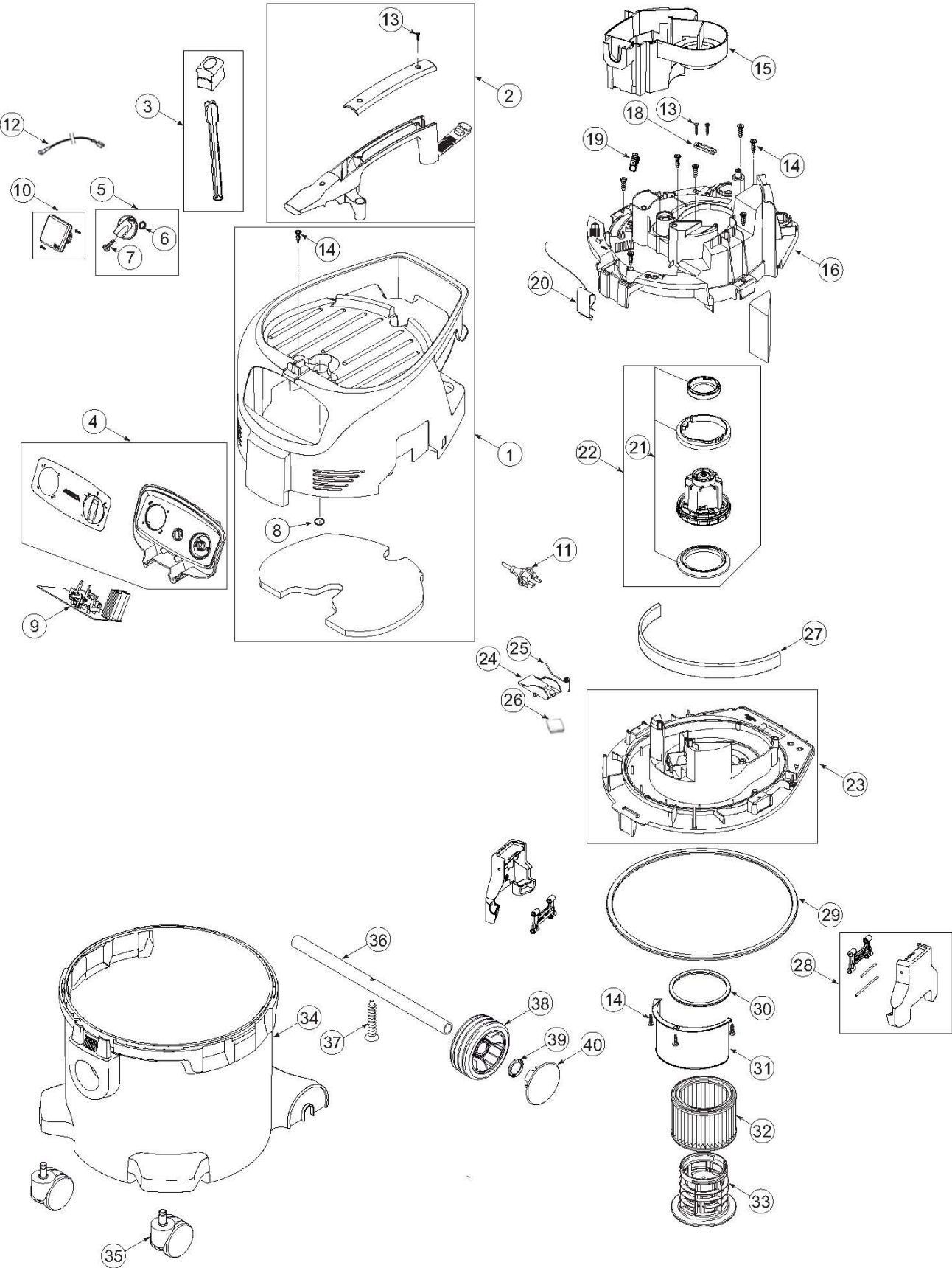


# Exploded view for Vacuum Cleaner 915/912

updated 16.3.2010



Pos	Code	QTY (pcs.)	Description	Model 912 / 915
1		1	COVER	
2	8999710111	1	HANDLE	
3		1	FILTER DEDUSTER	
4	8999710411	1	SWITCHBOARD	
5		1	ROTARY KNOB	
6		1	O-RING	
7		1	SCREW	
8		1	O-RING	
9	<b>8999701911</b>	1	AUTO ON-OFF SWITCH ELECTRONIC 230-240V	915
9		1	AUTO ON-OFF SWITCH ELECTRONIC 110-120V	912*
10		1	SOCKET ( EU )	915
10		1	SOCKET ( GB )	915
10		1	SOCKET ( GB 110V )	915
10		1	SOCKET ( US )	912
10		1	SOCKET ( AU )	915
11	8999711111	1	POWER CORD ( EU )	915
11		1	POWER CORD ( GB )	915
11		1	POWER CORD ( GB 110V )	915
11		1	POWER CORD ( US )	912
11		1	POWER CORD ( AU )	915
12		1	WIRE 1 X 150 220-240V	915
12		1	WIRE 2.5 X 250 100-120 V	912*
13		5	SCREW-SET 3.5X18	
14		13	SCREW-SET 5x18	
15		1	AIRGUIDE	
16		1	CLAMPINGPLATE	
17		1	SOUND INSULATION OUTLET **	
18		1	STRAP FOR CABLE	
19		1	DISTRIBUTION STRIP	
20		1	CONTACT SPRING	
21		1	SEALING ASSEMBLY	
22	<b>8999722211</b>	1	MOTOR ASSAMBLY( 230V)	915
22		1	MOTOR ASSAMBLY( 110-120V )	912*
23	8999702311	1	BASEPLATE	
24		1	FLAP	
26		1	SPRING	
26		1	PLUG BASE PLATE BASIC	
27		1	SOUND INSULATION FRONT	
28		2	CONTAINER CLAMP	
29		1	GASKET FOR CONTAINER	
30		1	GASKET FOR FILTER	
31		1	DEFLECTOR	
32	<b>8999600411</b>	1	FILTER	

33		1	FILTER SUPPORT CAGE
34		1	CONTAINER WITH FITTING
35	8999703511	2	CASTER
36		1	WHEEL AXLE
37		1	SCREW 5X35
38		2	WHEEL
39		2	RING
40		2	HUB CAP

\*

also used for MIRKA 915 GB 110V

\*\*

not shown