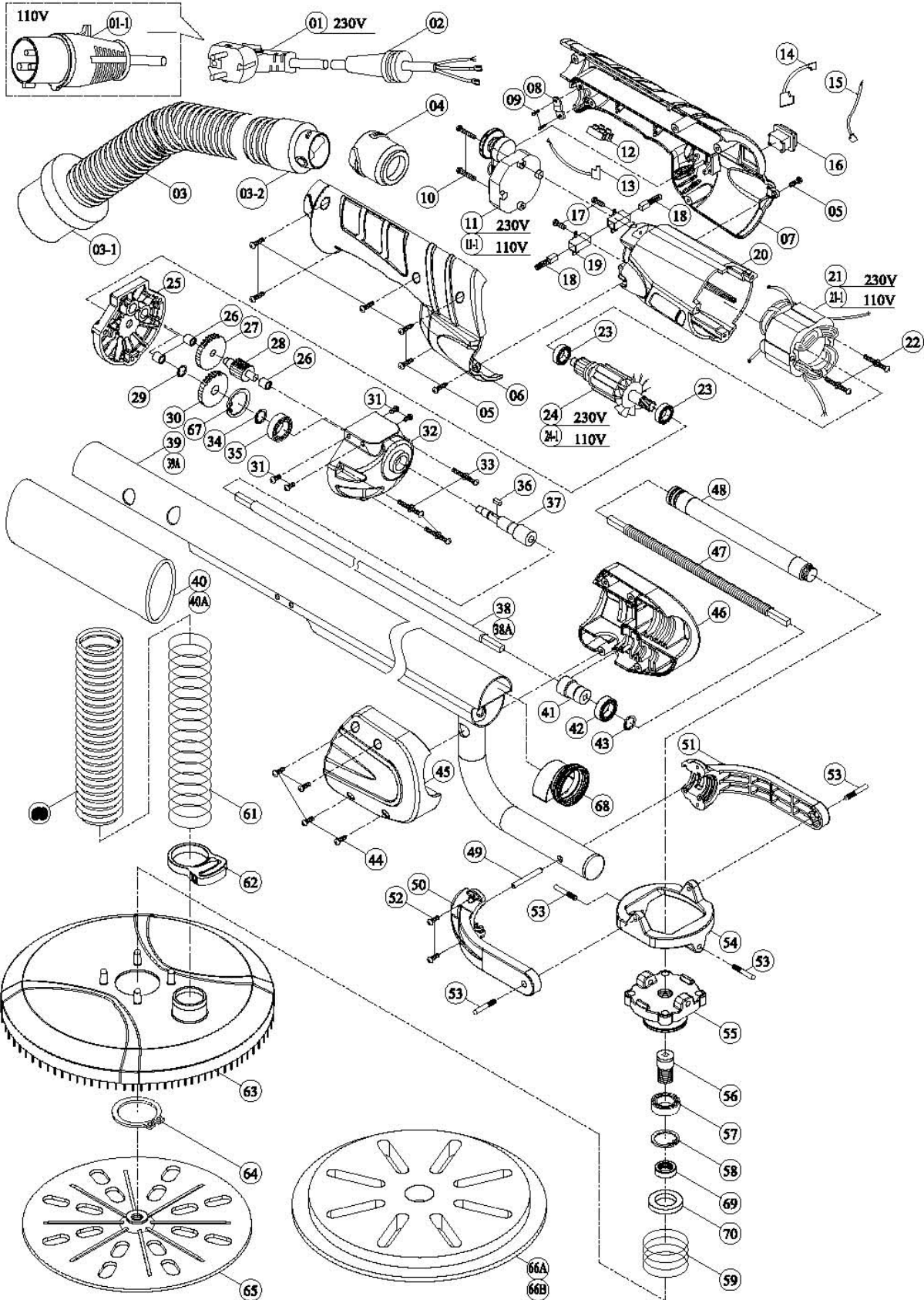


# Exploded view for MIRO 955 & 955-S



Code	Pos.	Description
8394010111	1	Power supply cable 230 V VDE 3C x 4 M
8394110111	1-1	POWER SUPPLY CABLE 230 V VDE 3C x 4 M
8394010211	2	Cord armor
<b>8394010311</b>	<b>3</b>	<b>Vacuum hose 4 M</b>
<b>8394020311</b>	<b>3-1</b>	<b>Vacuum hose connector kit</b>
	<b>3-2</b>	
<b>8394010411</b>	<b>4</b>	<b>Female bayonet swivel connector</b>
8394010511	5	Screw M4x16
8394010611	6	Right handle cover
8394010711	7	Left handle cover
8394010811	8	Cable clip
8394010911	9	Screw M4x14
8394011011	10	Screw M4x25
8394011111	11	Speed control unit 230 V
8394111111	11-1	Speed control unit 110 V
8394011211	12	Wire connector
8394011311	13	Wire leader
8394011411	14	Wire leader
8394011511	15	Wire leader
<b>8394021611</b>	<b>16</b>	<b>Motor switch kit (small + larger versions)</b>
8394011711	17	Screw M4x10
<b>8394021811</b>	<b>18</b>	<b>Carbon brush kit (2 pcs)</b>
8394011911	19	Carbon brush holder
8394012011	20	Motor housing
8394012111	21	Stator 230 V
8394112111	21-1	Stator 110 V
8394012211	22	Stator screw M4x50
8394012311	23	Ball bearing 608 2RS
8394012411	24	Armature 230 V
8394112411	24-1	Armature 110 V
8394012511	25	Gear plate
8394012611	26	Bushing 6x10x8
8394012711	27	Intermediate gear
8394012811	28	Intermediate gear pinion
8394012911	29	Internal circlip S-8
8394013011	30	Output gear
8394013111	31	Screw M5x10
8394013211	32	Gear case
8394013311	33	Screw w/washer M4x30
8394013411	34	Internal circlip S-10
8394013511	35	Ball bearing 6200 2RS
8394013611	36	Woodruff key 3x8
8394013711	37	Spindle
8394003811	38	First drive shaft 254 mm 955-S
8394013811	38 A	First drive shaft 704 mm 955
8394003911	39	Extension column 577,3 mm 955-S
8394013911	39 A	Extension column 1027,3 mm 955
8394004011	40	Foam handle grip 955-S
8394014011	40 A	Foam handle grip
8394014111	41	Shaft connector socket
8394014211	42	Ball bearing 6001 2RS
8394014311	43	Internal circlip S-12
8394014411	44	Screw M4x20
8394014511	45	Right drive cover
8394014611	46	Left drive cover
<b>8394024711</b>	<b>47</b>	<b>Drive cable kit</b>
	<b>48</b>	
8394014911	49	Holding pin 6x39
8394015011	50	Right fork

8394015111	51	Left fork
8394015211	52	Screw M4x8
<b>8394015311</b>	<b>53</b>	<b>Screw M5</b>
8394015411	54	Pivot frame
8394015511	55	Pivot connecting bracket
8394015611	56	Connecting spindle
<b>8394015711</b>	<b>57</b>	<b>Ball bearing 6002 2RS</b>
8394015811	58	External circlip R-32
8394015911	59	Spring 2x49x40Lx4T
	<b>60</b>	
<b>8394026011</b>	<b>61</b>	<b>Vacuum hose kit</b>
	<b>62</b>	
<b>8394016311</b>	<b>63</b>	<b>Sanding plate cover</b>
8394016411	64	Internal circlip S-40
<b>8394016511</b>	<b>65</b>	<b>Sanding plate base 225 mm 6 holes</b>
<b>8394018511</b>	<b>65</b>	<b>Sanding plate base 225 mm 16 holes</b>
<b>8394016611</b>	<b>66</b>	<b>Interface 225 mm 6+1 holes</b>
<b>8394018611</b>	<b>66 A</b>	<b>Interface 225 mm 8+1 holes, medium</b>
<b>8394018711</b>	<b>66 B</b>	<b>Interface 225 mm 8+1 holes, hard</b>
8394016711	67	External circlip R-30
8394016811	68	Dust guide
8394016911	69	Shaft race M14xØ20x6,5
8394017011	70	Radial shaft seal Ø20x Ø32x5
8394020011		Mirka carry bag for MIRO 955
<b>8394019911</b>		<b>Bail handle</b>
<b>8394018811</b>		<b>Hose protection device</b>
<b>8394040011</b>		<b>Harness</b>
<b>8394041011</b>		<b>Hook for harness</b>
<b>8394090011</b>		<b>Cardboard box for MIRO 955</b>
<b>8394290011</b>		<b>Cardboard box for MIRO 955-S</b>



