

ATTIX 5

Model:

ATTIX 550-01

ATTIX 550-11

ATTIX 550-21

ATTIX 560-21 XC

ATTIX 560-21 XC MOBILE

ATTIX 560-31 XC

ATTIX 590 CLEAN ROOM

ATTIX 590-21 EC



Stykliste Dansk

11-08-2011

Nilfisk
ALTO
works for you

www.nilfisk-alto.com

Indholdsfortegnelse

ATTIX 5

Cabinet 550-01, 12 GALLON	3
Cabinet 550-11, - 21, 12 - RFD	5
Cabinet 560-21 XC, 12 GALLON RDFD	7
Cabinet 560-31 XC, 12 GALLON AS/PE	9
Cabinet 590-21, EC 12 GALLON AS/E	11
Base, motor, filter 550-01, -11, -21, 12 GALLON	13
Base, motor 560-21 XC, -31 XC, 12 GALLON RDFD, 12	15
Filter, cleaning system 560-21 XC, -31 XC, 12 GALL	17
Base, motor, filter 590-21	19
Container 550-01, -11, -21, 12 GALLON, 12 GALLON	21
Container 560-21XC, -31XC, 12 GALLON AS/PE, 12 GAL	23
Container ATTIX 590-21, EC 12 GALLON AS/E	25
Handle 550-11 mobil	27
Accessories 550, 751	29
Accessories 560, 761, 763	31
Accessories 590, 791	33
ANBEFALEDE RESERVEDELE	35

Cabinet 550-01, 12 GALLON

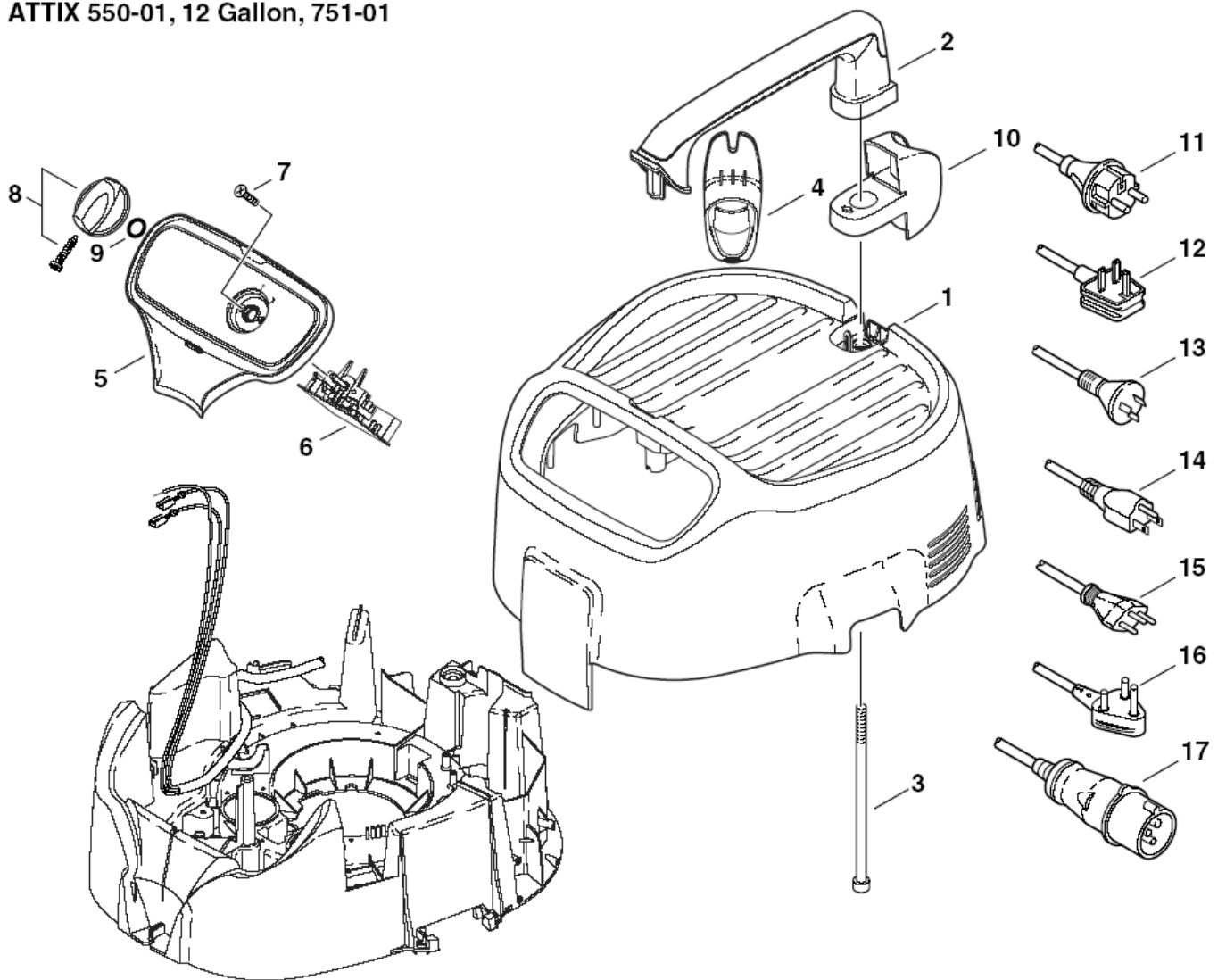
ATTIX 5

11-08-2011

StyMiste ID
ATTIX55002

3

ATTIX 550-01, 12 Gallon, 751-01



Cabinet 550-01, 12 GALLON

ATTIX 5

11-08-2011

StyMiste ID
ATTIX55002

4

Pos	Vare nr.	Ant	Beskrivelse		EAN
0	302000517	1	CARDBOARD BOX 570X487X710	not shown	4005337683
1	107402652	1	KABINET (TOP)		7319519682
2	107402650	1	HANDLE KIT		7319519682
3	909100084	2	SKRUE M6		4005337679
4	302000380	1	KABELHOLDER		4005337674
5	302000756	1	SWITCH BOX	550-1, 12 GALLON, 751-01	4005337020
6	302000825	1	ELECTRONIC SOFT START 100-	100-120V	4005337026
6	302000826	1	ELEKTRONIK	220-240V	4005337026
7	18274	2	SKRUE M4X12		4005337182
8	909100204	1	DREJEKNAP		4005337689
9	9868	1	O-RING 10.0X2.5		4005337098
10	302000382	1	RØRHOLDER	550-01, 12 GALLON	4005337674
11	302000430	1	POWER CORD H05RR-F 3G0.75X8.0	*EU*	4005337680
11	302000433	1	POWER CABLE DK	*DK*	4005337680
12	302000752	1	CORD SET H05RR-F 3G1.5X10.7-GB	*GB,230V*	4005337021
13	302000434	1	POWER CORD H05RR-F 3G0,7	*AU*	4005337681
14	302000435	1	POWER CORD SJTW-A AWG18/3X8.2M NEMA -US	JS*	4005337681
15	302000432	1	POWER CORD H05RR-F 3G0.75X8.2M SNV -CH	*CH*	4005337680
16	302000685	1	POWER CORD H05RR-F3G0,75	*ZA*	4005337690
17	107400574	1	CORD H05BQ-F 3G1.0 CEE GB 110	*GB*	7319519672

Cabinet 550-11, - 21, 12 - RFD

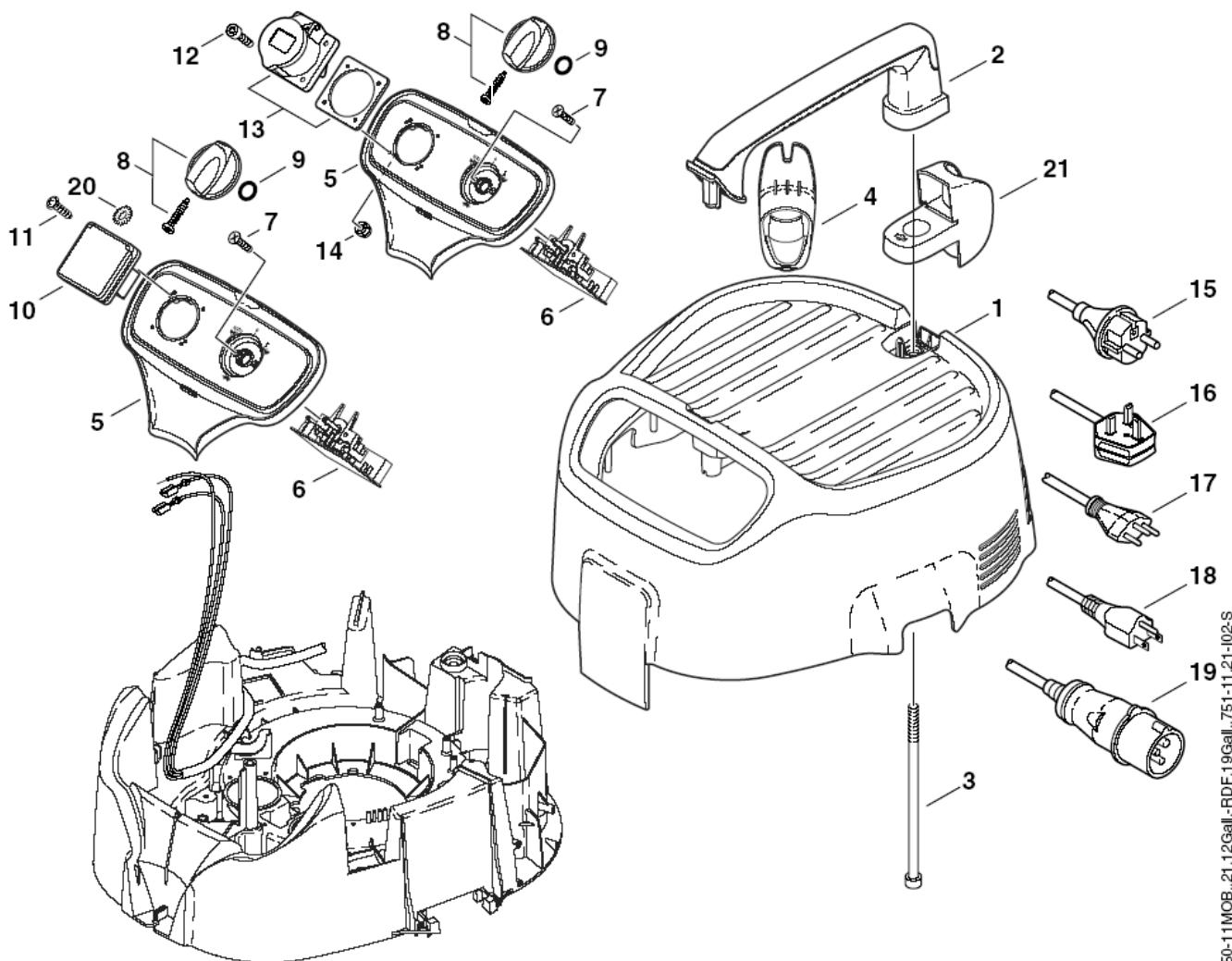
ATTIX 5

11-08-2011

StyMiste ID
ATTIX55004

5

ATTIX 550-11 MOBIL, 550-21, 12 Gallon RDF, 751-11, 751-21, 19 Gallon



550-11 MOB., 21, 12 Gall. - RDF, 19 Gall., 751-11, 21-102-S

Cabinet 550-11, - 21, 12 - RFD

ATTIX 5

11-08-2011

StyMiste ID
ATTIX55004

6

Pos	Vare nr.	Ant	Beskrivelse	EAN
1	107402652	1	KABINET (TOP)	7319519682
2	107402650	1	HANDLE KIT	7319519682
3	909100084	2	SKRUE M6	4005337679
4	302000380	1	KABELHOLDER	4005337674
5	302000757	1	SWITCH BOX	550-21, 751-21, 12GALL.RDF 4005337020
5	302001287	1	SWITCH BOX ATTIX 5-7	550-11 MOBIL,751-11, 19GALL. 4005337043
6	302000627	1	ELECTRONIC 110-120V SET1	100-120V, 12GALL.RDF 4005337687
6	302000628	1	ELEKTRONIK M. DREJEGREB	220-240V, 550-21, 751-21 4005337687
6	302000826	1	ELEKTRONIK	* SEE NOTE 4005337026
7	18274	2	SKRUE M4X12	4005337182
8	909100204	1	DREJEKNAP	4005337689
9	9868	1	O-RING 10.0X2.5	4005337098
10	302000683	1	STIKDÅSE	*DK* 4005337690
10	302004034	1	STIKDÅSE 16A/250V EU	*EU* 4005337147
10	302004336	1	SOCKET 13A/250V GB	*GB,230V* 7319519675
10	302004337	1	SOCKET 10A/250V CH	*CH* 7319519675
10	302004338	1	SOCKET 15A/125V US/CSA	*US* 7319519675
11	11256	2	SKRUE KA3,5X18	4005337112
12	50598	4	SCREW M5X20	*GB,110V* 4005337505
13	43238	1	SOCKET 2-POL.16A-4H/110-1 30V	*GB,110V* 4005337432
14	7417	4	MØTRIK M5	*GB,110V* 4005337074
15	302000437	1	KABEL	*EU* 4005337681
15	302000440	1	ELKABEL	*DK* 4005337681
16	302000752	1	CORD SET H05RR-F 3G1.5X10.7-GB	*GB,230V* 4005337021
17	302000439	1	P.CORD H05RR-F 3G1.0X8.2M -CH	*CH* 4005337681
18	302004332	1	POWER CORD US	*US* 7319519675
19	107400271	1	CORD H07BQ-F 3G2.5 GB	*GB,110V* 4005337153
20	4021	2	SPÆNDESKIVE	*US* 4005337040
21	302000382	1	RØRHOLDER	550-11 MOBIL 4005337674

* NOTE: 220-240V, 550-11 MOBIL, 751-11*EU*DK*CH*GB,230V*

Cabinet 560-21 XC, 12 GALLON RDFD

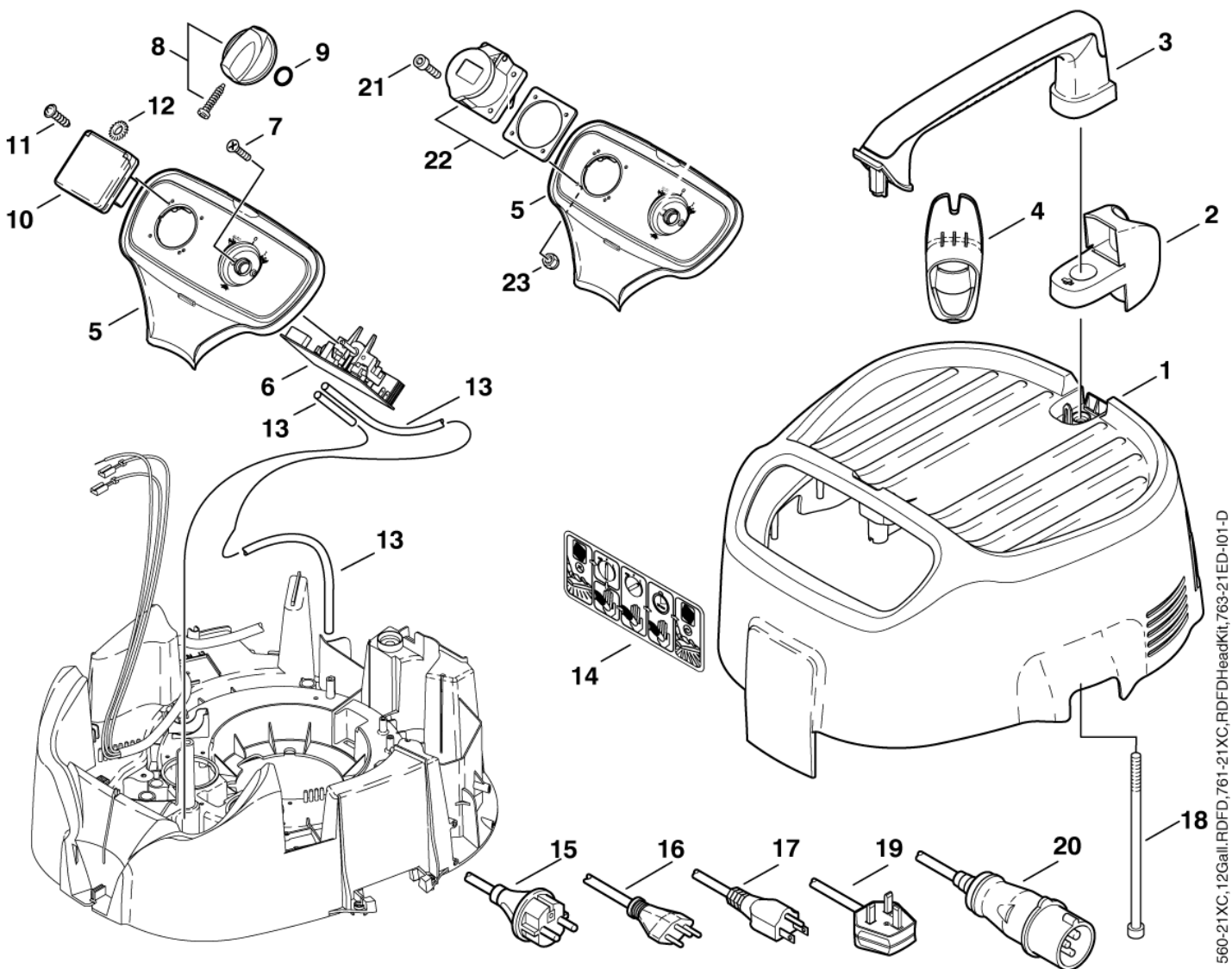
ATTIX 5

11-08-2011

StyMiste ID
ATTIX56002

7

ATTIX 560-21 XC, 12 Gallon RDFD, RDFD Head Kit, 761-21 XC, 763-21 ED



560-21XC, 12Gall. RDFD, 761-21XC, RDFD HeadKit, 763-21ED-I01-D

Cabinet 560-21 XC, 12 GALLON RDFD

ATTIX 5

11-08-2011

StyMiste ID
ATTIX56002

8

Pos	Vare nr.	Ant	Beskrivelse	EAN
1	107402652	1	KABINET (TOP)	7319519682
2	302000382	1	RØRHOLDER 560-21XC, 12GALLRDFD	4005337674
3	107402650	1	HANDLE KIT	7319519682
4	302000380	1	KABELHOLDER	4005337674
5	302000757	1	SWITCH BOX	4005337020
6	302000852	1	ELECTRONIC 120V SET1 100-120V	4005337028
6	302000853	1	PRINT 230V SÆT 220-240V	4005337028
7	18274	2	SKRUE M4X12	4005337182
8	909100204	1	DREJEKNAP	4005337689
9	9868	1	O-RING 10.0X2.5	4005337098
10	302000683	1	STIKDÅSE *DK*	4005337690
10	302004034	1	STIKDÅSE 16A/250V EU *EU*	4005337147
10	302004336	1	SOCKET 13A/250V GB *GB,230V*	7319519675
10	302004337	1	SOCKET 10A/250V CH *CH*	7319519675
10	302004338	1	SOCKET 15A/125V US/CSA *US*	7319519675
11	11256	2	SKRUE KA3,5X18	4005337112
12	4021	2	SPÆNDESKIVE *US*	4005337040
13	11379	1	HOSE Ø3X1,5 * SEE NOTE	4005337113
14	302000824	1	LABEL	4005337025
15	302000437	1	KABEL *EU*	4005337681
15	302000440	1	ELKABEL *DK*	4005337681
16	302000439	1	P.CORD H05RR-F 3G1.0X8.2M -CH *CH*	4005337681
17	302004332	1	POWER CORD US *US*	7319519675
18	909100084	2	SKRUE M6	4005337679
19	302000752	1	CORD SET H05RR-F 3G1.5X10.7-GB *GB,230V*	4005337021
20	107400271	1	CORD H07BQ-F 3G2.5 GB *GB,110V*	4005337153
21	50598	4	SCREW M5X20 *GB,110V*	4005337505
22	43238	1	SOCKET 2-POL.16A-4H/110-1 30V *GB,110V*	4005337432
23	7417	4	MØTRIK M5 *GB,110V*	4005337074

* NOTE: PLEASE INDICATE LENGTHS IN METRES WHEN ORDERING

Cabinet 560-31 XC, 12 GALLON AS/PE

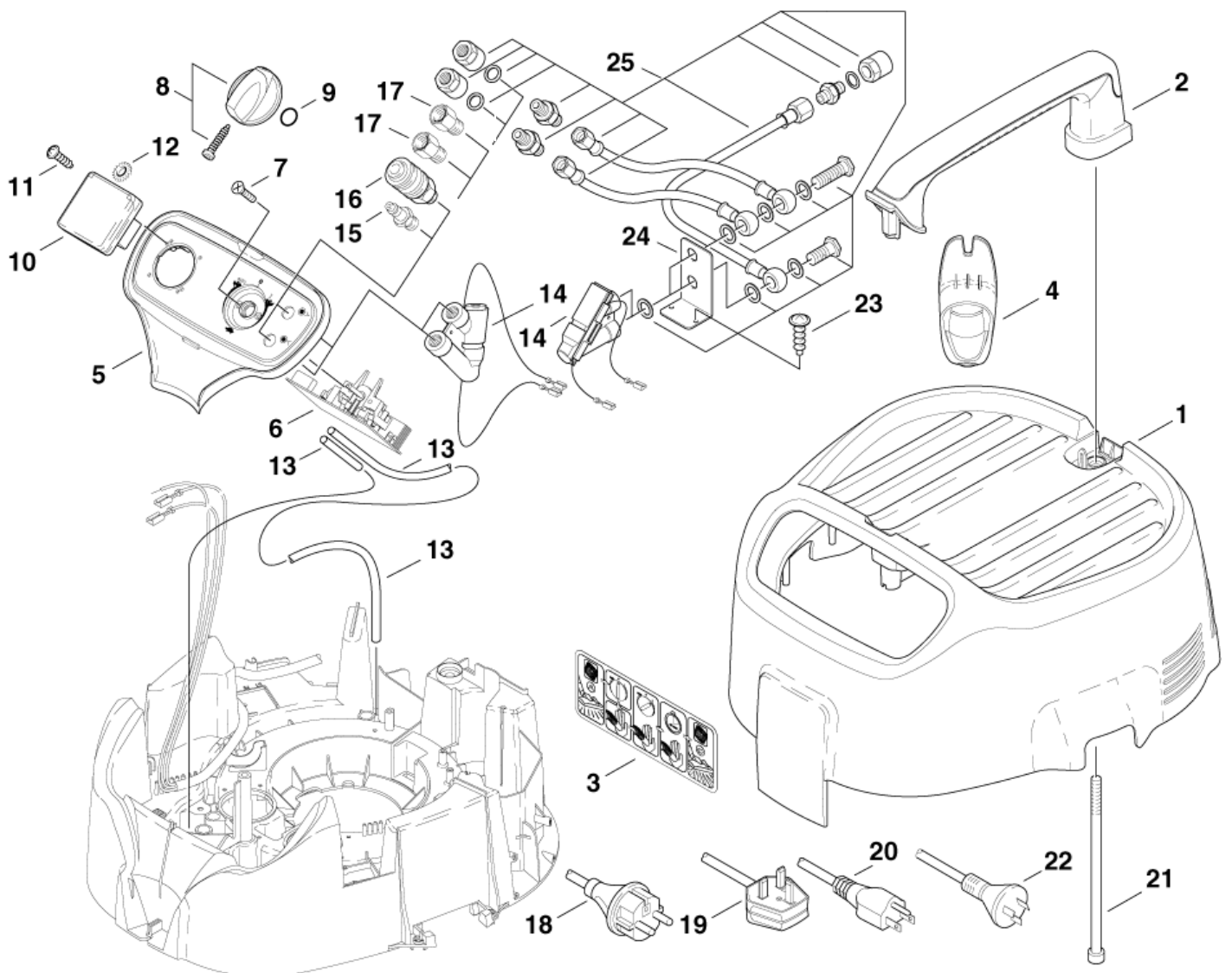
ATTIX 5

11-08-2011

StyMiste ID
ATTIX56004

9

ATTIX 560-31 XC, 12 Gallon AS/PE, 19 Gallon AS/PE 2



Cabinet 560-31 XC, 12 GALLON AS/PE

ATTIX 5

11-08-2011

StyMiste ID
ATTIX56004

10

Pos	Vare nr.	Ant	Beskrivelse		EAN
2	107402650	1	HANDLE KIT		7319519682
3	302000824	1	LABEL		4005337025
4	302000380	1	KABELHOLDER		4005337674
5	302000758	1	SWITCH BOX -31 ATTIX 5	560-31XC, 12GALLON AS/PE	4005337020
5		1	SWITCH BOX	19GALLON AS/PE2	4005337067
6	302000852	1	ELECTRONIC 120V SET1	100-120V	4005337028
6	302000853	1	PRINT 230V SÆT	220-240V	4005337028
7	18274	2	SKRUE M4X12		4005337182
8	909100204	1	DREJEKNAP		4005337689
9	9868	1	O-RING 10.0X2.5		4005337098
10	302001185	1	SOCKET	*AU*	4005337041
10	302004034	1	STIKDÅSE 16A/250V EU	*EU*	4005337147
10	302004336	1	SOCKET 13A/250V GB	*GB,230V*	7319519675
10	302004338	1	SOCKET 15A/125V US/CSA	*US*	7319519675
11	11256	2	SKRUE KA3,5X18		4005337112
12	4021	2	SPÆNDESKIVE	*US*	4005337040
13	11379	1	HOSE Ø3X1,5		4005337113
14	60392	1	FLOW SENSOR		4005337603
15	14809	1	OVERGANG	560-31XC	4005337148
16	14808	1	NIPPEL	560-31XC	4005337148
17	25437	2	NIPPLE G1/4-R1/4	12GALLON AS/PE	4005337254
18	302000437	1	KABEL	*EU*	4005337681
19	302000752	1	CORD SET H05RR-F 3G1.5X10.7-GB	*GB,230V*	4005337021
20	302004332	1	POWER CORD US	*US*	7319519675
21	909100084	2	SKRUE M6		4005337679
22	302004333	1	POWER CORD AU	*AU*	7319519675
23		2	SKRUE KA3,5X8	19GALLON AS/PE2	4005337247
24		1	ANGLE 1.5 100X70X40X32.5 ST	19GALLON AS/PE2	4005337070
25		1	LUFT MANIFOLD	19GALLON AS/PE2	4005337070

Cabinet 590-21, EC 12 GALLON AS/E

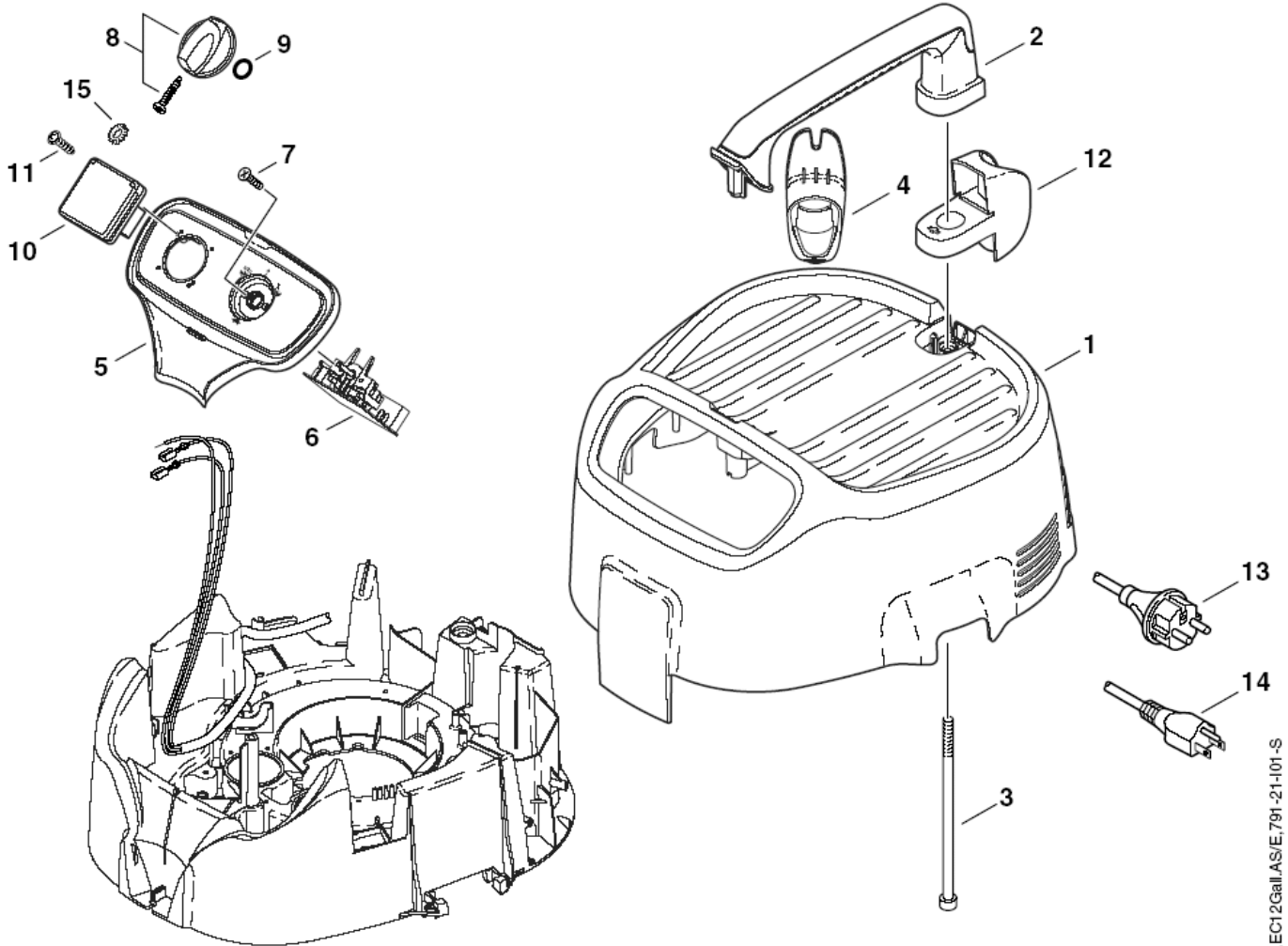
ATTIX 5

11-08-2011

StyMiste ID
ATTIX59002

11

ATTIX 590-21, EC 12 Gallon AS/E, 791-21



590-21, EC12Gall, AS/E, 791-21-101-S

Cabinet 590-21, EC 12 GALLON AS/E

ATTIX 5

11-08-2011

StyMiste ID

ATTIX59002

12

Pos	Vare nr.	Ant	Beskrivelse	EAN
1	107402652	1	KABINET (TOP)	7319519682
2	107402650	1	HANDLE KIT	7319519682
3	909100084	2	SKRUE M6	4005337679
4	302000380	1	KABELHOLDER	4005337674
5	302000757	1	SWITCH BOX	4005337020
6	302001424	1	ELECTRONIC EA.W.SPEED EC	EC 12GALLON AS/E 4005337055
6	302001425	1	ELECTRONIC EA.W.SPEED EC	590-21, 791-21 4005337054
7	18274	2	SKRUE M4X12	4005337182
8	909100204	1	DREJEKNAP	4005337689
9	9868	1	O-RING 10.0X2.5	4005337098
10	302004034	1	STIKDÅSE 16A/250V EU	*EU* -590-21, 791-21 4005337147
10	302004338	1	SOCKET 15A/125V US/CSA	*US* -EC 12GALLON AS/E 7319519675
11	11256	2	SKRUE KA3,5X18	4005337112
12	302000382	1	RØRHOLDER	590-21, EC 12GALLON AS/E 4005337674
13	302000437	1	KABEL	*EU* -590-21, 791-21 4005337681
14	302004332	1	POWER CORD US	*US* -EC 12GALLON AS/E 7319519675
15	4021	1	SPÆNDESKIVE	4005337040

Base, motor, filter 550-01, -11, -21, 12 GALLO

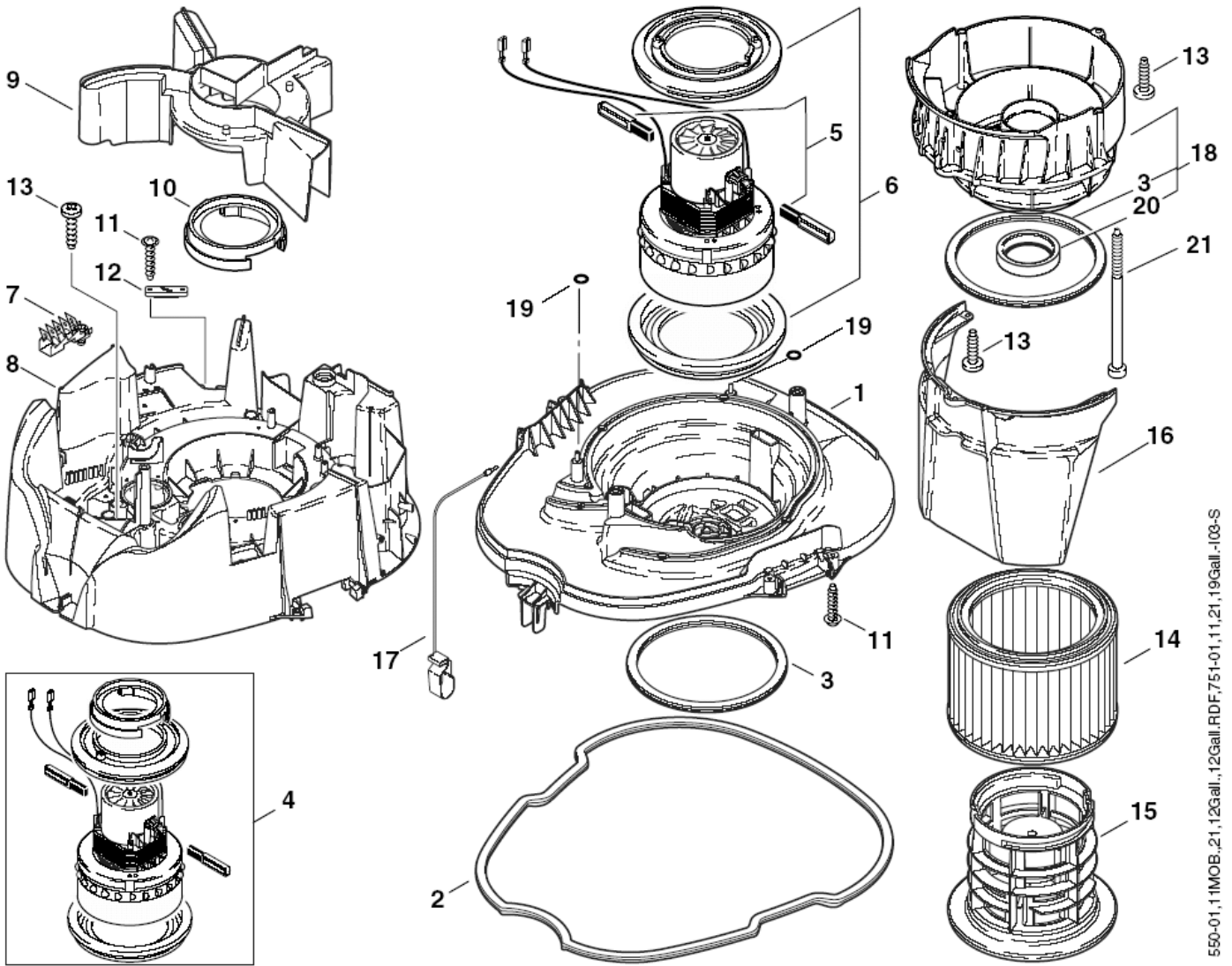
ATTIX 5

11-08-2011

StyMiste ID
ATTIX55008

13

ATTIX 550-01, 550-11 MOBIL, 550-21, 12 Gallon, 12 Gallon RDF, 751-01, 751-11, 751-21, 19 Gallon



550-01,11MOB.,21,12Gall.,12Gall.RDF,751-01,11,21,19Gall.-103-S

Base, motor, filter 550-01, -11, -21, 12 GALLO

ATTIX 5

11-08-2011

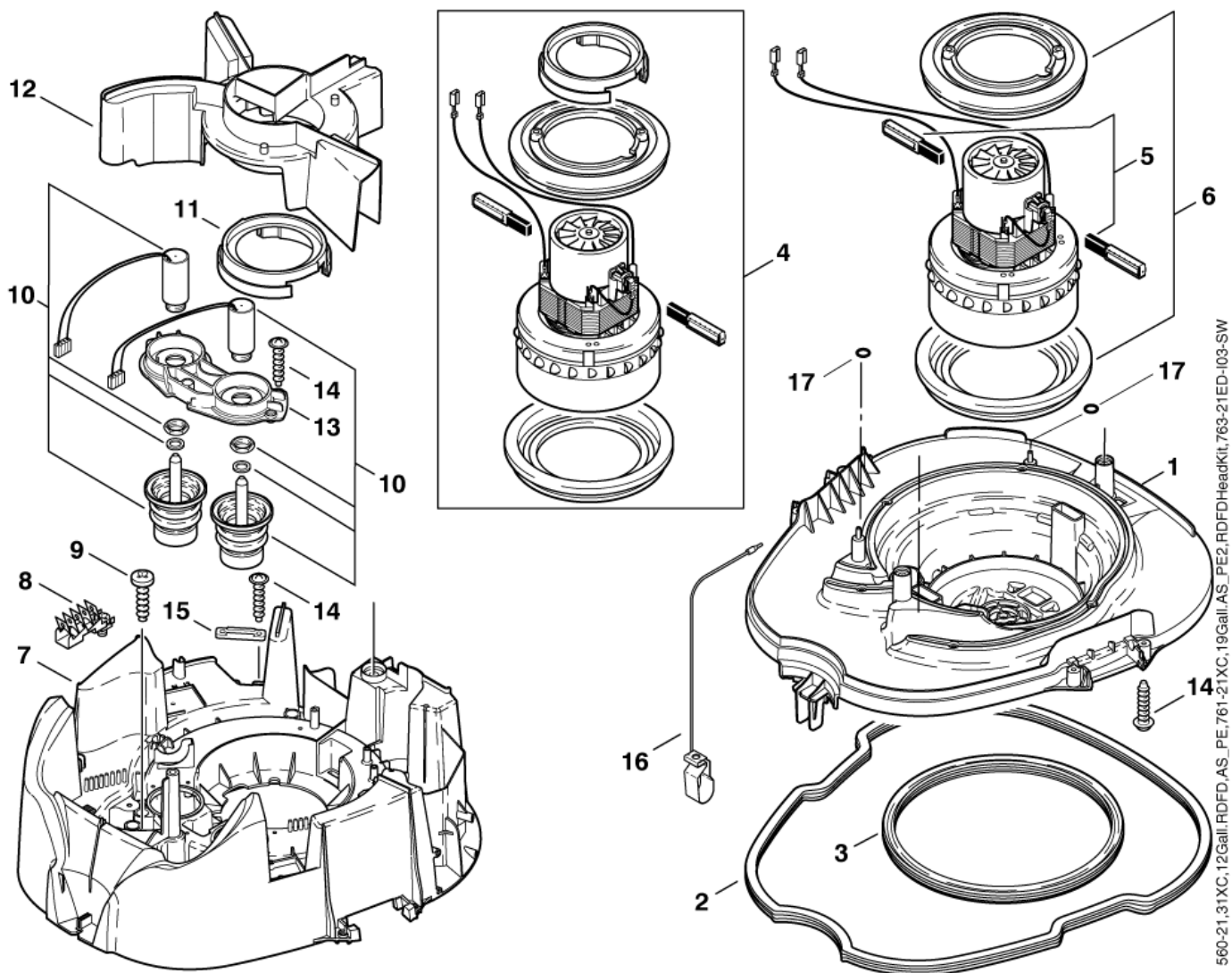
StyMiste ID
ATTIX55008

14

Pos	Vare nr.	Ant	Beskrivelse	EAN
1	302000372	1	PLADE ATTIX 5	4005337674
2	302000637	1	TÆTNING F. BEHOLDER ATTIX	4005337687
3	302000460	1	TÆTNING F. FILTER ATTIX	4005337136
4	26783	1	MOTOR 100V 1200W	100V/1200W 4005337267
4	26784	1	MOTOR 120V 1200W	110-120V/1200W 4005337267
4	26785	1	MOTOR 120V 1000W	120V/1000W 4005337267
4	49594	1	MOTOR 220V SQ	220-240V/1200W 7319519675
5	26774	1	KULSÆT "M"	FOR IDENTIF.LETTER "M" 4005337267
5	26775	1	KULSÆT "L"	FOR IDENTIF.LETTER "L" 4005337267
5	49625	1	KULSÆT "C"	FOR IDENTIF. LETTER "C" 4005337496
6	28875	1	MOTORPAKNINGSSÆT "L"+"M"	FOR IDENTIF.LETTER "L"+"M" 4005337288
6	29205	1	MOTOR BEARING RING SET	FOR IDENTIF. LETTER "L"+"M" 4005337292
6	42538	1	MOTORPAKNINGSSÆT "C"	FOR IDENTIF. LETTER "C" 4005337425
6	61167	1	MOTORPAKNING	FOR IDENTIF. LETTER "C" 4005337611
7	302000755	1	FORDELERSTIK	* SEE NOTE 4005337021
8	302000371	1	SPÆNDPLADE	4005337674
9	302000373	1	LUFTFORDELER ATTIX 5	4005337674
10	47035	1	COLLAR 55 SHORE A EPDM	12GALL., 12GALL. RDF, 19GALL. 4005337470
10	47036	1	GUMMIPAKNING	4005337470
11	11256	6	SKRUE KA3,5X18	4005337112
12	5697	1	LASKE	4005337056
13	909100138	10	SKRUE	4005337023
14	11753	1	FILTER AERO/SQ 550/SQ 650	*ZA* 4005337117
14	302000490	1	FILTER ELEMENT ATTIX 3-5	4005337682
15	107402646	1	FILTER SUPPORT CAGE ATTIX PP	7319519682
16	302000379	1	BESKYTTELSESPLADE	4005337674
17	302000823	1	Contact spring 41,8x14 as br	*GB,230V* 4005337025
17	61174	1	JORDKABEL	4005337611
18	302001641	1	Adapter base plate/filter	751-01, 751-11, 751-21, 19GALL. 4005337069
19	62359	2	PAKNING	4005337623
20	302001546	1	PAKNING	751-01, 751-11, 751-21, 19GALL. 4005337068
21	909100196	3	SCREW 5X90	751-01, 751-11, 751-21, 19GALL. 4005337056

* NOTE: 550-01, 550-11MOB., 550-21*GB,110V*, 12GALL., 751-01, 751-11*GB,110V*, 19GALL.

ATTIX 560-21 XC, 560-31 XC, 12Gallon RDFD, 12Gallon AS/PE, RDFD Head Kit, 761-21 XC, 19Gallon AS/PE2, 763-21 ED



560-21,31XC,12Gall.RDFD,AS_PE,761-21XC,19Gall,AS_PE2,RDFD-HeadKit,763-21ED-103-SW

Base, motor 560-21 XC, -31 XC, 12 GALLON RDF

ATTIX 5

11-08-2011

StyMiste ID
ATTIX56006

16

Pos	Vare nr.	Ant	Beskrivelse	EAN
1	302000511	1	PLADE	4005337021
2	302000637	1	TÆTNING F. BEHOLDER ATTIX	4005337687
3	302000697	1	GASKET FILTER	4005337690
4	26784	1	MOTOR 120V 1200W	110-120V/1200W 4005337267
4	49594	1	MOTOR 220V SQ	220-240V/1200W 7319519675
4		1	E-MOTOR 230V/1400 W	763-21 ED 4005337620
5	26774	1	KULSÆT "M"	FOR IDENTIF.LETTER "M" 4005337267
5	26775	1	KULSÆT "L"	FOR IDENTIF.LETTER "L" 4005337267
5	49625	1	KULSÆT "C"	FOR IDENTIF.LETTER "C" 4005337496
6	28875	1	MOTORPAKNINGSSÆT "L"+"M"	FOR IDENTIF.LETTER "L"+"M" 4005337288
6	29205	1	MOTOR BEARING RING SET	FOR IDENTIF.LETTER "L"+"M" 4005337292
6	42538	1	MOTORPAKNINGSSÆT "C"	FOR IDENTIF. LETTER "C" 4005337425
6	61167	1	MOTORPAKNING	FOR IDENTIF. LETTER "C" 4005337611
7	107402639	1	MONTERINGSPLADE	7319519682
8	302000755	1	FORDELERSTIK	4005337021
9	909100138	6	SKRUE	4005337023
10	107402635	2	ELECTROMAGNET 24V KIT	FOR 220-240V 7319519682
10	302000217	2	ELECTROMAGNET 12V	FOR 100-120V 4005337673
11	47036	1	GUMMIPAKNING	4005337470
12	302000373	1	LUFTFORDELER ATTIX 5	4005337674
13	302000388	1	Frame 190x90x18 PP	4005337020
14	11256	11	SKRUE KA3,5X18	4005337112
15	5697	1	LASKE	4005337056
16	302000823	1	Contact spring 41,8x14 as br	*GB,230V* 4005337025
16	61174	1	JORDKABEL	4005337611
17	62359	2	PAKNING	4005337623

Filter, cleaning system 560-21 XC, -31 XC, 12 G

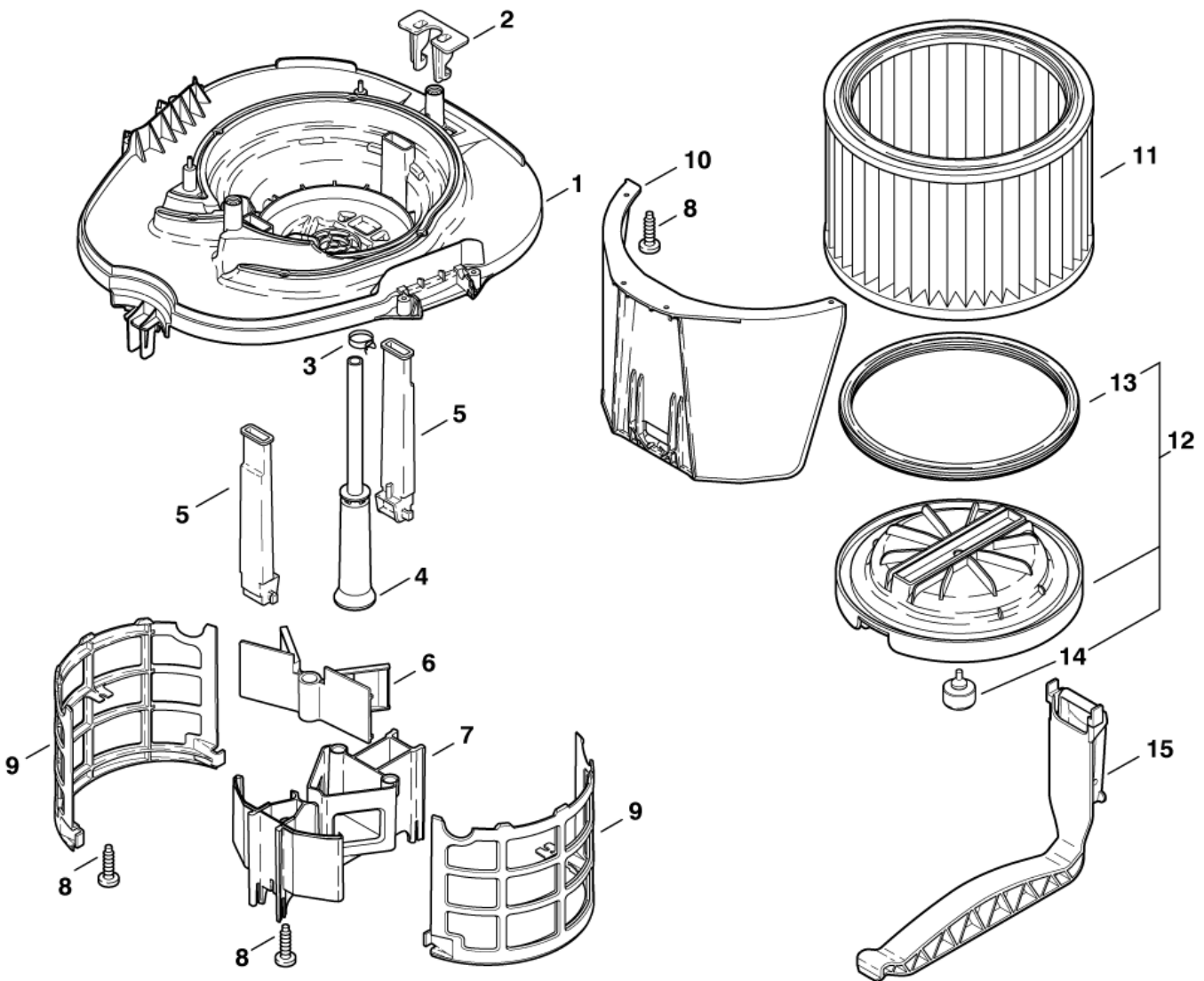
ATTIX 5

11-08-2011

StyMiste ID
ATTIX56008

17

ATTIX 560-21 XC, 560-31 XC, 12Gallon RFD, 12Gallon AS/PE, RFD Head Kit, 761-21 XC, 19Gallon AS/PE2, 763-21 ED



560-21,31XC,12Gall.RFD,AS_PE,761-21XC,19Gall.AS_PE2,RFDHeadKit,763-21ED-104-S

Filter, cleaning system 560-21 XC, -31 XC, 12 G

ATTIX 5

11-08-2011

StyMiste ID

ATTIX56008

18

Pos	Vare nr.	Ant	Beskrivelse	EAN
1	302000511	1	PLADE	4005337021
2	302000512	1	KROG F.FILTERHOLDER ATTIX	4005337020
3	909100137	1	BAND CLAMP FITTING 19	4005337021
4		1	HOSE D40X396	* SEE NOTE 4005337059
4	303000516	1	SLANGE	** SEE NOTE 4005337023
5	302000514	2	PAKNING	4005337023
6	302000387	1	FLAP	4005337020
7	302000386	1	LUFTKANAL	4005337021
8	909100138	9	SKRUE	4005337023
9	302000385	2	FILTERHUS	4005337020
10	107402640	1	DEFLECTOR 318X180X212 KIT	7319519682
11	302000751	1	FILTERELEMENT L+M SET	4005337020
12	107402653	1	BUNDPLADE F/FILTER	7319519682
13	302000697	1	GASKET FILTER	4005337690
14	302000515	1	PLUG	4005337023
15	107402651	1	TENSION JACK	7319519682

** NOTE: 560-21XC, 560-31XC, 12GALL.RDFD,, 12GALL.AS/PE

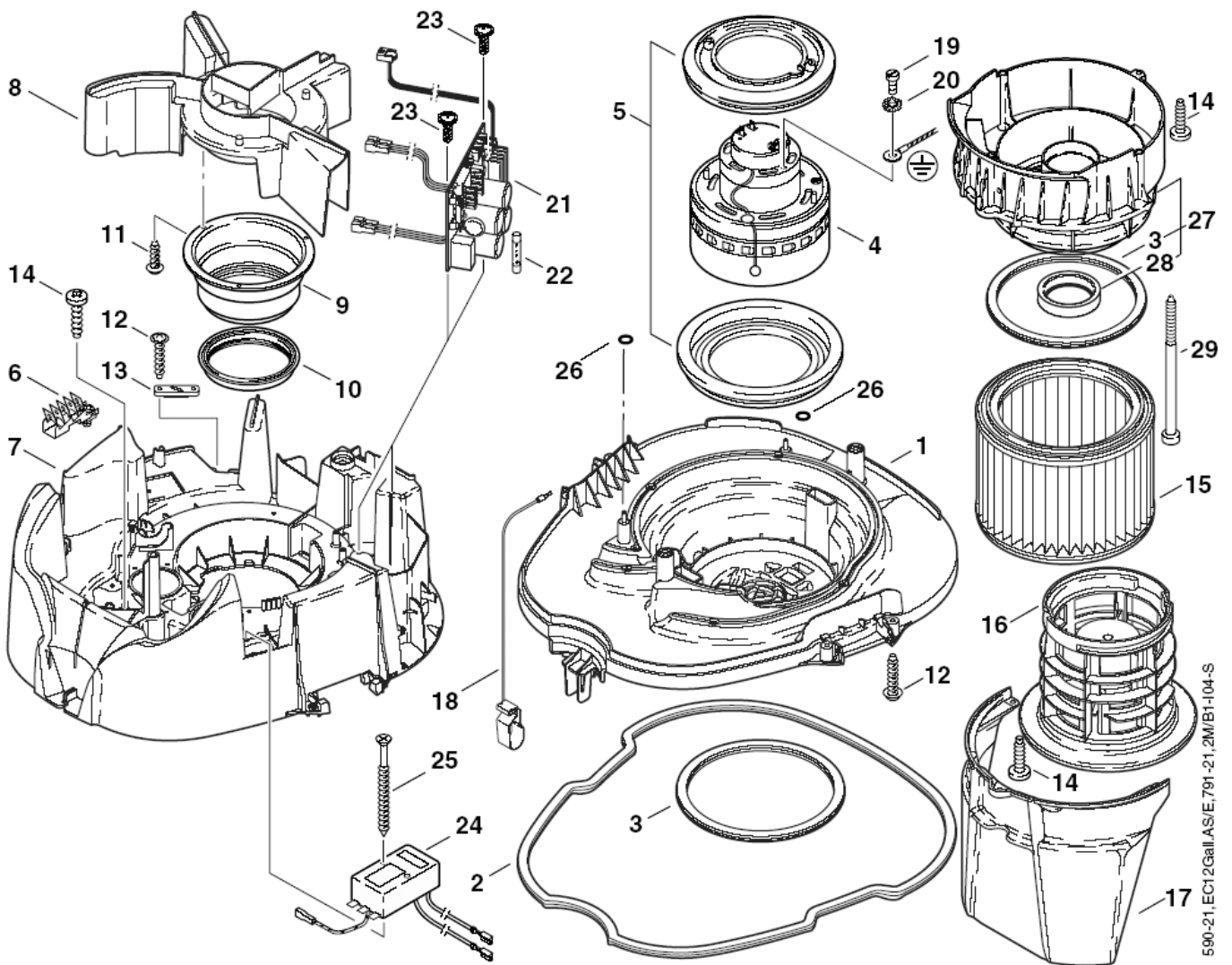
Base, motor, filter 590-21

ATTIX 5

11-08-2011

StyMiste ID
ATTIX59008

19



590-21, EC12Gall AS/E, 791-21, 2M/B1-104-S

Base, motor, filter 590-21

ATTIX 5

11-08-2011

StyMiste ID
ATTIX59008

20

Pos	Vare nr.	Ant	Beskrivelse	EAN	
1	302000372	1	PLADE ATTIX 5	4005337674	
2	302000637	1	TÆTNING F. BEHOLDER ATTIX	4005337687	
3	302000460	1	TÆTNING F. FILTER ATTIX	4005337136	
4	107402629	1	MOTOR TURBINE 1000W 100/120V	EC 12GALLON AS/E, 791-2M/B1*GB,110V*	7319519682
4	60561	1	SUGEMOTOR 220-240V 1200W	590-21, 791-21,, 791-2M/B1*EU*GB,230V*	4005337605
5	61167	1	MOTORPAKNING		4005337611
6	302000755	1	FORDELERSTIK		4005337021
7	302000371	1	SPÆNDPLADE	590-21, EC 12GALLON AS/E, 791-21	4005337674
7		1	STØTTEPLADE ATTIX 550	791-2M/B1	4005337043
8	302000373	1	LUFTFORDELER ATTIX 5		4005337674
9	60877	1	BRACKET		4005337608
10	47364	1	PACKING RING 108X86X18		4005337473
11	11254	3	SKRUE KA3,5X10		4005337112
12	11256	6	SKRUE KA3,5X18		4005337112
13	5697	1	LASKE		4005337056
14	909100138	9	SKRUE		4005337023
15	302000490	1	FILTER ELEMENT ATTIX 3-5		4005337682
16	107402646	1	FILTER SUPPORT CAGE ATTIX PP		7319519682
17	302000379	1	BESKYTTELSESPLADE		4005337674
18	61174	1	JORDKABEL		4005337611
19	6163	1	CYLINDER SCREW M4X12 ISO 1207 ZN		4005337061
20	4021	1	SPÆNDESKIVE		4005337040
21	302000833	1	ELECTRONICS EC-3 230V SET	590-21, 791-21, 791-2M/B1*EU*GB,230V*	4005337035
21	302001430	1	ELECTRONIC EC 110V SET-1	EC 12GALLON AS/E, 791-2M/B1*GB,110V*	4005337055
22	48333	1	SIKRING 10A	590-21, 791-21, 791-2M/B1*EU*GB,230V*	4005337483
22	65058	1	FINE-WIRE FUSE	EC 12GALLON AS/E, 791-2M/B1*GB,110V*	4005337650
23	10028	2	SKRUE		4005337100
24	107402619	1	SCREENING FILTER KIT	590-21, 791-21, 791-2M/B1*EU*GB,230V*	7319519682
24	64937	1	SCREENING FILTER	EC 12GALLON AS/E, 791-2M/B1*GB,110V*	4005337649
25	11255	2	SCREW 3.5X30		4005337112
26	62359	2	PAKNING		4005337623
27		1	Adapter base plate/filter	791-21, 791-2M/B1	4005337069
28		1	PAKNING	791-21, 791-2M/B1	4005337068
29		3	SCREW 5X90	791-21, 791-2M/B1	4005337056

Container 550-01, -11, -21, 12 GALLON, 12 GAL

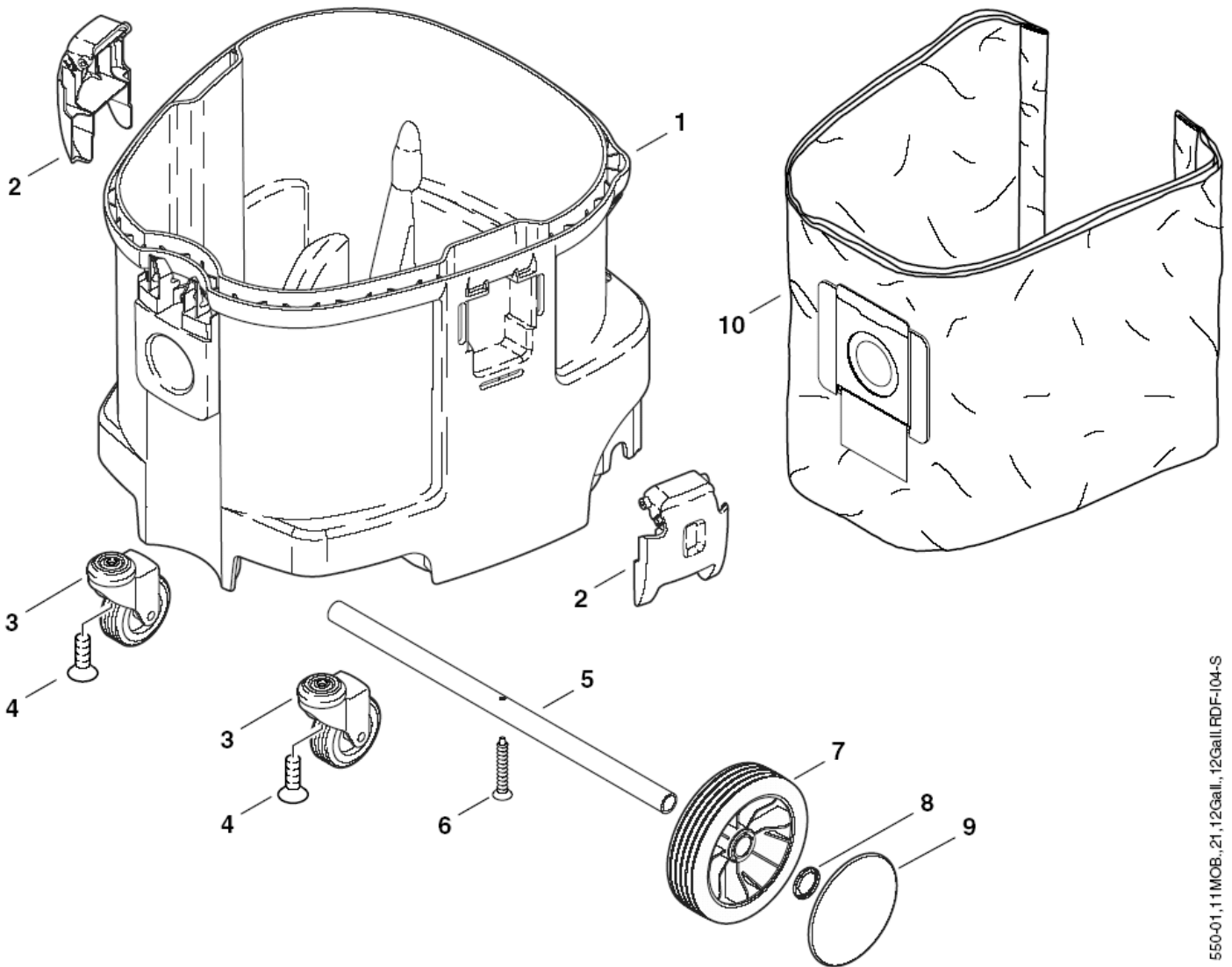
ATTIX 5

11-08-2011

StyMiste ID
ATTIX55012

21

ATTIX 550-01, 550-11 MOBIL, 550-21, 12 Gallon, 12 Gallon RDF



550-01,11MOB.,21,12Gall.,12Gall.RDF-104-S

Container 550-01, -11, -21, 12 GALLON, 12 GAL ATTIX 5

11-08-2011

StyMiste ID

ATTIX55012

22

Pos	Vare nr.	Ant	Beskrivelse	EAN
1	302000696	1	BEHOLDER ATTIX 5	4005337690
2	302000349	2	LUKKECLAMP	4005337674
3	302000682	2	HJUL ATTIX 5	4005337690
4	909100164	2	SKRUE	4005337036
5	107402649	1	AXLE 20X1.5X440	7319519682
6	909100085	1	SKRUE	4005337679
7	302000639	2	HJUL Ø150	4005337687
8	47302	2	LÅSESKIVE	4005337473
9	302000701	2	NAVKAPSEL	4005337690
10	302000527	1	FILTERPOSER ATTIX 5	4005337683

Container 560-21XC, -31XC, 12 GALLON AS/PE, 1

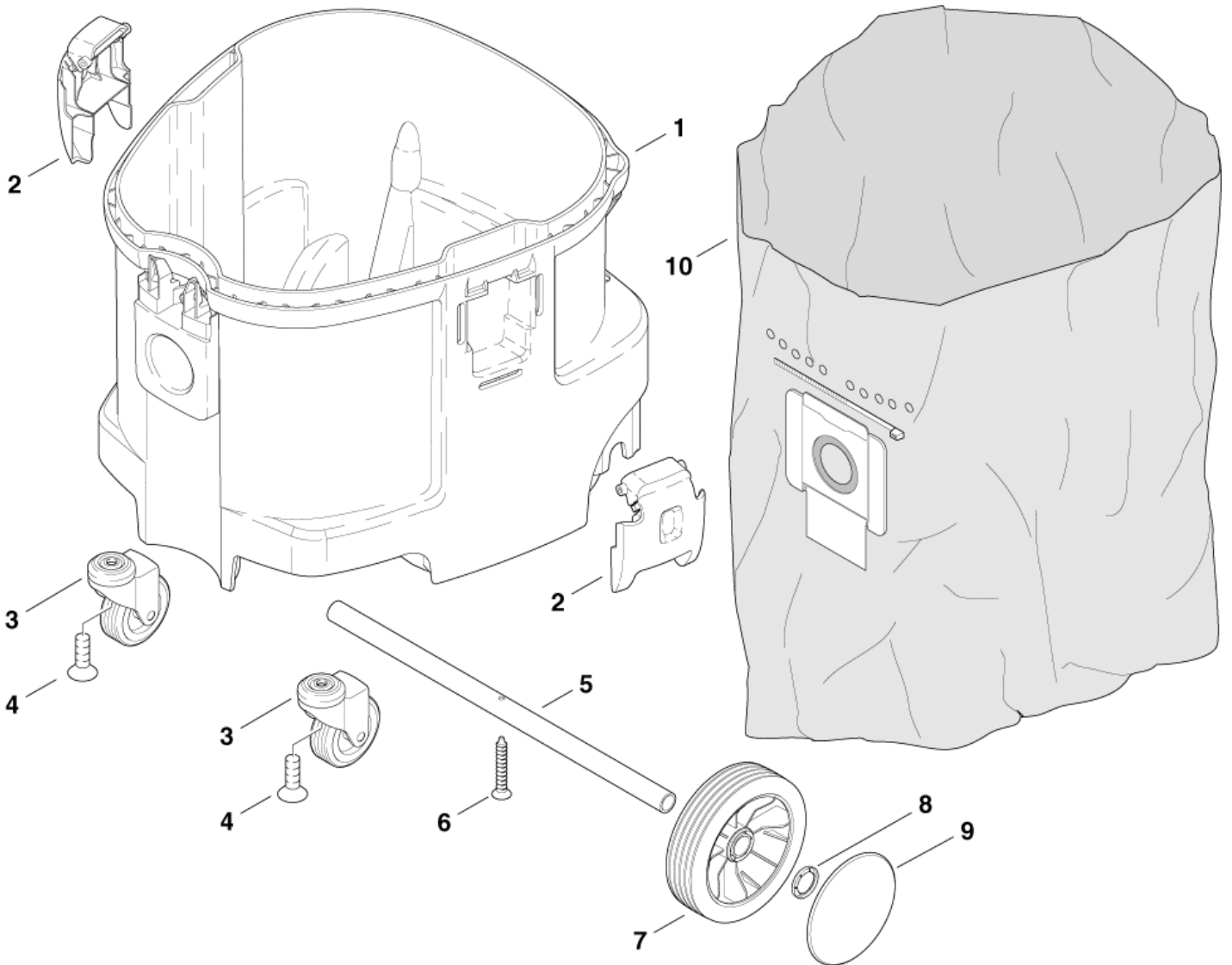
ATTIX 5

11-08-2011

StyMiste ID
ATTIX56010

23

ATTIX 560-21 XC, 560-31 XC, 12Gallon RDFD, 12Gallon AS/PE



Container 560-21XC, -31XC, 12 GALLON AS/PE, 1

11-08-2011

ATTIX 5

StyMiste ID

ATTIX56010

24

Pos	Vare nr.	Ant	Beskrivelse	EAN
1	302000696	1	BEHOLDER ATTIX 5	4005337690
2	302000349	2	LUKKECLAMP	4005337674
3	302000682	2	HJUL ATTIX 5	4005337690
4	909100164	2	SKRUE	4005337036
5	107402649	1	AXLE 20X1.5X440	7319519682
6	909100085	1	SKRUE	4005337679
7	302000639	2	HJUL Ø150	4005337687
8	47302	2	LÅSESKIVE	4005337473
9	302000701	2	NAVKAPSEL	4005337690
10	302000728	1	PLASTPOSE, ÅBEN FOR ATTIX	4005337027

Container ATTIX 590-21, EC 12 GALLON AS/

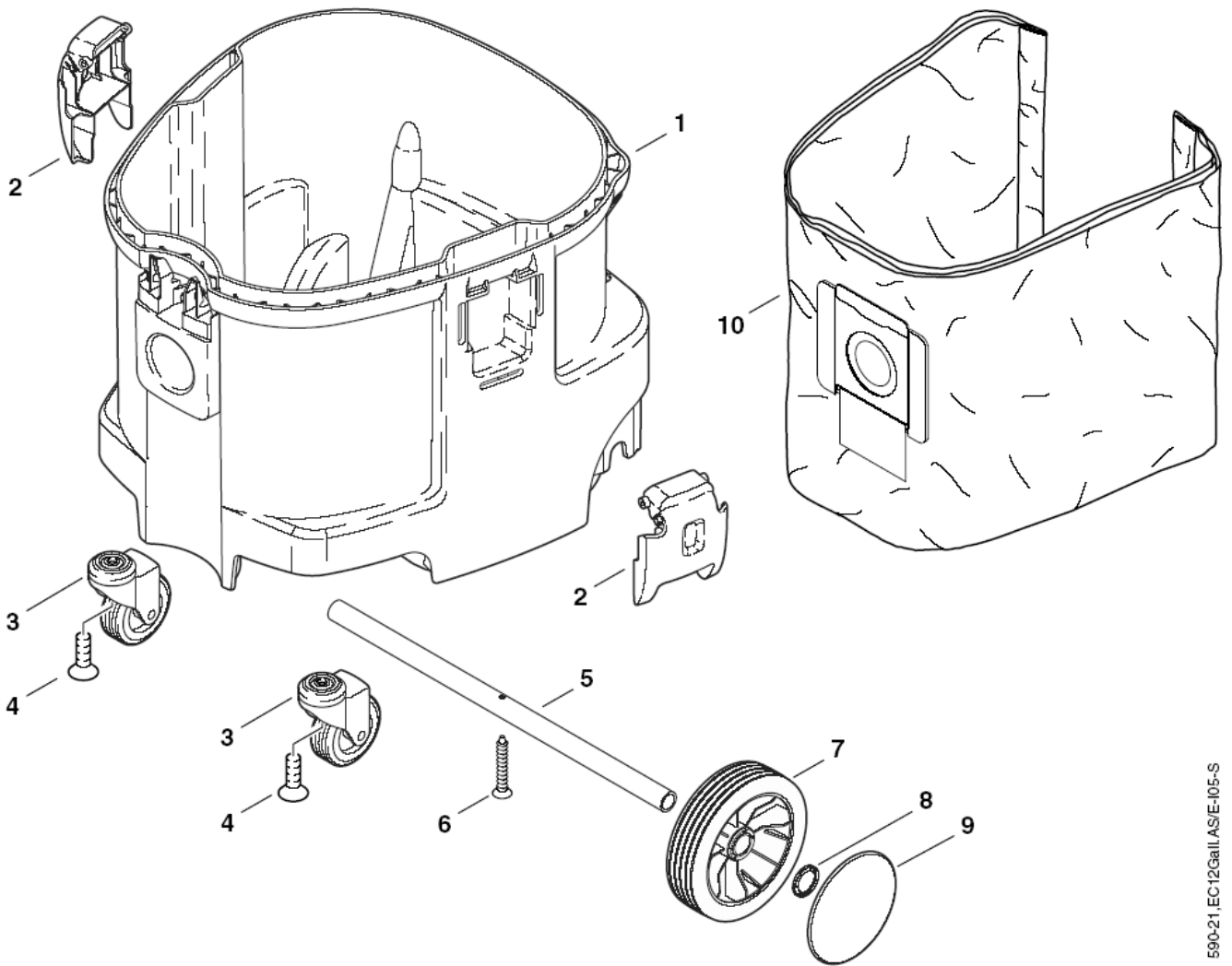
ATTIX 5

11-08-2011

StyMiste ID
ATTIX59010

25

ATTIX 590-21, EC 12 Gallon AS/E



Container ATTIX 590-21, EC 12 GALLON ASI/ ATTIX 5

11-08-2011

StyMiste ID

ATTIX59010

26

Pos	Vare nr.	Ant	Beskrivelse	EAN
1	302000696	1	BEHOLDER ATTIX 5	4005337690
2	302000349	2	LUKKECLAMP	4005337674
3	302000682	2	HJUL ATTIX 5	4005337690
4	909100164	2	SKRUE	4005337036
5	107402649	1	AXLE 20X1.5X440	7319519682
6	909100085	1	SKRUE	4005337679
7	302000639	2	HJUL Ø150	4005337687
8	47302	2	LÅSESKIVE	4005337473
9	302000701	2	NAVKAPSEL	4005337690
10	302000527	1	FILTERPOSER ATTIX 5	4005337683

Handle 550-11 mobil

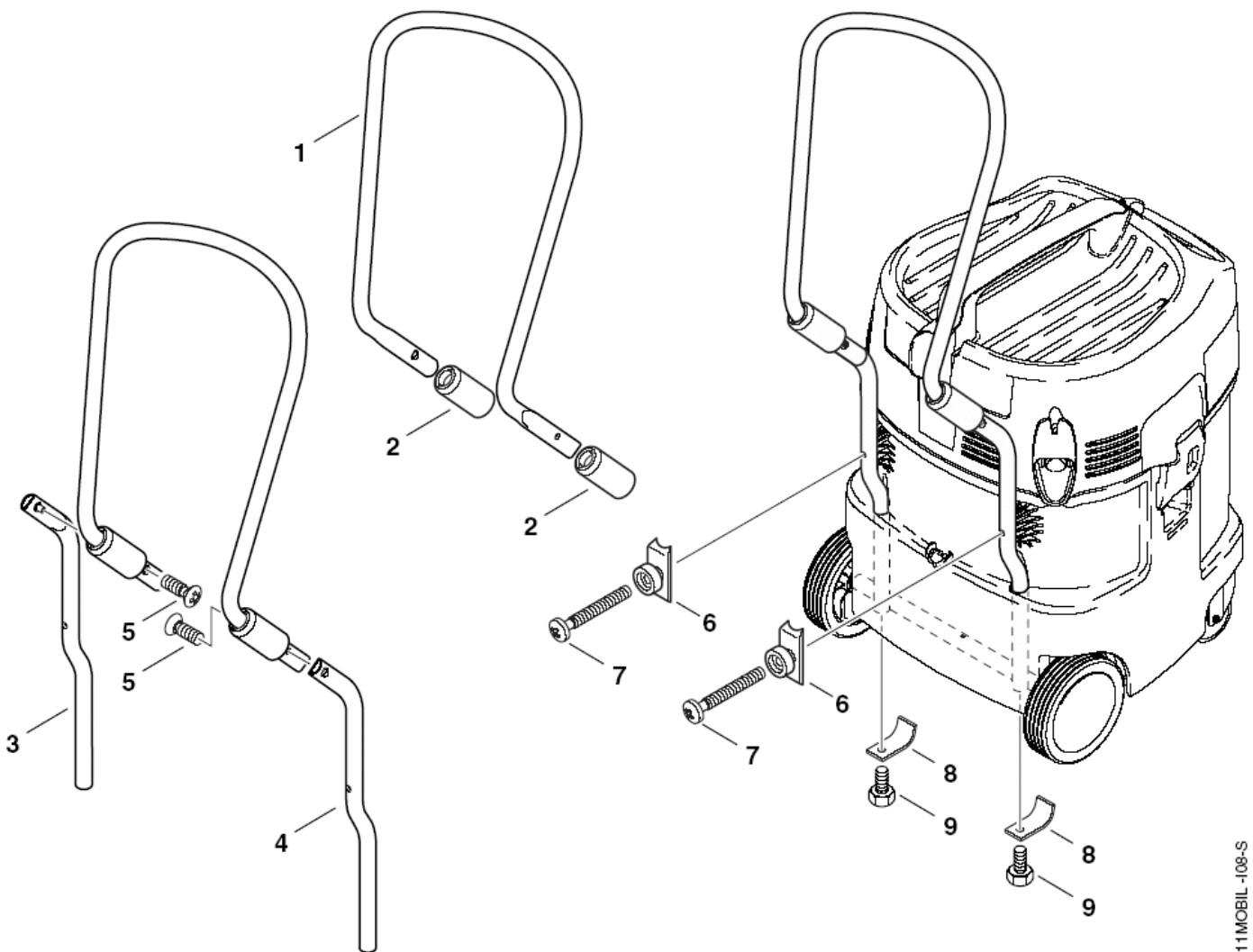
ATTIX 5

11-08-2011

StyMiste ID
ATTIX55014

27

ATTIX 550-11 MOBIL



Handle 550-11 mobil

ATTIX 5

11-08-2011

StyMiste ID

ATTIX55014

28

Pos	Vare nr.	Ant	Beskrivelse	EAN
1	302001099	1	HANDLE-BOW	4005337035
2	302001102	2	MUFFE	4005337035
3	302001100	1	HANDLEBOW LEFT	4005337035
4	302001101	1	HANDLEBOW RIGHT	4005337035
5	5187	2	COUNTERSUNK SCREW M6X12	4005337051
6	302000769	2	BRACKET 46X20X19	4005337021
7	909100160	2	SKRUE M6X45	4005337035
8	302001098	2	LASKE	4005337035
9	8917	2	SCREW M6X12	4005337089

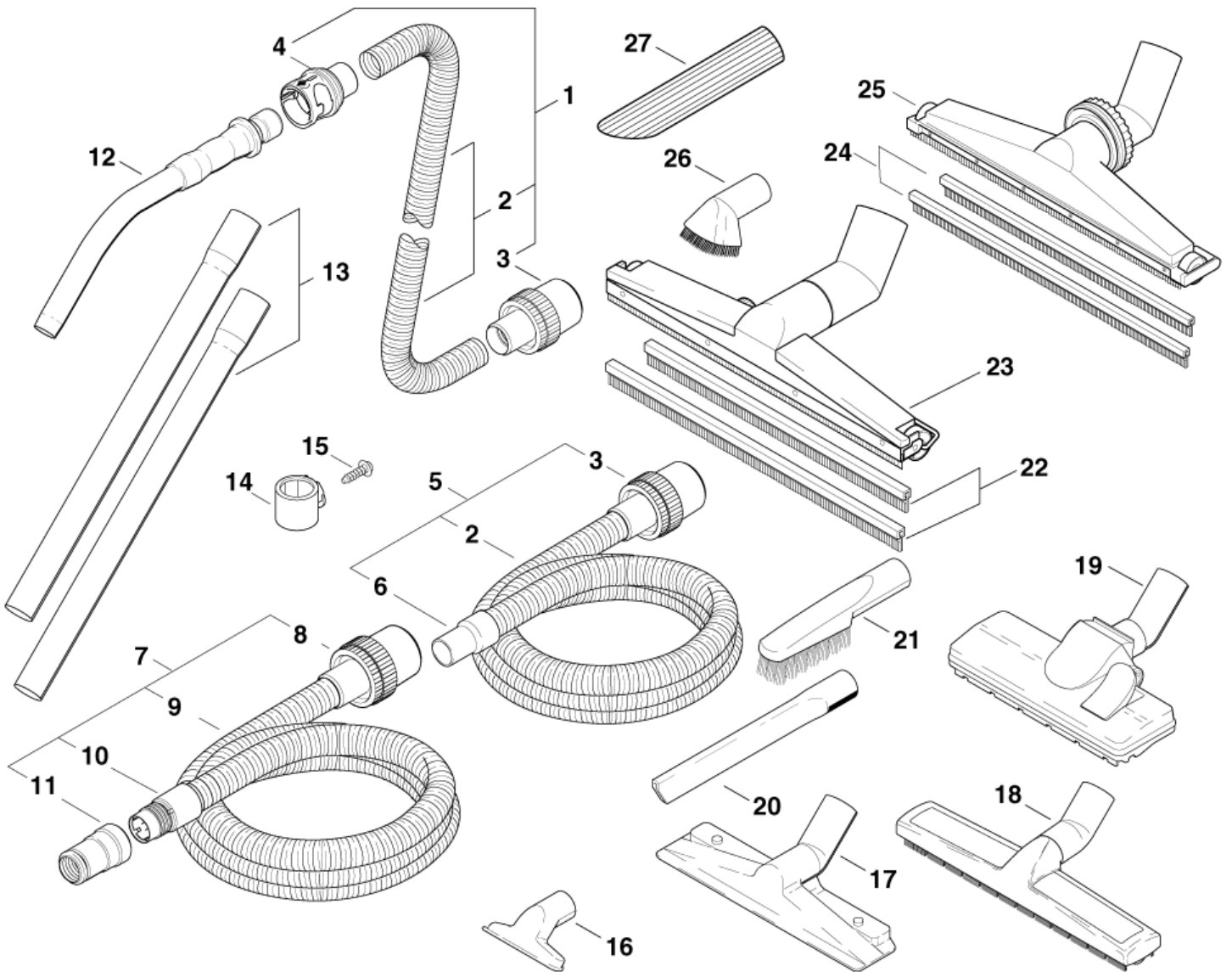
Accessories 550, 751

ATTIX 5

11-08-2011

StyMiste ID
ATTIX55024

29



Accessories 550, 751

ATTIX 5

11-08-2011

StyMiste ID
ATTIX55024

30

Pos	Vare nr.	Ant	Beskrivelse	EAN
1	25537	1	SLANGE Ø36X4000 M/LYNKOBL	4005337255
1	302001677	1	SUGESLANGE ATTIX 7	751-71 4005337070
1	46948	1	SUGESLANGE 3M Ø36	4005337469
2	11985	1	SUGESLANGE Ø 36 PR MTR	4005337119
2	6429	1	SUGESLANGE ALU Ø36MM PR.M	751-71 4005337064
3	15102	1	MUFFE F. SUGER Ø36	4005337151
4	302001345	1	KOBLINGSMUFFE Ø36	4005337045
5	15805	1	SUGESLANGE Ø36, 3 MTR.	4005337158
6	11597	1	MUFFE F. RØR	4005337115
7	15325	1	SUGESLANGE ANT. 3,5M Ø27	4005337153
8	15369	1	SLANGEMUFFE ANTISTAT Ø27	4005337153
9	15326	1	SUGESLANGE ANT. Ø27 PR.M	4005337153
10	63509	1	GEVINDSTYKKE	4005337635
11	107404520	1	ADAPTER Ø27/36	7319519685
11	18195	1	MUFFE TIL RØR Ø27	4005337181
12	302000528	1	RØRBØJNING Ø36	4005337683
12	46691	1	RØRBØJNING, RF STÅL Ø36	4005337466
13	15546	1	FORLÆNGERRØR, 2 STK, Ø36 500MM	4005337155
13	302000529	1	SUGERØR Ø36 CROM	4005337021
14	26821	1	TILBEHØRSHOLDER ATTIX	4005337268
14	28546	1	HOLDER FLOOR-NOZZLE	12GALL.RDF 4005337285
15	12400	1	SKRUE	4005337124
16	14295	1	POLSTERMUNDSTYKKE MBØRST Ø36 115MM	4005337142
17	5147	1	GULVMUNDSTYKKE ALU. Ø36	4005337051
18	302000521	1	KOMBIMUNDSTYKKE ATTIX	4005337683
18	60356	1	UNIVERSALMUNDSTK. PLAST	4005337603
19	302000477	1	KOMBIMUNDSTYKKE Ø36 260MM	4005337682
20	6084	1	FUGEMUNDSTYKKE, PLAST Ø36	4005337060
21	6086	1	BØRSTE, PLAST Ø36	4005337060
22	15352	1	GUMMILISTE F. 15349	751-71 4005337153
23	15349	1	VÅDSUGNINGSMUNDSTYKKE Ø36	751-71 4005337153
24	6114	1	GUMMILISTE F. 5149	4005337061
25	5149	1	GULVMUNDSTYKKE, PLAST Ø36	4005337051
26	5146	1	BØRSTE Ø36	4005337051
27	5067	1	FUGEMUNDSTYKKE, GUMMI Ø36	4005337050

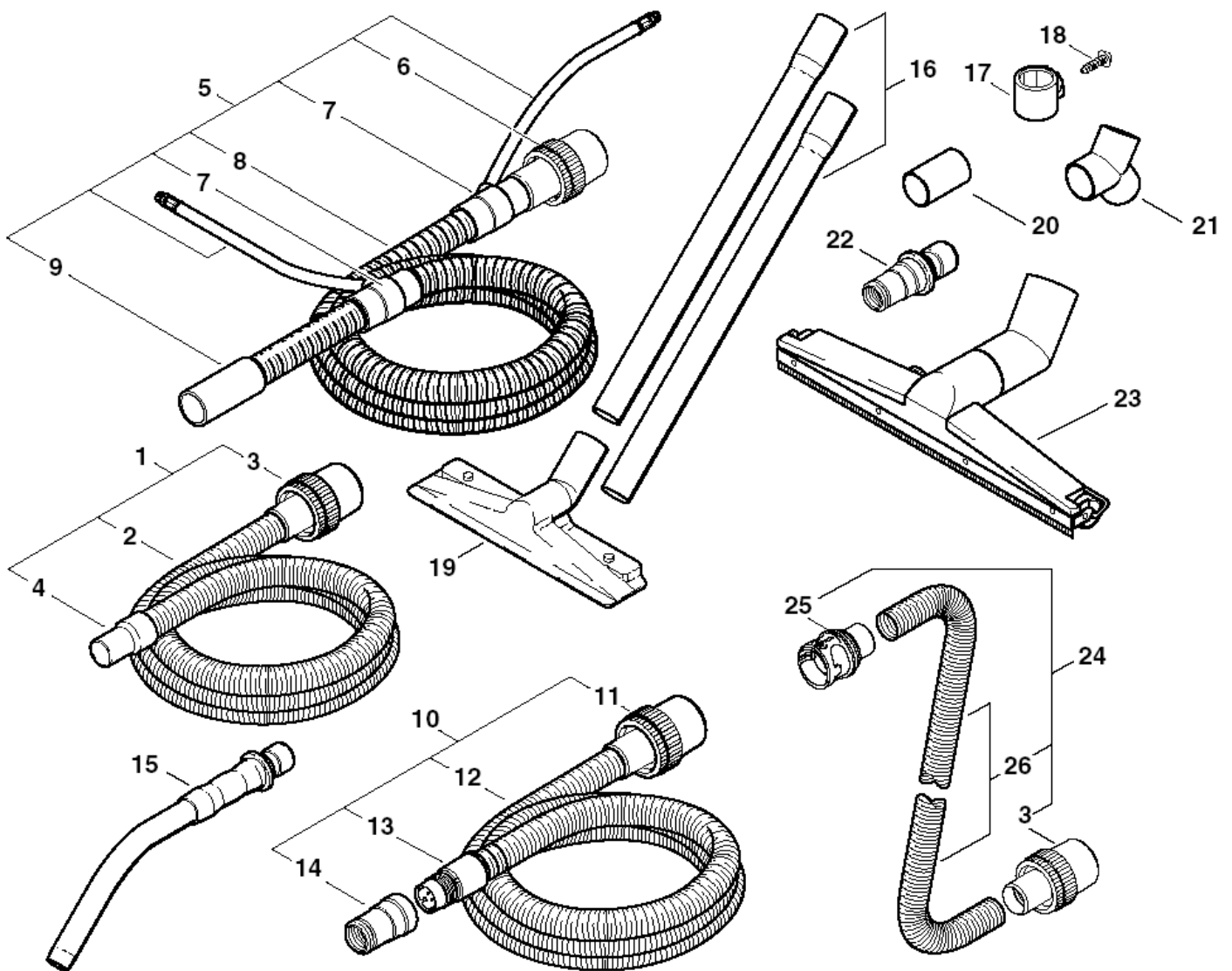
Accessories 560, 761, 763

ATTIX 5

11-08-2011

StyMiste ID
ATTIX56016

31



Accessories 560, 761, 763

ATTIX 5

11-08-2011

StyMiste ID
ATTIX56016

32

Pos	Vare nr.	Ant	Beskrivelse	EAN
1	15805	1	SUGESLANGE Ø36, 3 MTR.	4005337158
2	11985	1	SUGESLANGE Ø 36 PR MTR	* SEE NOTE 4005337119
3	15102	1	MUFFE F. SUGER Ø36	4005337151
4	11597	1	MUFFE F. RØR	4005337115
5	26601	1	COAXIAL SUCTION HOSE Ø32	4005337266
6	30928	1	ADAPT. ANTISTAT Ø32	4005337309
7	26309	1	HOSE SLEEVE 32	4005337263
8	43502	1	SLANGE PR. MTR. Ø 32MM	* SEE NOTE 4005337435
9	60033	1	HOSE SLEEVE Ø32	4005337600
10	15325	1	SUGESLANGE ANT. 3,5M Ø27	4005337153
11	15369	1	SLANGEMUFFE ANTISTAT Ø27	4005337153
12	15326	1	SUGESLANGE ANT. Ø27 PR.M	* SEE NOTE 4005337153
13	63509	1	GEVINDSTYKKE	4005337635
14	107404520	1	ADAPTER Ø27/36	7319519685
14	18195	1	MUFFE TIL RØR Ø27	4005337181
15	302000528	1	RØRBØJNING Ø36	4005337683
15	46691	1	RØRBØJNING, RF STÅL Ø36	4005337466
16	15546	1	FORLÆNGERRØR, 2 STK, Ø36 500MM	4005337155
16	302000529	1	SUGERØR Ø36 CROM	4005337021
17	28546	1	HOLDER FLOOR-NOZZLE	4005337285
18	12400	1	SKRUE	4005337124
19	5147	1	GULVMUNDSTYKKE ALU. Ø36	4005337051
20	15953	1	DIREKTE TILSLUTN. ANTIST.	4005337159
21	15331	1	STAR DISTR. PLAST ANTIST.	4005337153
22	302000535	1	ADAPTOR F. VÆRKTØJ	4005337683
23	15348	1	TØRSUGNINGSMUNDSTYKKE Ø36	4005337153
24	302001682	1	SUGESLANGE Ø36X5000 M. KOBLINGER	4005337070
25	302001345	1	KOBLINGSMUFFE Ø36	4005337045
26	15312	1	SUGESLANGE ANT.Ø36 PR.MTR	* SEE NOTE 4005337153

* NOTE: PLEASE INDICATE LENGTHS IN METRES WHEN ORDERING

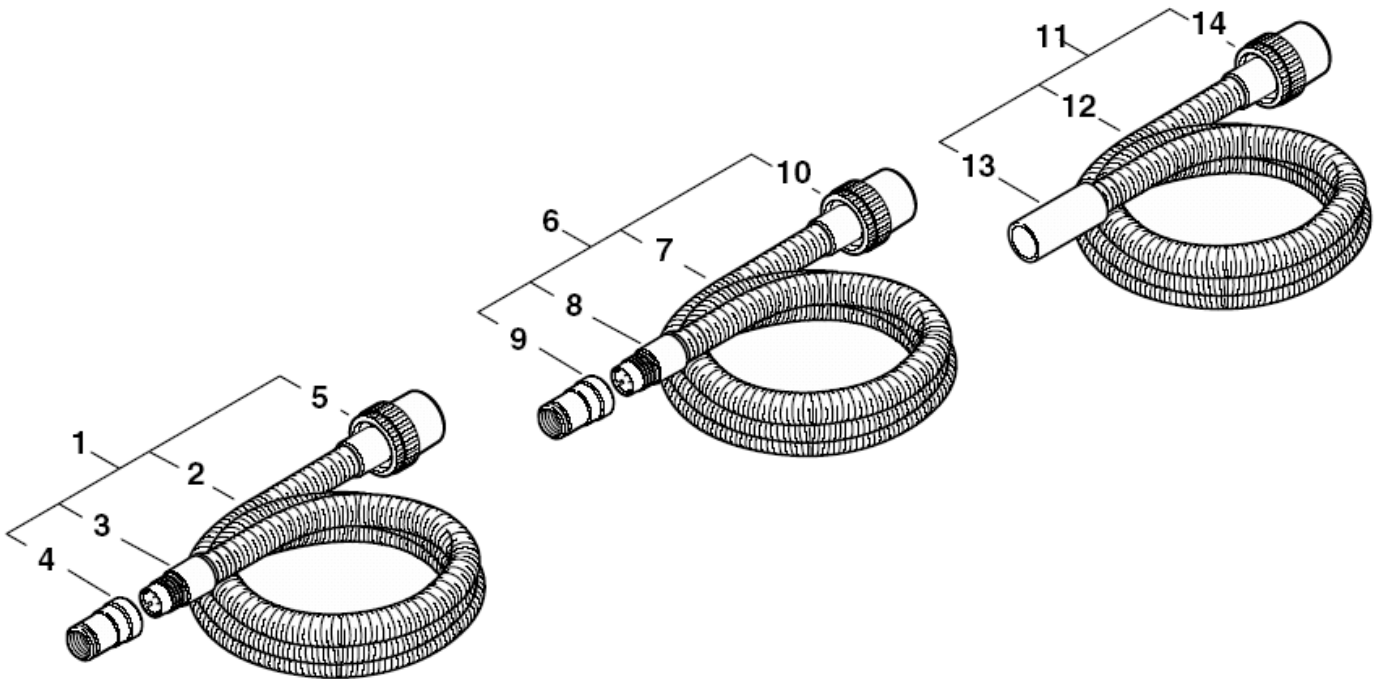
Accessories 590, 791

ATTIX 5

11-08-2011

StyMiste ID
ATTIX59020

33



Accessories 590, 791

ATTIX 5

11-08-2011

StyMiste ID
ATTIX59020

34

Pos	Vare nr.	Ant	Beskrivelse		EAN
1	15325	1	SUGESLANGE ANT. 3,5M Ø27	590-21, 791-21	4005337153
2	15326	1	SUGESLANGE ANT. Ø27 PR.M	590-21, 791-21	4005337153
3	63509	1	GEVINDSTYKKE	590-21, 791-21	4005337635
4	107404520	1	ADAPTER Ø27/36	590-21, 791-21	7319519685
4	18195	1	MUFFE TIL RØR Ø27	590-21, 791-21	4005337181
5	15369	1	SLANGEMUFFE ANTISTAT Ø27	590-21, 791-21	4005337153
6	48132	1	SUGESLANGE Ø27 3,5M	791-2M/B1	4005337481
7	15326	1	SUGESLANGE ANT. Ø27 PR.M	791-2M/B1	4005337153
8	63509	1	GEVINDSTYKKE	791-2M/B1	4005337635
9	18195	1	MUFFE TIL RØR Ø27	791-2M/B1	4005337181
10	48068	1	HOSE SLEEVE Ø 27 B1	791-2M/B1	4005337480
11	302000693	1	SUGESLANGE Ø32X3000	EC 12 GALLON AS/E	4005337690
12	43502	1	SLANGE PR. MTR. Ø 32MM	EC 12 GALLON AS/E	4005337435
13	14682	1	SLANGEMUFFE	EC 12 GALLON AS/E	4005337146
14	30928	1	ADAPT. ANTISTAT Ø32	EC 12 GALLON AS/E	4005337309

ANBEFALEDE RESERVEDELE

ATTIX 5

11-08-2011

StyMiste ID
ATTIX55030

35

Ingen tegning

ANBEFALEDE RESERVEDELE

ATTIX 5

11-08-2011

StyMiste ID
ATTIX55030

36

Pos	Vare nr.	Ant	Beskrivelse		EAN
0	302000460	1	TÆTNING F. FILTER ATTIX		4005337136
1	107400271	1	CORD H07BQ-F 3G2.5 GB	GB,110V	4005337153
1	107400574	1	CORD H05BQ-F 3G1.0 CEE GB 110	GB	7319519672
1	107402619	1	SCREENING FILTER KIT	590-21, 791-21, 791-2M/B1EUGB,230V	7319519682
1	107402629	1	MOTOR TURBINE 1000W 100/120V	EC 12GALLON AS/E, 791-2M/B1GB,110V	7319519682
1	107402635	1	ELECTROMAGNET 24V KIT	FOR 220-240V	7319519682
1	107402639	1	MONTERINGSPLADE		7319519682
1	107402646	1	FILTER SUPPORT CAGE ATTIX PP		7319519682
1	107402651	1	TENSION JACK		7319519682
1	107402653	1	BUNDPLADE F/FILTER		7319519682
1	11379	1	HOSE Ø3X1,5	SEE NOTE**	4005337113
1	11753	1	FILTER AERO/SQ 550/SQ 650	ZA	4005337117
1	14808	1	NIPPEL	560-31XC	4005337148
1	14809	1	OVERGANG	560-31XC	4005337148
1	26774	1	KULSÆT "M"	FOR IDENTIF.LETTER M	4005337267
1	26775	1	KULSÆT "L"	FOR IDENTIF.LETTER L	4005337267
1	26783	1	MOTOR 100V 1200W	100V/1200W	4005337267
1	26784	1	MOTOR 120V 1200W	110-120V/1200W	4005337267
1	26785	1	MOTOR 120V 1000W	120V/1000W	4005337267
1	28875	1	MOTORPAKNINGSSÆT "L"+"M"	FOR IDENTIF.LETTER L+M	4005337288
1	29205	1	MOTOR BEARING RING SET	FOR IDENTIF. LETTER L+M	4005337292
1	302000217	1	ELECTROMAGNET 12V	FOR 100-120V	4005337673
1	302000349	1	LUKKECLAMP		4005337674
1	302000371	1	SPÆNDPLADE	590-21, EC 12GALLON AS/E, 791-21	4005337674
1	302000372	1	PLADE ATTIX 5		4005337674
1	302000373	1	LUFTFORDELER ATTIX 5		4005337674
1	302000385	1	FILTERHUS		4005337020
1	302000386	1	LUFTKANAL		4005337021
1	302000387	1	FLAP		4005337020
1	302000430	1	POWER CORD H05RR-F 3G0.75X8.0	EU	4005337680
1	302000432	1	POWER CORD H05RR-F 3G0.75X8.2M SNV -CH	CH	4005337680
1	302000433	1	POWER CABLE DK	DK	4005337680
1	302000434	1	POWER CORD H05RR-F 3G0,7	AU	4005337681
1	302000435	1	POWER CORD SJTW-A AWG18/3X8.2M NEMA -US	S	4005337681
1	302000437	1	KABEL	EU -590-21, 791-21	4005337681
1	302000439	1	P.CORD H05RR-F 3G1.0X8.2M -CH	CH	4005337681
1	302000440	1	ELKABEL	DK	4005337681
1	302000490	1	FILTER ELEMENT ATTIX 3-5		4005337682
1	302000511	1	PLADE		4005337021
1	302000512	1	KROG F.FILTERHOLDER ATTIX		4005337020
1	302000527	1	FILTERPOSER ATTIX 5		4005337683

* NOTE: 220-240V, 550-11 MOBIL, 751-11*EU*DK*CH*GB,230V*

** NOTE: PLEASE INDICATE LENGTHS IN METRES WHEN ORDERING

ANBEFALEDE RESERVEDELE

ATTIX 5

11-08-2011

StyMiste ID
ATTIX55030

37

Pos	Vare nr.	Ant	Beskrivelse		EAN
1	302000627	1	ELECTRONIC 110-120V SET1	100-120V, 12GALL.RDF	4005337687
1	302000628	1	ELEKTRONIK M. DREJEGREB	220-240V, 550-21, 751-21	4005337687
1	302000637	1	TÆTNING F. BEHOLDER ATTIX		4005337687
1	302000639	1	HJUL Ø150		4005337687
1	302000682	1	HJUL ATTIX 5		4005337690
1	302000683	1	STIKDÅSE	DK	4005337690
1	302000685	1	POWER CORD H05RR-F3G0,75	ZA	4005337690
1	302000696	1	BEHOLDER ATTIX 5		4005337690
1	302000697	1	GASKET FILTER		4005337690
1	302000728	1	PLASTPOSE, ÅBEN FOR ATTIX		4005337027
1	302000751	1	FILTERELEMENT L+M SET		4005337020
1	302000752	1	CORD SET H05RR-F 3G1.5X10.7-GB	GB,230V	4005337021
1	302000825	1	ELECTRONIC SOFT START 100-	100-120V	4005337026
1	302000826	1	ELEKTRONIK	SEE NOTE*	4005337026
1	302000833	1	ELECTRONICS EC-3 230V SET	590-21, 791-21, 791-2M/B1EUGB,230V	4005337035
1	302000852	1	ELECTRONIC 120V SET1	100-120V	4005337028
1	302000853	1	PRINT 230V SÆT	220-240V	4005337028
1	302001185	1	SOCKET	AU	4005337041
1	302001424	1	ELECTRONIC EA.W.SPEED EC	EC 12GALLON AS/E	4005337055
1	302001425	1	ELECTRONIC EA.W.SPEED EC	590-21, 791-21	4005337054
1	302001430	1	ELECTRONIC EC 110V SET-1	EC 12GALLON AS/E, 791-2M/B1GB,110V	4005337055
1	302001546	1	PAKNING	791-21, 791-2M/B1	4005337068
1	302001641	1	Adapter base plate/filter	751-01, 751-11, 751-21, 19GALL.	4005337069
1	302001678	1	LUFT MANIFOLD	19GALLON AS/PE2	4005337070
1	302004034	1	STIKDÅSE 16A/250V EU	EU -590-21, 791-21	4005337147
1	302004332	1	POWER CORD US	US -EC 12GALLON AS/E	7319519675
1	302004333	1	POWER CORD AU	AU	7319519675
1	302004336	1	SOCKET 13A/250V GB	GB,230V	7319519675
1	302004337	1	SOCKET 10A/250V CH	CH	7319519675
1	302004338	1	SOCKET 15A/125V US/CSA	US-EC 12GALLON AS/E	7319519675
1	42538	1	MOTORPAKNINGSSÆT "C"	FOR IDENTIF. LETTER C	4005337425
1	43238	1	SOCKET 2-POL.16A-4H/110-1 30V	GB,110V	4005337432
1	47035	1	COLLAR 55 SHORE A EPDM	12GALL., 12GALL. RDF, 19GALL.	4005337470
1	47036	1	GUMMIPAKNING		4005337470
1	47302	1	LÅSESKIVE		4005337473
1	47364	1	PACKING RING 108X86X18		4005337473
1	48333	1	SIKRING 10A	590-21, 791-21, 791-2M/B1EUGB,230V	4005337483
1	49594	1	MOTOR 220V SQ	220-240V/1200W	7319519675
1	49625	1	KULSÆT "C"	FOR IDENTIF. LETTER C	4005337496
1	50598	1	SCREW M5X20	GB,110V	4005337505
1	60392	1	FLOW SENSOR		4005337603

* NOTE: 220-240V, 550-11 MOBIL, 751-11*EU*DK*CH*GB,230V*

** NOTE: PLEASE INDICATE LENGTHS IN METRES WHEN ORDERING

ANBEFALEDE RESERVEDELE

ATTIX 5

11-08-2011

StyMiste ID
ATTIX55030

38

Pos	Vare nr.	Ant	Beskrivelse	EAN
1	60561	1	SUGEMOTOR 220-240V 1200W 590-21, 791-21,, 791-2M/B1EUGB,230V	4005337605
1	60877	1	BRACKET	4005337608
1	61167	1	MOTORPAKNING FOR IDENTIF. LETTER C	4005337611
1	61174	1	JORDKABEL	4005337611
1	62359	1	PAKNING	4005337623
1	64937	1	SCREENING FILTER EC 12GALLON AS/E, 791-2M/B1GB,110V	4005337649
1	65058	1	FINE-WIRE FUSE EC 12GALLON AS/E, 791-2M/B1GB,110V	4005337650
1	909100164	1	SKRUE	4005337036
1	909100204	1	DREJEKNAP	4005337689
5	302000514	1	PAKNING	4005337023
6	302000769	1	BRACKET 46X20X19	4005337021

* NOTE: 220-240V, 550-11 MOBIL, 751-11*EU*DK*CH*GB,230V*

** NOTE: PLEASE INDICATE LENGTHS IN METRES WHEN ORDERING