

Nilfisk Extreme

Model:

Nilfisk Extreme Eco
Nilfisk Extreme Free
Nilfisk Extreme X100
Nilfisk Extreme X110
Nilfisk Extreme X150
Nilfisk Extreme X200
Nilfisk Extreme X210
Nilfisk Extreme X300
Nilfisk Extreme X300C



Stykliste Dansk

16-09-2010

Nilfisk

www.nilfisk.com

Indholdsfortegnelse

Nilfisk Extreme

Body and body parts	3
Motors, on/off switches and PCBs	6
Cable sets	8
Dust bags and filters	10
Hoses, connections and tubes	12
DYSER	14

Body and body parts

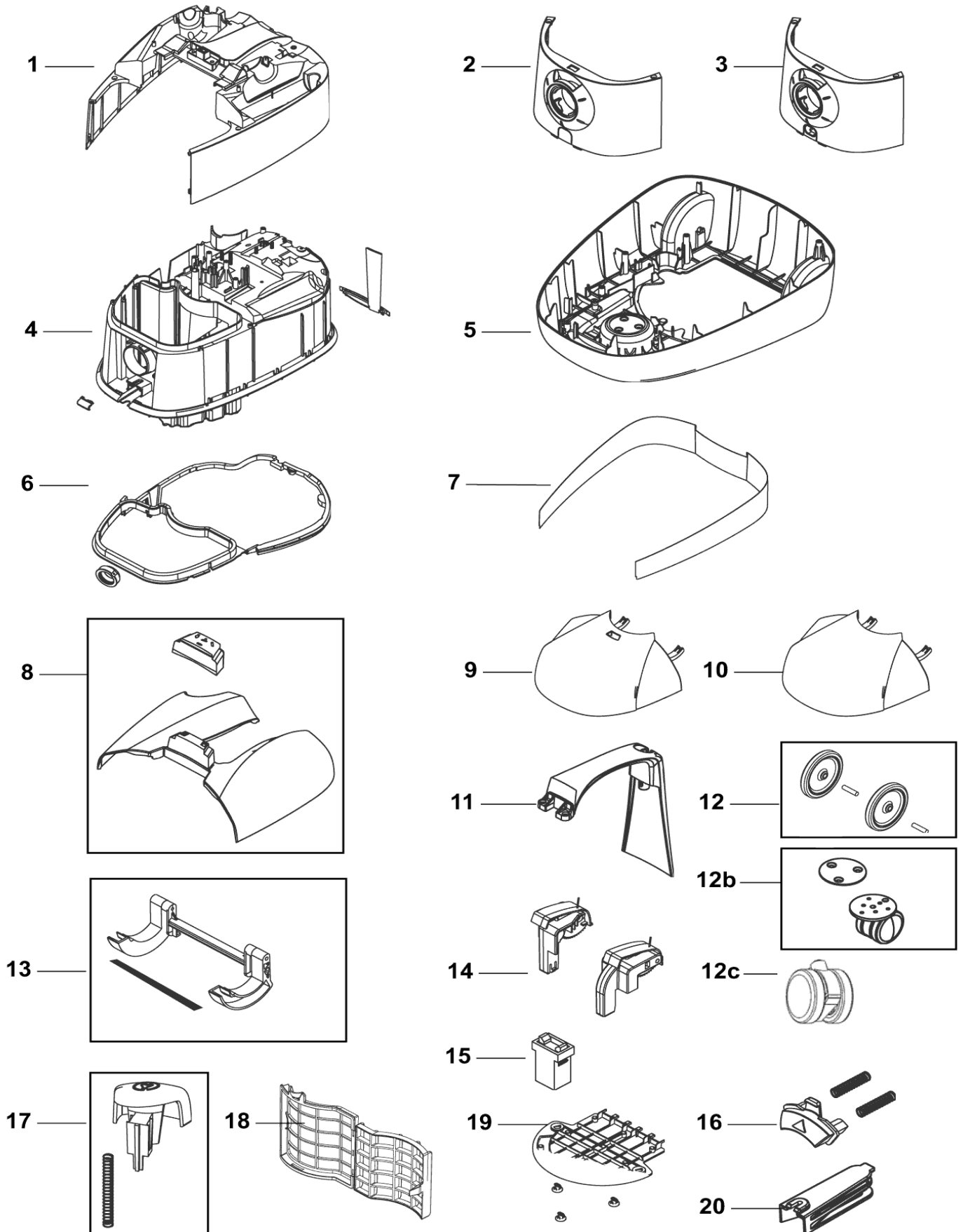
Nilfisk Extreme

16-09-2010

Stykliste ID

A5637

3



Body and body parts

Nilfisk Extreme

16-09-2010

Stykliste ID

A5637

4

Pos	Vare nr.	Ant	Beskrivelse		EAN
1	147 0113 500	1	BEHOLDER, YDER EXTREME 100	Colour: Red solid	7319519647
1	147 0113 510	1	BEHOLDER, YDER EXTREME 110	Colour: Blue solid	7319519647
1	147 0113 530	1	BEHOLDER, YDER EXTREME 150	Colour: Silver metallic	7319519647
1	147 0113 550	1	BEHOLDER, YDER EXTREME 200	Colour: Blue metallic	7319519647
1	147 0113 570	1	BEHOLDER, YDER EXTREME 210	Colour: Purple	7319519647
1	147 0113 580	1	BEHOLDER, YDER EXTREME 300	Colour: Champagne metallic	7319519647
1	147 0113 590	1	BEHOLDER, YDER X210 GREENMETAL	Colour: Green metallic	7319519661
1	147 0113 600	1	BEHOLDER, YDER X150SIENNA	Colour: Siena Metallic	7319519666
1	147 0113 610	1	BEHOLDER, YDER ECO	ECO	7319519673
1	147 0113 620	1	MAIN BODY OUTER FREE	Free	7319519678
2	147 0107 500	1	DÆKSEL, FRONT EXTREME	Colour: Black	7319519647
2	147 0107 520	1	FRONTLÅG EXTREME X150 FPSØLV	Colour: Silver metallic	7319519666
2	147 0107 530	1	COVER FRONT EXTREME WHITE	ECO	7319519673
2	147 0107 540	1	COVER FRONT EXTREME FREE	Free	7319519678
3	147 0214 500	1	DÆKSEL, FRONT EXTREME 300	Colour: Black With outlet	7319519647
3	147 0214 520	1	FRONTCOVER POWER OUTL. EXTREME	Colour: Champagne metallic. With outlet	7319519666
4	147 0215 500	1	BEHOLDER, INDERP EXTREME		7319519650
5	147 0100 500	1	BEHOLDER, UNDERP. EXTREME		7319519647
6	147 0570 500	1	PAKNINGSKIT KMP EXTREMEX100-300		7319519648
7	147 0110 500	1	COVER, BEHOLDER EXTREME		7319519647
8	147 0116 510	1	LÅG, TILB. EXTREME X100	Colour: Red solid	7319519647
8	147 0116 520	1	LÅG, TILB. EXTREME X110	Colour: Blue solid	7319519647
8	147 0116 530	1	LÅG, TILB. EXTREME X150	Colour: Silver metallic	7319519647
8	147 0116 540	1	LÅG, TILB. EXTREME X200	Colour: Blue metallic	7319519647
8	147 0116 550	1	LÅG, TILB. EXTREME X210	Colour: Purple metallic	7319519647
8	147 0116 560	1	LÅG, TILB. EXTREME X300	Colour: Champagne metallic	7319519647
8	147 0116 570	1	TILBEHØRSLÅG EXTREME 210GRØN	Colour: Green metallic	7319519661
8	147 0116 580	1	LID ACC.F/EXTREME X150 SIENNA	Colour: Siena metallic	7319519666
8	147 0116 610	1	TILBEHØRSLÅG, EXTREME ECO	ECO	7319519673
8	147 0116 620	1	LÅG FOR EXTREME FREE	Free	7319519678
9	147 0277 500	1	STØVLÅG KPL. EXTREME X100	Colours: Red and Black	7319519647
9	147 0277 510	1	STØVLÅG KPL. EXTREME X110	Colours: Blue and Black	7319519647
9	147 0277 520	1	LÅG FOR EXTREME ECO	ECO	7319519673
10	147 0298 500	1	STØVLÅG KPL. EXTREME X150 SILVER METALLIC	Colours: Silver metallic and Black	7319519647
10	147 0298 510	1	STØVLÅG KPL. EXTREME X200 ICE BLUE METALLIC	Colours: Blue metallic and Black	7319519647
10	147 0298 520	1	STØVLÅG KPL. EXTREME X210 PURPLE METALLIC	Colours: Purple metallic and Black	7319519647
10	147 0298 530	1	STØVLÅG KPL. EXTREME X300 CHAMPAGNE METALLIC	Colours: Champagne metallic and Black	7319519647
10	147 0298 540	1	DUST LID X210 GREEN METALLIC	Colours: Green metallic and Black	7319519661
10	147 0298 570	1	STØVLÅG KPL. EXTREME X150	Colours: Siena metallic and Black	7319519666

Body and body parts

Nilfisk Extreme

16-09-2010

Stykliste ID

A5637

5

Pos	Vare nr.	Ant	Beskrivelse		EAN
10	147 0298 580	1	STØVLÅG KPL. X150 SØLV	Colour: Silver metallic	7319519666
10	147 0298 590	1	STØVLÅG KPL. EXTREME X300FP	Colour: Champagne metallic	7319519666
10	147 0298 600	1	DUST LID CPL. EXTREME FREE	Free	7319519678
11	147 0212 500	1	HÅNDTAG KPL. EXTREME		7319519647
12	147 0242 500	1	HJULKIT INCL. EXTREME		7319519647
13	147 0264 500	1	HÆNGSEL, STØVLÅG EXTREME		7319519647
14	147 0274 500	1	HÆNGSELKIT EXTREME		7319519647
15	147 0184 500	1	LÅS, TILB.LÅG EXTREME		7319519647
16	147 0108 500	1	KNAP, STØVLÅG EXTREME		7319519647
17	147 0117 500	1	KNAP, LED.OPR. EXTREME		7319519647
18	147 1187 500	1	HOLDER PREFILTER KIT		7319519662
19	147 0101 500	1	LÅG,HEPA EXTREME X100-300		7319519648
20	147 0208 500	1	PARKERINGSPLADE EXTREME		7319519647
12B	147 1040 500	1	DREJEHJUL KIT EXTREME	includes 3 screws	7319519656
12C	147 1040 510	1	DREJEHJUL U/AKSEL		7319519660

Motors, on/off switches and PCBs

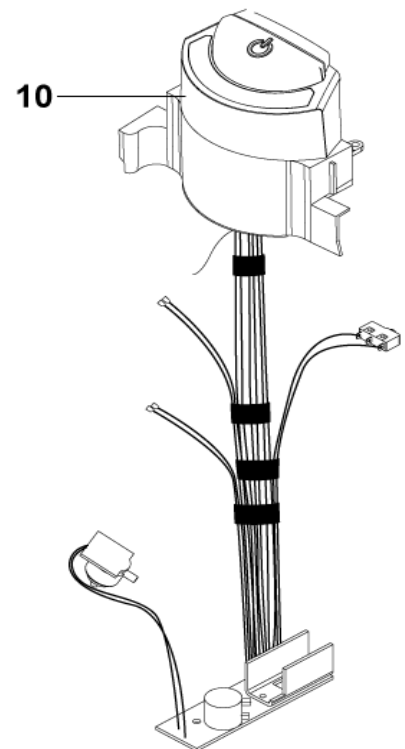
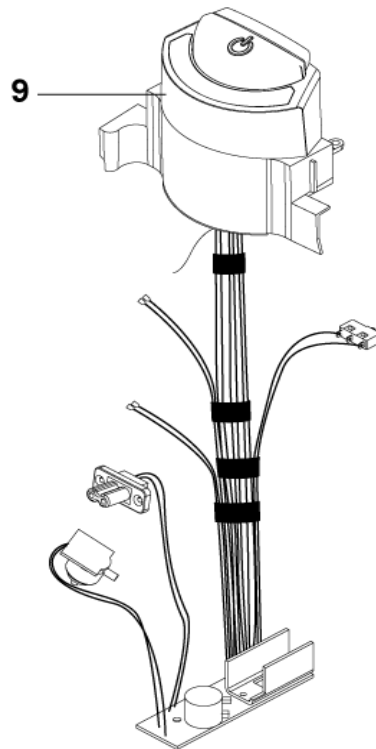
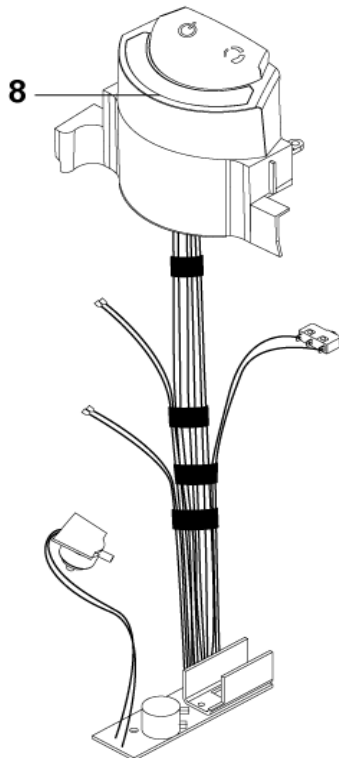
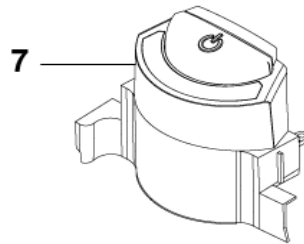
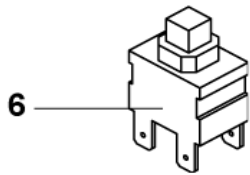
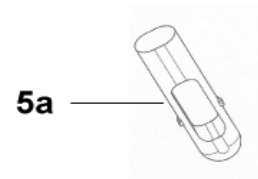
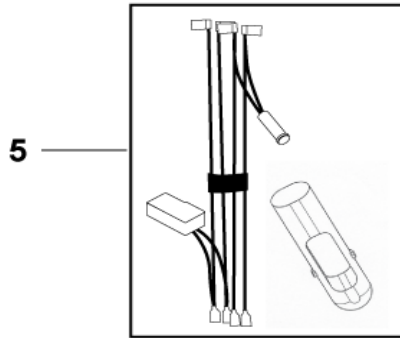
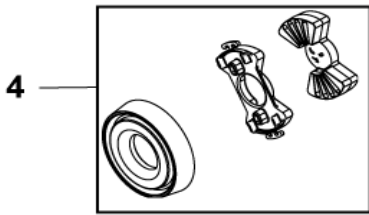
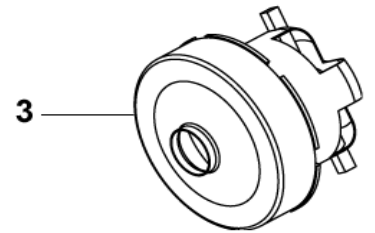
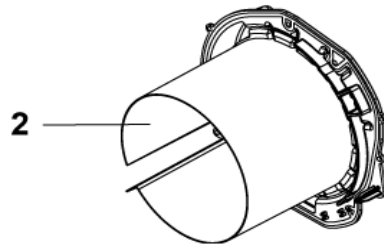
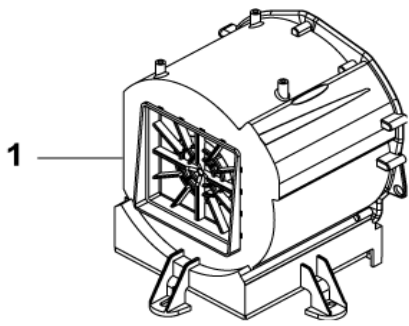
Nilfisk Extreme

16-09-2010

Stykliste ID

A5633

6



Motors, on/off switches and PCBs

Nilfisk Extreme

16-09-2010

StyKiste ID

A5633

7

Pos	Vare nr.	Ant	Beskrivelse	EAN
1	147 0250 500	1	MOTOR MODULE EXTREME	7319519647
2	147 0251 500	1	MOTOR MODULE LID EXTREME	7319519647
3	147 0567 500	1	MOTOR EXTREME 220-240V 1600 W 50-60HZ	7319519647
3	147 0568 500	1	MOTOR EXTREME 220-240V 1200 W 50-60HZ	7319519647
3	147 0569 500	1	MOTOR EXTREME 110-120V 1360HZ	7319519647
4	147 0560 500	1	MOTOR SUSPENSION KIT	7319519647
5	147 0554 500	1	LEDNINGSKIT, ON/OFFEXTREME X100-110	7319519647
6	140 8096 500	1	KONTAKT KIT GD2000	7319519629
7	147 0120 500	1	DISPLAY BASIC ON/OFFEXTREME X100-110	7319519647
8	147 0280 500	1	EL-UNIT EXTREME X150-210	7319519647
8	147 0280 510	1	EL.MEDIUM X150-210 110-120V	7319519647
9	147 0281 500	1	EL-UNIT EXTREME X300	7319519647
9	147 0281 510	1	EL.PREMIUM X300 110-120V	7319519647
10	107402064	1	EL. PREMIUM FREE 220-240V	Free 7319519678
11	140 7040 500	1	LEDNING, MOTOR EXTREME	7319519647
11	140 7042 510	1	LEDNING, MOTOR EXTREME	7319519647
5A	147 0236 500	1	TRIGGER PARKING SWITCH	7319519659

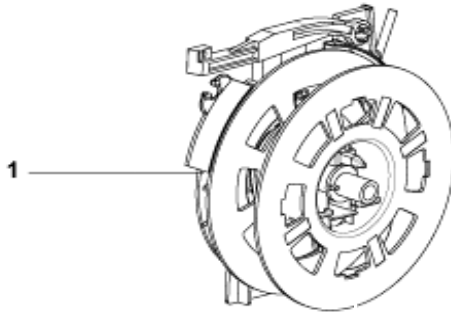
Cable sets










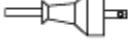
Nilfisk Extreme

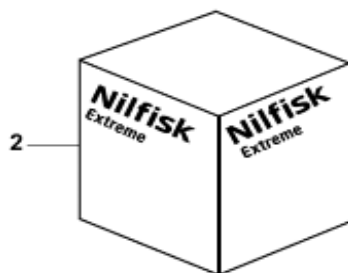
16-09-2010

Stykiste ID A5635

8



Cable with plug/socket for bracket			
	Voltage	Plug type	
EU	220-240		
UK	220-240		
AUS/NZ	220-240		
CH	220-240		
USA/CAN	110-120		



Cable sets

Nilfisk Extreme

16-09-2010

Stykliste ID

A5635

9

Pos	Vare nr.	Ant	Beskrivelse		EAN
1	147 0171 540	1	CABLE REW 7M EXTREME CH	L=7 M	7319519647
1	147 0171 550	1	LEDNINGSOPRUL 7 M.EXTREME	L=7 M	7319519660
1	147 0171 560	1	CABLE REW EXTREME UK	L=7 M	7319519660
1	147 0171 570	1	CABLE REW EXTREME A U/NZ	L=7 M	7319519660
1	147 0171 570	1	CABLE REW EXTREME A U/NZ	L=8,5M	7319519660
1	147 0182 550	1	LEDNINGSOPRUL 8,5 MEXTREME	L=8,5 M	7319519660
1	147 0182 560	1	CABLE REW EXTREME UK	L=8,5 M	7319519660
1	147 0182 570	1	CABLE REW EXTREME A U/NZ	L=8,5 M	7319519660
1	147 0182 590	1	CABLE REW EXTREME CH	L=8,5 M	7319519660
2	147 1147 000	1	KASSE EXTREME		7319519659
2	147 1147 020	1	BOX ECO		7319519673
3	147 0553 520	1	EXTREME GENNEMSKÅ RET		7319519659
4	147 0578 520	1	BOX LABEL X100		7319519670
4	147 0578 530	1	BOX LABEL X110		7319519670
4	147 0578 550	1	BOX LABEL X200		7319519670
4	147 0578 590	1	BOX LABEL X210		7319519670
4	147 0578 620	1	BOX LABEL X100 WITH BONUS NOZZ		7319519670
4	147 0578 630	1	BOX LABEL X150XL		7319519670
4	147 0578 650	1	BOX LABEL X300		7319519670
4	147 0578 660	1	BOX LABEL X300C		7319519670
4	147 0578 670	1	BOX LABEL X150		7319519670
4	147 0578 680	1	BOX LABEL X150 PARQUET		7319519670
4	147 0578 690	1	BOX LABEL X150 SPIRIT		7319519670
4	147 0578	1	BOX LABEL EXTREME ECO	ECO	7319519673

Dust bags and filters

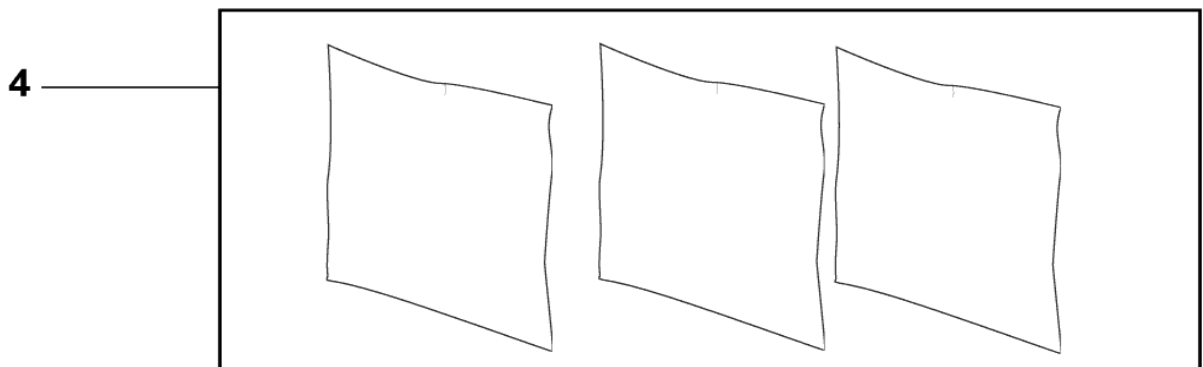
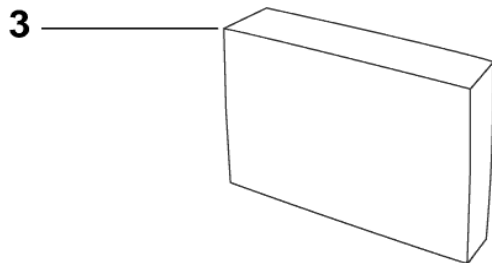
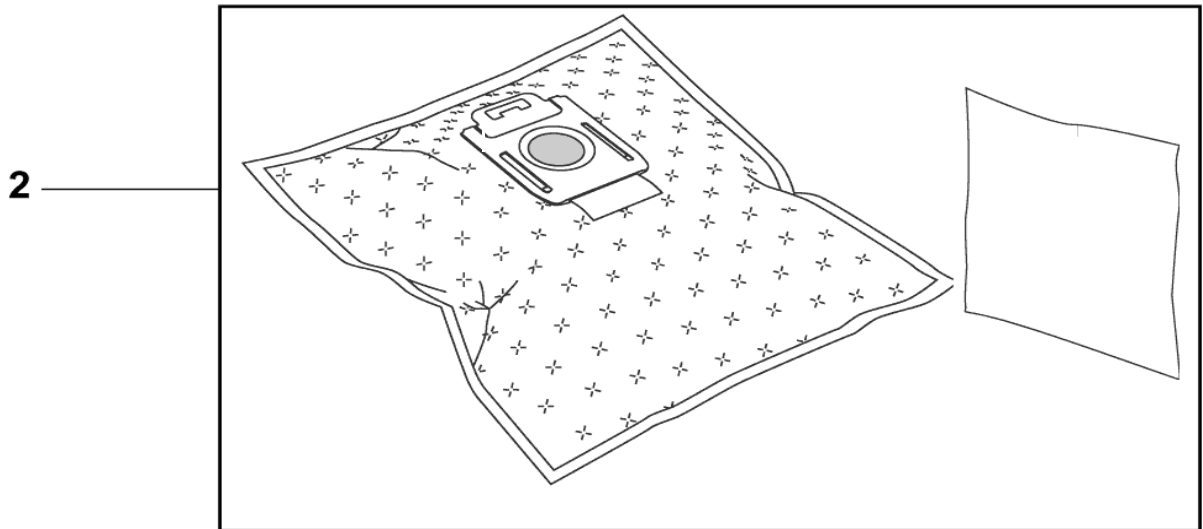
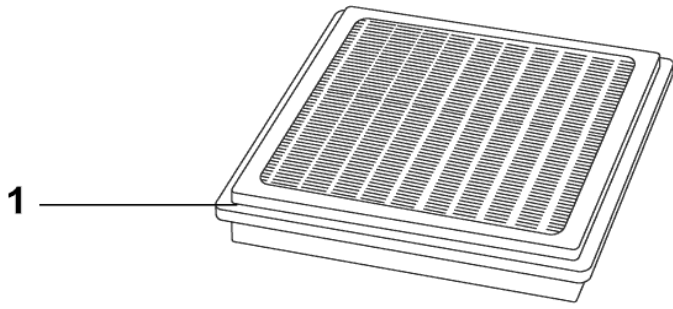
Nilfisk Extreme

16-09-2010

Stykiste ID

A5639

10



Dust bags and filters

Nilfisk Extreme

16-09-2010

Stykliste ID

A5639

11

Pos	Vare nr.	Ant	Beskrivelse	EAN
1	147 0180 500	1	FILTER, HEPA H14 EXTREME	7319519645
2	147 0286 500	1	STØVPOSER 4+FILT. EXTREME	7319519645
			4 Dust bags and 1 pre filter	
3	147 0159 500	1	FILTER,AKTIVT KUL EXTREME	7319519647
4	147 0157 500	1	FILTER, FOR EXTREME	7319519647

Hoses, connections and tubes

Nilfisk Extreme

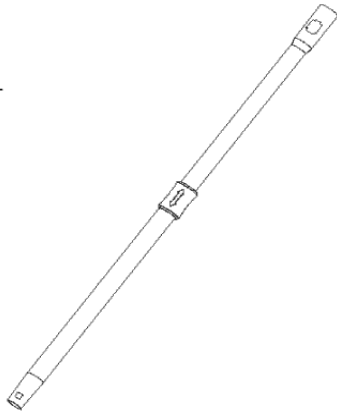
16-09-2010

Stykiste ID

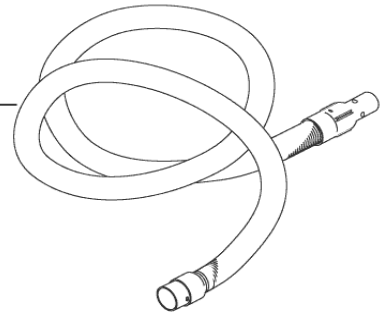
A56311

12

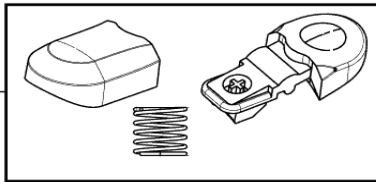
1



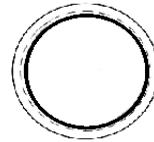
2



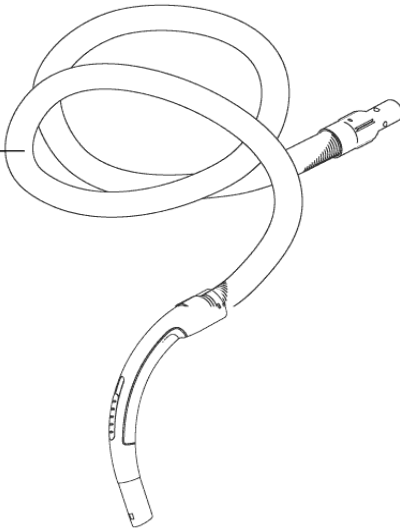
1b



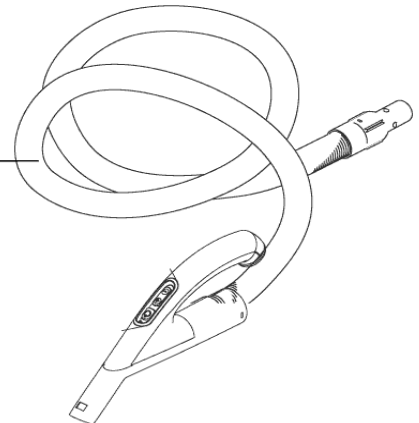
1c



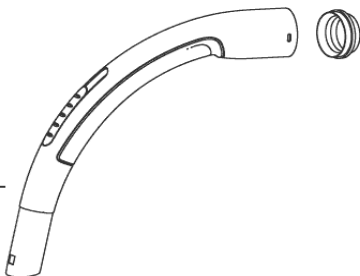
2b



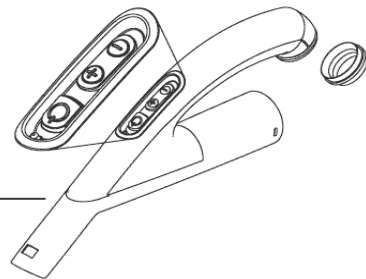
2c



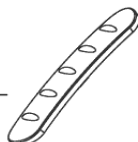
3



4



5



Hoses, connections and tubes

Nilfisk Extreme

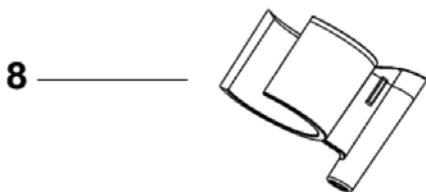
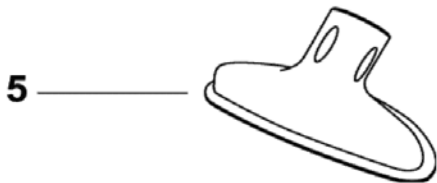
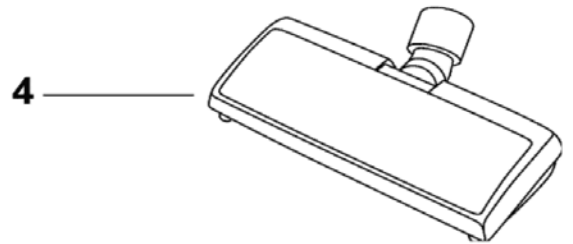
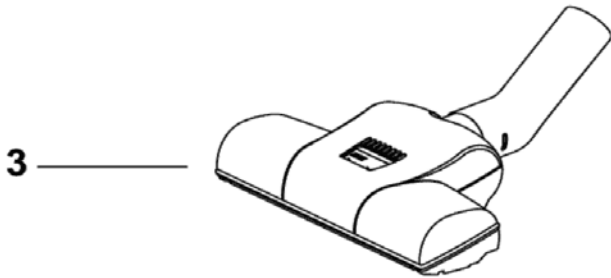
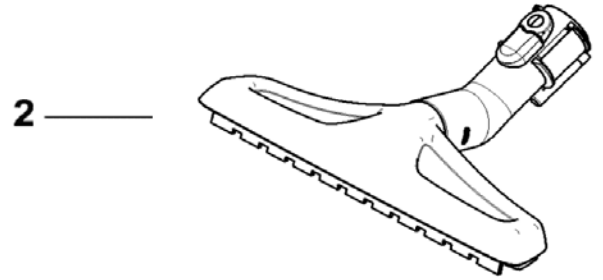
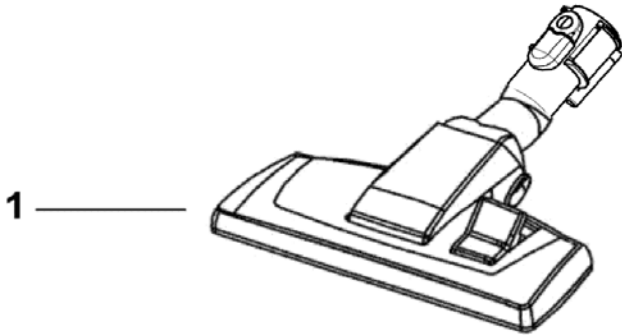
16-09-2010

Stykliste ID

A56311

13

Pos	Vare nr.	Ant	Beskrivelse	EAN
1	147 0284 500	1	TELESKOPRØR,EXTREME STÅL	7319519647
1	147 0284 510	1	TELESKOPRØR, EXTREME ALU	7319519647
2	147 0285 500	1	SLANGE, EXTREME	7319519647
3	147 0243 520	1	RØRBØJNING	7319519659
4	147 0123 530	1	BENT END CPL PREMIUM D32	7319519671
5	147 0152 500	1	VENTIL, BUETRØR EXTREME	7319519647
1B	147 0265 500	1	BUTTON AND COVER CL.KIT	7319519659
1C	010 9299 540	1	PAKNING TIL KOBLING GD930	7319519666
2B	147 0283 500	1	SLANGE,KOMPL.X110/X210	7319519659
2C	147 0577 510	1	SLANGE,KOMPL.,X300	7319519671



DYSER

Nilfisk Extreme

16-09-2010

Stykliste ID

A56313

15

Pos	Vare nr.	Ant	Beskrivelse	EAN
1	140 8492 550	1	KOMBI MUNDSTYKKE M. KLIKEXTREME, P20, P40	7319519666
2	147 0247 500	1	MUNDSTYKKE,PARKET M. KLIKEXTREME	7319519647
3	22360000	1	MUNDSTYKKE, TURBO 32MMSORT	5715492010
4	12010100	1	MUNDSTYKKE, ELDREVET HDS	5715492003
5	147 0299 500	1	MUNDSTYKKE, MØBEL EXTREME	7319519647
6	147 0300 500	1	MUNDSTYKKE,TREK. EXTREME	7319519647
7	147 0146 500	1	SKRÅRØR, EXTREME	7319519647
8	12018201	1	PARKERINGSKLIPS GD1000	5715492003
			grey	
8	147 0585 500	1	PARKERINGS CLIPS, SORT	7319519648
			black	