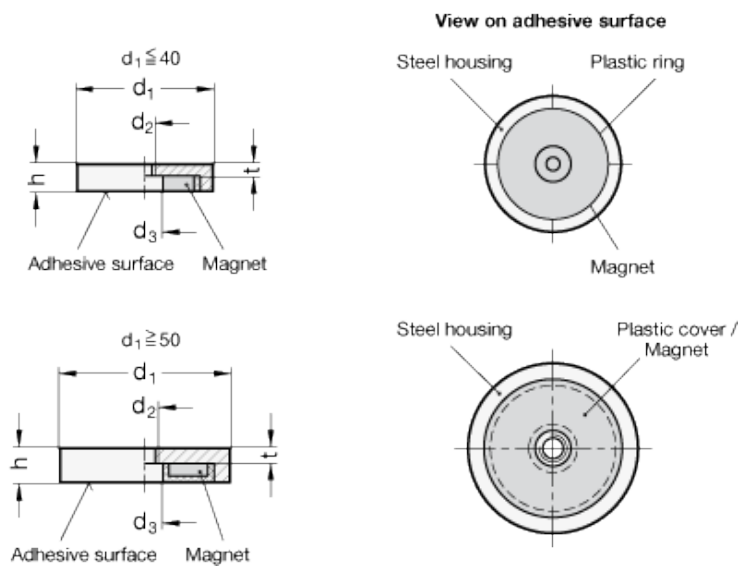


GN 50.5

Retaining magnets



technical informations

Specification

Disc shaped, with female thread.

Housing, steel zinc-plated.

Plastic cover, polyamide based (PA) technopolymer.

Material of the magnet

Neodymium, iron, boron NdFeB ND, temperature resistant up to 80°C

Features and applications

Retaining magnets GN 50.5 are a shielded magnetic system. For diameter $d_1 \geq 50$ the adhesive surface is lagged with a plastic cover.

To ensure that the magnetic properties (adhesive forces) are not impaired, the fixing screws must be made of non-magnetic material.

Standard Elements	Main dimensions					Nominal adhesive forces in N	Weight
Description	$d_{1 \pm 0.1}$	d_2	d_3	$h \pm 0.2$	t		g
GN 50.5-ND-32	32	M5	5.5	7	3	330	40
GN 50.5-ND-40	40	M5	10.5	8	6	500	74
GN 50.5-ND-50	50	M8	10.5	10	5.5	800	140
GN 50.5-ND-63	63	M10	11.7	14	8.5	1100	315
GN 50.5-ND-75	75	M10	13	15	8.5	1750	479



STANDARD MACHINE ELEMENTS WORLDWIDE