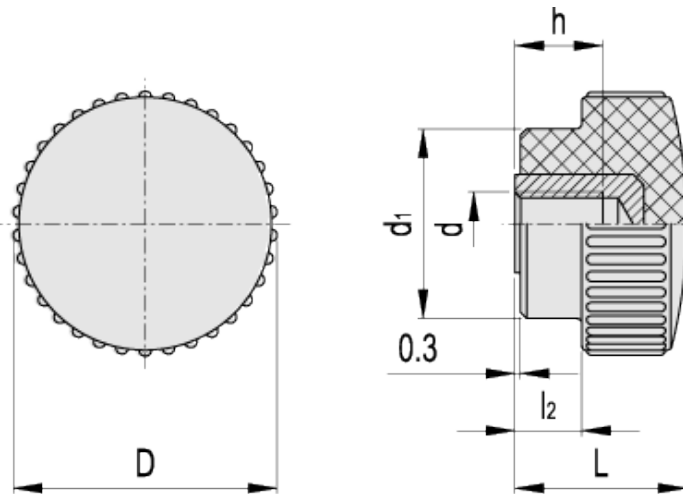


# B.193-SST

Knurled grip knobs



ELESA Original design



## technical informations

### Material

Phenolic based (PF) Duroplast. Resistant to solvents, oils, greases and other chemical agents.

### Colour

Black, glossy finish.

### Standard execution

AISI 303 stainless steel boss, tapped blind hole.

Standard Elements		Main dimensions				Mounting hole		Weight
Code	Description	D	L	d <sub>1</sub>	l <sub>2</sub>	d <sub>6H</sub>	h	g
102103	B.193/15-SST-M5	15	11	11	2	M5	6	4
102301	B.193/20-SST-M6	22	14	15	4	M6	6	8

102401	B.193/25-SST-M6	26	18	19	6	M6	10	13
102501	B.193/30-SST-M8	31	18	24	6	M8	10	20

---



ELESA-GANTER models all rights reserved in accordance with the law. Always mention the source when reproducing our drawings.

**STANDARD MACHINE ELEMENTS WORLDWIDE**