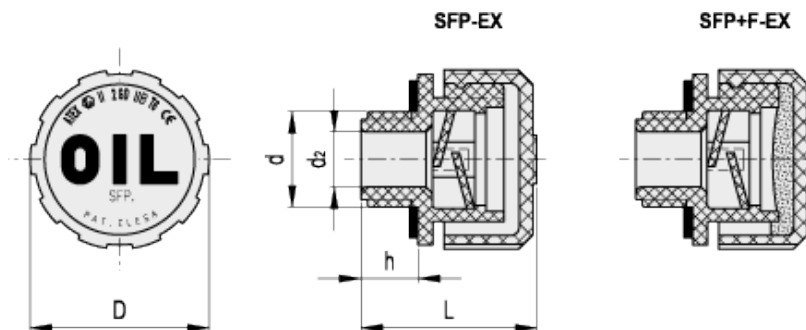


SFP-EX

Breather caps
with splash guard



ELESA Original design



technical informations

Material

Polyamide based (PA) technopolymer. Resistant to solvents, oils, greases and other chemical agents.

- Cover: RAL 2004 orange, semi-matte finish, marked "OIL".
- Threaded connector: black colour, semi-matte finish.

Flat packing ring

NBR synthetic rubber.

Splash guard

Technopolymer.

Standard executions

- SFP-EX: without air filter (black splash guard).
- SFP+F-EX: with "tech-foam" air filter in polyurethane foam mesh (polyester base), air filtration 40 μ (grey splash guard).

ATEX directive compliance

The breather caps of the SFP-EX series comply with Health and Safety Requirements intended in 94/9/EC ATEX European

54001-EX	SFP.30-3/8-EX	G 3/8	9.5	31	29.5	10	11
54101-EX	SFP.30-1/2-EX	G 1/2	9.5	31	29.5	12	11
54201-EX	SFP.40-3/4-EX	G 3/4	11.5	42	36.5	18	22
Standard Elements		Main dimensions					Weight
Code	Description	d	h	D	L	d ₂	g
54022-EX	SFP.30-3/8+F-EX	G 3/8	9.5	31	29.5	10	13
54122-EX	SFP.30-1/2+F-EX	G 1/2	9.5	31	29.5	12	15
54222-EX	SFP.40-3/4+F-EX	G 3/4	11.5	42	36.5	18	28

This product had the following design awards:



ELESA and GANTER models all rights reserved in accordance with the law. Always mention the source when reproducing our drawings.

STANDARD MACHINE ELEMENTS WORLDWIDE