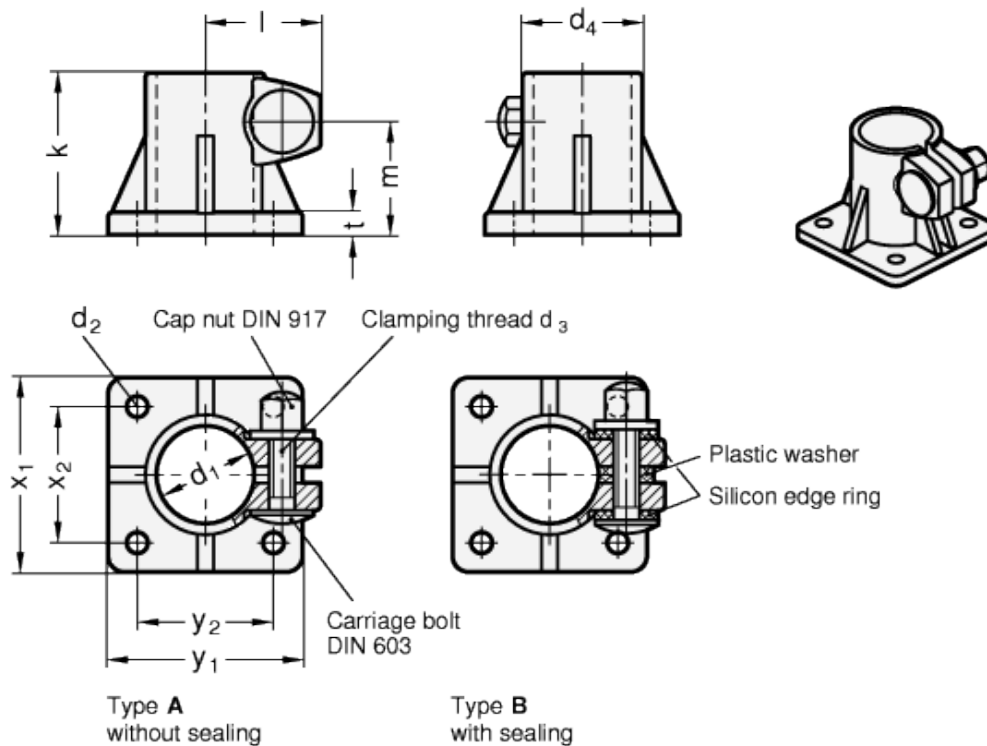


GN 163.5

Base plate connector clamps



INOX
Stainless Steel



technical informations

Material

Stainless Steel AISI CF-8, matt shot-blated.

Clamping bores

Mechanically machined.

Carriage bolt DIN 603

Stainless Steel A2.

Cap nuts DIN 917

Stainless Steel A2.

Sealings

- Washers Plastic (Polyacetal POM)
- Edge ring, Silicon, 40 ... 60 Shore A

Type

- Type A: without sealing
- Type B: with sealing

Features and applications

The clamping bores of the Stainless Steel-Base plate connector clamps GN 163.5 are mechanically machined and designed for construction tubings GN 990 or DIN 2391, DIN 2395 and DIN 2462 respectively.

The shape of the clamping screws / nuts prevents the formation of wetness due to dammed-up water. The designs with sealing (Type B) also seals bore holes and threads.

Standard Elements	Main dimensions												Weight
Description	d ₁	k	d ₂	d ₃	d ₄	l	m	t	x ₁	x ₂	y ₁	y ₂	g
GN 163.5-B30-50-A	B 30	50	6.5	M 8	37	36	35	6.5	60	42	60	42	305
GN 163.5-B30-50-B	B 30	50	6.5	M 8	37	36	35	6.5	60	42	60	42	309



STANDARD MACHINE ELEMENTS WORLDWIDE