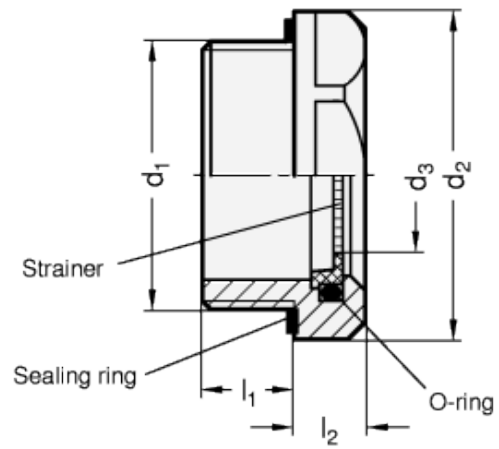
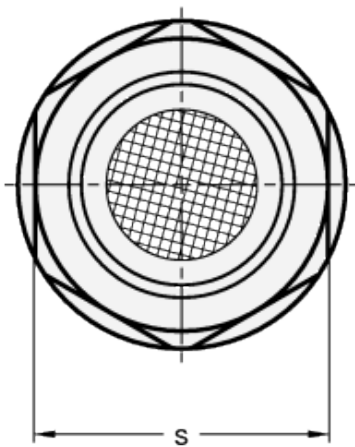
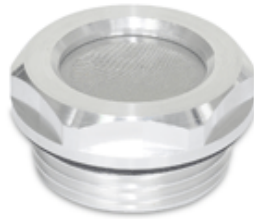


# GN 7403

Breather strainers



technical informations

## Specification

Body

Aluminium AL

Strainer

Stainless Steel mesh

AISI 304

Strainer bezel

Plastic (Polyamide PA)  
 - glass fibre reinforced  
 - temperature resistant up to 100 °C

Sealing / O-Ring  
 NBR (Perbunan)

### Information

Breather strainers GN 7403 are used in enclosure and device construction. Inserted into the wall of the enclosure, they ensure pressure equilibrium between the inside of the enclosure and the outside.

Any dirt and dust particles carried by the medium (usually gas) are prevented from exiting depending on the mesh size. This protects the insides of sensitive devices and machinery parts from dirt and pollution and also protects the environment from any exiting dust.

The outside diameter of the enclosure with the recessed hexagon matches the bolt mounting holes for DIN 3852 threaded pipe connectors.

The sealing ring is embedded in a radial and plane-sided recess which makes the seal captive and prevents it from being squeezed out during tightening.

Assembly instruction:

For mounting on walls of less than 4 mm thickness, please use mounting nut GN 543.1.

### Accessory

Mounting nut GN 543.1

### On request

- Body in brass
- Other mesh size
- Other material for the strainer

| Standard Elements      | Main dimensions |                |                |                |                |                |     | Weight |
|------------------------|-----------------|----------------|----------------|----------------|----------------|----------------|-----|--------|
|                        | Description     | d <sub>1</sub> | d <sub>2</sub> | d <sub>3</sub> | l <sub>1</sub> | l <sub>2</sub> | s   |        |
| GN 7403-AL-G1/2-100    | G 1/2           | 26             | 10             | 8.5            | 7.5            | 23             | 100 | -      |
| GN 7403-AL-G1/2-500    | G 1/2           | 26             | 10             | 8.5            | 7.5            | 23             | 500 | -      |
| GN 7403-AL-G3/4-100    | G 3/4           | 32             | 14             | 9              | 8              | 30             | 100 | -      |
| GN 7403-AL-G3/4-500    | G 3/4           | 2              | 14             | 9              | 8              | 30             | 500 | -      |
| GN 7403-AL-G1-100      | G 1/2           | 40             | 20             | 11             | 8.5            | 36             | 100 | -      |
| GN 7403-AL-G1-500      | G 1             | 40             | 20             | 11             | 8.5            | 36             | 500 | -      |
| GN 7403-AL-M20x1.5-100 | M20x1.5         | 26             | 10             | 8.5            | 7.5            | 23             | 100 | -      |
| GN 7403-AL-M20x1.5-500 | M20x1.5         | 26             | 10             | 8.5            | 7.5            | 23             | 500 | -      |
| GN 7403-AL-M26x1.5-100 | M26x1.5         | 32             | 14             | 9              | 8              | 30             | 100 | -      |
| GN 7403-AL-M26x1.5-500 | M26x1.5         | 32             | 14             | 9              | 8              | 30             | 500 | -      |
| GN 7403-AL-M33x1.5-100 | M33x1.5         | 40             | 20             | 11             | 8.5            | 36             | 100 | -      |
| GN 7403-AL-M33x1.5-500 | M33x1.5         | 40             | 20             | 11             | 8.5            | 36             | 500 | -      |



ELESA and GANTER models all rights reserved in accordance with the law. Always mention the source when reproducing our drawings.

STANDARD MACHINE ELEMENTS WORLDWIDE