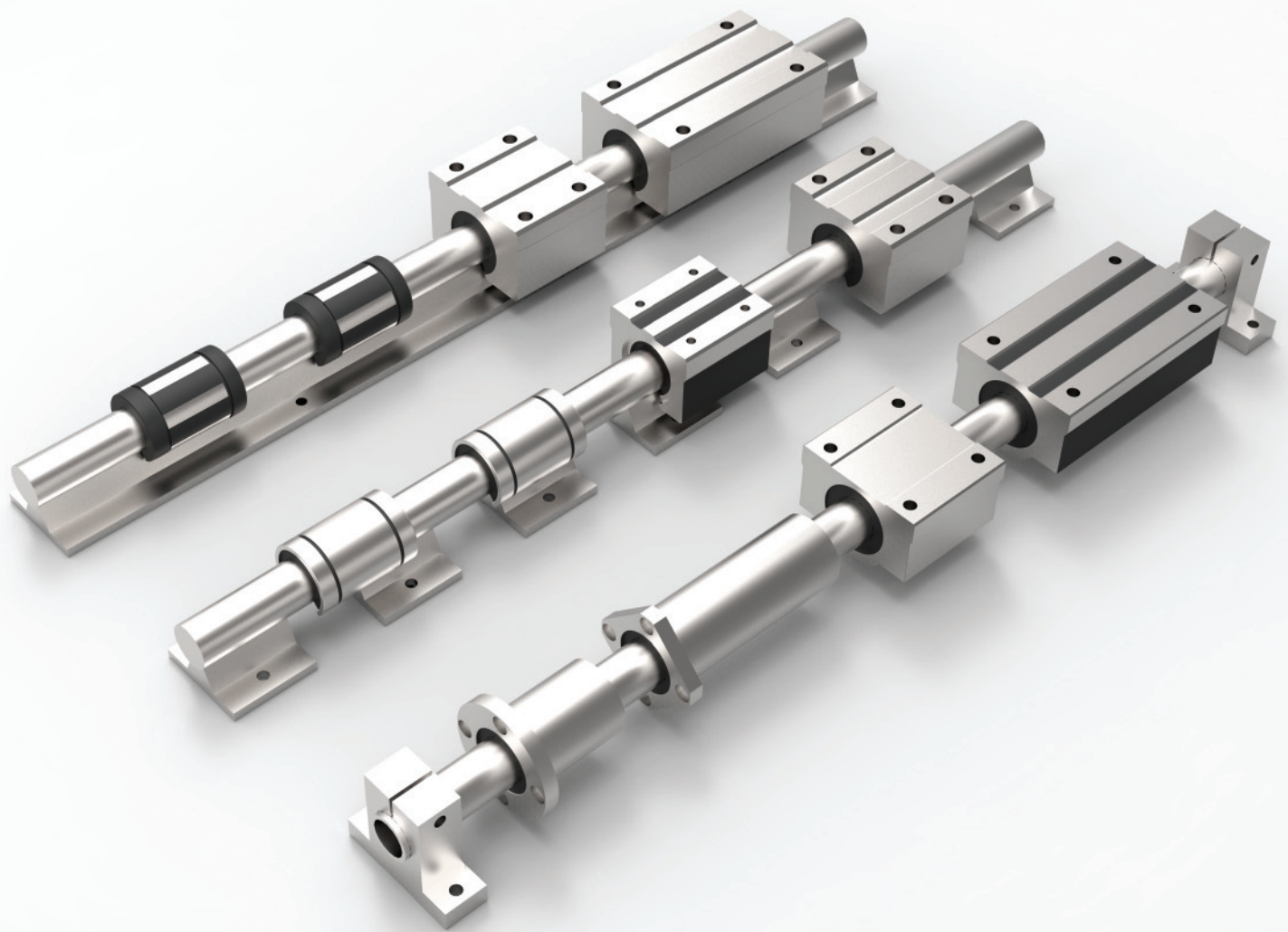






HepcoMotion®

Ball Bushings Range



Contents






Super Ball Bushing - European Standard

SBE - Super European Closed		2
SBEO - Super European Open		3
CS - Super European Pillow Block Closed		4
CSO - Super European Pillow Block Open		5

Standard Ball Bushing

LME - Standard European Closed		6-7
LME-OP - Standard European Open		6-7
LM - Standard Japanese Closed		8-9
LM-OP - Standard Japanese Open		8-9

Flanged Housing

LMF - Single Round Flanged		10-11
LMK - Single Square Flanged		10-11
LMF-L - Extended Length Round Flanged Units		12-13
LMK-L - Extended Length Square Flanged Units		12-13
LMEL - Extended Length B411 Bushing		14

HepcoMotion Precision Linear Shaft		15
Metric Shaft Support Rails		16
Aluminium Shaft Support		17
Housing and Shaft Tolerance		18-19
Assembly		18-19
Load / Life		20
Lubrication		21

HepcoMotion Standard Ball Bushings

Standard ball bushings from HepcoMotion offer dimensional interchangeability with all major manufacturers and incorporate a rigid steel outer sleeve with between 3 and 6 ball circuits depending on size. Ball retainers are made from high grade polyamide for superior performance and low friction.

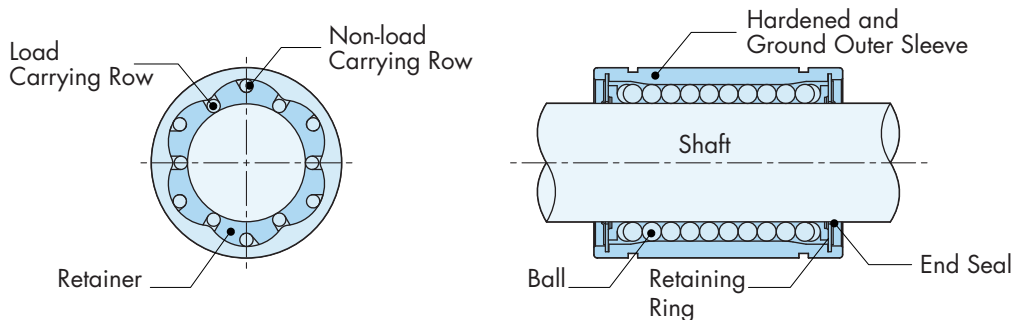


Fig 1. Linear Ball Bushing

HepcoMotion Super Ball Bushings

Super ball bushings from HepcoMotion offer approximately 3 times load capacity which equates to 27 times the life of standard ball bushings with the same overall dimensions. These high quality units consist of hardened steel segmented load bearing plates with precision ground ball tracks combined with a ± 0.5 degree self alignment feature. This ensures a uniform load distribution over the entire row of balls, preventing point loading that shortens life.

Self Alignment Feature

The outer surface of the steel load bearing plates are designed with a curved surface that in turn allows the bushing to absorb misalignment caused by inaccuracies between the shaft and ball bushing. In addition to ensuring equal load distribution, the feature provides smooth entry and exit of the balls in and out of the loading area.

The self alignment feature requires two super ball bushings to be mounted to one shaft in a conventional two parallel shaft arrangement.

- Super ball bushings are interchangeable with the ISO standard. (All main dimensions, outside diameter, bore and length are the same).
- Super ball bushings will reduce preparation and assembly time, as any shaft deflection and inaccuracies in the machining process will be accommodated by the self alignment feature.
- Easy entry and exit ball feature.
- Ball retainers are made from a high grade polyamide maintaining low friction over the entire travel length.
- Friction coefficient of 0.001 with oil lubrication.
- Can operate at temperatures up to 100°C and speeds up to 3m/sec.

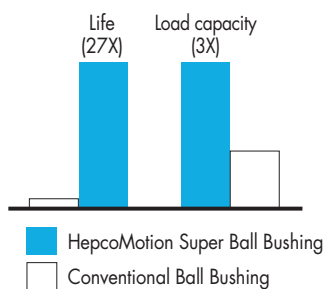


Fig 2. Comparing Life and Load Capacity

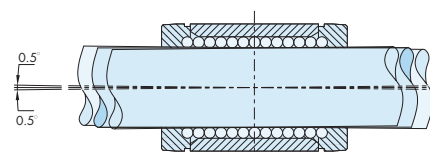
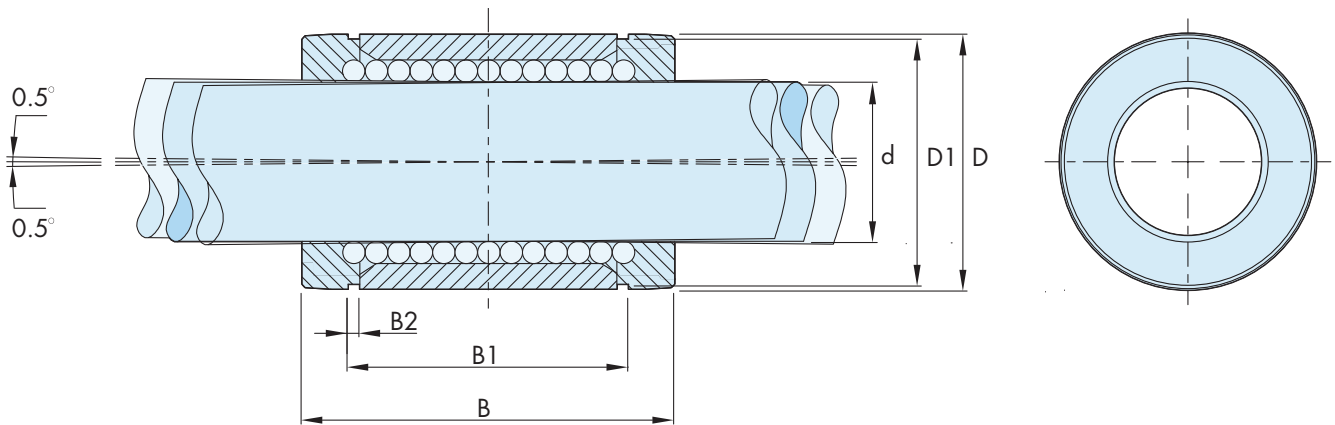
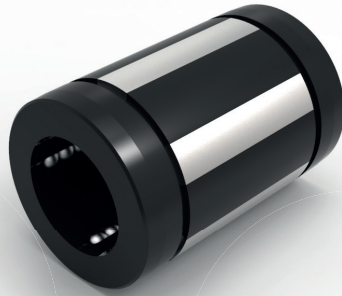


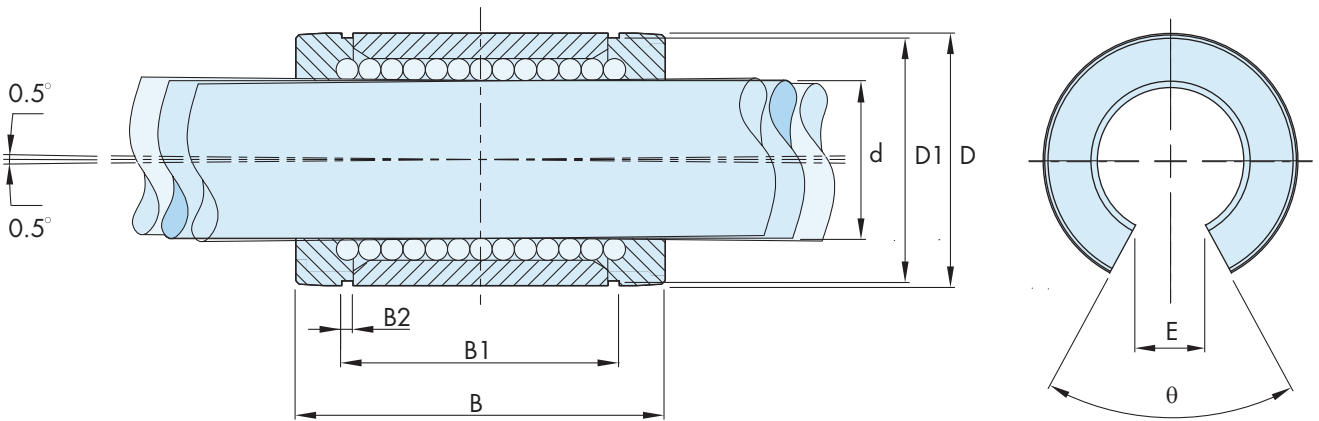
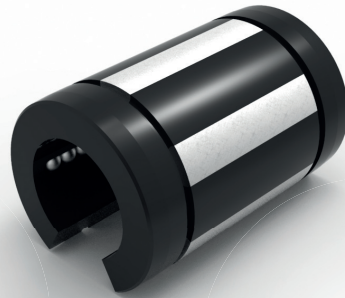
Fig 3. $\pm 0.5^\circ$ of Self-Alignment

SBE type - Super European Ball Bushing (self aligning) Closed Type



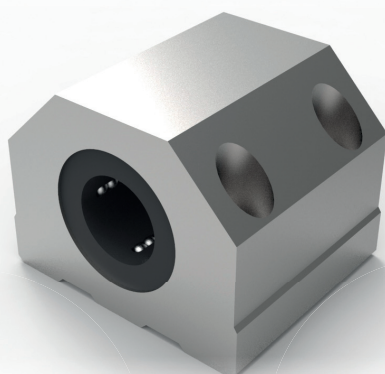
Part No.			Dimensions					Shaft	No. Ball Rows	Basic Load Ratings		Weight (g)
With Two Seals (Stock Range)	With One Seal	Without Seal	D	D1	B	B1	B2	d		dyn. C (N)	stat. Co (N)	
SBE16UU	SBE16U	SBE16	26	24.9	36	24.6	1.3	16	5	1176	607	26
SBE20UU	SBE20U	SBE20	32	30.5	45	31.2	1.6	20	6	2352	1254	60
SBE25UU	SBE25U	SBE25	40	38.5	58	43.7	1.85	25	6	4508	2195	120
SBE30UU	SBE30U	SBE30	47	44.5	68	51.7	1.85	30	6	5586	2959	184
SBE40UU	SBE40U	SBE40	62	58.5	80	60.3	2.15	40	6	9310	4312	342
SBE50UU	SBE50U	SBE50	75	71.5	100	77.3	2.65	50	6	13720	6762	586

SBEO type - Super European Ball Bushing (self aligning) Open Type

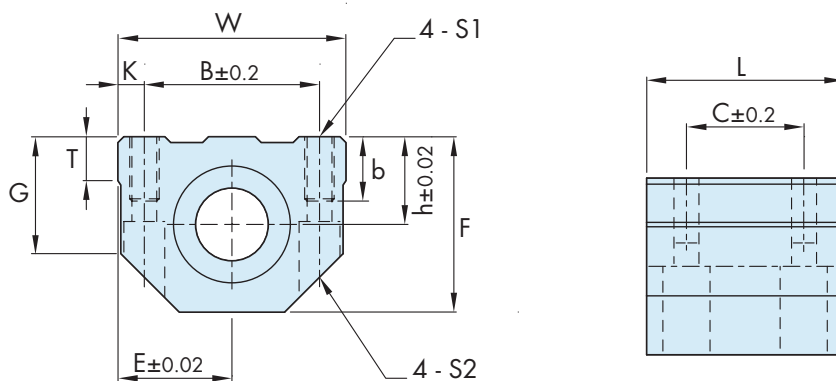


Part No.			Dimensions						Angle	Shaft d	No. Ball Rows	Basic Load Ratings		Weight (g)
With Two Seals (Stock Range)	With One Seal	Without Seal	D	D1	B	B1	B2	E	θ			dyn. C (N)	stat. Co (N)	
SBEO16UU	SBEO16U	SBEO16	26	24.9	36	24.6	1.3	9	68°	16	4	1176	607	20
SBEO20UU	SBEO20U	SBEO20	32	30.5	45	31.2	1.6	9	55°	20	5	2352	1254	50
SBEO25UU	SBEO25U	SBEO25	40	38.5	58	43.7	1.85	11.5	57°	25	5	4508	2195	100
SBEO30UU	SBEO30U	SBEO30	47	44.5	68	51.7	1.85	14	57°	30	5	5586	2959	154
SBEO40UU	SBEO40U	SBEO40	62	58.5	80	60.3	2.15	19.5	56°	40	5	9310	4312	286
SBEO50UU	SBEO50U	SBEO50	75	71.5	100	77.3	2.65	22.5	54°	50	5	13720	6762	486

CS type - Super European Ball Bushing Pillow Block Closed Type

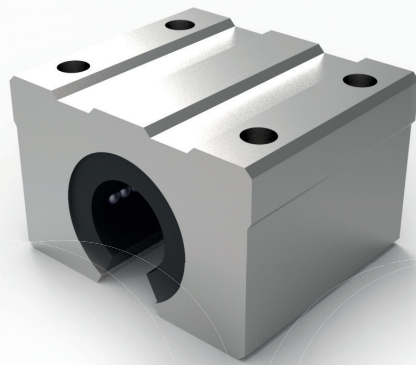


(with 1pc self aligning SBE ball bushing)

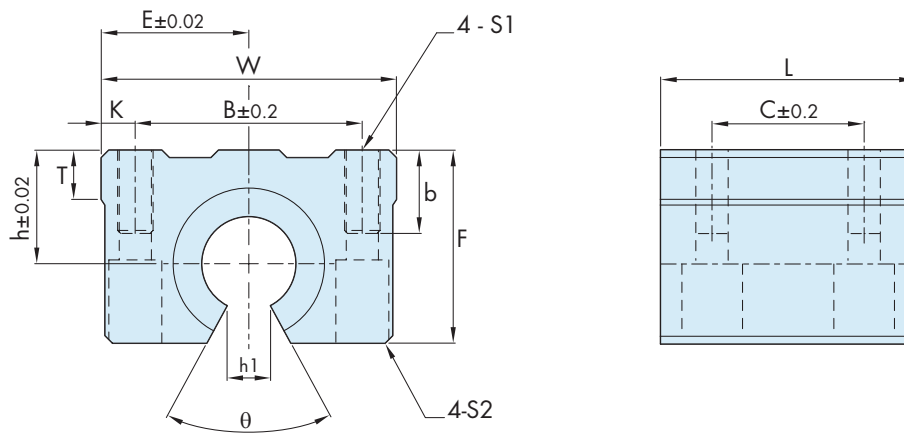


Part No.	Dimensions							Mounting Dimensions						Shaft	No. Ball Rows	Basic Load Ratings		Weight (g)
	h	E	W	L	F	G	T	B	C	K	b	S1	S2			dyn. C (N)	stat. Co (N)	
CS16UUB	22	26.5	53	43	42	29	10	40	26	6.5	13	M6	M5	16	5	1176	607	204
CS20UUB	25	30	60	54	50	34	12	45	32	7.5	18	M8	M6	20	6	2352	1254	340
CS25UUB	30	39	78	67	60	40	15	60	40	9	22	M10	M8	25	6	4508	2195	636
CS30UUB	35	43.5	87	79	70	48	17	68	45	9.5	22	M10	M8	30	6	5586	2959	970
CS40UUB	45	54	108	91	90	62	22	86	58	11	26	M12	M10	40	6	9310	4312	1740
CS50UUB	50	66	132	113	105	68	25	108	50	12	34	M16	M12	50	6	13720	6762	2922

CSO type - Super European Ball Bushing Pillow Block Open Type

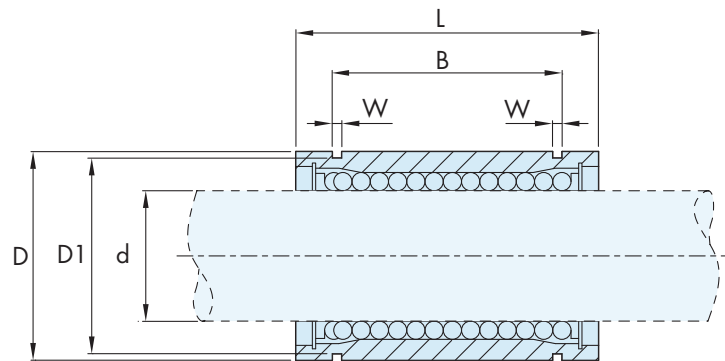
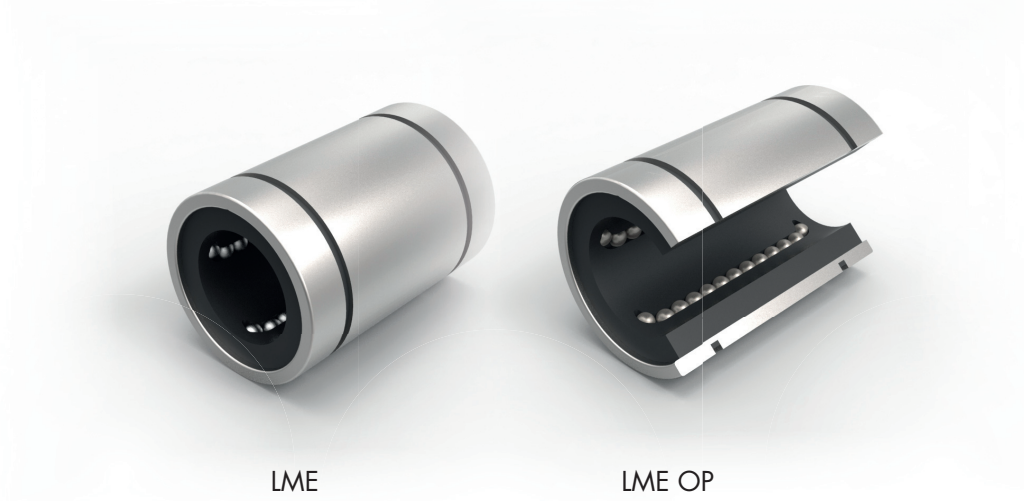


(with 1pc self aligning SBEO ball bushing)



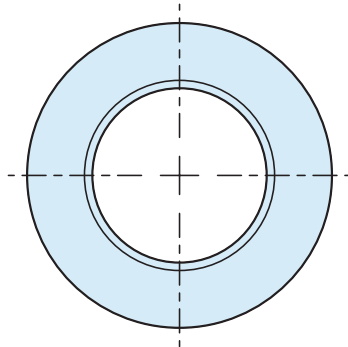
Part No.	Dimensions							Mounting Dimensions						Shaft	No. Ball Rows	Basic Load Ratings		Weight (g)
	h	E	W	L	F	T	h ₁	θ	B	C	b	S1	S2			dyn. C (N)	stat. C ₀ (N)	
CSO16UUB	22	26.5	53	43	35	8	9	68°	40	26	13	M6	M5	16	4	1176	607	160
CSO20UUB	25	30	60	54	42	10	9	55°	45	32	18	M8	M6	20	5	2352	1254	280
CSO25UUB	30	39	78	67	51	13	11.5	57°	60	40	22	M10	M8	25	5	4508	2195	552
CSO30UUB	35	43.5	87	79	60	15	14	57°	68	45	22	M10	M8	30	5	5586	2959	846
CSO40UUB	45	54	108	91	77	20	19.5	56°	86	58	26	M12	M10	40	5	9310	4312	1516
CSO50UUB	50	66	132	113	88	25	22.5	54°	108	50	34	M16	M12	50	5	13720	6762	2546

LME Series - Standard European Ball Bushing

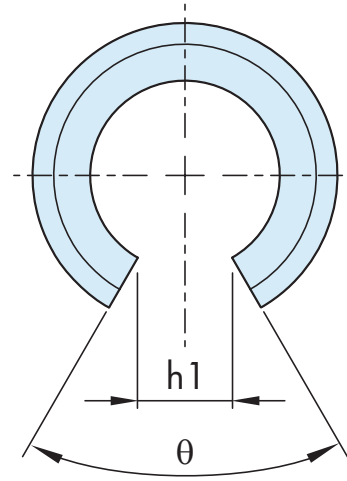


LME Series				Basic Load Ratings		Working Bore Diameter
Standard Type		Open Type		dyn. C (N)	stat. Co (N)	d (mm)
Part No.	No. of Ball Circuit	Part No.	No. of Ball Circuit			
LME5UU	4	-	-	200	260	5
LME8UU	4	-	-	260	400	8
LME12UU	4	LME12UUOP	3	410	590	12
LME16UU	5	LME16UUOP	4	770	1170	16
LME20UU	5	LME20UUOP	4	860	1370	20
LME25UU	6	LME25UUOP	5	980	1560	25
LME30UU	6	LME30UUOP	5	1560	2740	30
LME40UU	6	LME40UUOP	5	2150	4010	40
LME50UU	6	LME50UUOP	5	3280	7930	50
LME60UU	6	LME60UUOP	5	4700	9990	60

LME Series - Standard European Ball Bushing



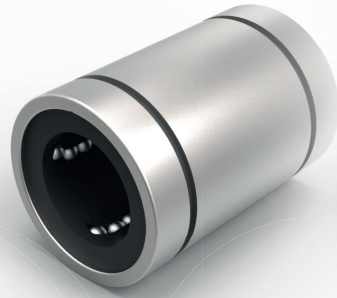
LME



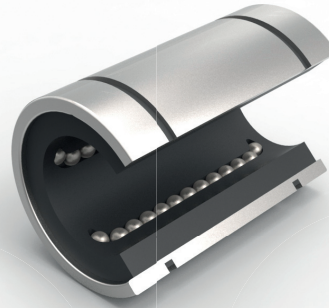
LME OP

Part No.	Part No.	Dimensions (mm)										Weight (g)
		D		L		B		W	D1	h1	θ	
		(mm)	Tol. (μm)	(mm)	Tol. (mm)	(mm)	Tol. (mm)					
LME5UU	-	12	0	22	0	14.5	0	1.1	11.5	-	-	12
LME8UU	-	16	-8	25		16.5		1.1	15.2	-	-	20
LME12UU	LME12UUOP	22	0	32	-0.2	22.9	-0.2	1.3	21	7.5	78°	41
LME16UU	LME16UUOP	26	-9	36		24.9		1.3	24.9	10	78°	57
LME20UU	LME20UUOP	32	0	45	0	31.5	0	1.6	30.3	10	60°	91
LME25UU	LME25UUOP	40		-11		58		44.1	1.85	37.5	12.5	60°
LME30UU	LME30UUOP	47	0	68	-0.3	52.1	-0.3	1.85	44.5	12.5	50°	325
LME40UU	LME40UUOP	62		-13		80		60.6	2.15	59	16.8	50°
LME50UU	LME50UUOP	75	0	100	-0.4	77.6	-0.4	2.65	72	21	50°	1130
LME60UU	LME60UUOP	90		-15		125		101.7	3.15	27.2	27.2	54°

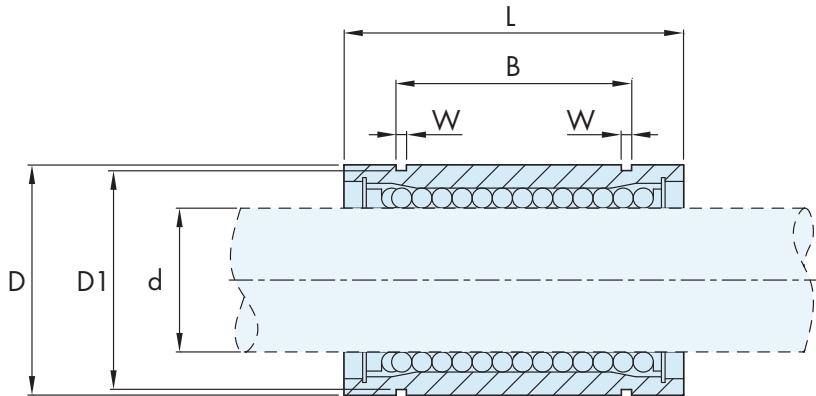
LM Series - Standard Japanese Ball Bushing



LM

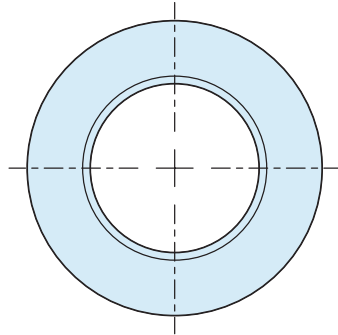


LM OP

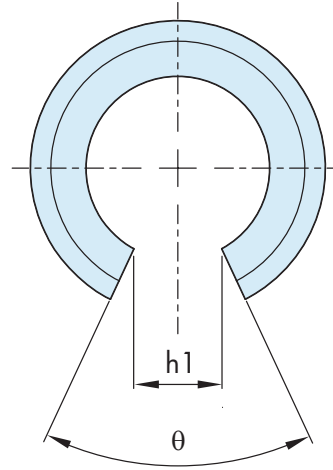


LM Series				Basic Load Ratings		Working Bore Diameter
Standard Type		Open Type		dyn. C (N)	stat. Co (N)	d (mm)
Part No.	No. of Ball Circuit	Part No.	No. of Ball Circuit			
LM4UU	4	-	-	88	108	4
LM5UU	4	-	-	167	206	5
LM6UU	4	-	-	200	260	6
LM8SUU	4	-	-	170	220	8
LM8UU	4	-	-	260	400	8
LM10UU	4	-	-	370	540	10
LM12UU	4	LM12UUOP	3	410	590	12
LM13UU	4	LM13UUOP	3	500	770	13
LM16UU	5	LM16UUOP	4	770	1170	16
LM20UU	5	LM20UUOP	4	860	1370	20
LM25UU	6	LM25UUOP	5	980	1560	25
LM30UU	6	LM30UUOP	5	1560	2740	30
LM35UU	6	LM35UUOP	5	1660	3130	35
LM40UU	6	LM40UUOP	5	2150	4010	40
LM50UU	6	LM50UUOP	5	3820	7930	50
LM60UU	6	LM60UUOP	5	4700	9990	60

LM Series - Standard Japanese Ball Bushing



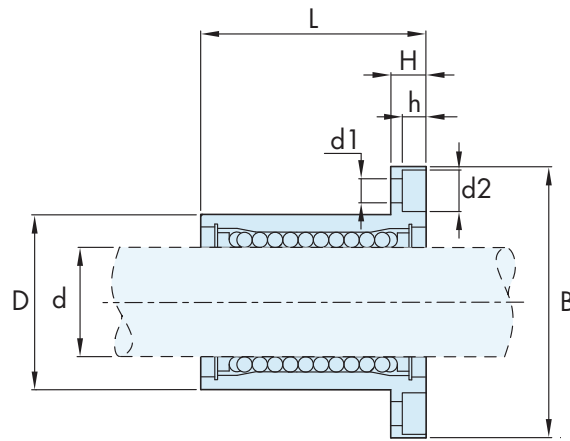
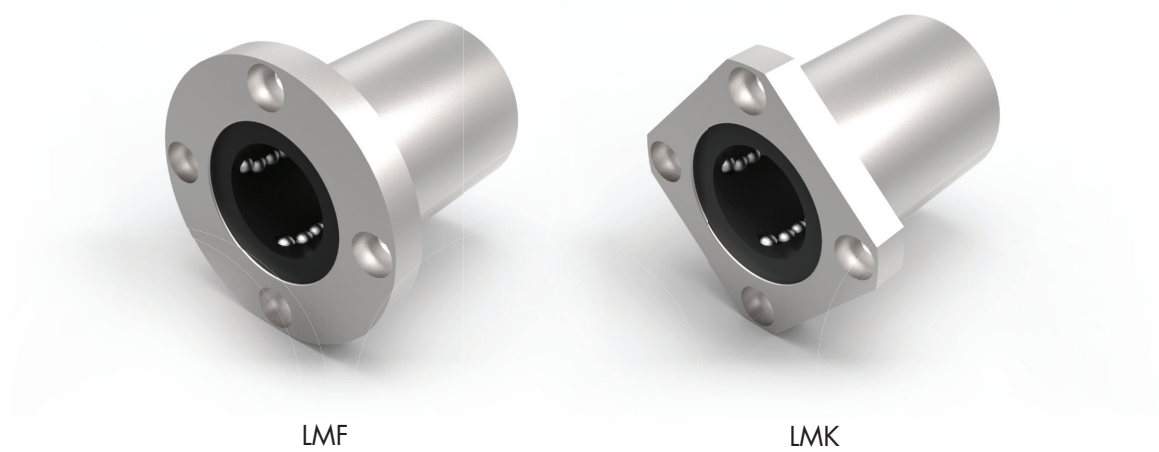
LM



LM OP

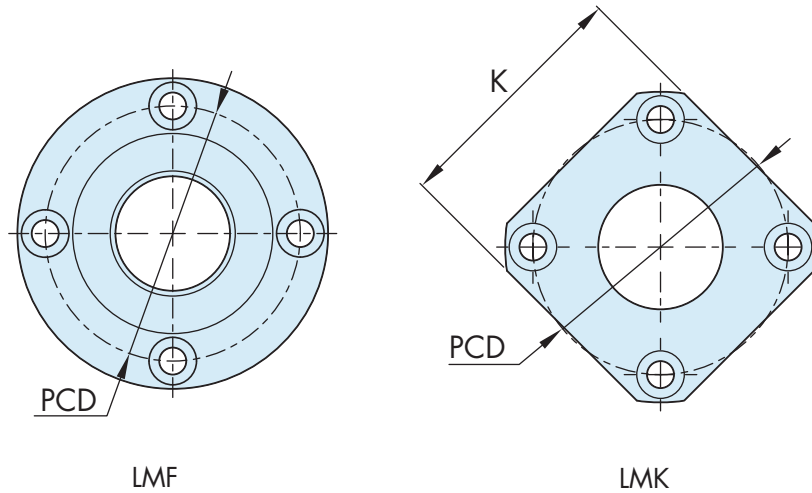
Part No.	Part No.	Dimensions (mm)										Weight (g)
		D		L		B		W	D1	h1	θ	
		(mm)	Tol. (μm)	(mm)	Tol. (mm)	(mm)	Tol. (mm)					
LM4UU	-	8	0 -9	12	0 -0.12	-	-	-	-	-	-	1.9
LM5UU	-	10	0 -8	15	0 -0.12	10.2	0 -0.2	1.1	9.6	-	-	4
LM6UU	-	12	0 -11	19	0 -0.2	13.5		1.1	11.5	-	-	8
LM8SUU	-	15		17		11.5		1.1	14.3	-	-	11
LM8UU	-	15		24		17.5		1.1	14.3	-	-	16
LM10UU	-	19	0 -13	29		0 -0.2		22	1.3	18	-	-
LM12UU	LM12UUOP	21		30			23	1.3	20	8	80°	31.5
LM13UU	LM13UUOP	23		32	23		1.3	22	9	80°	43	
LM16UU	LM16UUOP	28		37	26.5		1.6	27	11	80°	69	
LM20UU	LM20UUOP	32	0 -16	42	0 -0.3		30.5	1.6	30.5	11	60°	87
LM25UU	LM25UUOP	40		59		41	1.85	38	12	50°	220	
LM30UU	LM30UUOP	45		64		44.5	1.85	43	15	50°	250	
LM35UU	LM35UUOP	52	0 -19	70		0 -0.3	49.5	2.1	49	17	50°	390
LM40UU	LM40UUOP	60		80			60.5	2.1	57	20	50°	585
LM50UU	LM50UUOP	80		100	74		2.6	76.5	25	50°	1580	
LM60UU	LM60UUOP	90	0 -22	110	85		3.15	86.5	30	50°	2000	

LMF/K Series - Standard Flanged Units



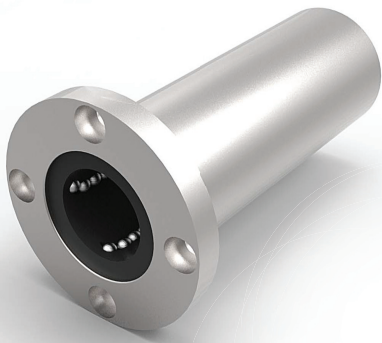
Part No.		No. of Ball Circuit	Weight (g)	Basic Load Ratings		Working Bore Diameter
Circular type	Square type			Dyn. C (N)	Stat. Co (N)	d (mm)
LMF6UU	LMK6UU	4	26.5	200	260	6
LMF8SUU	LMK8SUU	4	34.0	170	220	8
LMF8UU	LMK8UU	4	40.0	260	400	8
LMF10UU	LMK10UU	4	78.0	370	540	10
LMF12UU	LMK12UU	4	76.0	410	590	12
LMF13UU	LMK13UU	4	94.0	500	770	13
LMF16UU	LMK16UU	5	134.0	770	1170	16
LMF20UU	LMK20UU	5	180.0	860	1370	20
LMF25UU	LMK25UU	6	340.0	980	1560	25
LMF30UU	LMK30UU	6	460.0	1560	2740	30
LMF35UU	LMK35UU	6	795.0	1660	3130	35
LMF40UU	LMK40UU	6	1054.0	2150	4010	40
LMF50UU	LMK50UU	6	2200.0	3820	7930	50
LMF60UU	LMK60UU	6	2960.0	4700	9990	60

LMF/K Series - Standard Flanged Units

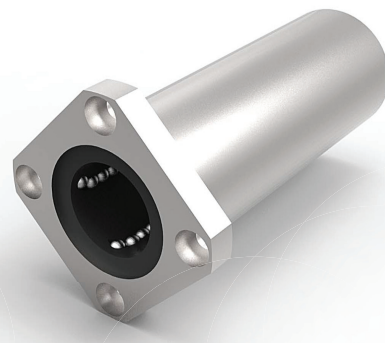


Part No.		Dimensions (mm)									
		D		L		B		H	PCD	K	d1 x d2 x h
Circular type	Square type	(mm)	Tol. (µm)	(mm)	Tol. (mm)	(mm)	Tol. (mm)				
LMF6UU	LMK6UU	12	0 -11	19	0 -0.2	28	0 -0.2	5	20	22	3.4 x 6.5 x 3.3
LMF8SUU	LMK8SUU	15		17		32		5	24	25	3.4 x 6.5 x 3.3
LMF8UU	LMK8UU	15	24	32		5		24	25	3.4 x 6.5 x 3.3	
LMF10UU	LMK10UU	19	29	40		6		29	30	4.5 x 8 x 4.4	
LMF12UU	LMK12UU	21	0 -13	30		42		6	32	32	4.5 x 8 x 4.4
LMF13UU	LMK13UU	23		32		43		6	33	34	4.5 x 8 x 4.4
LMF16UU	LMK16UU	28	37	48		6		38	37	4.5 x 8 x 4.4	
LMF20UU	LMK20UU	32	0 -16	42		54		8	43	42	5.5 x 9.5 x 5.4
LMF25UU	LMK25UU	40		59		62		8	51	50	5.5 x 9.5 x 5.4
LMF30UU	LMK30UU	45	64	74		10		60	58	6.6 x 11 x 6.5	
LMF35UU	LMK35UU	52	0 -19	70	82	10	67	64	6.6 x 11 x 6.5		
LMF40UU	LMK40UU	60		80	96	13	78	75	9 x 14 x 8.6		
LMF50UU	LMK50UU	80	100	116	0 -0.3	13	98	92	9 x 14 x 8.6		
LMF60UU	LMK60UU	90	0 -22	110		134	18	112	106	11 x 17.5 x 10.8	

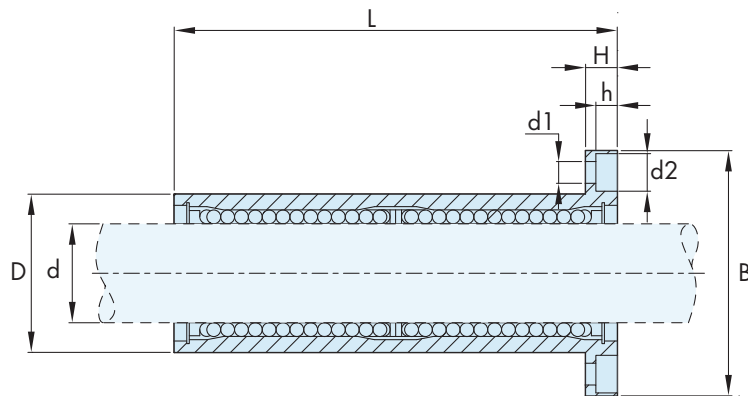
LMF/KL Series - Extended Length Flanged Units



LMF L

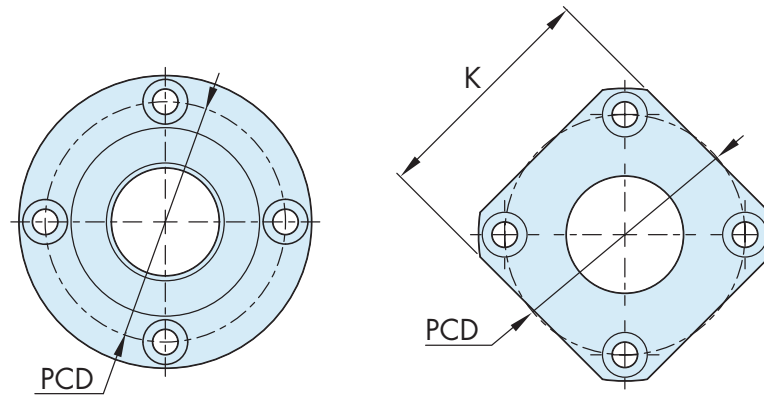


LMK L



Part No.		No. of Ball Circuit	Weight (g)	Basic Load Ratings		Working Bore Diameter
Circular Type	Square Type			dyn. C (N)	stat. Co (N)	d (mm)
LMF6LUU	LMK6LUU	4	31	320	520	6
LMF8SLUU	LMK8SLUU	4	53	430	780	8
LMF10LUU	LMK10LUU	4	105	580	1100	10
LMF12LUU	LMK12LUU	4	100	650	1200	12
LMF13LUU	LMK13LUU	4	130	810	1570	13
LMF16LUU	LMK16LUU	5	187	1230	2350	16
LMF20LUU	LMK20LUU	5	260	1400	2750	20
LMF25LUU	LMK25LUU	6	515	1560	3140	25
LMF30LUU	LMK30LUU	6	655	2490	5490	30
LMF35LUU	LMK35LUU	6	970	2650	6470	35
LMF40LUU	LMK40LUU	6	1560	3430	8040	40
LMF50LUU	LMK50LUU	6	3500	6080	15900	50
LMF60LUU	LMK60LUU	6	4500	7650	20000	60

LMF/KL Series - Extended Length Flanged Units

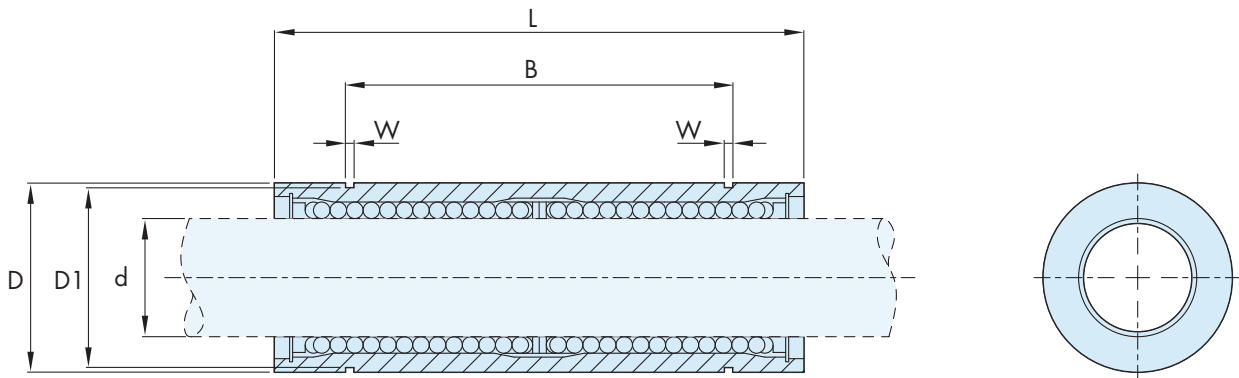
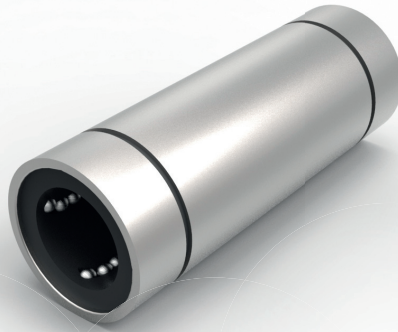


LMFL

LMKL

Part No.		Dimensions (mm)									
		D		L		B		H	PCD	K	d1 x d2 x h
Circular Type	Square Type	(mm)	Tol. (mm)	(mm)	Tol. (mm)	(mm)	Tol. (µm)				
LMF6LUU	LMK6LUU	12	0	35	-0.3	28	-0.2	5	20	22	3.4x6.5x3.3
LMF8SLUU	LMK8SLUU	15	-13	45		32		5	24	25	3.4x6.5x3.3
LMF10LUU	LMK10LUU	19	0	55		40		6	29	30	4.5x8x4.4
LMF12LUU	LMK12LUU	21		57	42	6	32	32	4.5x8x4.4		
LMF13LUU	LMK13LUU	23		-16	61	43	6	33	34	4.5x8x4.4	
LMF16LUU	LMK16LUU	28	0	70	-0.4	48	0	6	38	37	4.5x8x4.4
LMF20LUU	LMK20LUU	32		80		54		8	43	42	5.5x9.5x5.4
LMF25LUU	LMK25LUU	40		-16		112		62	8	51	50
LMF30LUU	LMK30LUU	45	0	123	0	74	-0.3	10	60	58	6.6x11x6.5
LMF35LUU	LMK35LUU	52		135		82		10	67	64	6.6x11x6.5
LMF40LUU	LMK40LUU	60		-19		154		96	13	78	75
LMF50LUU	LMK50LUU	80	0	192	-0.4	116	0	13	98	92	9x14x8.6
LMF60LUU	LMK60LUU	90		-22		211		134	18	112	106

LME Series - Extended Length Ball Bushing



LME Series		Working Bore Diameter	Dimensions (mm)								Basic Load Ratings		
Part No.	No. of Ball Circuit		D		L		B		W	D1	Weight (g)	dyn. C (N)	stat. Co (N)
		d (mm)	(mm)	Tol. (μm)	(mm)	Tol. (mm)	(mm)	Tol. (mm)					
LME8LUU	4	8	16	0 -9	45	0 -0.3	33	0 -0.3	1.1	15.2	31	430	780
LME12LUU	4	12	22	0 -11	57		45.8		1.3	21	80	650	1200
LME16LUU	5	16	26		70		49.8		1.3	24.9	145	1230	2350
LME20LUU	5	20	32	0 -13	80	0 -0.4	61	0 -0.4	1.6	30.3	180	1400	2750
LME25LUU	6	25	40		112		82		1.85	38	440	1560	3140
LME30LUU	6	30	47		123		104.5		1.85	44.5	580	2490	5490
LME40LUU	6	40	62	0 -15	154	0 -0.4	121.2	0 -0.4	2.15	59	1170	3430	8040
LME50LUU	6	50	75	192	155.2		2.65		72	3100	6080	15900	
LME60LUU	6	60	90	0 -20	211		170		3.15	86.5	3500	7650	20000

Precision Linear Shaft

Correct shaft selection is vital if maximum performance is to be achieved from our linear system. Hepco Precision Shaft has been developed to provide excellent performance when used with either recirculating ball bushings or plain bearing technology.

An extensive range of shaft materials are available and HepcoMotion offers a full machining facility with fast turnaround.

Other types of shaft available include:

- Specials (up to 150mm Ø).
- Tubing (Please enquire).



Shaft Type: Metric	Part Ref.	Hardness RC	TOL	Diameter Options															
				4	5	6	8	10	12	13	16	20	25	30	35	40	50	60	80
Metric Carbon Steel CK53 Hardened and Ground	NIMxx	60	h6	√	√	√	√	√	√	√	√	√	√	√	√	√	√	√	√
Metric Stainless Steel (400 series) Hardened and Ground	NIMxx-SS	50	h6	√	√	√	√	√	√	√	√	√	√	√	√	√	√	√	√
Metric Soft Stainless Steel (300 Series) Ground	NIMxx-SS316	X	h6	√	√	√	√	√	√	√	√	√	√	√	√	√	√	√	√
Metric Hardcoat Anodised Aluminium	NIMAx	X	h6	-	-	-	√	√	√	-	√	√	√	-	-	-	-	-	-

Shaft Type: Imperial	Part Ref.	Hardness RC	TOL	Diameter Options										
				3/16	1/4	3/8	1/2	5/8	3/4	1	1 1/4	1 1/2	2	
Imperial Carbon Steel CK53 Hardened and Ground	NILxx	60	Class L	√	√	√	√	√	√	√	√	√	√	√
Imperial Stainless Steel (400 Series) Hardened and Ground	NILxx-SS	50	Class L	√	√	√	√	√	√	√	√	√	√	
Imperial Soft Stainless Steel (300 Series) Ground	NILxx-SS316	X	Class L	√	√	√	√	√	√	√	√	√	√	
Imperial Hardcoat Anodised Aluminium	NILAx	X	Class L	√	√	√	√	√	√	√	√	√	√	

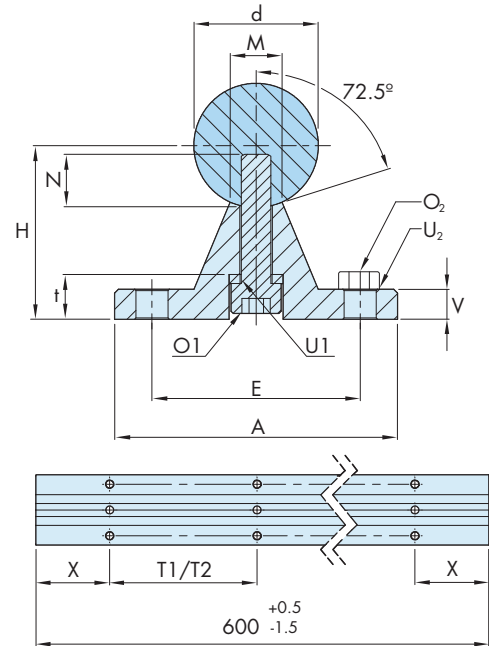
Metric Shaft Support Rails

Shaft support rails will prevent shaft deflection under load and provide a high level of rigidity in order to achieve optimum performance from your open type Hepco Ball Bushing or any other open recirculating or plain linear bushing.

Support Rails are of low overall height making them particularly suitable for use with Hepco Pillow Blocks. The standard support rail is manufactured from aluminium alloy and comes in 600mm lengths only. These are then cut/butted together to fit to the overall length of the one piece shaft.

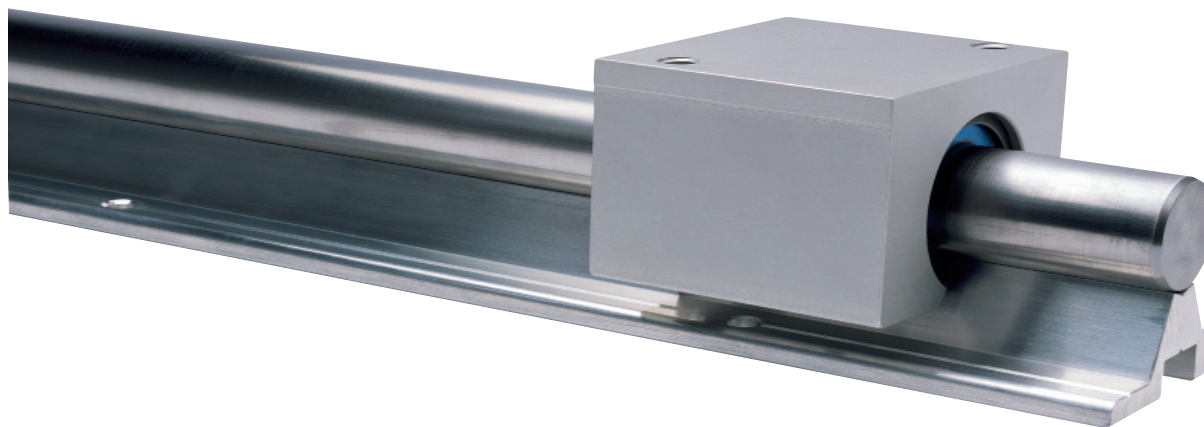
All types of shaft can be supplied drilled for customer assembly or fitted to the support rails for ease of supply.

For standard 600mm aluminium support rails, X = half of T1 or T2. For support rails which require cutting/butting, please confirm Dimension X when ordering.



$$X = 1/2 \text{ hole pitch } T_1 \text{ or } T_2$$

For Shaft Diameter	d	H ₁ ±0.01	A	V	M	O ₁	U ₁	N	E	t	O ₂	U ₂	T1	T2
12	12	22	40	5	5.8	M4X20	4	8	29	4.5	M4	4	75	120
16	16	26	45	5	7	M5X20	5	9	33	7.6	M5	5	100	150
20	20	32	52	6	8.3	M6X25	6	11	37	8.6	M6	6	100	150
25	25	36	57	6	10.8	M8X30	8	15	42	9	M6	6	120	200
30	30	42	69	7	11	M10X35	10	17	51	10	M8	8	150	200
40	40	50	73	8	15	M10X40	10	19	55	9.5	M8	8	200	300
50	50	60	84	9	19	M12X45	12	21	63	11.2	M10	10	200	300



Ordering Shaft

Shaft & Support Rail Fully Assembled

Simply prefix the shaft reference with AU.

Example – AU NIM 20 X L2000 T2

Drilled Shaft Only

Simply state the shaft reference and add T1 or T2 depending upon shaft hole centres required.

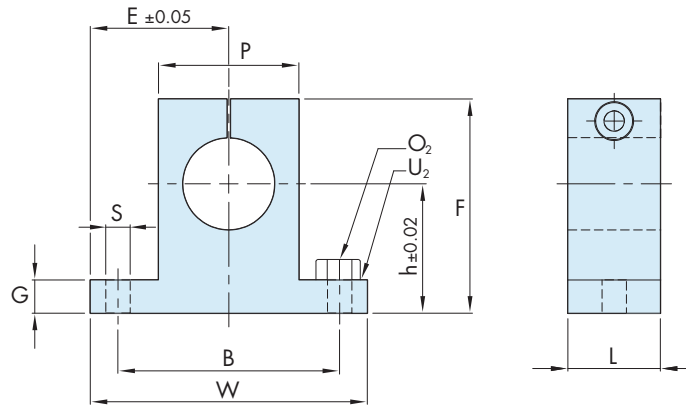
Example – NIM 20 X L2000 T2

Support Rails Only

Aluminium Support Rails (SR) supplied in lengths up to 2000mm. Simply state whether T1 or T2 mounting hole spacing is required.

Example – Support Rail for 20mm Shaft T2
Hole Centre – SR20 – T2

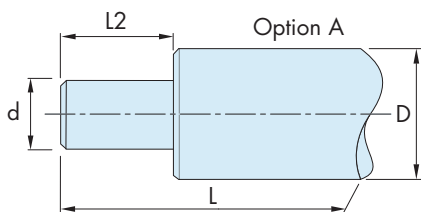
Aluminium Shaft Supports



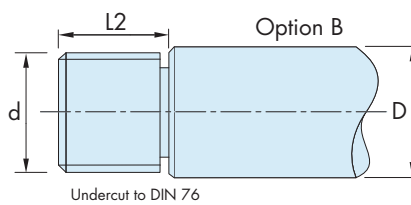
Part No.	Nominal Shaft Diameter	Major Dimensions									O ₂	U ₂	Weight (g)
		h	E	W	L	F	G	P	B	S			
ASS10	10	17	18.5	37	10	30	5	18	28	4.5	M4	4	24
ASS12	12	20	21	42	15	35	5.5	20	32	5.5	M5	5	30
ASS16	16	25	25	50	15	42	6	26	40	5.5	M5	5	40
ASS20	20	30	30	60	20	50	8	32	45	5.5	M5	5	70
ASS25	25	35	37	75	25	58	9	38	60	6.6	M6	6	130
ASS30	30	40	42	84	30	68	10	45	68	9	M8	8	180
ASS40	40	50	54	108	30	86	12	56	86	11	M10	10	420
ASS50	50	60	65	130	40	100	14	80	108	11	M10	10	750

Machined Ends

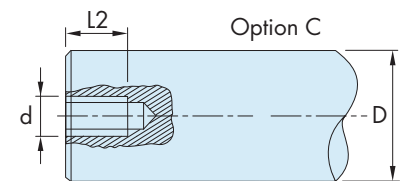
HepcoMotion can undertake shaft machining to standard ends as shown below or specials to customers' drawings.



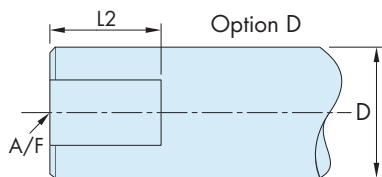
Spigot
 One end Both ends



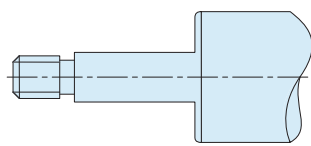
Threaded Spigot
 One end Both ends



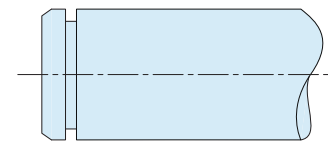
Drilled and Tapped
 One end Both ends



Single Flat Double Flat
 One end Both ends



Please send drawing



Please send drawing

Housing and Shaft Tolerance - Super Ball Bushing

The recommended housing and shaft tolerances for Super Ball Bushings are shown in table 1.

Table 1. Super Ball Bushing SBE/SBEO

Part No.	16	20	25	30	40	50
Outer Diameter (D)	26	32	40	47	62	75
Housing Bore (H7)	+0.021 0	+0.025 0			+0.030 0	
Shaft Tol (h6)	✓	✓			✓	

Assembly - Super Ball Bushing

Use of a jig (see figure 5) is recommended for insertion into a housing. Care should be taken not to exert pressure on the ball retainer or seals.

The edge of the housing bore must be chamfered. Correct alignment is essential in order to prevent damage.

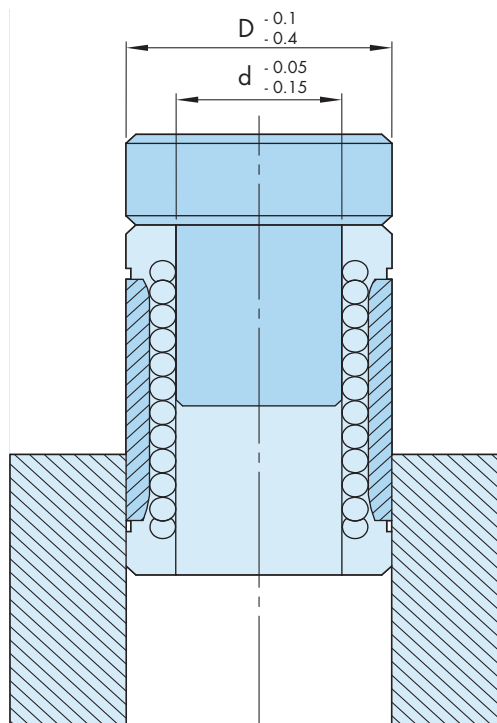


Fig 5. Use of a Jig

Housing and Shaft Tolerance - Standard Ball Bushing

The recommended housing and shaft tolerances for Standard Ball Bushings are shown in table 2.

Table 2. Standard Ball Bushing LME/LME-OP

Part No.	5	8	12	16	20	25	30	40	50	60
Outer Diameter (D)	12	16	22	26	32	40	47	62	75	90
Housing Bore (H7)	+0.018 0		+0.021 0		+0.025 0			+0.030 0		+0.035 0
Shaft Tol (h6)	✓		✓		✓			✓		✓

Assembly - Standard Bull Bushing

Possible mounting methods are illustrated in Figure 6. and Figure 7. with retaining rings and cover plates.

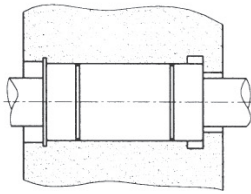


Fig 6. Mounting With Retaining Rings

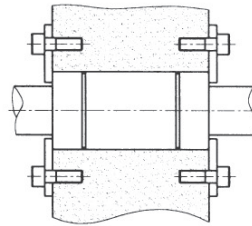
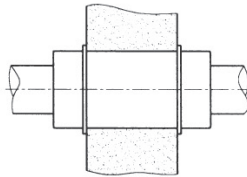
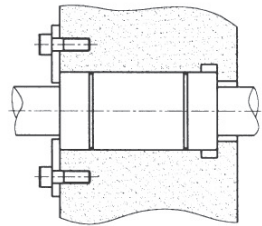


Fig 7. Mounting With Cover Plates



Load / Life Calculation

Basic Dynamic Rating (C)

The basic Dynamic Load Rating (C) is the maximum continuous load that can be applied to a bearing with a 90% probability that a working life of 50 km will be achieved.

There are two key factors to the load calculation that may need to be applied depending on the application conditions.

Shaft hardness factor (FH)

The hardness of the shaft should be 60 RC +/- 2, refer to figure 8 for shaft hardness factors.

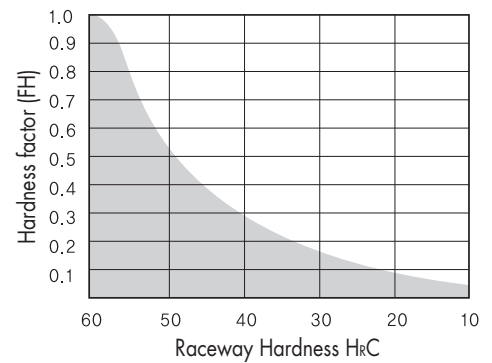


Fig 8. Hardness Factor (FH)

Temperature factor (FT)

$$L = \left(\frac{C}{P} \cdot FH \cdot FT \right)^3 \cdot 50 \text{ (km)}$$

- L : Running distance life (km)
- C : Basic dynamic load rating (N)
- P : Applied load (N)
- FH : Hardness factor (figure 8.)
- FT : Temperature factor (figure 9.)

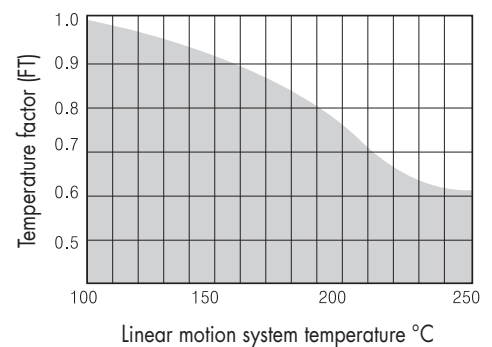


Fig 9. Temperature Factor (FT)

Ball bushings in this range are designed to work at a maximum temperature of 100 degrees C, for temperatures higher than this please apply the temperature factor as indicated in figure 9.

Basic Static Load Rating (Co)

The Basic Static Load Rating (Co) is the static load that will permanently cause deformation of the bushing ball track equivalent to 0.01% of the ball diameter. It is good practice to limit the maximum static force to a maximum of 80%.

Short Stroke Life Reduction

Where the stroke distance is less than a Ball Bushing length the calculated life will be reduced by up to 70%.

Lubrication

For best performance, and to achieve a long and trouble free life, ball bushings require lubrication with either oil or grease.

Grease Lubrication

For grease lubrication the anticorrosive protection oil should be removed prior to assembly ensuring that the bearing is dry before applying grease.

Grease should be applied directly to the ball circuits prior to fitting, generally a lithium soap grease ISO viscosity grade 2 is recommended for general use.

Oil Lubrication

For oil lubrication it is not necessary to remove the anticorrosive protection from the bushing. The viscosity grade will be dependent on the operating temperature, please see the chart below.

Operating Temp.	Viscosity
-30°C ~ 50°C	VG 15 ~ 46
50°C ~ 80°C	VG 46 ~ 100

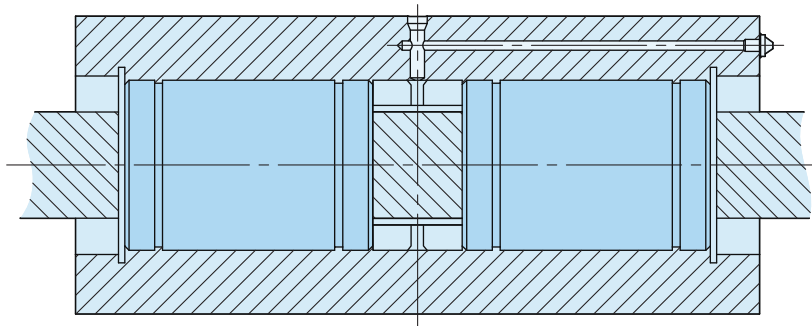


Fig 10. Two Assembled Bushings

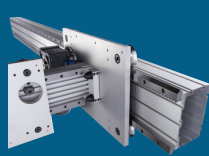
For most effective lubrication oil should be applied between two assembled bushings as shown in Figure 10 where seals are fitted only to the outside of each bearing.

Periodic checking of the installation is recommended whether oil or grease is used, in order to check that the bushing is not running dry.

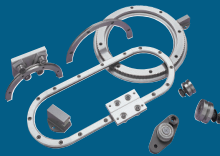
HepcoMotion® Product Range



GV3
Linear Guidance and
Transmission System



HDS2
Heavy Duty
Slide System



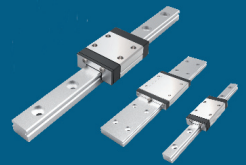
PRT2
Precision Ring and
Track System



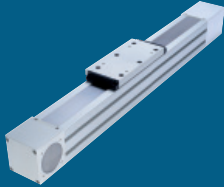
HDRT
Heavy Duty Ring Slides
and Track System



SL2
Stainless Steel Based
Slide System



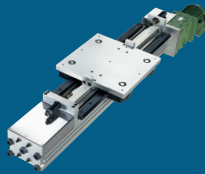
HLG
Hepco Linear Guides



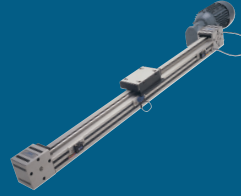
SBD
Sealed Belt
Drive



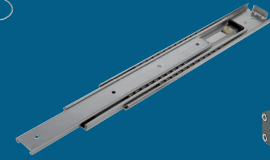
MCS
Aluminium Frame
and Machine
Construction System



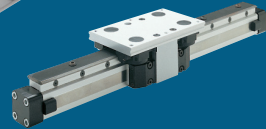
HDLS
Heavy Duty Driven
Linear System



DLS
Linear Transmission and
Positioning System



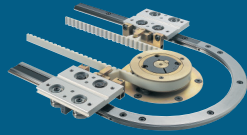
HTS
Telescopic Ball Bearing
Slides



HPS
Powerslide-2 Guided
Rodless Cylinder



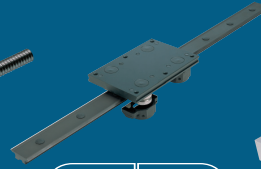
MHD
Heavy Duty Track Roller
Guidance System



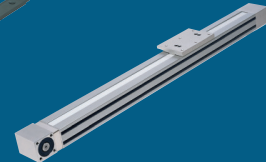
DTS
Driven Track System



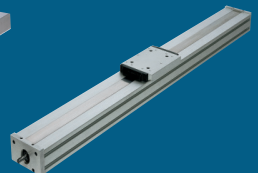
BSP
Ballscrew Premier



Simple Select
Vee Slide Linear
Guidance Systems



PDU2
Profile Driven Unit



PSD120
Profile Screw Driven Unit

For further information on HepcoMotion® products –
please request our leaflet 'FPL'

HepcoMotion®

www.HepcoMotion.com

HepcoMotion® - Deutschland

Bahnhofstraße 16
90537, Feucht, Deutschland
Tel: +49 (0) 9128 9271 0
Fax: +49 (0) 9128 9271 50
E-mail: info.de@hepcotion.com

HepcoMotion® - Head Office

Lower Moor Business Park, Tiverton Way
Tiverton, Devon, England EX16 6TG
Tel: +44 (0)1884 257000
Fax: +44 (0)1884 243500
E-mail: sales@hepcotion.com

HepcoMotion® - España

Alt de Gironella, 36-38 bajos
ES-08017, Barcelona, España
Tel: +34 93 205 84 47
Fax: +34 93 280 62 14
E-mail: info.es@hepcotion.com

HepcoMotion® - Benelux

Berkveld 14A
NL-5709 AE Helmond, Nederland
Tel: +31 (0) 492 551290
Fax: +31 (0) 492 528105
E-mail: info.nl@hepcotion.com

HepcoMotion® - France

64 Chemin de la Chapelle, Saint Antoine
ENNERY, 95300, France
Tel: 01 34 64 30 44
Fax: 01 34 64 33 88
E-mail: info.fr@hepcotion.com

CATALOGUE No.Ball Bushings 01 UK © 2015 Hepco Slide Systems Ltd.

Reproduction in whole or part without prior authorisation from Hepco is prohibited. Although every effort has been made to ensure the accuracy of the information in this catalogue, Hepco cannot accept liability for any omissions or errors. Hepco reserves the right to make alterations to the product resulting from technical developments.

Many Hepco products are protected by: Patents, Copyright, Design Right or Registered Design. Infringement is strictly prohibited and may be challenged in law. The Customer's attention is drawn to the following clause in Hepco's conditions of sale:

'It shall be the Customer's sole responsibility to ensure that goods supplied by Hepco will be suitable or fit for any particular application or purpose of the Customer, whether or not such application or purpose is known to Hepco. The Customer will be solely responsible for any errors in, or omissions from, any specifications or information the Customer provides. Hepco will not be obliged to verify whether any such specifications or information are correct or sufficient for any application or purpose.'

Hepco's full conditions of sale are available on request and will apply to all quotations and contracts for the supply of items detailed in this catalogue.

HepcoMotion is the trading name of Hepco Slide Systems Ltd.