

# GN 426.3

## Cabinet "U" handles

for welding, made of seamless steel tubing



---

### Specification

#### Type

- Type **A**: simply curved, 90°

Steel **ST**

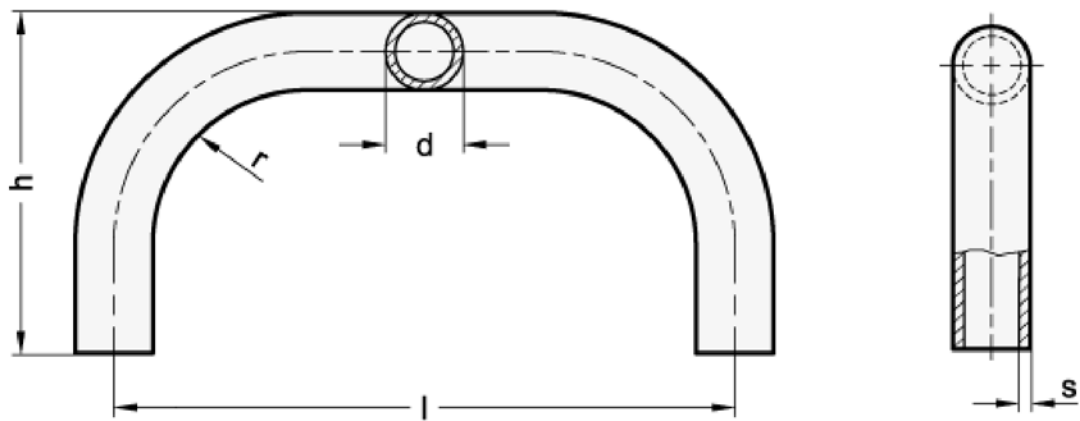
blank, oiled

---

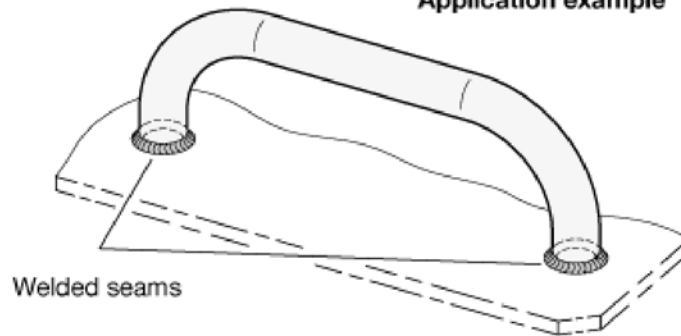
### Information

GN 426.3 cabinet "U" handles are produced through bending. This allows **special lengths** or **special geometries** with the same **r** and **s** dimensions to be delivered even in comparatively small unit quantities.

---



Application example



## GN 426.3

Description	d	l ±1.5	h ±1.5	r	s	Weight
GN 426.3-ST-20-150-A	20	150	90	40	3	288
GN 426.3-ST-20-200-A	20	200	90	40	3	340
GN 426.3-ST-20-250-A	20	250	90	40	3	400
GN 426.3-ST-20-300-A	20	300	90	40	3	455
GN 426.3-ST-20-400-A	20	400	90	40	3	565
GN 426.3-ST-25-200-A	25	200	110	50	3	560
GN 426.3-ST-25-250-A	25	250	110	50	3	640
GN 426.3-ST-25-300-A	25	300	110	50	3	720
GN 426.3-ST-25-400-A	25	400	110	50	3	890
GN 426.3-ST-25-500-A	25	500	110	50	3	1050
GN 426.3-ST-30-300-A	30	300	130	60	3	935
GN 426.3-ST-30-350-A	30	350	130	60	3	1040
GN 426.3-ST-30-400-A	30	400	130	60	3	1140
GN 426.3-ST-30-500-A	30	500	130	60	3	1340
GN 426.3-ST-30-600-A	30	600	130	60	3	1555