

GN 428

Cabinet "U" handles

Aluminium



Specification

Types

- Type **A**: Mounting from the back (threaded blind bore)
- Type **B**: Mounting from the operator's side

Aluminium **AL**

- plastic coated, black RAL 9005, textured finish **SW**
- anodized, natural colour **EL**

Type B

- Lens screws ISO 7380
- Hexagon nuts ISO 4032
- Washers DIN 125

Stainless Steel AISI 304

Information

Cabinet "U" handles GN 428 are produced from profiled aluminum extrusions.

The manufacturing process (bending) allows the production of **special lengths** in relatively small quantities.

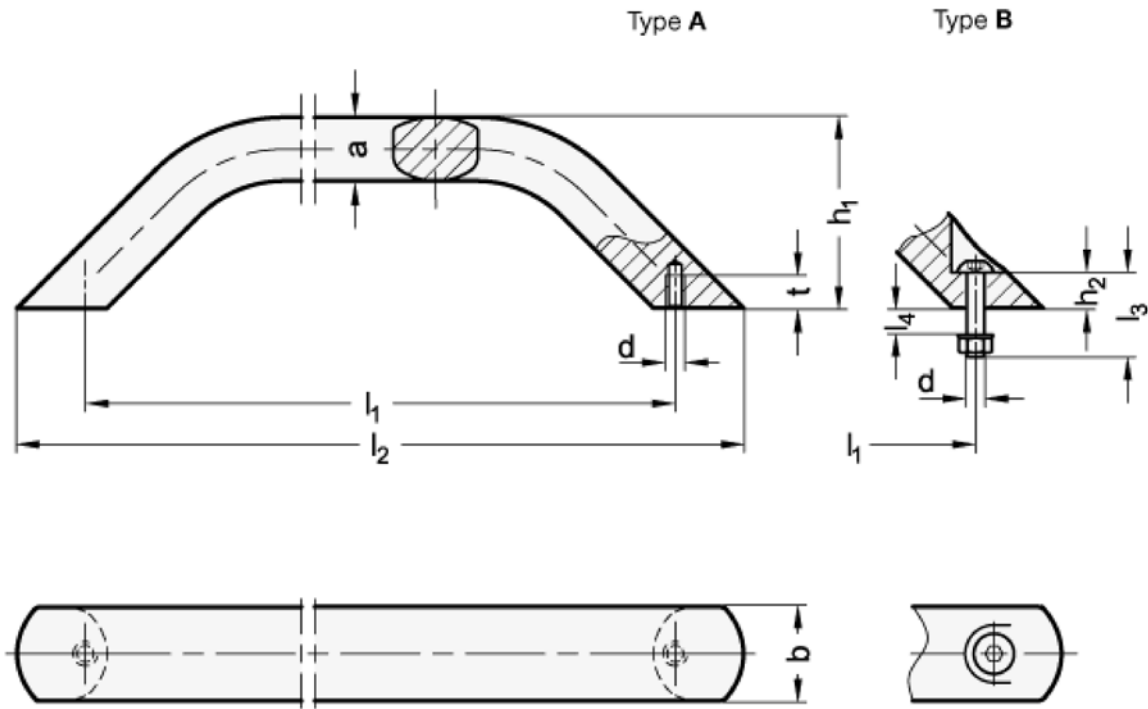
In type B lens screws, hexagon nuts and washers are included parts of the order.

On request

- other finishes

Technical information

- [Stainless Steel characteristics](#)



Anodized, natural colour Anodized
 Black (RAL 9005) Black

GN 428

Description	b	l ₁	a	d	h ₁	h ₂	l ₂	l ₃	l ₄	t	Weight
GN 428-AL-28-250-A-SW	28	250	18	M 8	63	-	290	-	-	10	340
GN 428-AL-28-250-A-EL	28	250	18	M 8	63	-	290	-	-	10	340
GN 428-AL-28-300-A-SW	28	300	18	M 8	63	-	340	-	-	10	391
GN 428-AL-28-300-A-EL	28	300	18	M 8	63	-	340	-	-	10	391
GN 428-AL-28-400-A-SW	28	400	18	M 8	63	-	440	-	-	10	505
GN 428-AL-28-400-A-EL	28	400	18	M 8	63	-	440	-	-	10	505
GN 428-AL-36-300-A-SW	36	300	26	M 10	71	-	355	-	-	14	740
GN 428-AL-36-300-A-EL	36	300	26	M 10	71	-	355	-	-	14	740
GN 428-AL-36-400-A-SW	36	400	26	M 10	71	-	455	-	-	14	948
GN 428-AL-36-400-A-EL	36	400	26	M 10	71	-	455	-	-	14	948
GN 428-AL-36-500-A-SW	36	500	26	M 10	71	-	555	-	-	14	1160
GN 428-AL-36-500-A-EL	36	500	26	M 10	71	-	555	-	-	14	1160
GN 428-AL-36-600-A-SW	36	600	26	M 10	71	-	655	-	-	14	1300
GN 428-AL-36-600-A-EL	36	600	26	M 10	71	-	655	-	-	14	1300
GN 428-AL-36-800-A-SW	36	800	26	M 10	71	-	855	-	-	14	1882
GN 428-AL-36-800-A-EL	36	800	26	M 10	71	-	855	-	-	14	1882
GN 428-AL-28-250-B-SW	28	250	18	M 8	63	11.8	290	30	10	-	369
GN 428-AL-28-250-B-EL	28	250	18	M 8	63	11.8	290	30	10	-	369
GN 428-AL-28-300-B-SW	28	300	18	M 8	63	11.8	340	30	10	-	425
GN 428-AL-28-300-B-EL	28	300	18	M 8	63	11.8	340	30	10	-	425
GN 428-AL-28-400-B-SW	28	400	18	M 8	63	11.8	440	30	10	-	535
GN 428-AL-28-400-B-EL	28	400	18	M 8	63	11.8	440	30	10	-	535
GN 428-AL-36-300-B-SW	36	300	26	M 10	71	16.6	355	40	13	-	774
GN 428-AL-36-300-B-EL	36	300	26	M 10	71	16.6	355	40	13	-	774
GN 428-AL-36-400-B-SW	36	400	26	M 10	71	16.6	455	40	13	-	1000
GN 428-AL-36-400-B-EL	36	400	26	M 10	71	16.6	455	40	13	-	1000
GN 428-AL-36-500-B-SW	36	500	26	M 10	71	16.6	555	40	13	-	1250
GN 428-AL-36-500-B-EL	36	500	26	M 10	71	16.6	555	40	13	-	1250
GN 428-AL-36-600-B-SW	36	600	26	M 10	71	16.6	655	40	13	-	1500
GN 428-AL-36-600-B-EL	36	600	26	M 10	71	16.6	655	40	13	-	1500
GN 428-AL-36-800-B-SW	36	800	26	M 10	71	16.6	855	40	13	-	1820
GN 428-AL-36-800-B-EL	36	800	26	M 10	71	16.6	855	40	13	-	1820