



GN 335

Oval tubular handles

with inclined handle profile



Specification

Types

- Type **A**: Mounting from the back (threaded blind bore)
- Type **B**: Mounting from the operators side

Handle tube
Aluminum

Handle legs
Zinc die casting
plastic coated

Tube **SW**
black, RAL 9005, textured finish
plastic coated
Handle legs
black, RAL 9005, textured finish

Tube **EL**
anodized, natural color
Handle legs
black, RAL 9005, textured finish

Tube **ES**
anodized, natural color
Handle legs
silver, RAL 9006, textured finish

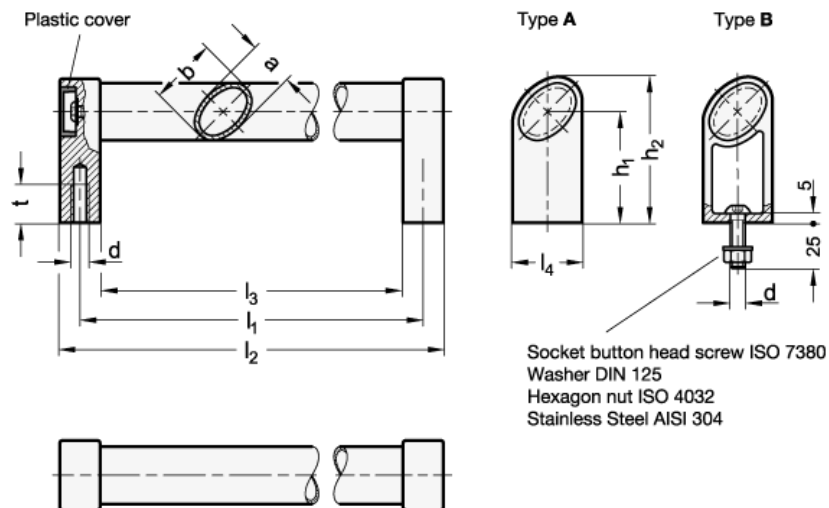
Cover caps
plastic, light gray

Information

GN 335 oval tubular handles have an inclined handle profile with a 45° angle. These handles are comfortable and ergonomic to grasp in a variety of applications such as sliding doors.

For type B, socket button head screws, hexagon nuts and washers are included parts of the order.

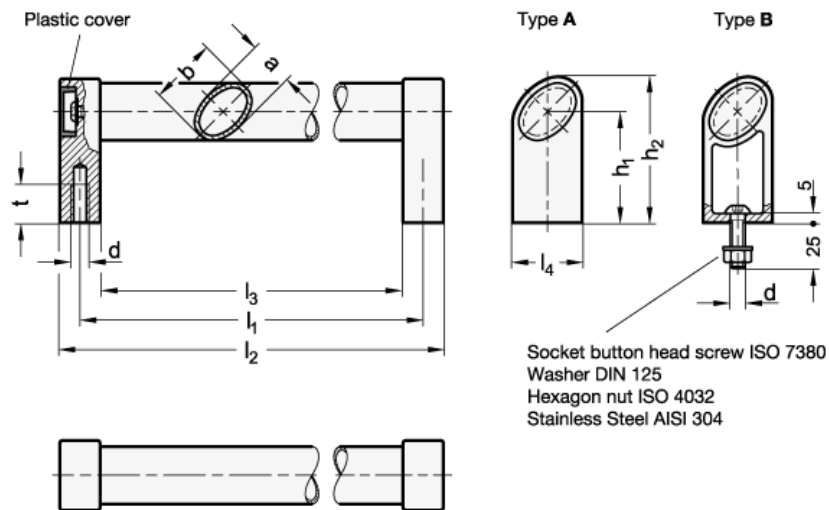
The tubular handle can be screwed onto the handle shanks without further modification. This allows even a small quantity of **special lengths** to be ordered.



Tube anodized, Handle shanks black Tube anodized, Handle shanks black

GN 335-EL

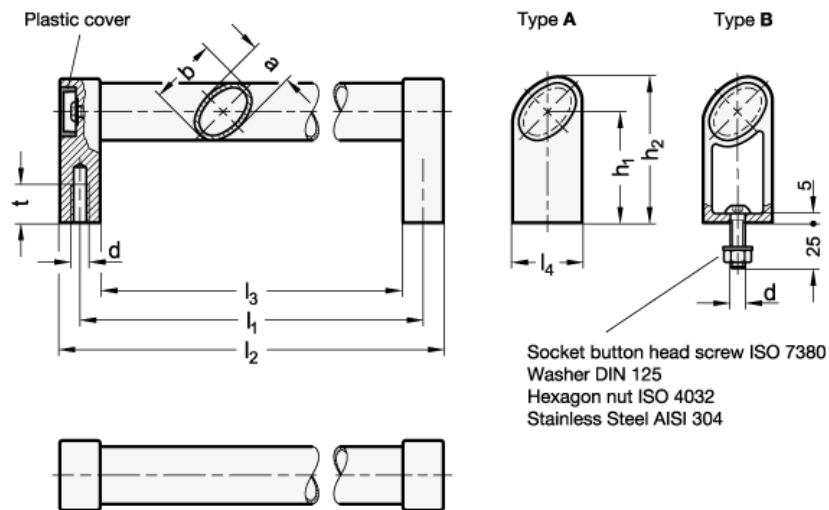
Description	b	$l_1 \pm 0.5$	a	d	h_1	h_2	h_3	l_2	l_3	l_4	t min.	Weight
GN 335-36-200-A-EL	36	200	24	M 8	60.5	79.5	5	222	178	38	15	1061
GN 335-36-200-B-EL	36	200	24	M 8	60.5	79.5	5	222	178	38	-	1029
GN 335-36-250-A-EL	36	250	24	M 8	60.5	79.5	5	272	228	38	15	1093
GN 335-36-250-B-EL	36	250	24	M 8	60.5	79.5	5	272	228	38	-	1061
GN 335-36-300-A-EL	36	300	24	M 8	60.5	79.5	5	322	278	38	15	1133
GN 335-36-300-B-EL	36	300	24	M 8	60.5	79.5	5	322	278	38	-	1101
GN 335-36-350-A-EL	36	350	24	M 8	60.5	79.5	5	372	328	38	15	938
GN 335-36-350-B-EL	36	350	24	M 8	60.5	79.5	5	372	328	38	-	906
GN 335-36-400-A-EL	36	400	24	M 8	60.5	79.5	5	422	378	38	15	1258
GN 335-36-400-B-EL	36	400	24	M 8	60.5	79.5	5	422	378	38	-	1226
GN 335-36-500-A-EL	36	500	24	M 8	60.5	79.5	5	522	478	38	15	1278
GN 335-36-500-B-EL	36	500	24	M 8	60.5	79.5	5	522	478	38	-	1246
GN 335-36-600-A-EL	36	600	24	M 8	60.5	79.5	5	622	578	38	15	1431
GN 335-36-600-B-EL	36	600	24	M 8	60.5	79.5	5	622	578	38	-	1399
GN 335-36-800-A-EL	36	800	24	M 8	60.5	79.5	5	822	778	38	15	1601
GN 335-36-800-B-EL	36	800	24	M 8	60.5	79.5	5	822	778	38	-	1569



Tube anodized, Handle shanks silver Tube anodized, Handle shanks silver

GN 335-ES

Description	b	$l_1 \pm 0.5$	a	d	h_1	h_2	h_3	l_2	l_3	l_4	t min.	Weight
GN 335-36-200-A-ES	36	200	24	M 8	60.5	79.5	5	222	178	38	15	1061
GN 335-36-200-B-ES	36	200	24	M 8	60.5	79.5	5	222	178	38	-	1029
GN 335-36-250-A-ES	36	250	24	M 8	60.5	79.5	5	272	228	38	15	1093
GN 335-36-250-B-ES	36	250	24	M 8	60.5	79.5	5	272	228	38	-	1061
GN 335-36-300-A-ES	36	300	24	M 8	60.5	79.5	5	322	278	38	15	1133
GN 335-36-300-B-ES	36	300	24	M 8	60.5	79.5	5	322	278	38	-	1101
GN 335-36-350-A-ES	36	350	24	M 8	60.5	79.5	5	372	328	38	15	938
GN 335-36-350-B-ES	36	350	24	M 8	60.5	79.5	5	372	328	38	-	906
GN 335-36-400-A-ES	36	400	24	M 8	60.5	79.5	5	422	378	38	15	1258
GN 335-36-400-B-ES	36	400	24	M 8	60.5	79.5	5	422	378	38	-	1226
GN 335-36-500-A-ES	36	500	24	M 8	60.5	79.5	5	522	478	38	15	1278
GN 335-36-500-B-ES	36	500	24	M 8	60.5	79.5	5	522	478	38	-	1246
GN 335-36-600-A-ES	36	600	24	M 8	60.5	79.5	5	622	578	38	15	1431
GN 335-36-600-B-ES	36	600	24	M 8	60.5	79.5	5	622	578	38	-	1399
GN 335-36-800-A-ES	36	800	24	M 8	60.5	79.5	5	822	778	38	15	1601
GN 335-36-800-B-ES	36	800	24	M 8	60.5	79.5	5	822	778	38	-	1569



Tube black, Handle shanks black Tube black, Handle shanks black

GN 335-SW

Description	b	l ₁ ±0.5	a	d	h ₁	h ₂	h ₃	l ₂	l ₃	l ₄	t min.	Weight
GN 335-36-200-A-SW	36	200	24	M 8	60.5	79.5	5	222	178	38	15	1093
GN 335-36-200-B-SW	36	200	24	M 8	60.5	79.5	5	222	178	38	-	1061
GN 335-36-250-A-SW	36	250	24	M 8	60.5	79.5	5	272	228	38	15	1136
GN 335-36-250-B-SW	36	250	24	M 8	60.5	79.5	5	272	228	38	-	1104
GN 335-36-300-A-SW	36	300	24	M 8	60.5	79.5	5	322	278	38	15	1128
GN 335-36-300-B-SW	36	300	24	M 8	60.5	79.5	5	322	278	38	-	1096
GN 335-36-350-A-SW	36	350	24	M 8	60.5	79.5	5	372	328	38	15	1178
GN 335-36-350-B-SW	36	350	24	M 8	60.5	79.5	5	372	328	38	-	1146
GN 335-36-400-A-SW	36	400	24	M 8	60.5	79.5	5	422	378	38	15	1264
GN 335-36-400-B-SW	36	400	24	M 8	60.5	79.5	5	422	378	38	-	1232
GN 335-36-500-A-SW	36	500	24	M 8	60.5	79.5	5	522	478	38	15	1293
GN 335-36-500-B-SW	36	500	24	M 8	60.5	79.5	5	522	478	38	-	1261
GN 335-36-600-A-SW	36	600	24	M 8	60.5	79.5	5	622	578	38	15	1368
GN 335-36-600-B-SW	36	600	24	M 8	60.5	79.5	5	622	578	38	-	1336
GN 335-36-800-A-SW	36	800	24	M 8	60.5	79.5	5	822	778	38	15	1522
GN 335-36-800-B-SW	36	800	24	M 8	60.5	79.5	5	822	778	38	-	1490