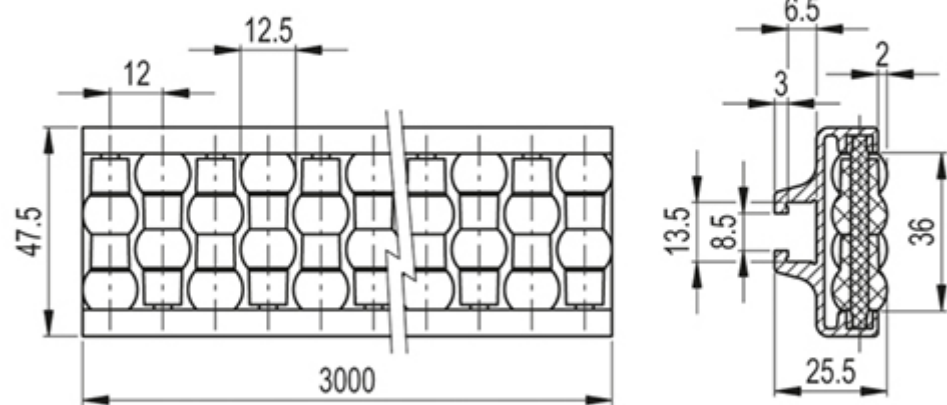




## GLA-1

### Roller side guides

Technopolymer, aluminium, stainless steel



Code	Description			
419101	GLA-1-RS-48-3000	3400		

## Main specifications

### Body

Anodised aluminium, natural colour, matte finish.

### Pins support

Acetal resin based (POM) technopolymer, white colour.

### Pins

AISI 304 stainless steel.

### Rollers

Polyethylene based (PE) technopolymer, grey colour.

### Standard executions

- GLA-1-RS: with spherical contact rollers.
- GLA-1-RC: with cylindrical contact rollers.
- GLA-1-RT: with round contact rollers.

## General information

### Features and applications

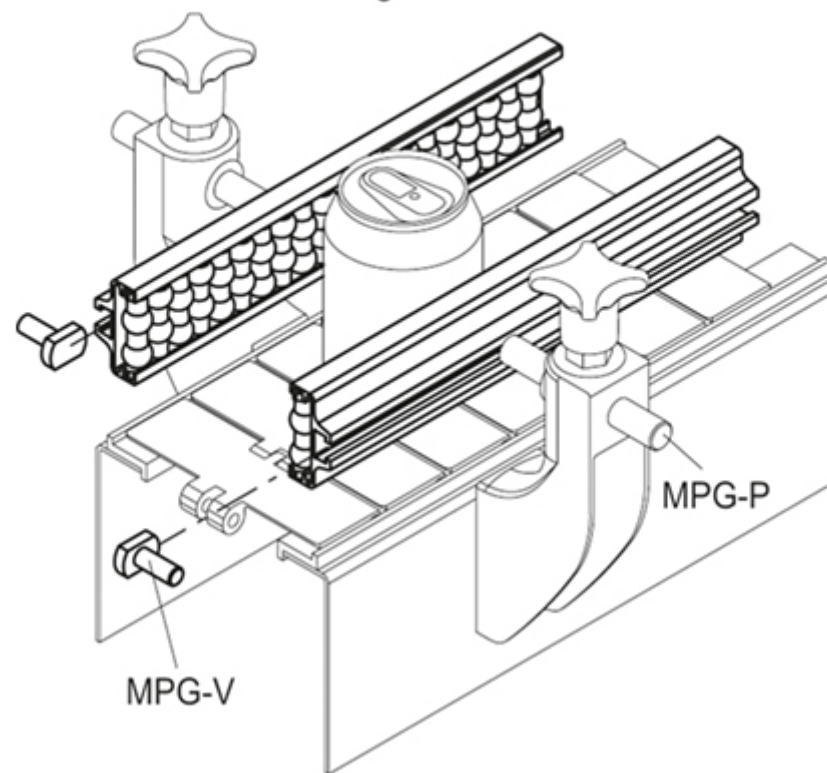
GLA-1 side guides are self-supporting structures for the side guide of products with limited vertical dimensions on conveyor belts (Fig.1).

Depending on the product to transport, it is recommended to use:

- GLA-1-RS: for the guide of products in cans or in plastic containers;
- GLA-1-RC: for the guide of cardboard products, for a greater fluency;
- GLA-1-RT: for the guide of glass products, in case of accidental breakage they facilitate the expulsion of debris.

Supplied assembled in bars of 3 meters length.

Fig.1



## Other executions

### Special executions on request

- Side guides with rollers in different colours.
- Side guides with pins in acetal resin based (POM) technopolymer.

## Accessories

### Accessories on request

- BDG: zinc-plated steel connecting bar for guides.
- TGL: closing cap for guides.
- PGL-1: separation block for side guide.
- MPG-P: assembly pin.
- MPG-V: hammer head screw.

MPG-V

