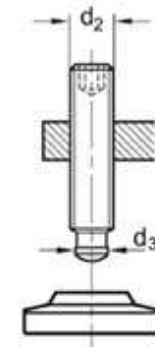
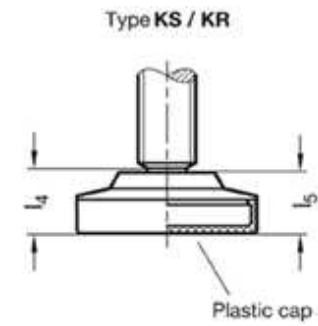
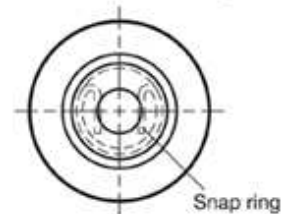
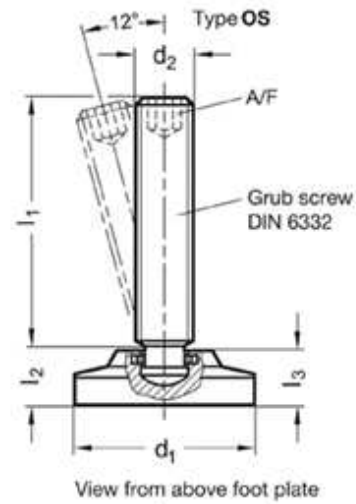




GN 6311.6

Stainless Steel-Levelling feet



			d1	d2	l1 ≈	d3	l2	l3	l4	l5
<b>GN 6311.6-50-M10-37-KR</b>	50	M 10	37	8	12.5	11.5	14	13	5	14
<b>GN 6311.6-50-M10-37-KS</b>	50	M 10	37	8	12.5	11.5	14	13	5	14
<b>GN 6311.6-50-M10-37-OS</b>	50	M 10	37	8	12.5	11.5	14	13	5	14
<b>GN 6311.6-50-M10-47-KR</b>	50	M 10	47	8	12.5	11.5	14	13	5	14
<b>GN 6311.6-50-M10-47-KS</b>	50	M 10	47	8	12.5	11.5	14	13	5	14
<b>GN 6311.6-50-M10-47-OS</b>	50	M 10	47	8	12.5	11.5	14	13	5	14
<b>GN 6311.6-50-M10-57-KR</b>	50	M 10	57	8	12.5	11.5	14	13	5	14
<b>GN 6311.6-50-M10-57-KS</b>	50	M 10	57	8	12.5	11.5	14	13	5	14
<b>GN 6311.6-50-M10-57-OS</b>	50	M 10	57	8	12.5	11.5	14	13	5	14
<b>GN 6311.6-50-M10-72-KR</b>	50	M 10	72	8	12.5	11.5	14	13	5	14
<b>GN 6311.6-50-M10-72-KS</b>	50	M 10	72	8	12.5	11.5	14	13	5	14
<b>GN 6311.6-50-M10-72-OS</b>	50	M 10	72	8	12.5	11.5	14	13	5	14
<b>GN 6311.6-50-M12-41-KR</b>	50	M 12	41	8	12.5	11.5	14	13	6	14

<b>GN 6311.6-50-M12-41-KS</b>	50	M 12	41	8	12.5	11.5	14	13	6	14
<b>GN 6311.6-50-M12-41-OS</b>	50	M 12	41	8	12.5	11.5	14	13	6	14
<b>GN 6311.6-50-M12-51-KR</b>	50	M 12	51	8	12.5	11.5	14	13	6	14
<b>GN 6311.6-50-M12-51-KS</b>	50	M 12	51	8	12.5	11.5	14	13	6	14
<b>GN 6311.6-50-M12-51-OS</b>	50	M 12	51	8	12.5	11.5	14	13	6	14
<b>GN 6311.6-50-M12-61-KR</b>	50	M 12	61	8	12.5	11.5	14	13	6	14
<b>GN 6311.6-50-M12-61-KS</b>	50	M 12	61	8	12.5	11.5	14	13	6	14
<b>GN 6311.6-50-M12-61-OS</b>	50	M 12	61	8	12.5	11.5	14	13	6	14
<b>GN 6311.6-50-M12-71-KR</b>	50	M 12	71	8	12.5	11.5	14	13	6	14
<b>GN 6311.6-50-M12-71-KS</b>	50	M 12	71	8	12.5	11.5	14	13	6	14
<b>GN 6311.6-50-M12-71-OS</b>	50	M 12	71	8	12.5	11.5	14	13	6	14
<b>GN 6311.6-50-M12-91-KR</b>	50	M 12	91	8	12.5	11.5	14	13	6	14
<b>GN 6311.6-50-M12-91-KS</b>	50	M 12	91	8	12.5	11.5	14	13	6	14
<b>GN 6311.6-50-M12-91-OS</b>	50	M 12	91	8	12.5	11.5	14	13	6	14
<b>GN 6311.6-50-M16-114-KR</b>	50	M 16	114	12	14.5	13.5	16	15	8	33

<b>GN 6311.6-50-M16-114-KS</b>	50	M 16	114	12	14.5	13.5	16	15	8	33
<b>GN 6311.6-50-M16-114-OS</b>	50	M 16	114	12	14.5	13.5	16	15	8	33
<b>GN 6311.6-50-M16-59-KR</b>	50	M 16	59	12	14.5	13.5	16	15	8	33
<b>GN 6311.6-50-M16-59-KS</b>	50	M 16	59	12	14.5	13.5	16	15	8	33
<b>GN 6311.6-50-M16-59-OS</b>	50	M 16	59	12	14.5	13.5	16	15	8	33
<b>GN 6311.6-50-M16-69-KR</b>	50	M 16	69	12	14.5	13.5	16	15	8	33
<b>GN 6311.6-50-M16-69-KS</b>	50	M 16	69	12	14.5	13.5	16	15	8	33
<b>GN 6311.6-50-M16-69-OS</b>	50	M 16	69	12	14.5	13.5	16	15	8	33
<b>GN 6311.6-50-M16-89-KR</b>	50	M 16	89	12	14.5	13.5	16	15	8	33
<b>GN 6311.6-50-M16-89-KS</b>	50	M 16	89	12	14.5	13.5	16	15	8	33
<b>GN 6311.6-50-M16-89-OS</b>	50	M 16	89	12	14.5	13.5	16	15	8	33
<b>GN 6311.6-60-M16-114-KR</b>	60	M 16	114	12	14.5	13.5	16	15	8	33
<b>GN 6311.6-60-M16-114-KS</b>	60	M 16	114	12	14.5	13.5	16	15	8	33
<b>GN 6311.6-60-M16-114-OS</b>	60	M 16	114	12	14.5	13.5	16	15	8	33
<b>GN 6311.6-60-M16-59-KR</b>	60	M 16	59	12	14.5	13.5	16	15	8	33

<b>GN 6311.6-60-M16-59-KS</b>	60	M 16	59	12	14.5	13.5	16	15	8	33
<b>GN 6311.6-60-M16-59-OS</b>	60	M 16	59	12	14.5	13.5	16	15	8	33
<b>GN 6311.6-60-M16-69-KR</b>	60	M 16	69	12	14.5	13.5	16	15	8	33
<b>GN 6311.6-60-M16-69-KS</b>	60	M 16	69	12	14.5	13.5	16	15	8	33
<b>GN 6311.6-60-M16-69-OS</b>	60	M 16	69	12	14.5	13.5	16	15	8	33
<b>GN 6311.6-60-M16-89-KR</b>	60	M 16	89	12	14.5	13.5	16	15	8	33
<b>GN 6311.6-60-M16-89-KS</b>	60	M 16	89	12	14.5	13.5	16	15	8	33
<b>GN 6311.6-60-M16-89-OS</b>	60	M 16	89	12	14.5	13.5	16	15	8	33
<b>GN 6311.6-60-M20-113-KR</b>	60	M 20	113	15.5	16.5	15.5	18	17	10	55
<b>GN 6311.6-60-M20-113-KS</b>	60	M 20	113	15.5	16.5	15.5	18	17	10	55
<b>GN 6311.6-60-M20-113-OS</b>	60	M 20	113	15.5	16.5	15.5	18	17	10	55
<b>GN 6311.6-60-M20-138-KR</b>	60	M 20	138	15.5	16.5	15.5	18	17	10	55
<b>GN 6311.6-60-M20-138-KS</b>	60	M 20	138	15.5	16.5	15.5	18	17	10	55
<b>GN 6311.6-60-M20-138-OS</b>	60	M 20	138	15.5	16.5	15.5	18	17	10	55
<b>GN 6311.6-60-M20-78-KR</b>	60	M 20	78	15.5	16.5	15.5	18	17	10	55

<b>GN 6311.6-60-M20-78-KS</b>	60	M 20	78	15.5	16.5	15.5	18	17	10	55
<b>GN 6311.6-60-M20-78-OS</b>	60	M 20	78	15.5	16.5	15.5	18	17	10	55
<b>GN 6311.6-60-M20-88-KR</b>	60	M 20	88	15.5	16.5	15.5	18	17	10	55
<b>GN 6311.6-60-M20-88-KS</b>	60	M 20	88	15.5	16.5	15.5	18	17	10	55
<b>GN 6311.6-60-M20-88-OS</b>	60	M 20	88	15.5	16.5	15.5	18	17	10	55