

Oil fill plugs

Technopolymer up to 100°C

MATERIAL

Glass-fibre reinforced polyamide based (PA) technopolymer, black colour, matte finish.

PACKING RING

NBR synthetic rubber O-Ring.
The positioning of the O-Ring in its housing guarantees a high tightening torque.

MAXIMUM CONTINUOUS WORKING TEMPERATURE

100°C.

GRAPHIC SYMBOL "FILL"

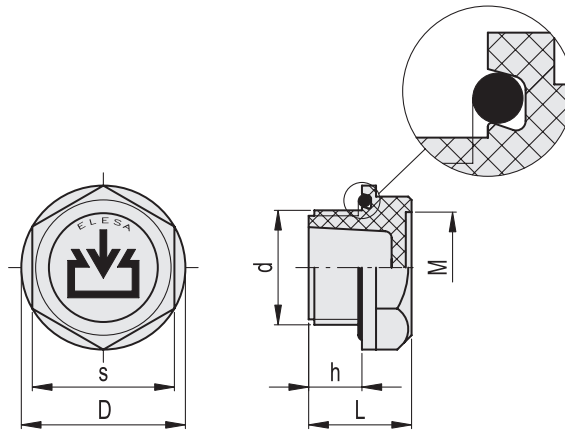
According to DIN regulations.

ACCESSORIES ON REQUEST

TCR. oil fill plugs are suitable for mounting aluminium plates with graphic symbols type MH. (see page).



ELESA Original design



Code	Description	d	h	s	D	L	M	△
158685	TCR.14x1.5	M14x1.5	9	19	22	17	15	4
158686	TCR.16x1.5	M16x1.5	10	22	25.5	18	17	6
158687	TCR.20x1.5	M20x1.5	11	27	32	20	20.5	8
158688	TCR.26x1.5	M26x1.5	12	32	37	22	25	14
158689	TCR.27x1.5	M27x1.5	12	32	37	22	25	14
158690	TCR.33x1.5	M33x1.5	13	38	44	23	31	18
158691	TCR.40x1.5	M40x1.5	14	46	53.5	26	38	19
158692	TCR.42x2	M42x2	15	46	53.5	26	38	21
158695	TCR.1/4	G 1/4	9	19	22	17	15	4
158696	TCR.3/8	G 3/8	9	22	25.5	18	17	6
158697	TCR.1/2	G 1/2	11	27	32	20	20.5	8
158698	TCR.3/4	G 3/4	12	32	37	22	25	14
158699	TCR.1	G 1	13	38	44	23	31	18
158711	TCR.1¼	G1 1/4	14	46	53.5	26	38	32
158713	TCR.1½	G1 1/2	15	55	63.5	28	46	51