

## Latch type toggle clamps

Steel / Stainless Steel, with safety hook,  
heavy duty type

### SPECIFICATION

#### Types

- Type **T6**: with mounting holes, with U-bolt latch, with catch
- Type **T**: with mounting holes, without U-bolt latch, with catch
- Type **T6S**: for welding, with U-bolt latch, with catch
- Type **TS**: for welding, without U-bolt latch, with catch

#### Version in Steel

Body / catch / clamping lever  
Steel C22

- forged
- black lacquered (Type T6 / T)
- blackened (Type T6S / TS)

U-bolt latch / bearing pin  
Steel St 37

zinc plated, blue passivated

All moving parts  
lubricated with special grease

#### Version in Stainless Steel NI

Body / catch / clamping lever / U-bolt latch  
Stainless Steel AISI 304  
forged

Other parts  
Stainless Steel AISI 303

All moving parts  
lubricated with special grease

### TECHNICAL INFORMATION

- Stainless Steel characteristics (see page A26)



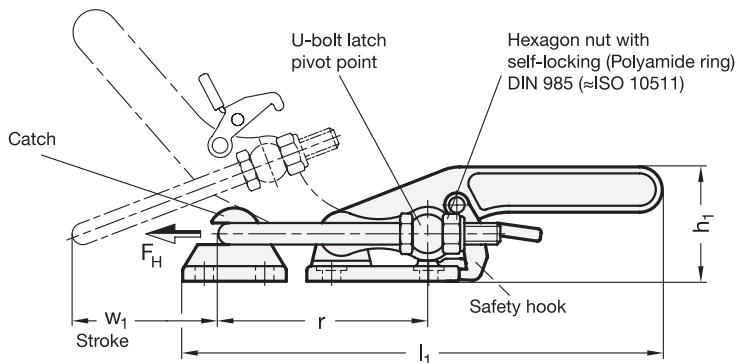
### INFORMATION

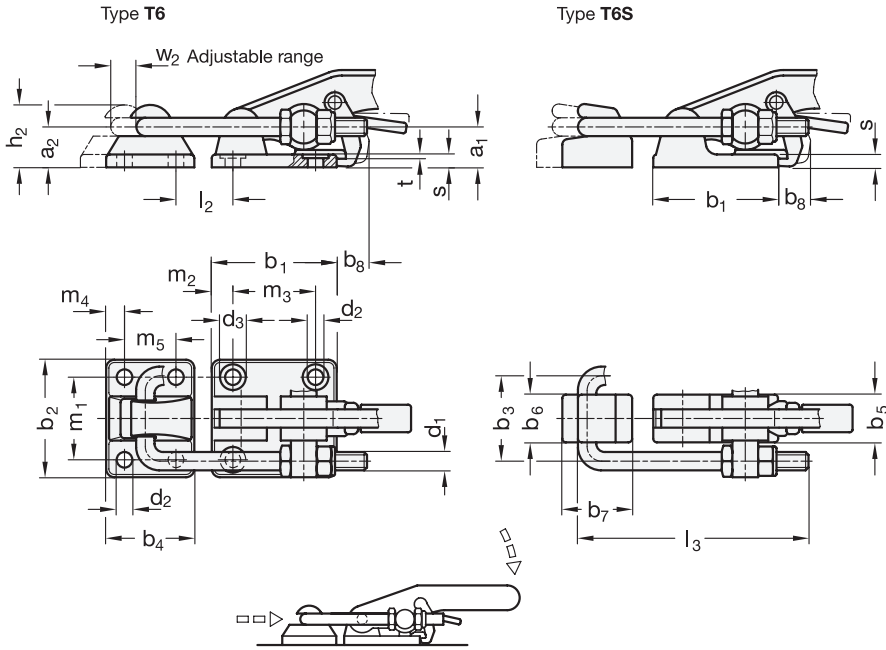
GN 852.3 latch type toggle clamps are compact in design and can be used to ensure high holding capacities.

When closing the spanner, a safety hook positively locks onto the body. This prevents the inadvertent or vibration-induced release from the clamping position. To open the safety hook it is unlocked per one-hand operation.

The stroke of the U-bolt latch can be adjusted within its range. In addition to the standard lengths of the U-bolt latches shown in the table, a variety of other lengths are also available under the GN 951.1 series (see page 1604).

- General information for toggle clamps (see page 1560)





GN 852.3

Description	Size	FH	in N	a1	a2	b1	b2	b3	b4	b5	b6	b7	b8	d1	d2	d3	h1 ≈	h2	l1 ≈	l2 min.	l3 ≈	m1	m2	m3	m4	m5	r ≈	s	t	w1	w2 ≈	⚖
GN 852.3-1700-T6	1700	17000	22	21	68	64	46	48	-	-	-	17	M10	8.5	14	55	34.5	223	33	129	45	11.5	45	10	28	96	7	2	54	15	1127	
GN 852.3-4000-T6	4000	40000	28	27	85	80	55	60	-	-	-	20	M12	10.5	16	68	42.5	271	30	151	57	14	57	12.5	35	107	9	2	62	25	2018	
GN 852.3-1700-T	1700	17000	-	-	68	64	-	48	-	-	-	17	-	8.5	14	55	34.5	-	-	45	11.5	45	10	28	-	7	2	-	-	960		
GN 852.3-4000-T	4000	40000	-	-	85	80	-	60	-	-	-	20	-	10.5	16	68	42.5	-	-	57	14	57	12.5	35	-	9	2	-	-	1735		
GN 852.3-1700-T6S	1700	17000	22	21	-	-	46	-	28	26.5	38	17	M10	-	-	55	34.5	218	33	129	-	-	-	-	-	96	-	-	54	15	918	
GN 852.3-4000-T6S	4000	40000	28	27	-	-	55	-	34	32	50	20	M12	-	-	68	42.5	266	30	151	-	-	-	-	107	-	-	62	25	1668		
GN 852.3-1700-TS	1700	17000	-	-	-	-	-	-	28	26.5	38	17	-	-	-	55	34.5	-	-	-	-	-	-	-	-	-	-	-	-	-	746	
GN 852.3-4000-TS	4000	40000	-	-	-	-	-	-	34	32	50	20	-	-	-	68	42.5	-	-	-	-	-	-	-	-	-	-	-	-	-	1300	

GN 852.3-NI

STAINLESS STEEL

Description	Size	FH	in N	a1	a2	b1	b2	b3	b4	b5	b6	b7	b8	d1	d2	d3	h1 ≈	h2	l1 ≈	l2 min.	l3 ≈	m1	m2	m3	m4	m5	r ≈	s	t	w1	w2 ≈	⚖
GN 852.3-1700-T6-NI	1700	14000	22	21	68	64	46	48	-	-	-	17	M10	8.5	14	55	34.5	223	33	129	45	11.5	45	10	28	96	7	2	54	15	1131	
GN 852.3-4000-T6-NI	4000	30000	28	27	85	80	55	60	-	-	-	20	M12	10.5	16	68	42.5	271	30	151	57	14	57	12.5	35	107	9	2	62	25	2017	
GN 852.3-1700-T-NI	1700	14000	-	-	68	64	-	48	-	-	-	17	-	8.5	14	55	34.5	-	-	45	11.5	45	10	28	-	7	2	-	-	951		
GN 852.3-4000-T-NI	4000	30000	-	-	85	80	-	60	-	-	-	20	-	10.5	16	68	42.5	-	-	57	14	57	12.5	35	-	9	2	-	-	1725		
GN 852.3-1700-T6S-NI	1700	14000	22	21	-	-	46	-	28	26.5	38	17	M10	-	-	55	34.5	218	33	129	-	-	-	-	-	96	-	-	54	15	932	
GN 852.3-4000-T6S-NI	4000	30000	28	27	-	-	55	-	34	32	50	20	M12	-	-	68	42.5	266	3	151	-	-	-	-	107	-	-	62	25	1691		
GN 852.3-1700-TS-NI	1700	14000	-	-	-	-	-	-	28	26.5	38	17	-	-	-	55	34.5	-	-	-	-	-	-	-	-	-	-	-	-	-	765	
GN 852.3-4000-TS-NI	4000	30000	-	-	-	-	-	-	34	32	50	20	-	-	-	68	42.5	-	-	-	-	-	-	-	-	-	-	-	-	-	1391	

