

Cabinet "U" handles

Aluminium

SPECIFICATION

Types

- Type **A**: Mounting from the back (threaded blind bore)
- Type **B**: Mounting from the operator's side

Aluminium **AL**

- plastic coated
- black RAL 9005, textured finish **SW**
- silver RAL 9006, textured finish **SR**
- blank, ground **BL**



INFORMATION

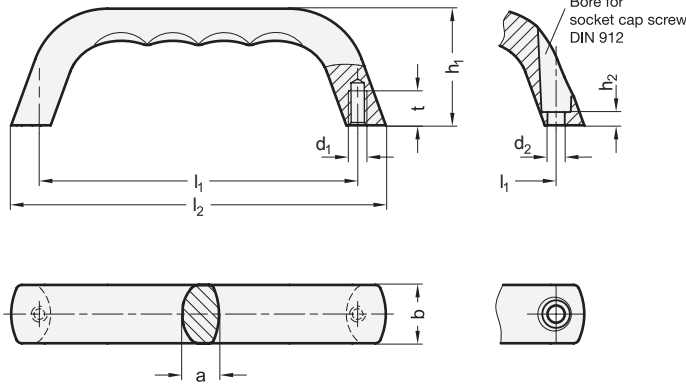
GN 328 cabinet "U" handles are made from die-cast aluminium and have excellent stability and ergonomic design. The finger recesses on the underside of the handle provide a specially comfortable grip. In particular in combination with the larger GN 428 (see page 445) "U" handle, they meet the requirements of modern industrial design.

ON REQUEST

- other finishes



reddot design award



GN 328

Description	l1 ±0.25	a	b	d1	d2	h1	h2	l2	t	Δ
GN 328-120-A-SW	120	14	22	M 6	-	44	5	141.2	13	116
GN 328-120-A-SR	120	14	22	M 6	-	44	5	141.2	13	116
GN 328-120-A-BL	120	14	22	M 6	-	44	5	141.2	13	112
GN 328-140-A-SW	140	18	28	M 8	-	55	6	166.5	17	213
GN 328-140-A-SR	140	18	28	M 8	-	55	6	166.5	17	213
GN 328-140-A-BL	140	18	28	M 8	-	55	6	166.5	17	210
GN 328-120-B-SW	120	14	22	-	6.5	44	5	141.2	13	105
GN 328-120-B-SR	120	14	22	-	6.5	44	5	141.2	13	105
GN 328-120-B-BL	120	14	22	-	6.5	44	5	141.2	13	101
GN 328-140-B-SW	140	18	28	-	8.5	55	6	166.5	17	193
GN 328-140-B-SR	140	18	28	-	8.5	55	6	166.5	17	192
GN 328-140-B-BL	140	18	28	-	8.5	55	6	166.5	17	185