

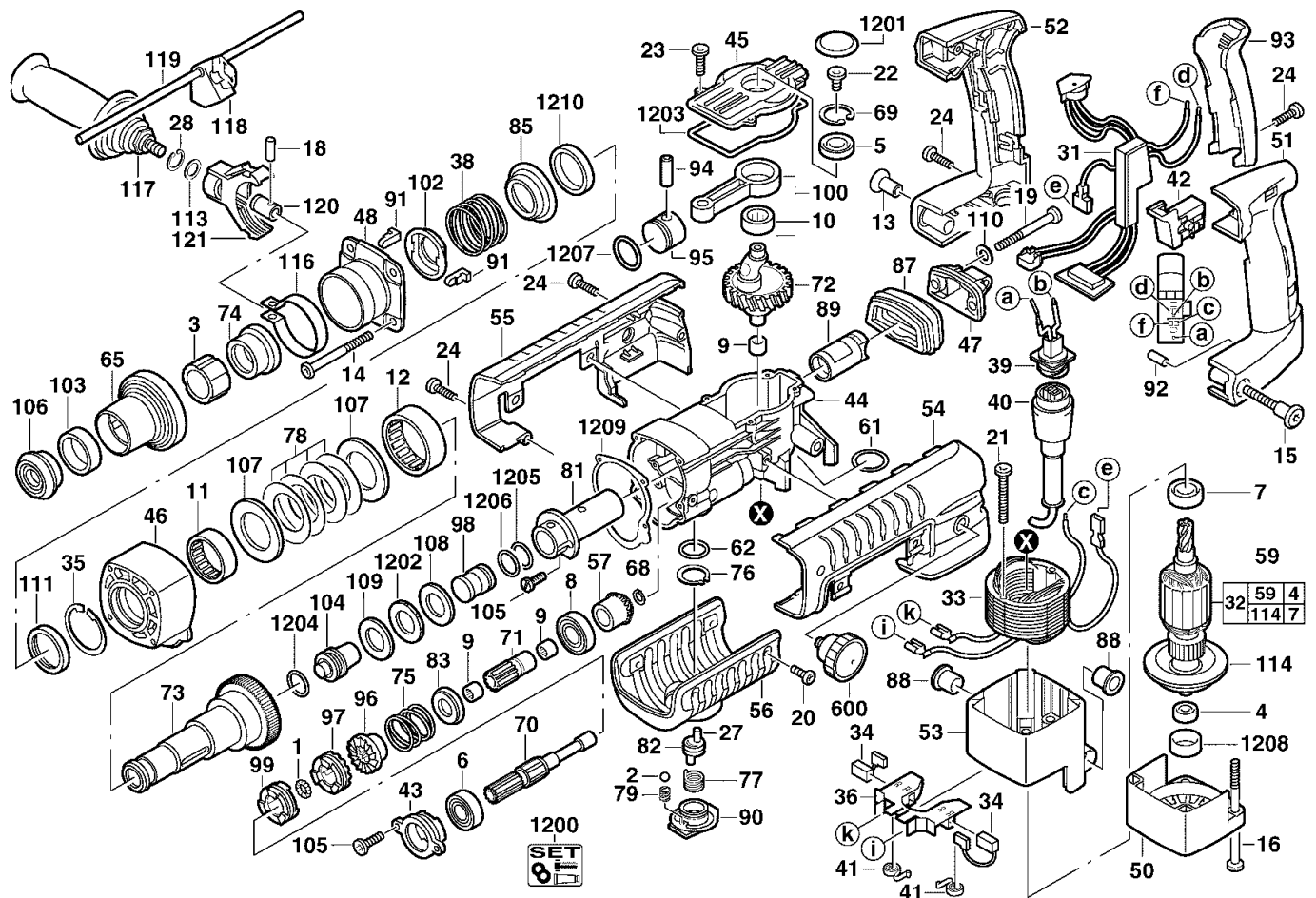
A & M Electric Tools

Rotary Hammers

Ind	Product No.	Type	Voltage	Country
a	4000392138	845M	220-240V	IN2
b	4000392138	845M	220-240V	GB2

Ind	Product No.	Type	Voltage	Country

Kango		Exp.view No.	Version	Date	Page
845M		4926 3921 39	0001	20.02.03	1/3



Pos	Index	Quanti	Article No.	Designation	Pos	Index	Quanti	Article No.	Designation
0001	ab.....	12	02020120	BALL	0024	ab.....	7	06956290	SCREW
0002	ab.....	2	4931805413	BALL	0027	ab.....	1	06653720	PIN
0003	ab.....	1	31860100	SPACER	0028	ab.....	1	34602580	RING
0004	ab.....	1	02040847	BALL BEARING	0031	ab.....	1	14200045	ELECTRONIC ELEMENT
0005	ab.....	1	02040911	BALL BEARING	0032	ab.....	1	14469210	ARMATURE
0006	ab.....	1	02041510	BALL BEARING	0033	ab.....	1	18540045	FIELD LEAD GROMMET
0007	ab.....	1	02041518	BALL BEARING	0034	ab.....	1	22180875	CARBON BRUSH
0008	ab.....	1	02042000	BALL BEARING	0035	ab.....	1	34805100	RING
0009	ab.....	3	02502470	NEEDLE BEARING	0036	ab.....	1	22221480	BRUSH HOLDER
0010	ab.....	1	02504020	NEEDLE BEARING	0038	ab.....	1	40508870	PRESSURE SPRING
0011	ab.....	1	02509000	NEEDLE BEARING	0039	ab.....	1	22561020	INSERT
0012	ab.....	1	02509985	NEEDLE BEARING	0040 a.....	1	4931624171	CONNECTION CABLE	
0013	ab.....	1	05590100	NUT	0040 .b.....	1	4931624184	CONNECTION CABLE	
0014	ab.....	4	05810830	SCREW	0041 ab.....	2	23521550	PRESSURE SPRING	
0015	ab.....	1	05770100	BEARING BOLT	0042 ab.....	1	23662740	SWITCH	
0016	ab.....	1	05810920	SCREW	0043 ab.....	1	30890010	BEARING COVER	
0018	ab.....	4	06651660	PIN	0044 ab.....	1	28142297	CRANKCASE	
0019	ab.....	2	06811805	SCREW	0045 ab.....	1	28201325	COVER	
0020	ab.....	4	06827252	SCREW	0046 ab.....	1	28508680	HOUSING	
0021	ab.....	2	06827425	SCREW	0047 ab.....	1	28900280	HANDLE PIECE	
0022	ab.....	1	06828842	SCREW	0048 ab.....	1	28120110	FLANGE	
0023	ab.....	4	06956280	SCREW	0050 ab.....	1	31150432	MOTOR COVER	

Repairs/modification and testing of electric power tools are to be carried out by specialists. The safety regulations according to DIN/VDE/CEE/AFNOR and other regulations valid in the different countries are to be observed.

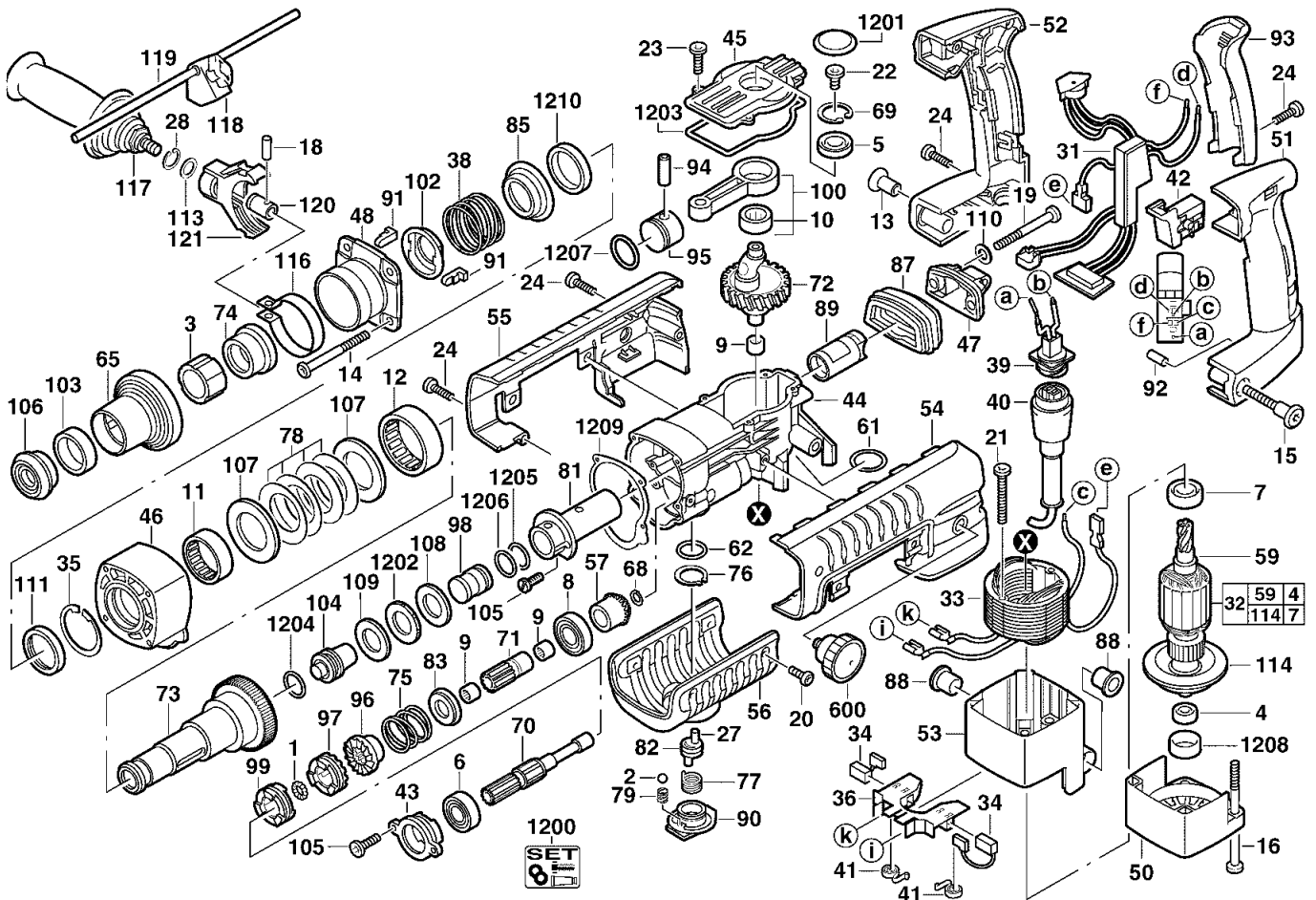
A & M Electric Tools

Rotary Hammers

Ind	Product No.	Type	Voltage	Country
a	4000392138	845M	220-240V	IN2
b	4000392138	845M	220-240V	GB2

Ind	Product No.	Type	Voltage	Country

Kango		845M	
Exp.view No.	Version	Date	Page
4926 3921 39	0001	20.02.03	2/3



Pos	Index	Quanti	Article No.	Designation
0051	ab.....	1	9170466940	HANDLE
0052	ab.....	1	9170466950	HANDLE
0053	ab.....	1	9170325170	BODY
0054	ab.....	1	9170325230	BODY
0055	ab.....	1	9170325240	BODY
0056	ab.....	1	31550230	HOUSING
0057	ab.....	1	32052250	GEAR BOX
0059	ab.....	1	34603620	RING
0061	ab.....	1	34401375	O-RING
0062	ab.....	1	34404160	O-RING
0065	ab.....	1	42760710	COVER
0068	ab.....	1	34600700	RING
0069	ab.....	1	34805090	RING
0070	ab.....	1	36140790	REDUCT. GEAR SHAFT
0071	ab.....	1	36140770	SHAFT
0072	ab.....	1	14090140	ECCENTRIC STRAP
0073	ab.....	1	38506145	SPINDLE
0074	ab.....	1	42760715	BUSH
0075	ab.....	1	40508575	PRESSURE SPRING
0076	ab.....	1	34603630	PROTECTION WASHER
0077	ab.....	1	40508585	PRESSURE SPRING
0078	ab.....	4	40508590	PRESSURE SPRING

Pos	Index	Quanti	Article No.	Designation
0079	ab.....	2	40508690	PRESSURE SPRING
0081	ab.....	1	42980300	BARREL
0082	ab.....	1	43060690	DISC
0083	ab.....	1	43340740	FLANGE
0085	ab.....	1	43340765	SPRING SLEEVE
0087	ab.....	1	43870030	INSULATING PART
0088	ab.....	2	43870040	INSULATING PART
0089	ab.....	1	43870060	INSULATING PART
0090	ab.....	1	43980470	TRIGGER
0091	ab.....	2	43960220	KEY
0092	ab.....	1	9170466970	FOAM SLUG
0093	ab.....	1	44520580	COVER
0094	ab.....	1	44601710	PIN
0095	ab.....	1	44620220	PISTON
0096	ab.....	1	44666030	PLATE
0097	ab.....	1	44666045	PLATE
0098	ab.....	1	44820225	RAM
0099	ab.....	1	44904400	RING
0100	ab.....	1	44940395	ROD
0102	ab.....	1	44860610	RING
0103	ab.....	1	44900005	RING
0104	ab.....	1	45562620	STRIKER

Repairs/modification and testing of electric power tools are to be carried out by specialists. The safety regulations according to DIN/VDE/CEE/AFNOR and other regulations valid in the different countries are to be observed.

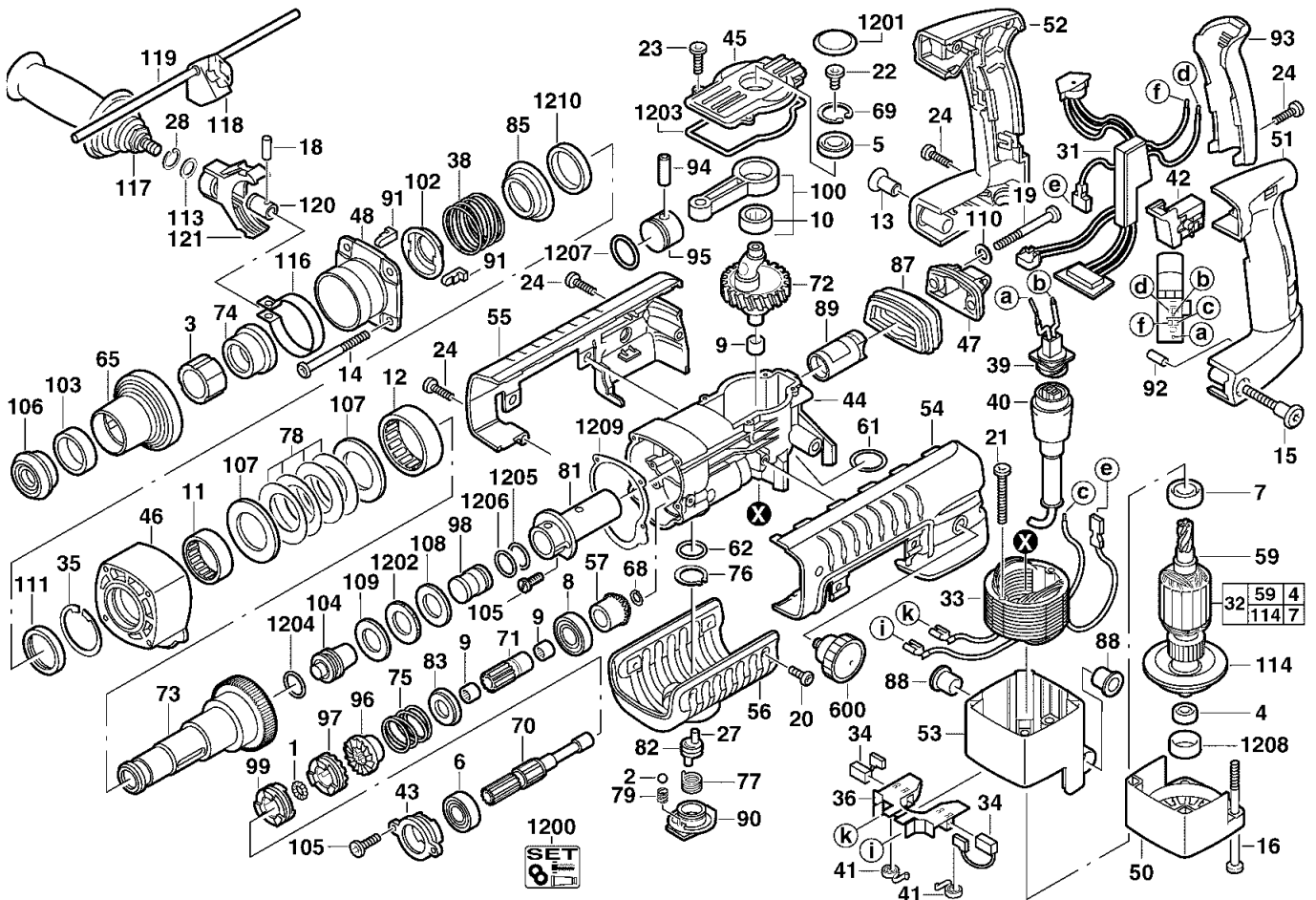
A & M Electric Tools

Rotary Hammers

Ind	Product No.	Type	Voltage	Country
a	4000392138	845M	220-240V	IN2
b	4000392138	845M	220-240V	GB2

Ind	Product No.	Type	Voltage	Country

Kango				
845M				
Exp.view No.	Version	Date	Page	
4926 3921 39	0001	20.02.03	3/3	



Pos	Index	Quanti	Article No.	Designation
0105	ab.....	4	06828872	SCREW
0106	ab.....	1	45060555	SEAL RING
0107	ab.....	2	45888520	WASHER
0108	ab.....	1	45888530	WASHER
0109	ab.....	1	45888535	WASHER
0110	ab.....	2	45888555	WASHER
0111	ab.....	1	45060670	SEAL RING
0113	ab.....	1	45888730	WASHER
0114	ab.....	1	22840875	FAN
0116	ab.....	1	42160125	BAND
0117	ab.....	1	14340516	HANDLE
0118	ab.....	1	14340551	DEPTH GAUGE
0119	ab.....	1	44940165	ROD
0120	ab.....	1	44860620	RETAINER
0121	ab.....	1	31442000	HANDLE
0600	ab.....	1	43980630	TRIGGER
1200	ab.....	1	14469200	SERVICE KIT
1201	ab.....	1	31120270	COVER
1202	ab.....	1	34404310	SEALING WASHER
1203	ab.....	1	34404320	COVER
1204	ab.....	1	34404350	O-RING
1205	ab.....	1	34400045	SEAL

Pos	Index	Quanti	Article No.	Designation
1206	ab.....	1	34400046	O-RING
1207	ab.....	1	34404470	O-RING
1208	ab.....	1	42960125	BEARING SLEEVE
1209	ab.....	1	43440970	GASKET
1210	ab.....	1	45060680	SEAL RING

Repairs/modification and testing of electric power tools are to be carried out by specialists. The safety regulations according to DIN/VDE/CEE/AFNOR and other regulations valid in the different countries are to be observed.