

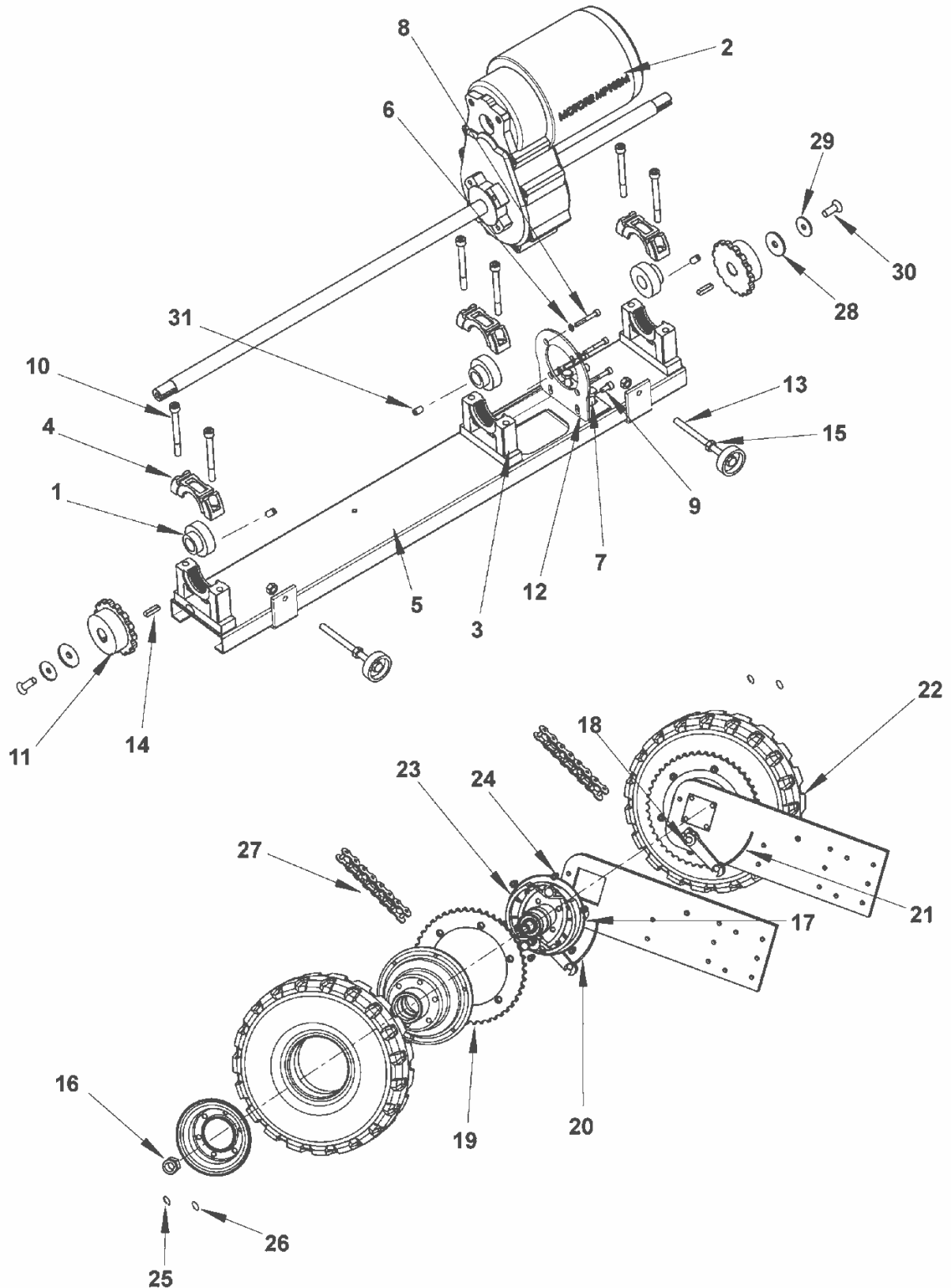
PARTS LIST



2021.09.28

TABLE OF CONTENTS

Drive assembly	1
Steering assembly	3
Kontrolpedalsamling	5
Waste Container assembly	8
Filter assembly	10
Main Broom assembly	12
Højre sidebørstesamling	15
Venstre sidebørstesamling	17
Electric Motor assembly	19
General view	21
Højre kontrolpanelsamling	23
Venstre kontrolpanelsamling	25
El-komponentkasse	27
Electrical components	29
Hydraulic system	31
Accessories 1	33
Accessories 2	35
Wiring diagram	37
Hydraulic diagram	39
Recommended spare parts 1	41
Recommended spare parts 2	43
Rotomolded assembly	45
Chassis assembly	47
Sidelemssamling	49

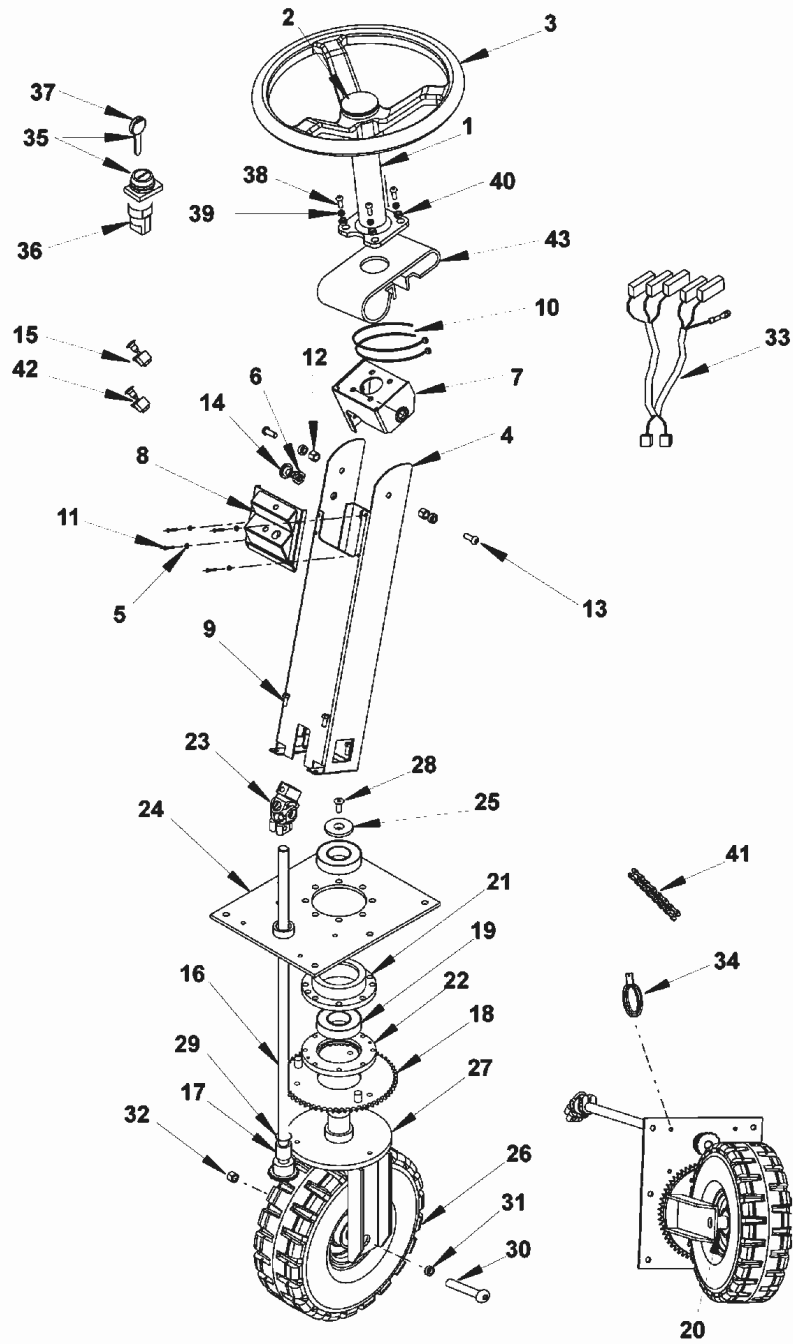


Resource notes:
Pos No.0=Not shown

Pos.	Vare-nr	Antal	Beskrivelse	Notes
00	L08603949	1	Kul Kit 4 Stk	
01	145 1123 000	3	Kullager, Aw 400-Serien	
02	146 1016 000	1	Køremotor 1300 Hb	
03	145 1976 000	3	Lejepande Aw	
04	145 1977 000	3	Support	
05	146 2388 000	1	SUPPORT.DIFFERENTIAL	[1]
06		4	WASHER FLAT	[2]
07		2	SCREW HEX HD 8X20	[3]
08		4	SCREW 5X35	[4]
09		2	SCREW 6X12	[5]
10		6	SCREW 8X80 SS	[6]
11	146 0924 000	2	SPROCKET T15 1/2-5/16	[7]
12	146 0865 000	1	SUPPORT	[7]
13	146 1128 000	2	SCREW FOR TRANSOM MOTODIFF. HOLDER	[7]
14		2	TAB	[8]
15	33005504	2	Møtrik M8 Uni5588	
16		2	NUT	[9]
17	146 0879 000	1	SUPPORT RIGHT REAR WHEEL	[10]
18	146 0880 000	1	SUPPORT LEFT REAR WHEEL	[10]
19	146 0908 000	2	Crown Z48 1/2	[10]
20	146 2335 000	1	CABLE RT BRAKE L.1850MM	[11]
21	146 2336 000	1	CABLE LT BRAKE L.1410MM	[11]
22	146 1875 000	2	WHEEL REAR	
23	1465125000	2	BRAKING SYSTEM KIT	[11]
24		12	SCREW M6X16	[12]
25		2	WASHER	[13]
26		2	WASHER FLAT	[2]
27	146 1114 000	2	Trækkæde Sr1300H	[10]
28		2	WASHER	[13]
29		2	WASHER	[13]
30		2	SCREW	[14]
31	146 0621 000	3	Z-Skrue	[11]
33	146 1186 000	1	HARDWARE DRIVE ASSY KIT	[7]

Part Notes:

- [1] - SEE PI 2017-002
- [2] - WASHER FLAT
- [3] - SCREW HEX HD 8X20
- [4] - SCREW 5X35
- [5] - SCREW 6X12
- [6] - SCREW 8X80 SS
- [7] - GUARANTEE DATE EXPIRED
- [8] - TAB
- [9] - NUT
- [10] - STOCK COVERS GUARANTEE
- [11] - NO LONGER AVAILABLE
- [12] - SCREW M6X16
- [13] - WASHER
- [14] - SCREW



Resource notes:

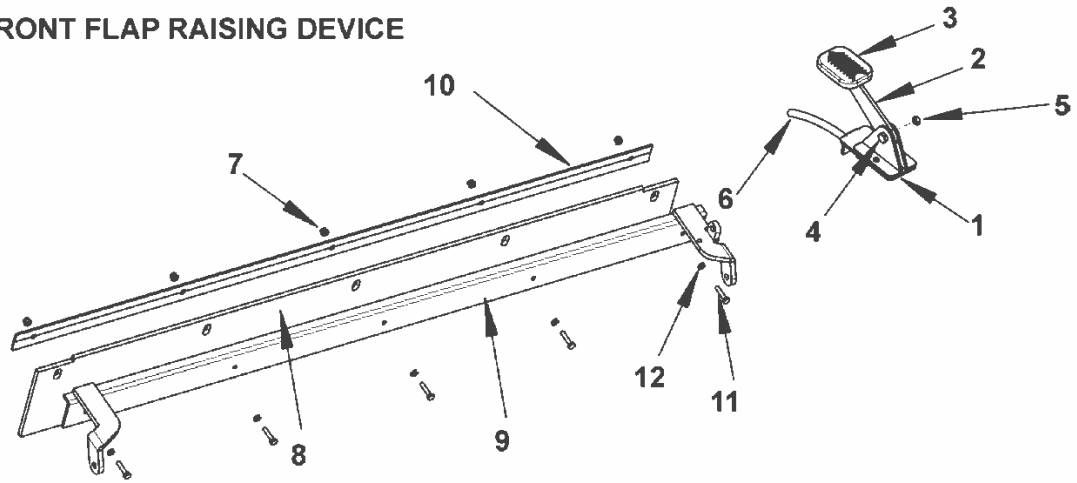
POSITION 29 INCLUDES SWITCH KEY PLUS TWO KEYS - SINGLE KEY (POS 37) NOT AVAILABLE

Pos.	Vare-nr	Antal	Beskrivelse	Notes
00	146 1187 000	1	Hardware Steering Assy	[1]
01	1466525000	1	COLUMN STEERING SIP	
02	145 8753 000	1	CAP STEERING WHEEL COVER PLAST.	
03	146 2106 000	1	WHEEL, STEERING D.320	
04	146 0914 000	1	STEERING COLUMN	[1]
05		4	WASHER	[2]
06	146 0961 000	1	PLUNGER M16X1.5 D.8	[3]
07	146 2030 000	1	SUPPORT F TILT STEERING GALV.	[3]
08	146 2907 000	1	SUPPORT.LEVERS	[1]
09		4	SCREW HEX HD 8X20	[4]
10		2	CLAMP	[5]
11		4	SCREW M4X25	[6]
12		2	NUT M12	[7]
13		2	SCREW M12X30	[8]
14		2	SPACER	[9]
15	146 0992 000	1	Kabel Sr 1300	[1]
16	146 0960 000	1	Styreaksel	
17	145 2626 000	1	Skive	[1]
18	145 2714 000	1	SPROCKET T60 3/8	
19	145 2357 000	2	Leje	
20	145 9586 000	2	SPACER 21X25X27.5	[1]
21	145 2586 000	1	FLANGE	
22	145 2587 000	1	FLANGE	
23	1466319000	1	JOINT UNIVERSAL D.17 SIP	
24	145 1847 000	1	PLATE STEERING SUPPORT	[1]
25		1	WASHER	[2]
26	145 9494 000	1	Hjul	[1]
26	146 0329 000	1	Hjul, forest, sværtefri	
27	145 5662 000	1	SUPPORT FRONT WHEEL	[3]
28		1	SCREW M8X20	[10]
29	9100001345	1	RING D 17 UNI7435 10 PCS SET	
30		1	SCREW 20X140	[11]
31		1	WASHER	[2]
32		1	NUT M20	[12]
33	146 1844 000	1	HARNES CONTROL PANEL	[1]
34	1467032000	1	HORN 24V 112DB SIP	
35	146 2901 000	1	Startnøgle	[3]
36	146 1730 000	1	Contact, Na.	
38		4	SCREW	[13]
39		4	WASHER	[2]
40		4	WASHER	[2]
41	145 1784 000	1	Kæde	
42	146 0991 000	1	CABLE	[3]
43	146 1668 000	1	PROTECTION	[3]

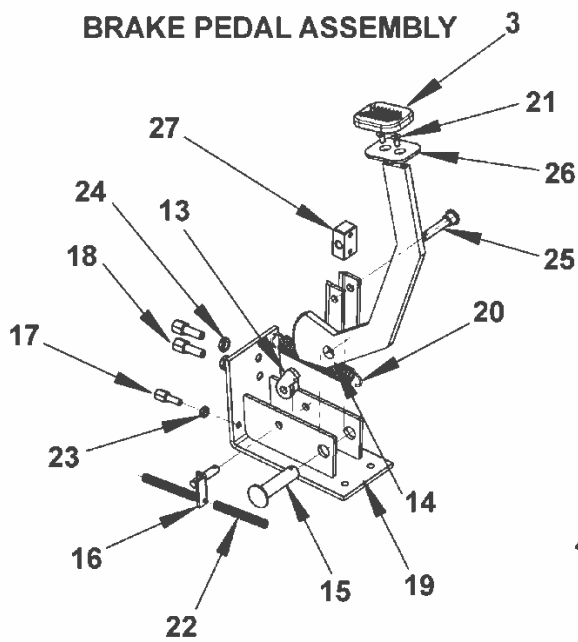
Part Notes:

- [1] - GUARANTEE DATE EXPIRED
- [2] - WASHER
- [3] - STOCK COVERS GUARANTEE
- [4] - SCREW HEX HD 8X20
- [5] - CLAMP
- [6] - SCREW M4X25
- [7] - NUT M12
- [8] - SCREW M12X30
- [9] - SPACER
- [10] - SCREW M8X20
- [11] - SCREW 20X140
- [12] - NUT M20
- [13] - SCREW

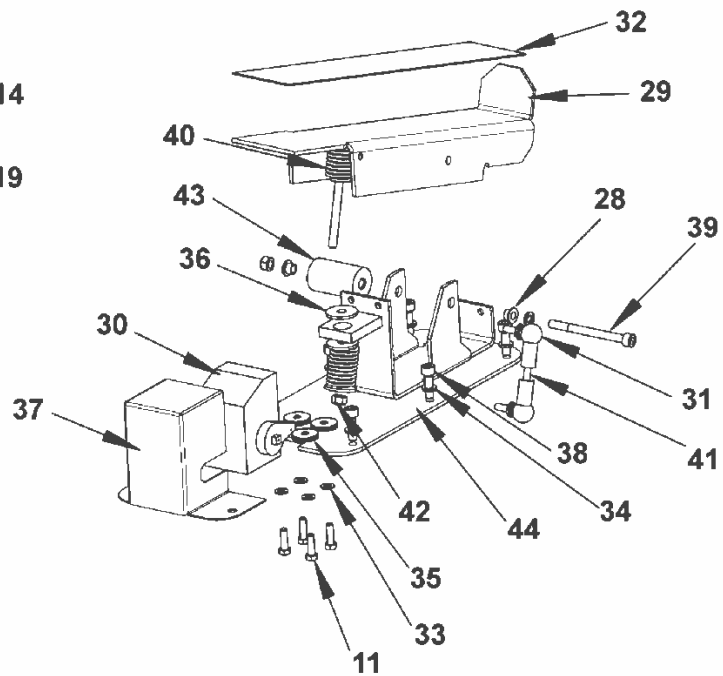
FRONT FLAP RAISING DEVICE



BRAKE PEDAL ASSEMBLY



ACCELERATOR PEDAL ASSEMBLY

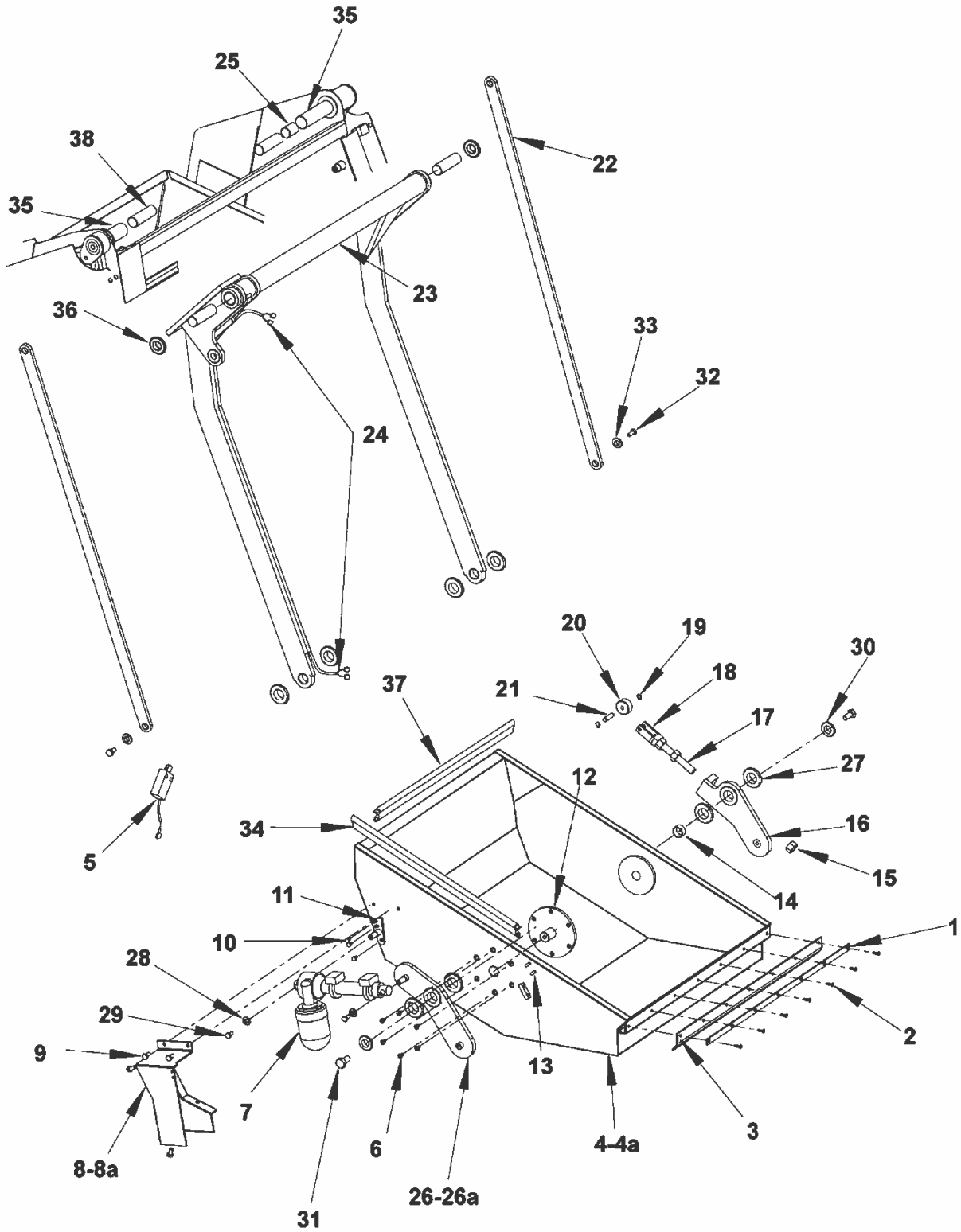


Pos.	Vare-nr	Antal	Beskrivelse	Notes
00	146 1189 000	1	Speederpedal Sr1300H	[1]
00	146 1188 000	1	HARDWARE BRAKE PEDAL KIT	[2]
01	145 1839 000	1	SUPPORT GALV. F PEDAL SKIRT RAIS.DEVICE	
02	145 1841 000	1	PEDAL GALV. F SKIRT RAIS.DEVICE	
03	145 8478 000	2	Pedalgummi	
04	33023470	1	SCREW M6X20 HEX HD ISO4017 10 PCS SET	
05	33023469	1	NUT LOCK HEX M6 ISO7040 10 PCS SET	
06	146 2860 000	1	Cable Skirt Rais.Device Kit	[3]
07	33005903	5		
08	146 1152 000	1	Sværefrit skørt, for	
09	145 1872 000	1	Skirt Raising Device	[3]
10	145 4655 000	1	Plate Front Skirt	[2]
11		9	SCREW HEX HD M5X16	[4]
12	33023198	5	WASHER PLAIN M4 ISO7089 10 PCS SET	
13		1	HOOK	[5]
14	146 0982 000	1	PEDAL.BRAKE	[2]
15		1	PIN	[6]
16		1	PIN	[6]
17		1	REGISTER	[7]
18		2	REGISTER	[7]
19	146 0985 000	1	SUPPORT PEDAL BRAKE MET. GREY	[2]
20	146 0986 000	1	Fjeder Venstre Sidebørste Sr 1300 H	
21	33004560	2	SCREW M5X10 C/SUNK FLAT HD HEX ISO10642	
22	145 1935 000	2	Filter Shaker Spring	
23		1	NUT HEX M6	[8]
24		2	NUT HEX M8	[9]
25		1	PIN	[6]
26	146 1410 000	1	BLOCK.CABLE FIXING	[2]
27		1	PLATE	[10]
28		2	BUSHING	[11]
29	146 0976 000	1	PEDAL	[2]
30	1466168000	1	BOARD PEDAL CONTROL PKD	
31		2	ARTICULATED HEAD	[12]
32	146 1154 000	1	TAPE ADHESIVE ANTISLIP L.315MM SIP	[13]
33		4	WASHER FLAT	[14]
34		7	WASHER FLAT	[14]
35		8	WASHER FLAT	[14]
36		3	WASHER FLAT	[14]
37	146 1054 000	1	PROTECTION	[2]
38		6	SCREW M6X20	[15]
39		1	SCREW M6X70	[16]
40		2	SPRING	[17]
41		1	TENSION ROD	[18]
42		2	NUT HEX SELF LOCK M6	[19]
43		1	SPACER	[20]
44	146 0980 000	1	SUPPORT LOWER PEDAL	[2]

Part Notes:

- [1] - (ITEM 28-31-33-34-35-36-37-38-39-40-41-42-43)
NO LONGER AVAILABLE
- [2] - GUARANTEE DATE EXPIRED
- [3] - NO LONGER AVAILABLE
- [4] - SCREW HEX HD M5X16
- [5] - HOOK
- [6] - PIN
- [7] - REGISTER
- [8] - NUT HEX M6
- [9] - NUT HEX M8
- [10] - PLATE

- [11] - BUSHING
- [12] - ARTICULATED HEAD
- [13] - STOCK COVERS GUARANTEE
- [14] - WASHER FLAT
- [15] - SCREW M6X20
- [16] - SCREW M6X70
- [17] - SPRING
- [18] - TENSION ROD
- [19] - NUT HEX SELF LOCK M6
- [20] - SPACER



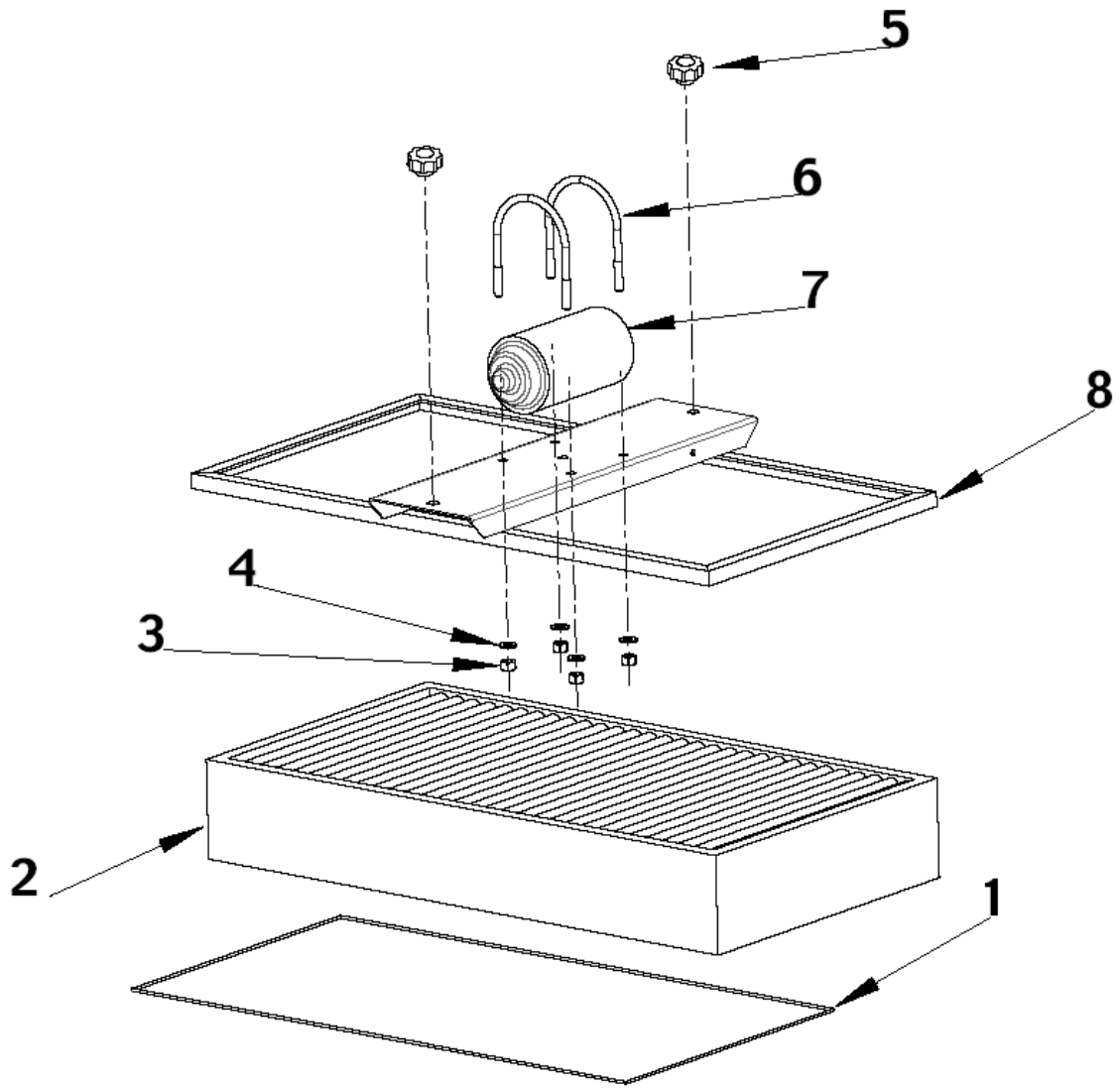
Resource notes:

A: AFTER S/N 033007700 146 0906 000 NO MORE AVAILBLE

Pos.	Vare-nr	Antal	Beskrivelse	Notes
00	146 1190 000	1	HARDWARE WASTE CONTAINER	[1]
01	146 0995 000	1	PLATE	[1]
02		7	SCREW	[2]
03	146 0882 000	1	Pakning Sr 1300	[1]
04	146 1228 000	1	HOPPER WASTE	[3]
04A	146 1228 000	1	HOPPER WASTE	[4]
05	1463568000	1	MICROSWITCH KIT	[5]
06		6	SCREW	[2]
07	146 0929 000	1	Actuator 24V Sr 1300H	
08	146 0933 000	1	PROTECTION JACK MOTOR	[1]
08A	146 1229 000	1	PROTECTION.JACK MOTOR	[6]
09		2	SCREW	[2]
10		3	SCREW	[2]
11	146 0994 000	1	Pin	
12	146 0993 000	1	PIN	[4]
13		2	DOWEL	[7]
14		4	BUSH	[8]
15		3	NUT	[9]
16	146 0930 000	1	ARM LT HOPPER WASTE	[5]
17	146 0937 000	1	ROD THREADED M16X135MM DIN975	[5]
18	146 0934 000	1	FORK M16	[5]
19		2	SEEGER	[10]
20		1	SPACER	[11]
21		1	SHAFT	[12]
22	146 0935 000	2	ARM GREY WASTE HOPPER ROTATION	[1]
23	146 0881 000	1	ARMS GREY WASTE HOPPER LIFTING	[1]
24	146 0853 000	1	HARNES CONTAINER	[4]
25	146 1033 000	1	BUSHING PAP 30 20 P10	[5]
26	146 0931 000	1	ARM RIGHT	[1]
26A	146 1227 000	1	ARM RT HOPPER WASTE	[5]
27		8	SPACER	[11]
28		2	WASHER	[13]
29		2	SCREW	[2]
30		2	WASHER FLAT	[14]
31		2	SCREW	[2]
32		2	SCREW	[2]
33		2	WASHER FLAT	[14]
34	146 1159 000	2	Pakning Sr 1300	[5]
35	146 1000 000	2	PIN	[1]
36	146 1203 000	2	SPACER 30X50X1	[1]
37	146 1160 000	1	Pakning Sr 1300	[5]
38	146 1050 000	4	BUSHING PAP 30 40 P10	[4]

Part Notes:

- [1] - GUARANTEE DATE EXPIRED
- [2] - SCREW
- [3] - STARTING FROM SERIAL NO.033007700
NO LONGER AVAILABLE
- [4] - NO LONGER AVAILABLE
- [5] - STOCK COVERS GUARANTEE
- [6] - SEE PI 2017-002
- [7] - DOWEL
- [8] - BUSH
- [9] - NUT
- [10] - SEEGER
- [11] - SPACER
- [12] - SHAFT
- [13] - WASHER
- [14] - WASHER FLAT

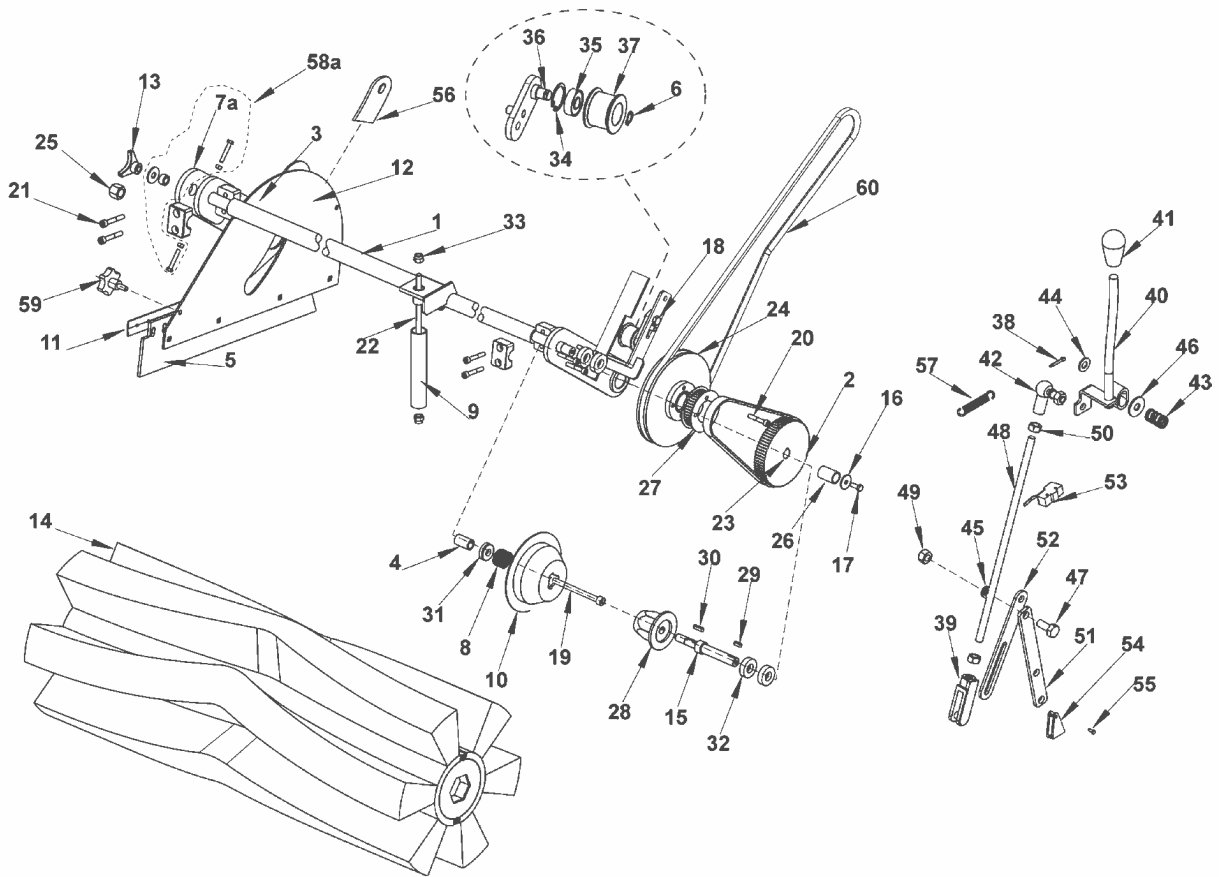


Resource notes:
Pos No.0=Not shown

Pos.	Vare-nr	Antal	Beskrivelse	Notes
01	146 1158 000	1	Pakning	
02	145 6013 000	1	Filter polyester antistatisk	
02	1463523000	1	Filter papir	
03	33023574	4	NUT LOCK HEX M8 ISO10511 PCS 10 SET	
04	33023208	1	WASHER M8 UNI6592 10 PCS SET	
05	145 5035 000	2	Knob M8	
06	1465997000	2	COLLAR METAL U M8 SIP	
07	145 5539 000	1	Filterryster motor	
08	146 2392 000	1	FRAME FILTER	[1]

Part Notes:

[1] - GUARANTEE DATE EXPIRED



Resource notes:

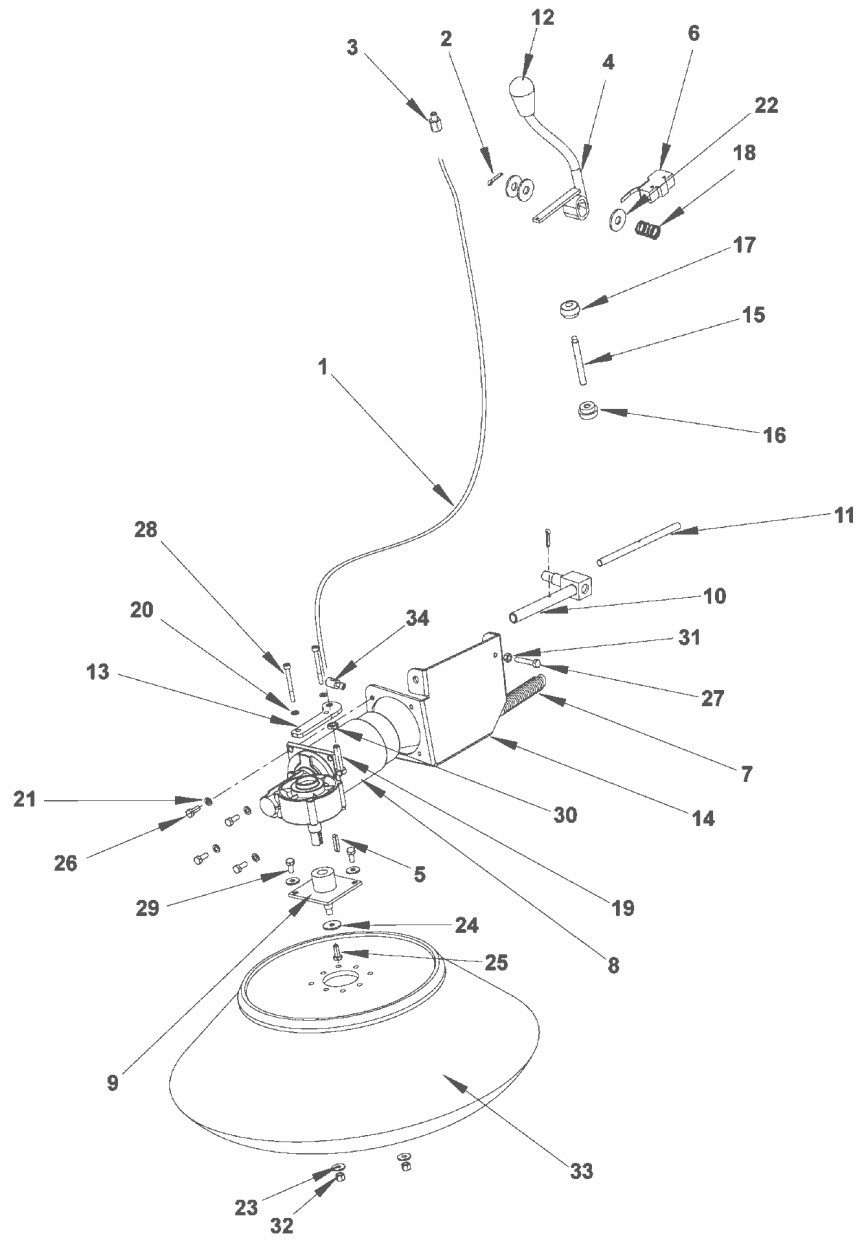
A: BEFORE S/N 033007702

Pos.	Vare-nr	Antal	Beskrivelse	Notes
00	146 1191 000	1	HARDWARE MAIN BROOM ASSY	[1]
01	146 0873 000	1	SHAFT.MAIN BROOM	[2]
02	146 0855 000	1	Rem	
03	1466733000	2	CLAMP PIPE FIXING D.18 -PAIR- SIP	
04	145 2662 000	1	Bøsning.12Xd.17X28 Sr-	
05	146 1150 000	1	Sværtrefrit skørt, side	
05	145 5927 000	1	Sideskørt	
06		1	SEEGER	[3]
07	1467720000	1	LEVER GALV. MAIN BROOM SIP	
07A	146 1236 000	1	LEVER.MAIN BROOM	[2]
08	1467024000	1	SPRING PKD	
09	146 0878 000	1	SPRING.MAIN BROOM	[2]
10	1467023000	1	HUB LEFT MAIN BROOM PKD	
11	145 5929 000	1	Side Flap Plate	
12	145 1827 000	1	Hængsel Hovedbørste SR 1100	
13	145 5035 000	1	Knob M8	
14	146 1018 000	1	Fejevalse standard	
14	145 4963 000	1	Fejevalse stål mix	
14	145 6135 000	1	Fejevalse til tæpper/naturfiber	[4]
15	146 0872 000	1	Aksel V. Hoved Børste Sr 1300	
16		1	WASHER FLAT	[5]
17		1	SCREW	[6]
18		1	SCREW HEX HD 8X20	[7]
19		1	SCREW 12X60	[8]
20		4	SCREW 6X35	[9]
21		4	SCREW 6X40	[10]
22	146 0971 000	1	ROD THREADED M8X180MM DIN975	[2]
23	146 0875 000	1	Hjul Bagerst Sr 1300	
24	146 0972 000	1	PULLEY ALU SPZ DP 160	[2]
25		1	NUT HEX M12	[11]
26	146 0876 000	1	SPACER 16X20X30.1	[2]
27	146 0874 000	1	Remhjul Sr 1300	
28	1463877000	1	Hub Main Broom	[12]
29		1	TAB	[13]
30		1	KEY	[14]
31	44905699	1	BEARING BALL 6001 2RS PKD	
32	1467637000	4	BEARING BALL 6002 2RS SIP	
33		2	NUT HEX M8	[15]
34		1	SEEGER	[3]
35	145 9186 000	1	Kullager	[1]
36	146 0877 000	1	LEVER WITH PIN	[2]
37	145 1209 000	1	Device For Belt Tension Device For Belt	[2]
38	1467005000	1	PIN SPLIT 4X25 UNI1336 10 PCS SET	
39	145 9666 000	1	Beslag, M10	
40	146 0997 000	1	LEVER. MAIN BROOM	[2]
41	146 0975 000	1	Kugle, Løftestang Sideb. Sr 1300 H	[16]
42	145 9769 000	1	BALL JOINT M10	
43	145 9578 000	1	SPRING COMPRESSION D.E.15 WIRE D.1.6	[16]
44		1	WASHER FLAT	[5]
45		2	WASHER FLAT	[5]
46		1	WASHER FLAT	[5]
47		1	NUT HEX M10	[17]
48	146 0996 000	1	ROD THREADED M10X320MM DIN975	[2]
49		1	NUT HEX SELF LOCK M10	[18]
50		2	NUT HEX M10	[17]
51	146 0998 000	1	LEVER	[2]
52	146 0999 000	1	LEVER	[2]
53	1466506000	1	MICROSWITCH 10A 250V PKD	
54	146 0949 000	1	SUPPORT BRACKET GALV.	[16]

Pos.	Vare-nr	Antal	Beskrivelse	Notes
55		2	SCREW M6X20	[19]
56	146 1168 000	1	GASKET.MAIN BROOM PROTEC.	[2]
57	145 0262 000	1	SPRING	[1]
58A	146 1238 000	1	Hovedbørste Justeringssæt	[16]
59	1466153000	2	KNOB LOBED M6X15 PKD	
60	146 1012 000	1	Rem	

Part Notes:

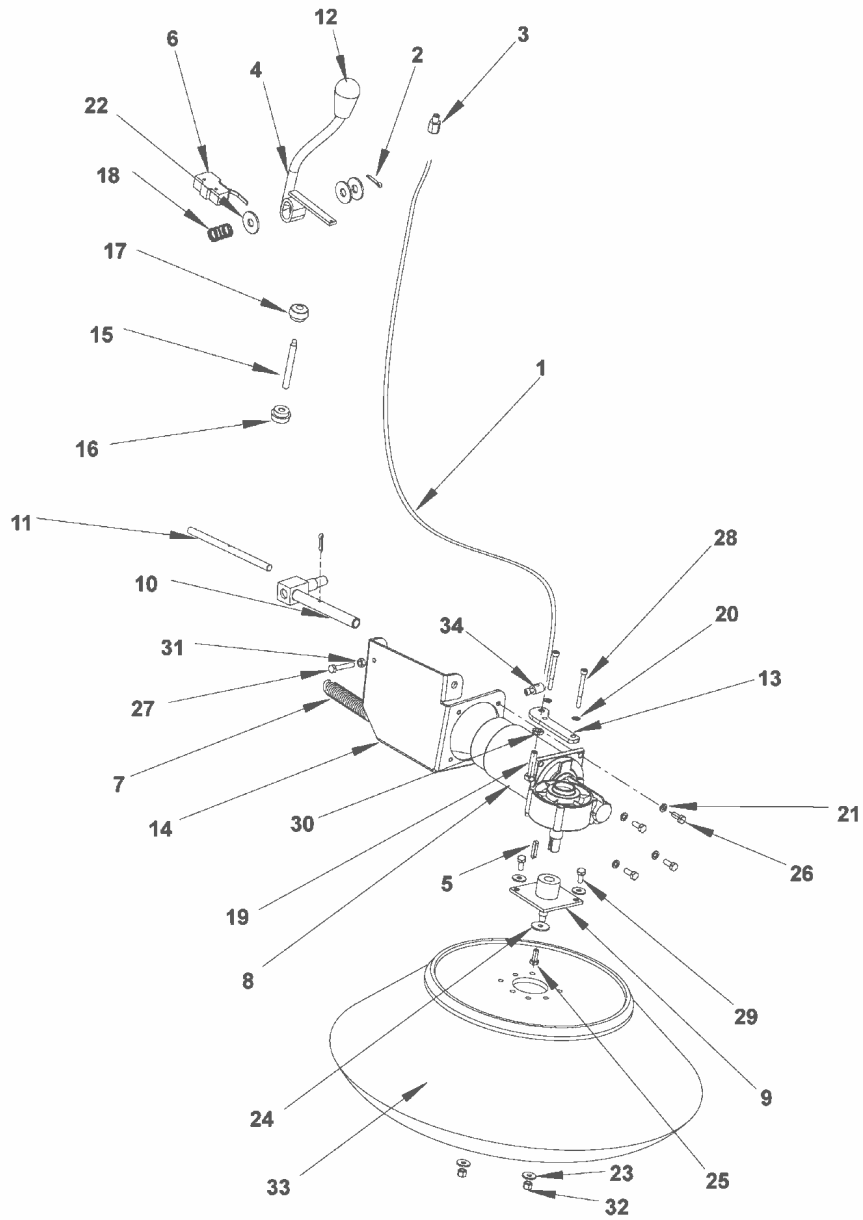
- [1] - NO LONGER AVAILABLE
- [2] - GUARANTEE DATE EXPIRED
- [3] - SEEGER
- [4] - PI 2015-001 TTY
- [5] - WASHER FLAT
- [6] - SCREW
- [7] - SCREW HEX HD 8X20
- [8] - SCREW 12X60
- [9] - SCREW 6X35
- [10] - SCREW 6X40
- [11] - NUT HEX M12
- [12] - SEE TSB IT 2008-023
- [13] - TAB
- [14] - KEY
- [15] - NUT HEX M8
- [16] - STOCK COVERS GUARANTEE
- [17] - NUT HEX M10
- [18] - NUT HEX SELF LOCK M10
- [19] - SCREW M6X20



Pos.	Vare-nr	Antal	Beskrivelse	Notes
00	145 5125 000	1	CARBON BRUSH	
00	146 1192 000	1	Side Kost Kit Sr 1300H	[1]
01	146 0927 000	1	Kabel For Sidebørste	[2]
02	1467005000	2	PIN SPLIT 4X25 UNI1336 10 PCS SET	
03	145 9283 000	1	Wirejustering	[3]
04	146 0926 000	1	LEVER.RIGHT SIDE BROOM	[2]
05		1	TAB	[4]
06	1466506000	1	MICROSWITCH 10A 250V PKD	
07	146 0986 000	1	Fjeder Venstre Sidebørste Sr 1300 H	
08	146 1039 000	1	Gearmotor højre	
09	146 2751 000	1	Hub, Side Broom	
10	145 1792 000	1	Stang, Sidebørste	
11	145 1951 000	1	Stang, Sidebørste	
12	146 0975 000	1	Kugle, Løftestang Sideb. Sr 1300 H	[3]
13	145 1831 000	1	BRACKET SIDE BROOM GEAR	[2]
14	1463206000	1	SUPPORT RIGHT SIDE BROOM	[2]
15	145 2432 000	1	RETAINER	[2]
16	1466151000	1	KNOB BLIND M8 KNURLED SIP	[2]
17	1466152000	1	KNOB THROUGH M8 KNURLED SIP	[2]
18	145 9578 000	1	SPRING COMPRESSION D.E.15 WIRE D.1.6	[3]
19	145 0234 000	1	ADJUSTER F SIDE BROOM GALV.	[2]
20		2	WASHER FLAT	[5]
21		4	WASHER FLAT	[5]
22		3	WASHER FLAT	[5]
23		4	WASHER FLAT	[5]
24		1	WASHER FLAT	[5]
25		1	SCREW HEX HD M6X20	[6]
26		4	SCREW HEX HD M6X16	[7]
27		1	SCREW HEX HD M6X35	[8]
28		2	SCREW M5X50	[9]
29		2	SCREW M8X30	[10]
30		1	NUT M8	[11]
31		1	NUT M6	[12]
32		2	SELF-LOCKING M8	[13]
33	146 1025 000	1	Sidekost standard	
33	146 1149 000	1	Sidekost stål mix	
33	146 1148 000	1	Sidekost til tæpper/naturfiber	[14]
34	145 9366 000	1	Klæmma	

Part Notes:

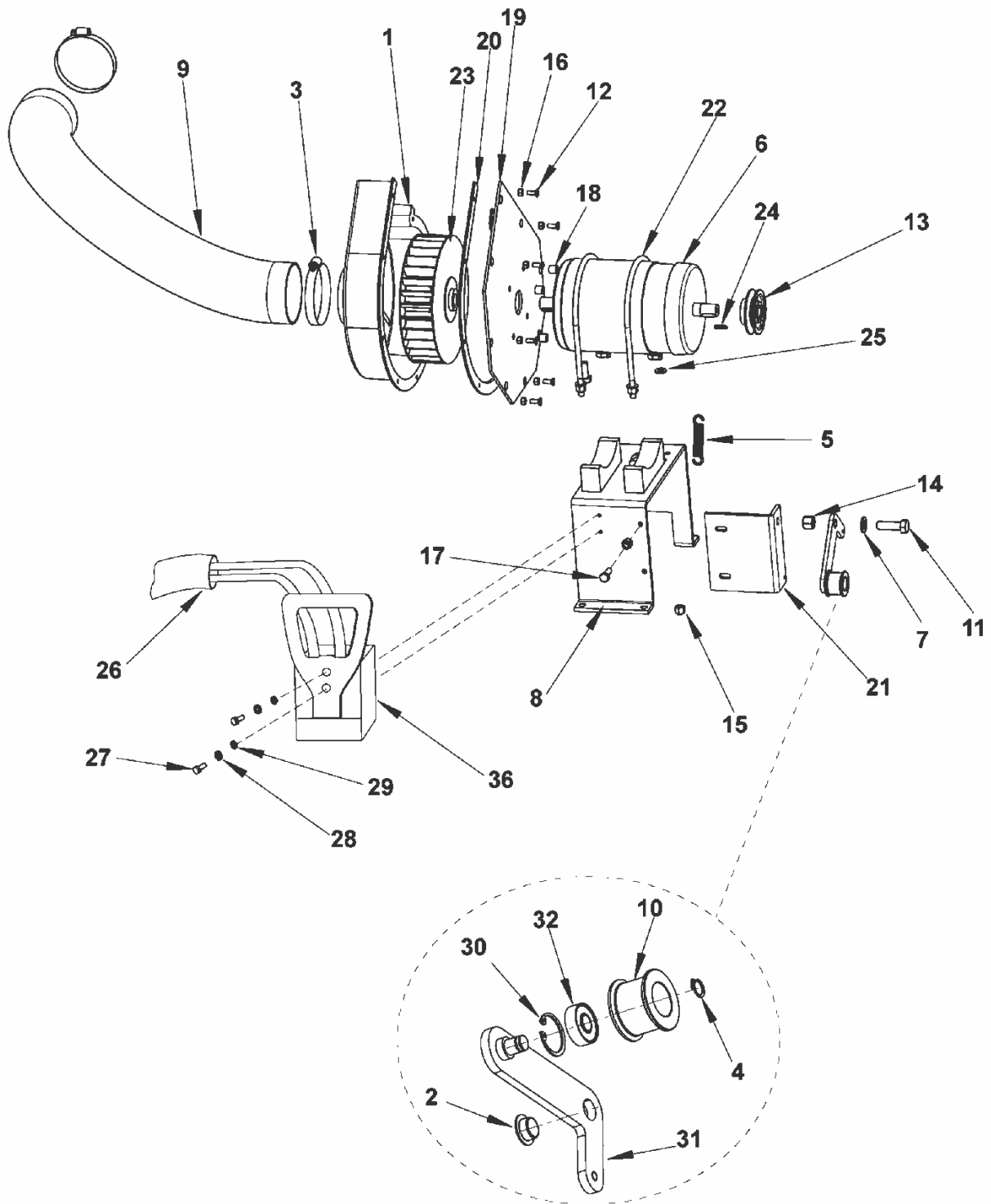
- [1] - NO LONGER AVAILABLE
- [2] - GUARANTEE DATE EXPIRED
- [3] - STOCK COVERS GUARANTEE
- [4] - TAB
- [5] - WASHER FLAT
- [6] - SCREW HEX HD M6X20
- [7] - SCREW HEX HD M6X16
- [8] - SCREW HEX HD M6X35
- [9] - SCREW M5X50
- [10] - SCREW M8X30
- [11] - NUT M8
- [12] - NUT M6
- [13] - SELF-LOCKING M8
- [14] - PI 2015-001 TTY



Pos.	Vare-nr	Antal	Beskrivelse	Notes
00	145 5125 000	2	CARBON BRUSH	
00	146 1675 000	1	BROOM LEFT SIDE PPL KIT	[1]
00	146 1192 000	1	Side Kost Kit Sr 1300H	[2]
01	146 1133 000	1	Kabel For Venstre Børste Sr 1300 H	[3]
02	1467005000	2	PIN SPLIT 4X25 UNI1336 10 PCS SET	
03	145 9283 000	1	Wirejustering	[4]
04	146 1132 000	1	LEVER.LEFT SIDE BROOM	[3]
05		1	TAB	[5]
06	1466506000	1	MICROSWITCH 10A 250V PKD	
07	146 0986 000	1	Fjeder Venstre Sidebørste Sr 1300 H	
08	146 1135 000	1	Motor, Sidebørste Venstre 90W 24V	
09	146 2751 000	1	Hub, Side Broom	
10	145 1792 000	1	Stang, Sidebørste	
11	145 1951 000	1	Stang, Sidebørste	
12	146 0975 000	1	Kugle, Løftestang Sideb. Sr 1300 H	[4]
13	145 1831 000	1	BRACKET SIDE BROOM GEAR	[3]
14	1463207000	1	SUPPORT LEFT SIDE BROOM	[3]
15	145 2432 000	1	RETAINER	[3]
16	1466151000	1	KNOB BLIND M8 KNURLED SIP	[3]
17	1466152000	1	KNOB THROUGH M8 KNURLED SIP	[3]
18	145 9578 000	1	SPRING COMPRESSION D.E.15 WIRE D.1.6	[4]
19	145 0234 000	1	ADJUSTER F SIDE BROOM GALV.	[3]
20		2	WASHER FLAT	[6]
21		4	WASHER FLAT	[6]
22		3	WASHER FLAT	[6]
23		4	WASHER FLAT	[6]
24		1	WASHER FLAT	[6]
25		1	SCREW HEX HD 6X16	[7]
26		4	SCREW HEX HD 6X16	[7]
27		1	SCREW HEX HD 6X35	[8]
28		2	SCREW 5X50	[9]
29		2	SCREW M6X25	[10]
30		1	NUT M8	[11]
31		1	NUT M6	[12]
32		2	SELF-LOCKING M8	[13]
33	146 1149 000	1	Sidekost stålmix	
33	146 1148 000	1	Sidekost til tæpper/naturfiber	[14]
33	146 1025 000	1	Sidekost standard	
34	145 9366 000	1	Klæmma	

Part Notes:

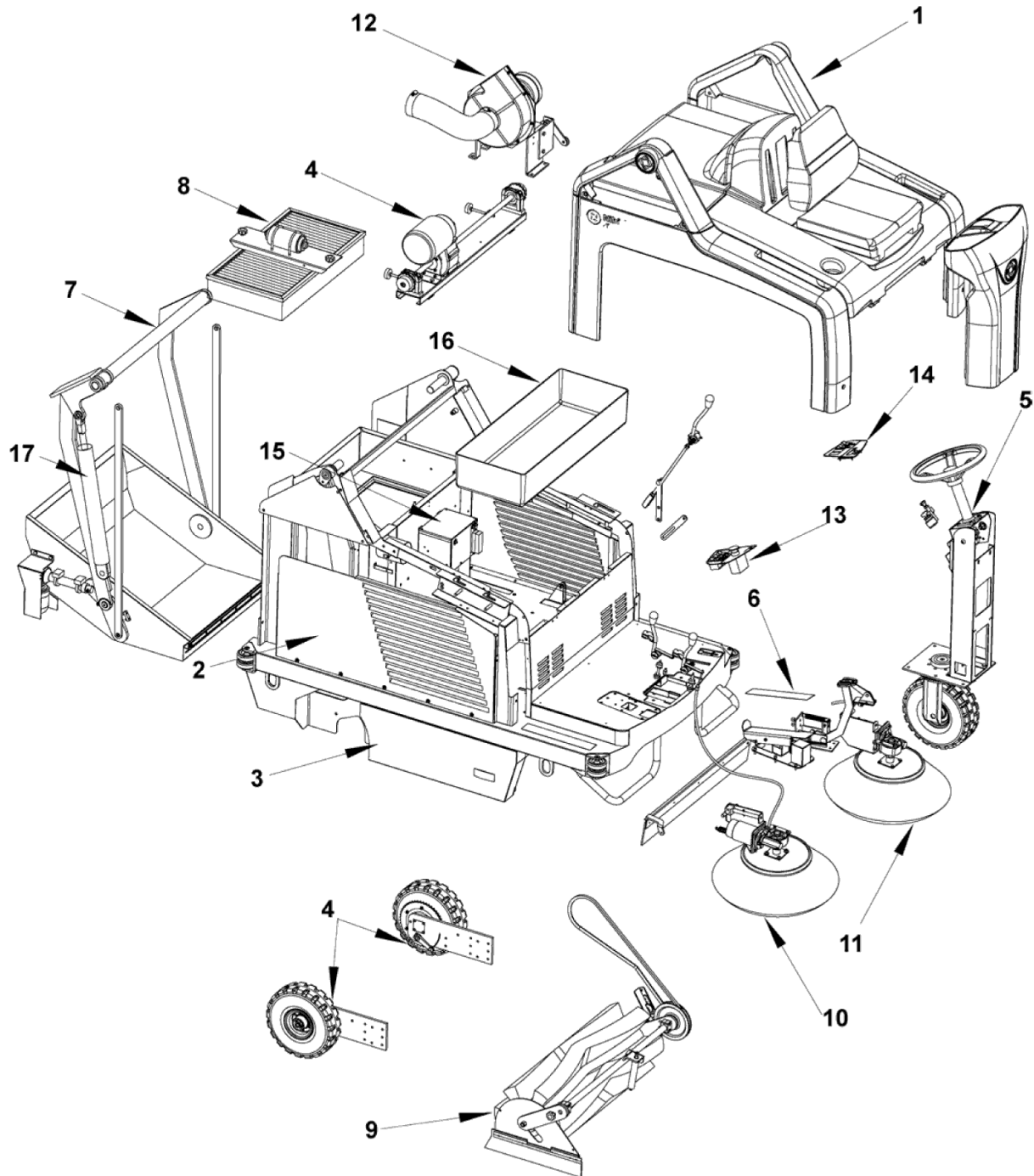
- [1] - ACCESSORY
PRUNED ACCESSORY
- [2] - NO LONGER AVAILABLE
- [3] - GUARANTEE DATE EXPIRED
- [4] - STOCK COVERS GUARANTEE
- [5] - TAB
- [6] - WASHER FLAT
- [7] - SCREW HEX HD 6X16
- [8] - SCREW HEX HD 6X35
- [9] - SCREW 5X50
- [10] - SCREW M6X25
- [11] - NUT M8
- [12] - NUT M6
- [13] - SELF-LOCKING M8
- [14] - PI 2015-001 TTY



Pos.	Vare-nr	Antal	Beskrivelse	Notes
00	1464433000	4	Brush Carbon Kit 4Pcs	[1]
00	9097590000	1	Batteri Kabel	
00	146 1193 000	1	HARDWARE ELECTRIC MOTOR	[2]
00	1464433000	1	Brush Carbon Kit 4Pcs	
01	146 0966 000	1	SCROLL.FAN	[3]
02	146 0883 000	1	SPACER 28X60X1.5	[3]
03	146 1056 000	2	CLAMP 80-110	[4]
04		1	SEEGER	[5]
05	145 9991 000	1	SPRING EXTENSION D.E.16 WIRE D.2	[3]
06	146 0835 000	1	Motor Electric 1100W 24V	[3]
07		1	WASHER FLAT	[6]
08	146 0867 000	1	SUPPORT.ELECTRIC MOTOR	[3]
09	146 1013 000	1	Slange	[3]
10	145 1209 000	1	Device For Belt Tension Device For Belt	[7]
11		1	SCREW HEX HD M10X40	[8]
12		8	SCREW	[9]
13	146 1014 000	1	PULLEY	[3]
14		1	NUT	[10]
15		6	NUT	[10]
16		8	NUT	[10]
17		2	SCREW HEX HD 8X16	[11]
18		4	SPACER	[12]
19	146 0968 000	1	PLATE	[3]
20	146 1109 000	1	GASKET PROTECTION FAN	[3]
21	146 0868 000	1	SUPPORT.BELT TENSIONER	[3]
22	146 0970 000	2	COLLAR.MOTOR FIXING	[3]
23	146 0869 000	1	FAN RADIAL D.200X54 LT D.19 HUB GALV.	[3]
24	145 9773 000	2	KEY 6X6X20 UNI6604A	
25		6	WASHER FLAT	[6]
26	146 0849 000	1	HARNES BATTERY	[3]
27		2	SCREW 6X30	[13]
28		2	WASHER	[14]
29		2	WASHER FLAT	[6]
30		1	SEEGER	[5]
31	146 0871 000	1	ARM BELT TENSIONER	[3]
32	145 9186 000	1	Kullager	[15]
36	1467029000	1	CONNECTOR 175A RED SIP	

Part Notes:

- [1] - FOR MOTOR 146 0835 000
- [2] - POS.4,7,11,12,14,15,16,17,25,27,28,29,30 INCLUDED
GUARANTEE DATE EXPIRED
- [3] - GUARANTEE DATE EXPIRED
- [4] - STOCK COVERS GUARANTEE
- [5] - SEEGER
- [6] - WASHER FLAT
- [7] - BELT TENSIONER ROLLER
GUARANTEE DATE EXPIRED
- [8] - SCREW HEX HD M10X40
- [9] - SCREW
- [10] - NUT
- [11] - SCREW HEX HD 8X16
- [12] - SPACER
- [13] - SCREW 6X30
- [14] - WASHER
- [15] - NO LONGER AVAILABLE



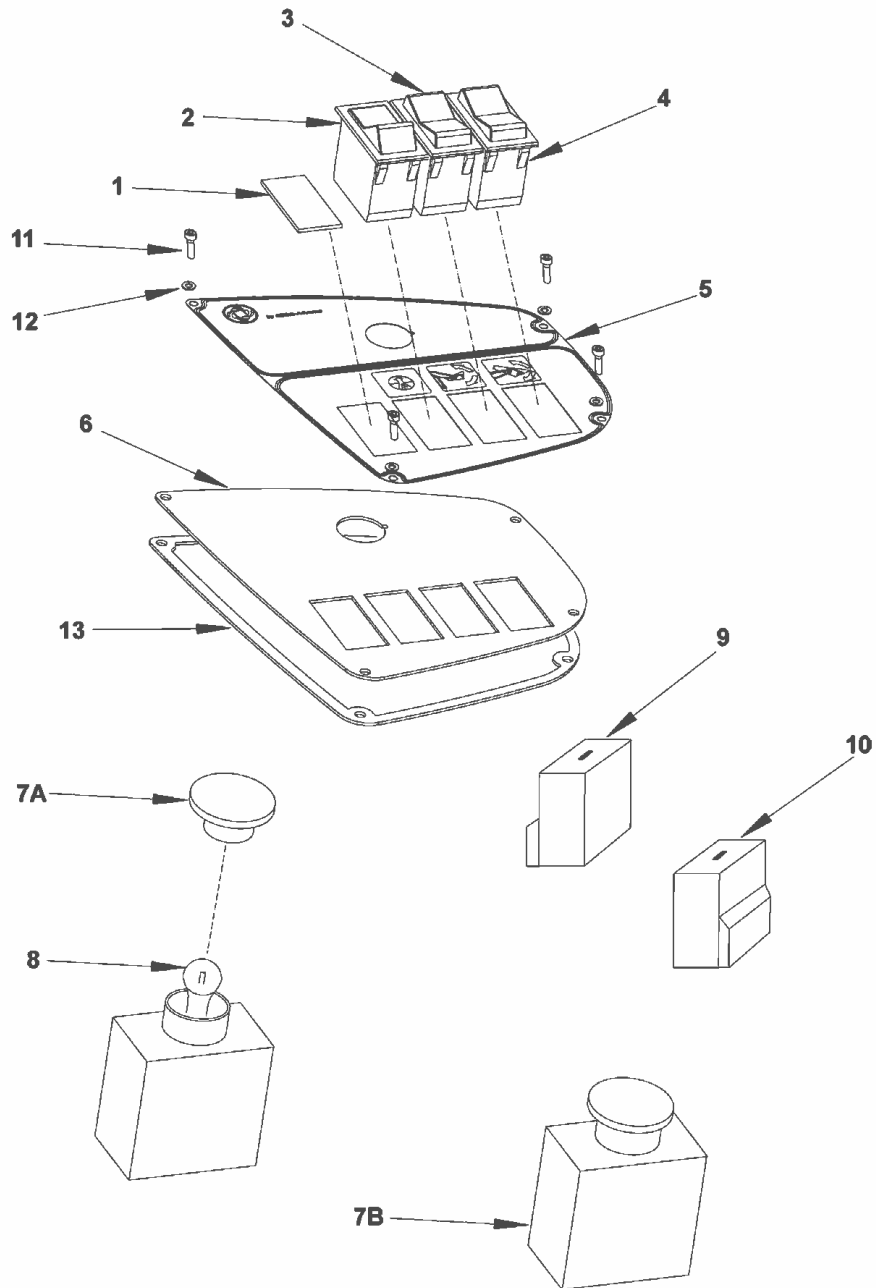
Resource notes:

A: AFTER S/N 033007700

Pos.	Vare-nr	Antal	Beskrivelse	Notes
01		1	ROTOMOLDED ASSEMBLY	[1]
02		1	CHASSIS ASSEMBLY	[2]
03		1	SIDE HATCHS ASSEMBLY	[3]
04		1	DRIVE ASSEMBLY	[4]
05		1	STEERING ASSEMBLY	[5]
06		1	CONTROL PEDALS ASSEMBLY	[6]
07		1	WASTE CONTAINER ASSEMBLY	[7]
08		1	FILTER ASSEMBLY	[8]
09		1	MAIN BROOM ASSEMBLY	[9]
10		1	RIGHT SIDE BROOM ASSEMBLY	[10]
11		1	LEFT SIDE BROOM ASSEMBLY	[11]
12		1	EL. MOTOR ASSEMBLY	[12]
13		1	RIGHT CONTR.PANEL ASSEMBLY	[13]
14		1	LEFT CONTR.PANEL ASSEMBLY	[14]
15		1	ELECTRICAL COMPONENTS BOX	[15]
16		1	ELECTRICAL COMPONENTS	[16]
17		1	HYDRAULIC SYSTEM	[17]

Part Notes:

- [1] - ROTOMOLDED ASSEMBLY
- [2] - CHASSIS ASSEMBLY
- [3] - SIDE HATCHS ASSEMBLY
- [4] - DRIVE ASSEMBLY
- [5] - STEERING ASSEMBLY
- [6] - CONTROL PEDALS ASSEMBLY
- [7] - WASTE CONTAINER ASSEMBLY
- [8] - FILTER ASSEMBLY
- [9] - MAIN BROOM ASSEMBLY
- [10] - RIGHT SIDE BROOM ASSEMBLY
- [11] - LEFT SIDE BROOM ASSEMBLY
- [12] - EL. MOTOR ASSEMBLY
- [13] - RIGHT CONTR.PANEL ASSEMBLY
- [14] - LEFT CONTR.PANEL ASSEMBLY
- [15] - ELECTRICAL COMPONENTS BOX
- [16] - ELECTRICAL COMPONENTS
- [17] - HYDRAULIC SYSTEM



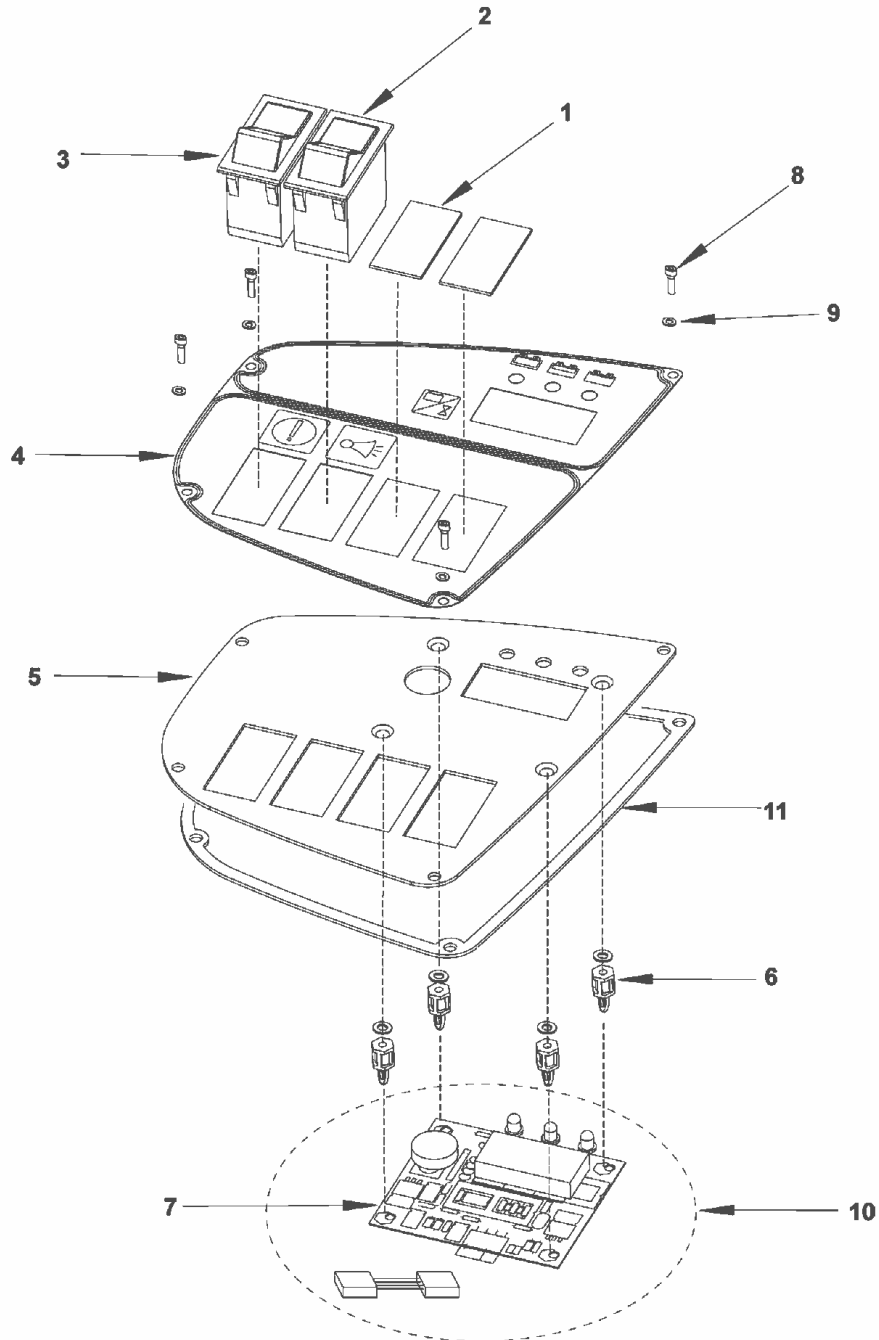
Resource notes:

A: BEFORE S/N 041604815 B: STARTING FROM S/N 041604815

Pos.	Vare-nr	Antal	Beskrivelse	Notes
01	146 1284 000	1	CAP	
02	146 0845 000	1	Kontakt Til Sug Sr1300Hb	
03	146 0846 000	1	Knapp	
04	146 0847 000	1	Trykknapp	
05	146 2070 000	1	DECAL CONTROL PANEL RT	[1]
06	146 1021 000	1	CONTROL PANEL.RIGHT	[2]
07A	146 2905 000	1	Kontakt Alarm Kit	[3]
07B	1466683000	1	SWITCH EMERGENCY KIT	
08A	145 1233 000	1	Lampadina 24V 3 W	[1]
09B	146 1730 000	1	Contact. Na.	
10A	146 1728 000	1	Kontakt	
10B	146 1728 000	1	Kontakt	
11	145 0572 000	4	SCREW M4X10 BUT HD HEX SOCK ISO7380-1	[4]
12	33023198	4	WASHER PLAIN M4 ISO7089 10 PCS SET	
13	146 1230 000	1	GASKET.RIGHT CONTR. PANEL	[2]

Part Notes:

- [1] - GUARANTEE DATE EXPIRED
- [2] - STOCK COVERS GUARANTEE
- [3] - NO LONGER AVAILABLE
- [4] - SEE PI 2017-002



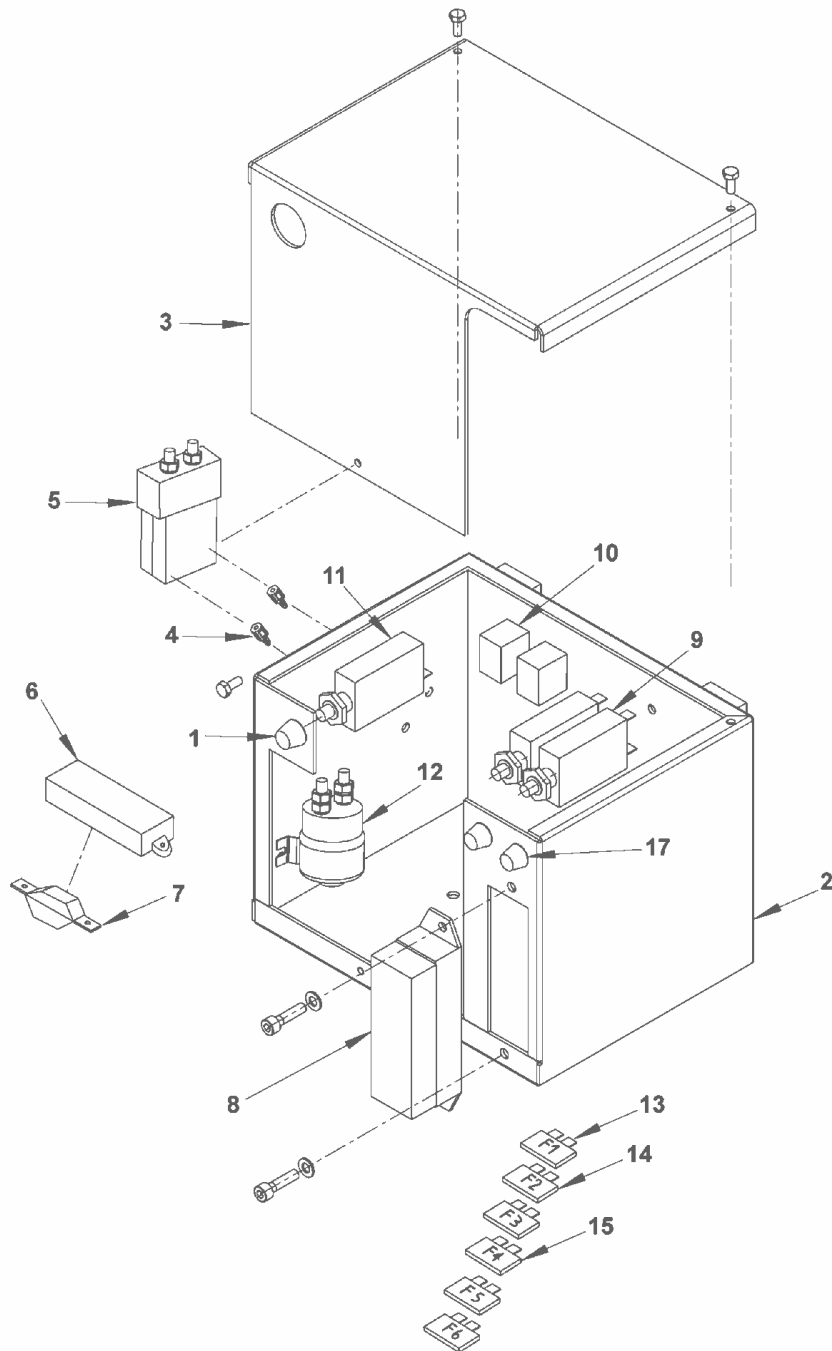
Resource notes:

A: BEFORE S/N 041805273 B: STARTING FROM S/N 041805273

Pos.	Vare-nr	Antal	Beskrivelse	Notes
01	146 1284 000	2	CAP	
02	146 0845 000	1	Kontakt Til Sug Sr1300Hb	
03	145 8180 000	1	SWITCH ROCKER HORN KIT	[1]
04	146 1024 000	1	DECAL CONTROL PANEL LT	[2]
05	146 2071 000	1	CONTROL PANEL.LEFT	[1]
06	146 0657 000	4	SPACER HEX M4 L.11 FEMALE PLAST.	[3]
07B	1466161000	1	CONTROLLER MAIN MACHINE KIT	[4]
08	145 0572 000	4	SCREW M4X10 BUT HD HEX SOCK ISO7380-1	[5]
09	33023198	8	WASHER PLAIN M4 ISO7089 10 PCS SET	
10A	1466162000	1	CONTROLLER MAIN MACHINE W/HARNESS KIT	[2]
11	146 1231 000	1	GASKET.LEFT CONTR. PANEL	[1]

Part Notes:

- [1] - STOCK COVERS GUARANTEE
- [2] - GUARANTEE DATE EXPIRED
- [3] - NO LONGER AVAILABLE
- [4] - INSTALLATION INSTRUCTIONS 1465914000
- [5] - SEE PI 2017-002

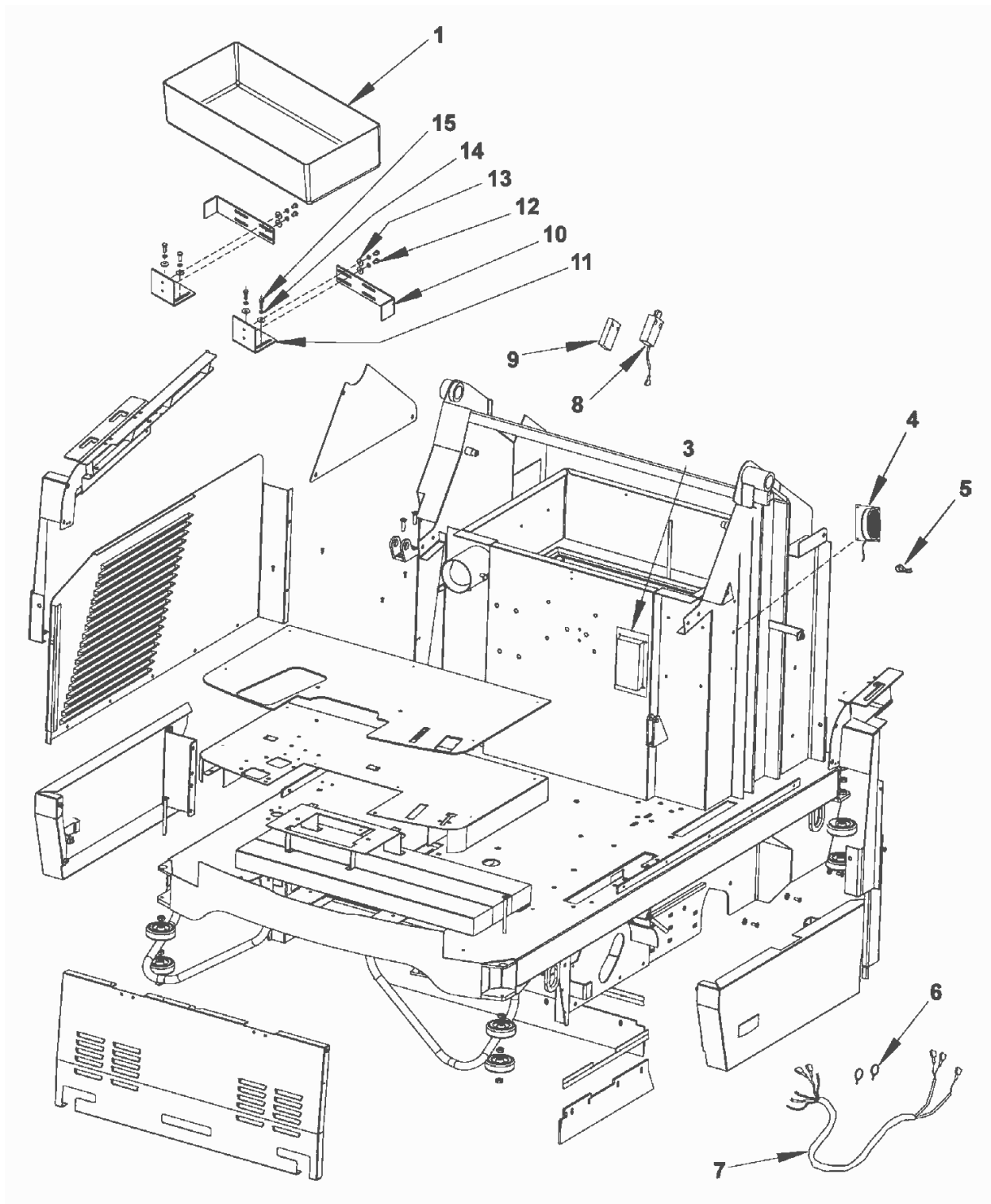


Resource notes:
Pos No.0=Not shown

Pos.	Vare-nr	Antal	Beskrivelse	Notes
00	146 0852 000	1	HARNESSE EL.COMPON.BOX	[1]
00	146 1194 000	1	HARDWARE EL.COMP.BOX KIT	[2]
01	146 0842 000	1	CAP RUBBER M12X1 F CIRCUIT BREAKER	[1]
02	146 2414 000	1	BOX. ELECTRIC COMPONENTS	[2]
03	146 2415 000	1	COVER	[2]
04	146 0627 000	2	SPACER HEX M4 L.10 BRASS	
05	146 0839 000	1	SWITCH ELECTROMAGNETIC 24V 120A	[2]
06	146 1169 000	1	HOLDER FUSE	
07	146 0840 000	1	Sikring 150A Sr1300H	
08	146 1170 000	1	Holder Fuse 8 Ways	
09	L08812633	2	Fus 10 A	
10	145 3712 000	2	Relæ, 24V	
11	146 0843 000	1	Sikring 50A	[1]
12	145 0300 000	1	Kontakt, 24V 120A	
13	145 9853 000	2	Sikring 15 A, Sw700S	
14	146 1776 000	1	FUSE BLADE 20A	
15	1467034000	3	FUSE BLADE 10A SIP	
17	146 0841 000	1	CAP.PROTECTION FUSE	

Part Notes:

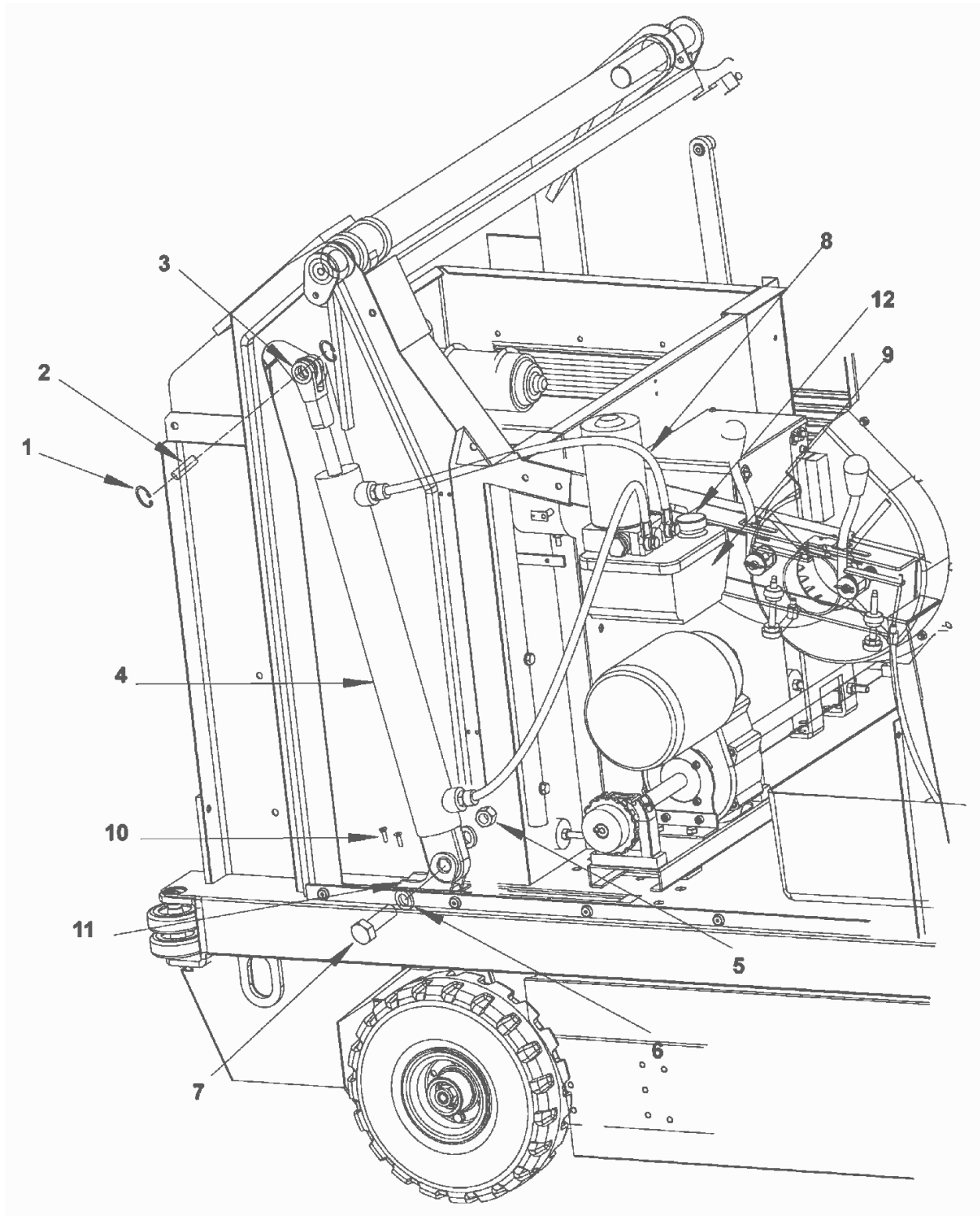
- [1] - GUARANTEE DATE EXPIRED
- [2] - STOCK COVERS GUARANTEE



Pos.	Vare-nr	Antal	Beskrivelse	Notes
00	146 1199 000	1	CALIBRATOR	[1]
01	145 6126 000	1	Container Battery	[2]
02	33005445	4	Skruer Galvaniseret M8X25 Ba650S	
03	1466167000	1	CONTROLLER DRIVE WHEEL PKD	
04	145 5817 000	1	BUZZER INTERMITTENT MULTIVOLTAGE	[3]
05	L08239900	1	CLAMP D.6 WHITE	
06	146 0987 000	1	TIE CABLE ARROWHEAD	[2]
07	146 1843 000	1	HARNESS MAIN	[3]
08	1463568000	1	MICROSWITCH KIT	[2]
09	146 1130 000	1	SPACER GALV. F MICROSWITCH	[3]
10	146 1182 000	2	BRACKET UPPER BAT.FIXING	[3]
11	146 1178 000	2	BRACKET LOWER BAT.FIXING	[3]
12	33003991	4	Screw Hex Hd 8X12	
13	33023660	8	WASHER PLAIN M8X24X2 ISO7093 5 PCS SET	
14	33005842	8	Skive M8 UNI1751B	

Part Notes:

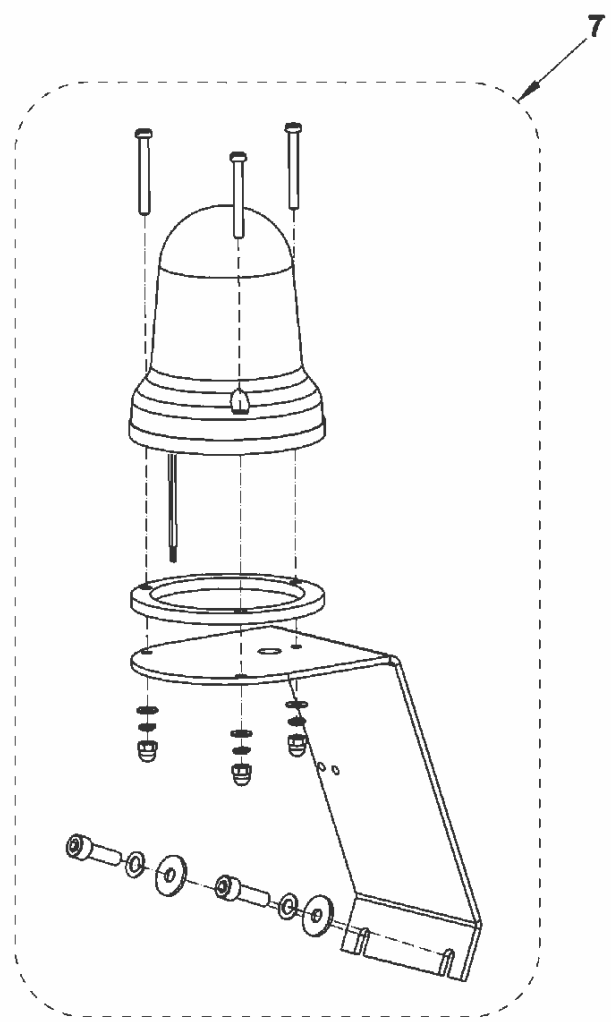
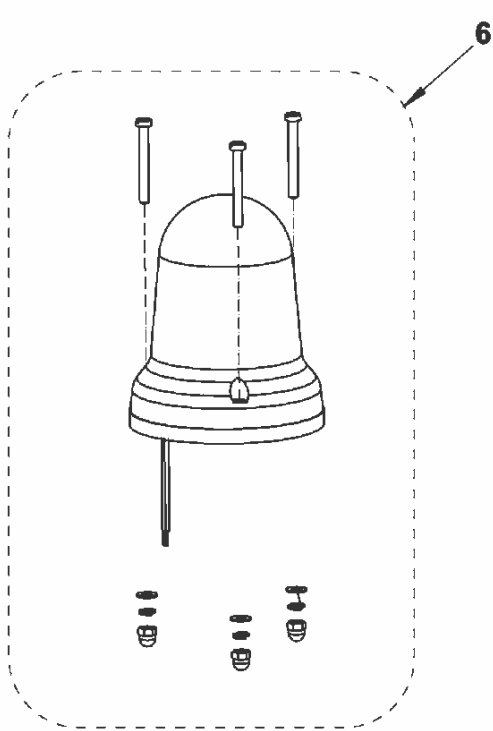
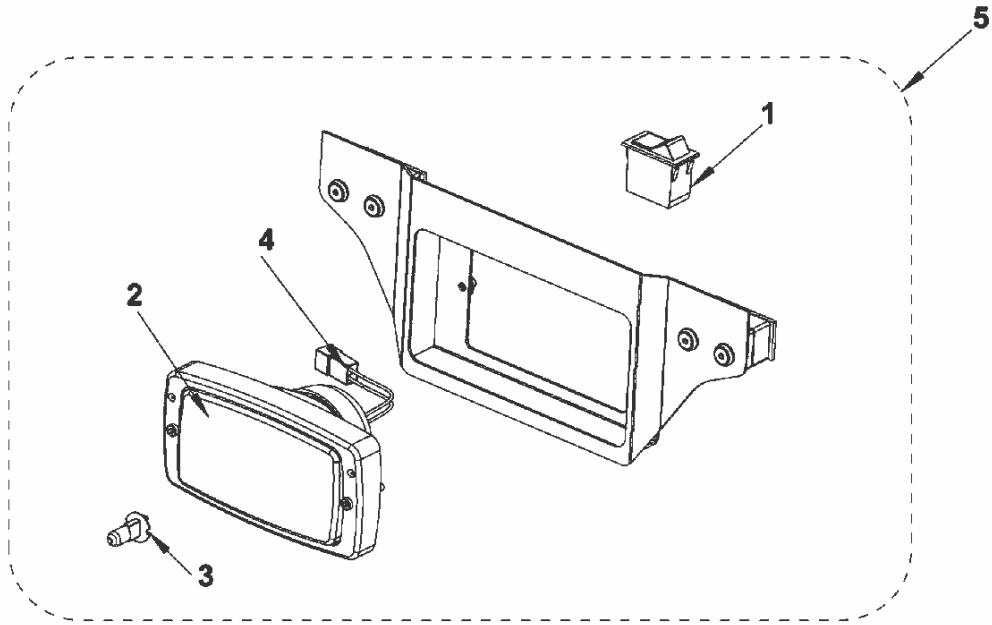
- [1] - FOR 146 0838 000
STOCK COVERS GUARANTEE
- [2] - STOCK COVERS GUARANTEE
- [3] - GUARANTEE DATE EXPIRED



Pos.	Vare-nr	Antal	Beskrivelse	Notes
01	145 9356 000	2	RING D 16 UNI7435	[1]
02	146 1044 000	1	PIN	[1]
03	146 0934 000	1	FORK M16	[2]
04	146 0885 000	1	CYLINDER HYDRAULIC	[3]
05	1467189000	1	NUT LOCK HEX M16 LOW ISO10511 5 PCS SET	
06	1467686000	2	WASHER PLAIN M5X15 ISO7093 10 PCS SET	
07	146 1171 000	1	SCREW M20X55 CAP HD HEX SOCK ISO4762	[1]
08	146 1042 000	2	HOSE HYDRAULIC 1/4 L.1000	[1]
09	146 0921 000	1	GEARCASE.HYDRAULIC 24V	[3]
10	33004594	2	Skrue M8x30	[1]
11	146 0884 000	1	SUPPORT CYLINDER	[1]
12	146 1868 000	1	CAP HYDRAULIC LEAK PROOF PLASTIC RED	[2]

Part Notes:

- [1] - GUARANTEE DATE EXPIRED
- [2] - STOCK COVERS GUARANTEE
- [3] - NO LONGER AVAILABLE

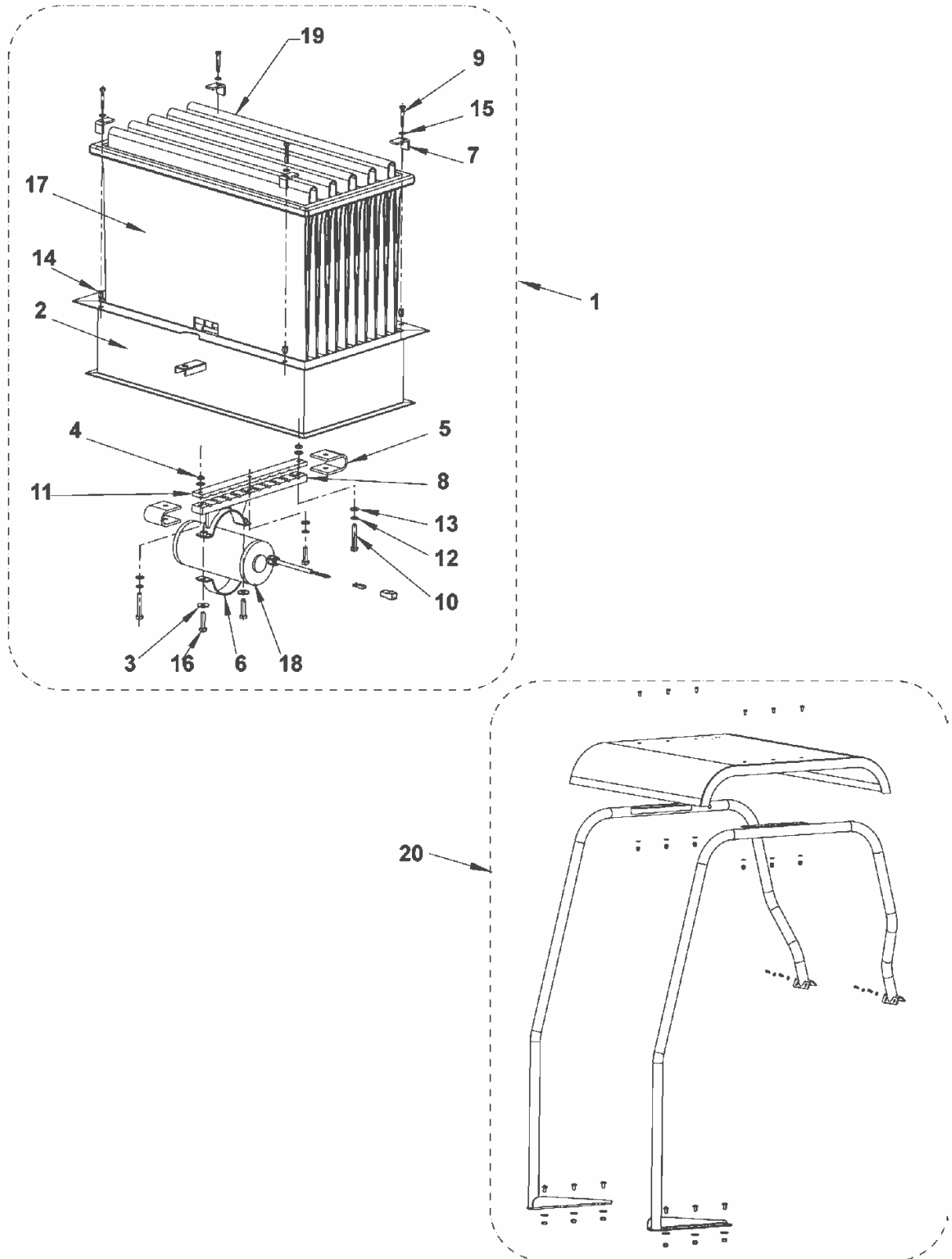


Resource notes:
Pos No.0=Not shown

Pos.	Vare-nr	Antal	Beskrivelse	Notes
01	146 1167 000	1	SWITCH ROCKER W/ WORK LIGHT LEN KIT	
02	146 1196 000	1	LIGHT	[1]
03	146 1198 000	1	LAMP 24V 55W	[1]
04	146 2179 000	1	HARNES WORKING LIGHT	[1]
05	146 2680 000	1	Kørellys	[2]
06	146 2098 000	1	Advarselsblink til førerværn	[2]
07	146 2676 000	1	Rotorblink	[2]

Part Notes:

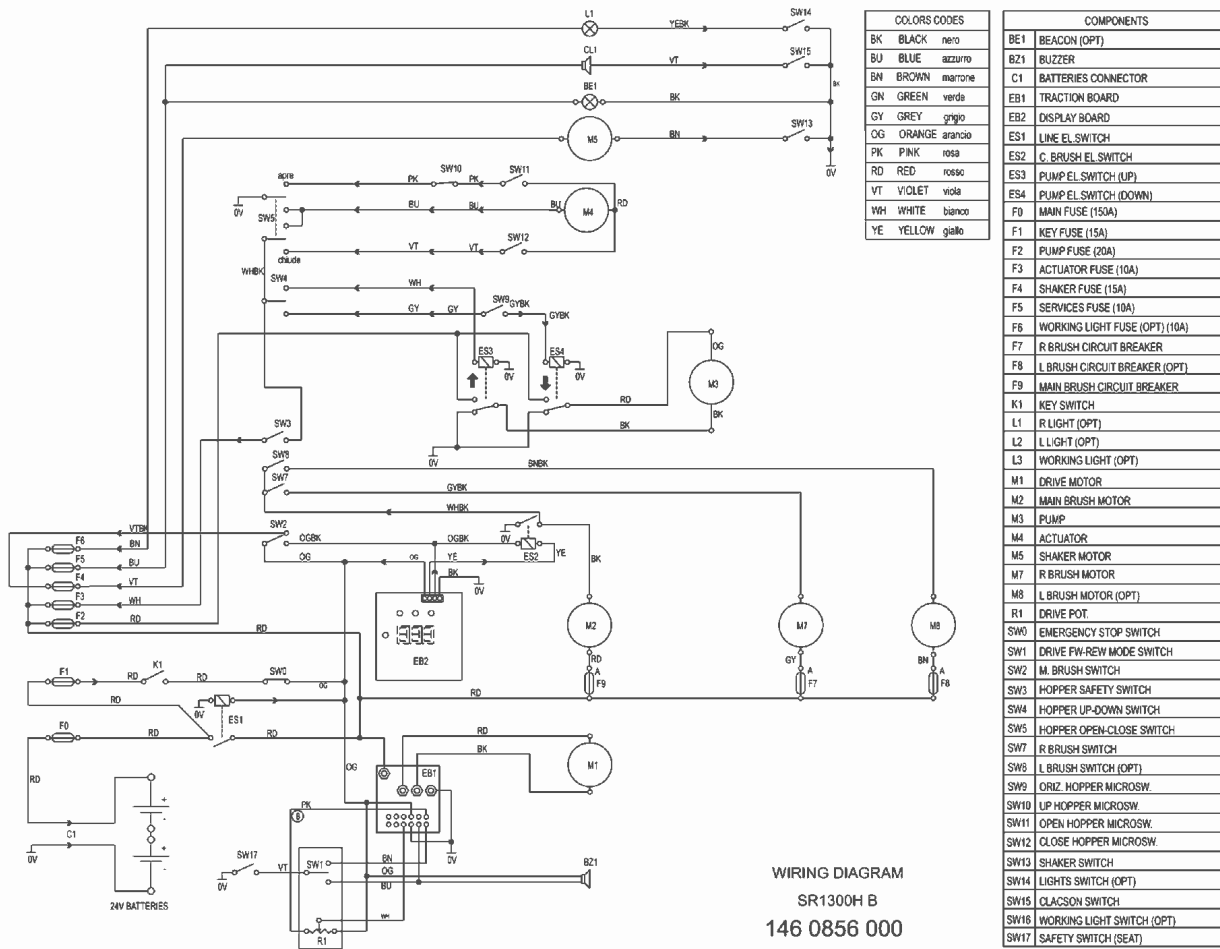
- [1] - STOCK COVERS GUARANTEE
- [2] - PRUNED ACCESSORY



Pos.	Vare-nr	Antal	Beskrivelse	Notes
01	146 2677 000	1	Filter polyester antistatisk	[1]
02	146 2776 000	1	SUPPORT FOR POCKET FILTER	[2]
03		2	RONDELLA PIANA 8X24	[3]
04		2	DADO E.BASSO M8	[4]
05	146 1314 000	2	RUBBER ANTISHOCK	[5]
06	146 1663 000	1	COLLAR FILTER SHAKER MOTOR	[5]
07	146 1664 000	4	BRACKET. FILTER FIXING	[2]
08	146 1665 000	1	SUPPORT FILTER SHAKER MOTOR	[5]
09		4	VITE TE M6X40	[6]
10		2	VITE TE M8X55	[7]
11	146 1666 000	1	PLATE FILTER SHAKER MOTOR	[5]
12		3	RONDELLA	[8]
13		5	RONDELLA PIANA	[9]
14		4	INSERTO M6	[10]
15		4	RONDELLA PIANA	[9]
16		3	VITE TE M8X35	[11]
17	146 1239 000	1	Filter.Cloth Pocket	[2]
18	146 2269 000	1	Rystemotor 24 Volt R680B/P	[12]
19	146 1674 000	1	SEPARATOR.FILTER CLOTH	[2]
20	146 2674 000	1	Førerværn	[1]

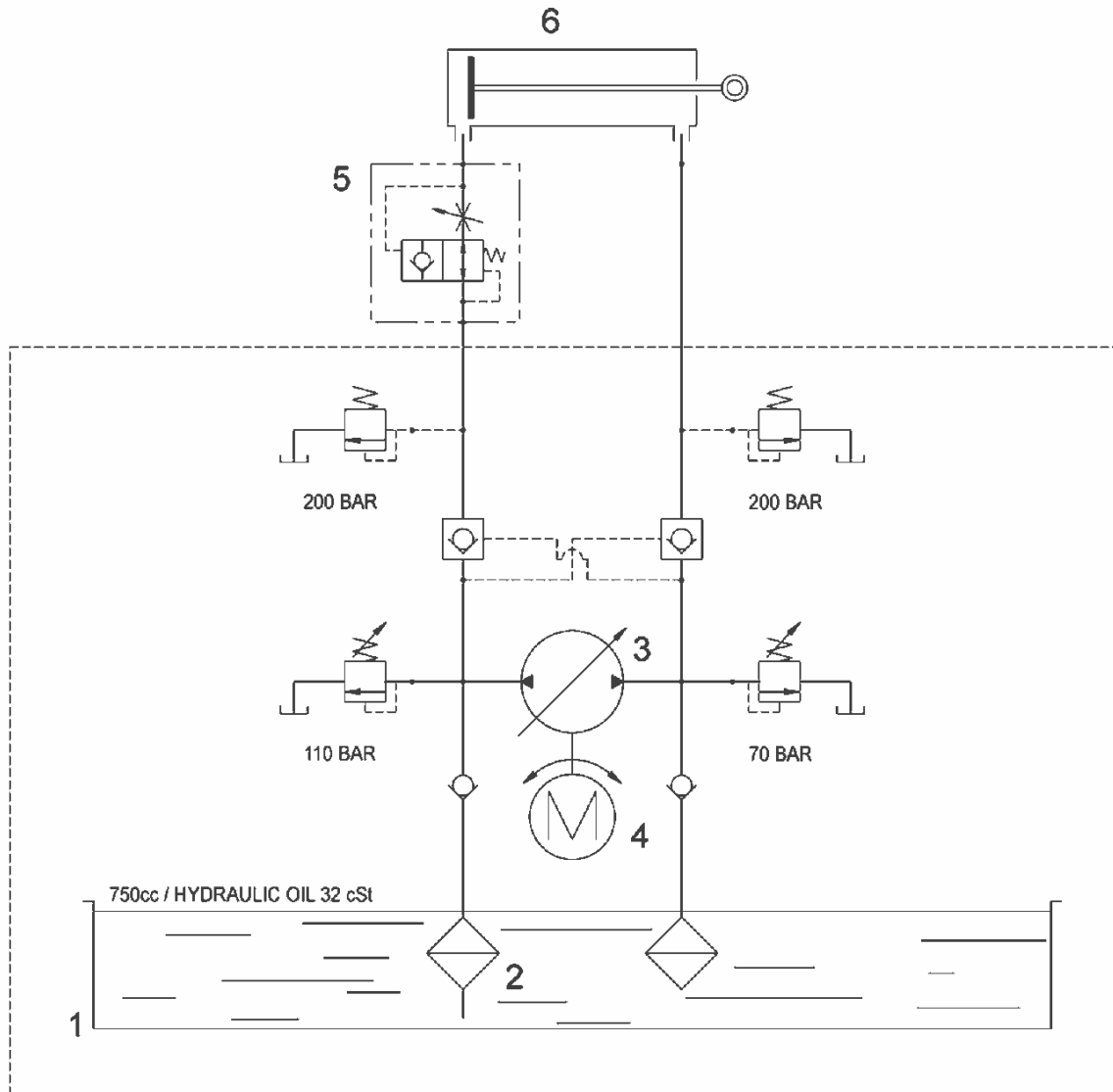
Part Notes:

- [1] - PRUNED ACCESSORY
- [2] - STOCK COVERS GUARANTEE
- [3] - RONDELLA PIANA 8X24
- [4] - DADO E.BASSO M8
- [5] - GUARANTEE DATE EXPIRED
- [6] - VITE TE M6X40
- [7] - VITE TE M8X55
- [8] - RONDELLA
- [9] - RONDELLA PIANA
- [10] - INSERTO M6
- [11] - VITE TE M8X35
- [12] - NO LONGER AVAILABLE



Pos.	Vare-nr	Antal	Beskrivelse	Notes
------	---------	-------	-------------	-------

LEGENDA / KEY	
1)	SERBATOIO OLIO IDRAULICO / HYDRAULIC OIL TANK
2)	FILTRO OLIO IDRAULICO / HYDRAULIC OIL FILTER
3)	POMPA IDRAULICA / HYDRAULIC PUMP
4)	MOTORE PROPULSIVO / ENGINE
5)	VALVOLA PARACADUTE / HOSE BURST VALVE
6)	CILINDRO IDR. SOLLEV. CASSONE / DUMPER LIFTING CYLINDER



Pos.	Vare-nr	Antal	Beskrivelse	Notes
------	---------	-------	-------------	-------

Pos Item Bild Rép	Codice Ref. No. Art. Nr. Réf. No	Q.tà Qty Menge Qté	Descrizione	Description
			MATERIALE DI USURA	WEAR PARTS
1	145 5665 000	1	FILTRO	FILTER (PAPER)
2	145 5927 000	2	FLAP LATERALE - STD	SKIRT (STD - SIDE)
3	145 4654 000	1	FLAP POSTERIORE -STD	SKIRT (STD - REAR)
4	145 4653 000	1	FLAP ANTERIORE - STD	SKIRT (STD - FRONT)
5	146 1018 000	1	SPAZZOLA CENTR.STD 3 RANGHI 300X800 MM PPL	MAIN BROOM 3 ROWS Ø 300X800 MM PPL
6	146 1025 000	1	SPAZZOLA LAT.STD 3 RANGHI 280X500 MM PPL	SIDE BROOM 3 ROWS Ø 280X500 MM PPL
7	146 1153 000	1	KIT MATERIALE DI CONSUMO (SPAZZOLE CENTR/LATERALI/ FLAP/FILTRO STANDARD)	KIT CONSUMABLES (STD MAIN/SIDE BROOMS, FILTER, SKIRTS)
			MANUTENZIONE ORDINARIA	ORDINARY MAINTENANCE
8	146 1158 000	1	GUARNIZIONE ADESIVA	GASKET
9	146 1159 000	2	GUARNIZIONE LATERALE CASSONE	HOPPER GASKET SIDE
10	146 1160 000	1	GUARNIZIONE POSTERIORE CASSONE	HOPPER GASKET REAR
11	146 0882 000	1	GUARNIZIONE CASSONE ANTERIORE	HOPPER GASKET FRONT
12	146 1147 000	1	GUARNIZIONE COFANO	HOPPER COVER GASKET
13	145 2352 000	3	GOMMA RUOTA ANT E POST	TYRE WHEEL -FRONT & REAR
14	146 1013 000	1	TUBO ASPIRAZIONE	SUCTION TUBE
15	146 1012 000	1	CINGHIA	BELT
16	146 0855 000	1	CINGHIA	BELT
17	146 1038 000	1	CAVO ALZAFLAP	FLAP CABLE
18	145 5042 000	4	SPAZZOLE MOTORE SPAZZOLA CENTRALE	CENTRAL BROOM MOTOR CARBON BRUSHES
19	145 9864 000	4	SPAZZOLE MOTORE TRAZIONE	DRIVE MOTOR CARBON BRUSHES
20	145 5125 000	2	SPAZZOLE MOTORE SPAZZOLA LATERALE	SIDE BROOM MOTOR CARBON BRUSHES
			MANUTENZIONE STRAORDINARIA	EXTRAORDINARY MAINTENANCE
21	145 1784 000	1	CATENA	CHAIN 3/8 68 PITCHES
22	146 1114 000	2	CATENA	CHAIN 1/2 -5/16 97PITCHES
23	146 1039 000	1	MOTORIDUTTORE SPAZZOLA LATERALE	SIDE BROOM MOTOR+GEAR BOX
24	145 9679 000	1	MICROINTERRUTTORE LEVA SPAZZOLA LATERALE	MICROSWITCH SIDE BROOM LEVER
25	145 9679 000	1	MICROINTERRUTTORE LEVA SPAZZOLA CENTRALE	MICROSWITCH CENTRAL BROOM LEVER
26	146 0844 000	1	SCHEDA CONTROLLO PEDALE	PEDAL CONTROL BOARD
27	146 0838 000	1	SCHEDA ELETTRONICA TRAZIONE	DRIVE ELECTRONIC BOARD
28	146 0991 000	1	CAVO BLOCCO FRENO	BREAK CABLE
29	146 0929 000	1	MARTINETTO CASSONE	HOPPER JACK MOTOR
30	146 0848 000	2	MICROINTERRUTTORE CASSONE	HOPPER MICROSWITCH
31	146 1042 000	1	TUBO IDRAULICO	HYDRAULIC HOSE
32	146 0840 000	1	FUSIBILE 150 A	FUSE 150 A
33#	L08812633	1	FUSIBILE RIPRISTINABILE 10A	CIRCUIT BREAKER 10A
34	146 0843 000	1	FUSIBILE RIPRISTINABILE 50A	CIRCUIT BREAKER 50A
35	145 9852 000	1	FUSIBILE 5 A	FUSE 5 A
36	146 0068 00	3	FUSIBILE 10 A	FUSE 10 A
37	146 0839 000	1	TELERUTTORE PRINCIPALE	PRIMARY ELECTROMAGNETIC SWITCH
38	145 0300 000	1	TELERUTTORE SPAZZOLA CENTRALE	CENTRAL BROOM ELECTROMAGNETIC SWITCH
39	145 3712 000	2	RELÉ POMPA IDRAULICA	PUMP ELECTROMAGNETIC SWITCH
40	146 1857 000	1	SCHEDA DISPLAY	DISPLAY CONTROL CARD
41	146 1721 000	1	SCHEDA DISPLAY	DISPLAY CONTROL CARD
43	145 6004 000	1	CHIAVE DI RICAMBIO	REPLACEMENT KEY

Resource notes:

POSITION 43 145 6004 000 REPLACED BY 146 2901 000 WHICH INCLUDES SWITCH KEY PLUS TWO KEYS

Pos.	Vare-nr	Antal	Beskrivelse	Notes
01	1463523000	1	Filter papir	
02	145 5927 000	2	Sideskørt	
03	146 1151 000	1	Sværtefrit skørt, bag	
04	146 1152 000	1	Sværtefrit skørt, for	
05	146 1018 000	1	Fejevalse standard	
06	146 1025 000	1	Sidekost standard	
07	146 1153 000	1	WEAR PACK STD MAIN/SIDE BROOMS/FILTER/S	[1]
08	146 1158 000	1	Pakning	
09	146 1159 000	2	Pakning Sr 1300	[2]
10	146 1160 000	1	Pakning Sr 1300	[2]
11	146 0882 000	1	Pakning Sr 1300	[1]
12	146 1147 000	1	Pakning	
13	145 2352 000	3	Tyre Rear	[3]
14	146 1013 000	1	Slange	[1]
15	146 1012 000	1	Rem	
16	146 0855 000	1	Rem	
17	146 2860 000	1	Cable Skirt Rais.Device Kit	[3]
18	1464433000	4	Brush Carbon Kit 4Pcs	
19	L08603949	4	Kul Kit 4 Stk	
20	145 5125 000	2	CARBON BRUSH	
21	145 1784 000	1	Kæde	
22	146 1114 000	2	Trækkæde Sr1300H	[2]
23	146 1039 000	1	Gearmotor højre	
24	1466506000	1	MICROSWITCH 10A 250V PKD	
25	1466506000	1	MICROSWITCH 10A 250V PKD	
26	1466168000	1	BOARD PEDAL CONTROL PKD	
27	1466167000	1	CONTROLLER DRIVE WHEEL PKD	
28	146 0991 000	1	CABLE	[2]
29	146 0929 000	1	Actuator 24V Sr 1300H	
30	1463568000	2	MICROSWITCH KIT	[2]
31	146 1042 000	1	HOSE HYDRAULIC 1/4 L.1000	[1]
32	146 0840 000	1	Sikring 150A Sr1300H	
33	L08812633	1	Fus 10 A	
34	146 0843 000	1	Sikring 50A	[1]
35	145 9852 000	1	Sikring 5A	
36	1467034000	3	FUSE BLADE 10A SIP	
37	146 0839 000	1	SWITCH ELECTROMAGNETIC 24V 120A	[2]
38	145 0300 000	1	Kontakt, 24V 120A	
39	145 3712 000	2	Relæ, 24V	
40	1466162000	1	CONTROLLER MAIN MACHINE W/HARNESS KIT	[1]
41	1466161000	1	CONTROLLER MAIN MACHINE KIT	
43	146 2901 000	1	Startnøgle	[2]

Part Notes:

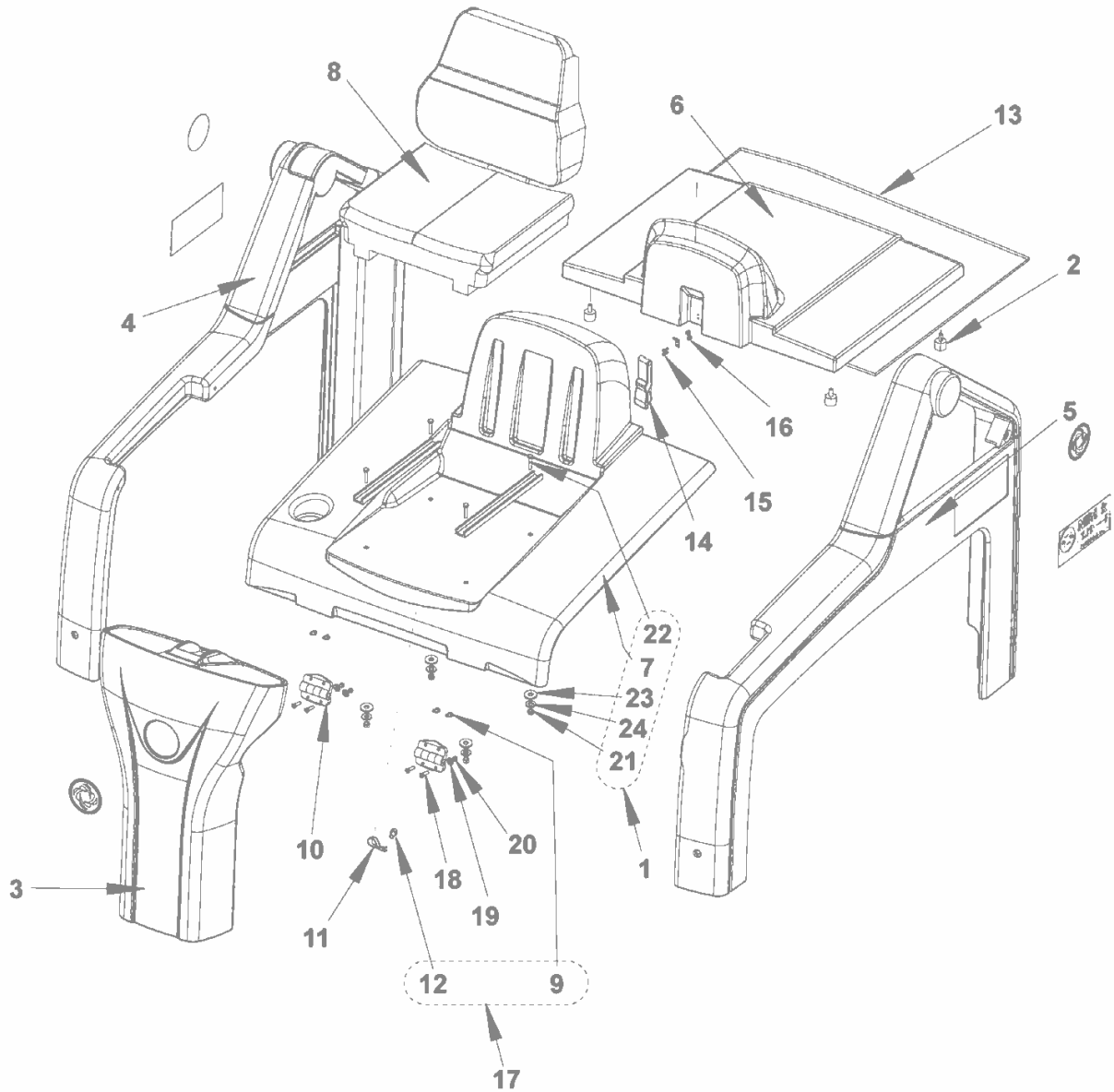
- [1] - GUARANTEE DATE EXPIRED
- [2] - STOCK COVERS GUARANTEE
- [3] - NO LONGER AVAILABLE

Pos	Codice	Q.tà	Descrizione	Description
Item	Ref. No.	Qty		
Bild	Art. Nr.	Menge		
Rép	Réf. No	Qté		
			ACCESSORI	OPTIONALS
44	146 1152 000	1	FLAP ANTERIORE ANTITRACCIA (GOMMA PARA-TIPO SPESSO)	NON-MARKING FRONT SKIRT (GUM RUBBER-HEAVY TYPE)
45	146 1151 000	1	FLAP POST. ANTITRACCIA (GOMMA PARA-TIPO SPESSO)	NON-MARKING REAR SKIRT (GUM RUBBER-HEAVY TYPE)
46	146 1150 000	2	FLAP LATERALE ANTITRACCIA (GOMMA PARA-TIPO SPESSO)	NON-MARKING SIDE SKIRT (GUM RUBBER-HEAVY TYPE)
47	145 6013 000	1	FILTRO IN POLIESTERE	POLYESTER FILTER
48	145 6135 000	1	SPAZZOLA CENTRALE (FIBRA NATURALE)	MAIN BROOM (NATURAL FIBER)
49	145 4963 000	1	SPAZZOLA CENTRALE (MISTO ACCIAIO)	MAIN BROOM (STEEL MIX)
50	146 1148 000	1	SPAZZOLA LATERALE (FIBRA NATURALE)	SIDE BRUSH (NATURAL FIBER)
51	146 1149 000	1	SPAZZOLA LATERALE (MISTO ACCIAIO)	SIDE BRUSH (STEEL MIX)
52	146 0329 000	1	RUOTA ANTITRACCIA ANTERIORE	NON MARKING FRONT SUPERELASTIC WHEEL
53	146 0330 000	2	RUOTE ANTITRACCIA POSTERIORE	NON MARKING REAR SUPERELASTIC WHEELS
54	146 6218 000	1	KIT FARO DI LAVORO	KIT WORKING LIGHT
55	146 2098 000	1	KIT GIROFARO PER TETTuccio	KIT LIGHT BEACON FOR OVER HEAD GUARD
56	146 1157 000	1	KIT GIROFARO	KIT LIGHT BEACON
57	146 1202 000	1	KIT FILTRO A SACCHE	CLOTH POCKET FILTER KIT
58	146 1153 000	1	KIT MATERIALE DI CONSUMO (SPAZZOLE CENTR/LATERALI/ FLAP/FILTRO STANDARD)	CONSUMABLES KIT (STD MAIN/SIDE BRUSHES, FILTER, FLAPS)
59	146 2093 000	1	KIT TETTuccio	KIT OVER HEAD GUARD

Pos.	Vare-nr	Antal	Beskrivelse	Notes
44	146 1152 000	1	Sværtefrit skørt, for	
45	146 1151 000	1	Sværtefrit skørt, bag	
46	146 1150 000	2	Sværtefrit skørt, side	
47	145 6013 000	1	Filter polyester antistatisk	
48	145 6135 000	1	Fejevalse til tæpper/naturfiber	[1]
49	145 4963 000	1	Fejevalse stålmix	
50	146 1148 000	1	Sidekost til tæpper/naturfiber	[1]
51	146 1149 000	1	Sidekost stålmix	
52	146 0329 000	1	Hjul, forest, sværtefri	
53	146 0330 000	2	Hjul, bagerst, sværtefri	[2]
54	146 6218 000	1		
55	146 2098 000	1	Advarselsblink til førerværn	[3]
56	146 2676 000	1	Rotorblink	[3]
57	146 2677 000	1	Filter polyester antistatisk	[3]
58	146 1153 000	1	WEAR PACK STD MAIN/SIDE BROOMS/FILTER/S	[4]
59	146 2674 000	1	Førerværn	[3]

Part Notes:

- [1] - PI 2015-001 TTY
- [2] - 2020 ACCESSORY PRUNING
- [3] - PRUNED ACCESSORY
- [4] - GUARANTEE DATE EXPIRED

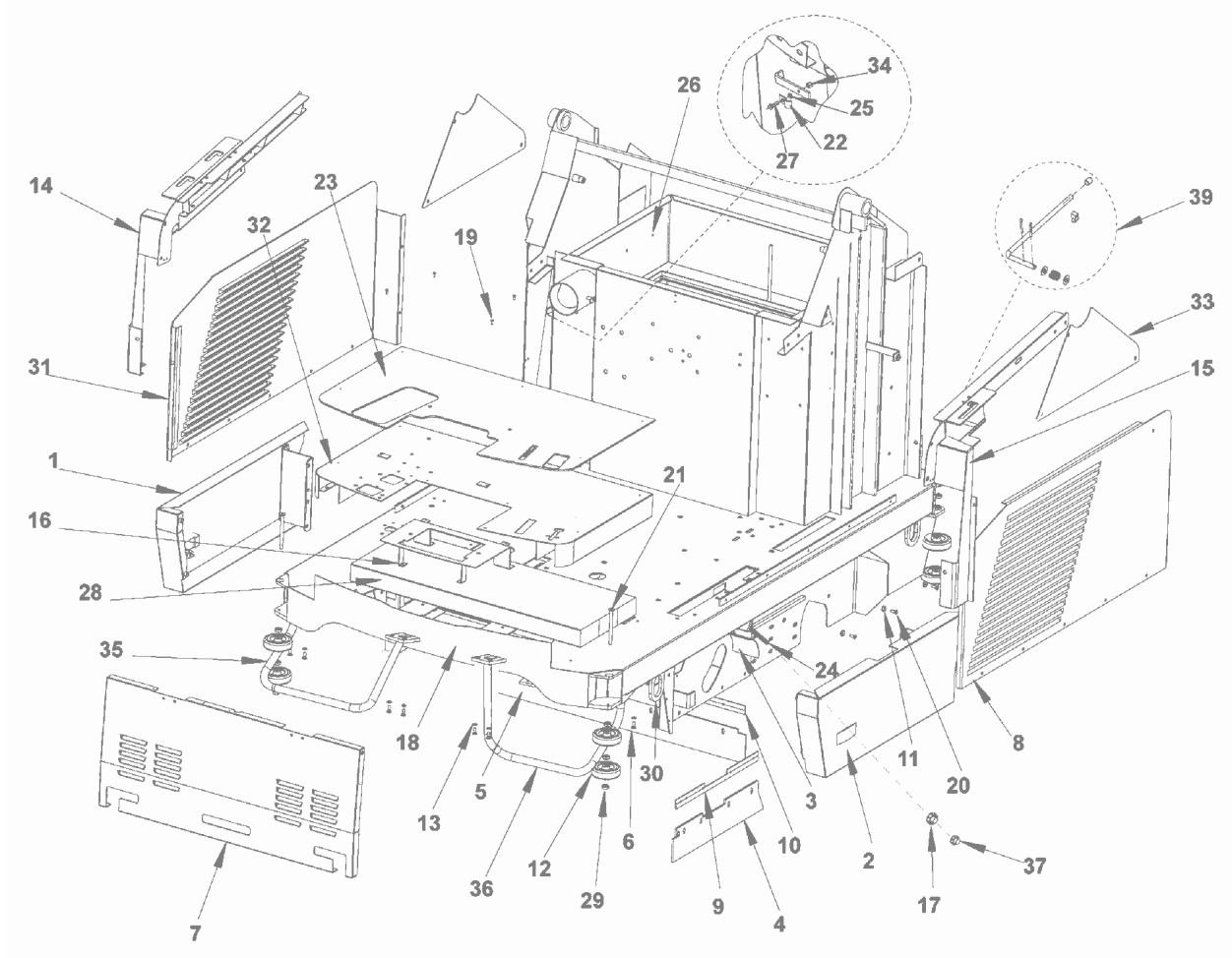


Resource notes:
Pos No.0=Not shown

Pos.	Vare-nr	Antal	Beskrivelse	Notes
00	146 1179 000	1	DECALS SR 1300H B KIT	[1]
01	146 2863 000	1	BONNET SEAT HOLDER KIT	[2]
02	146 0495 000	4	VIBRATION-DAMPING M6 65SH	[1]
03	1465970000	1	COVER FRONT GREY-DECALS NIL/ADV KIT	[2]
04	146 0917 000	1	Dæksel Højre Armlæn Sr 1300H B	[1]
05	146 0918 000	1	Cover Venstre	[1]
06	146 0916 000	1	BONNET REAR	[1]
07		1	SEAT HOLDER BONNET	[3]
08	145 5975 000	1	Seat	
09		8	SCREW M6X12	[4]
10	146 0928 000	2	Hinge	[1]
11	L08239900	1	CLAMP D.6 WHITE	
12		1	SCREW THD FORM	[5]
13	146 1147 000	1	Pakning	
14	146 1263 000	3	Latch	
15	33023197	6	NUT LOCK HEX M4 ISO7040 10 PCS SET	[6]
16	33023196	6	SCREW M4X12 HEX HD ISO4017 10 PCS SET	[1]
17	146 1184 000	1	HARDWARE ROTOM.ASSY KIT	[7]
19	1467686000	8	WASHER PLAIN M5X15 ISO7093 10 PCS SET	
20	33023194	8	NUT LOCK HEX M5 LOW ISO10511 10 PCS SET	
21		4	NUT M8	[8]
22		4	SCREW HEX THD	[9]
23		4	WASHER LARGE	[10]
24		4	WASHER	[11]

Part Notes:

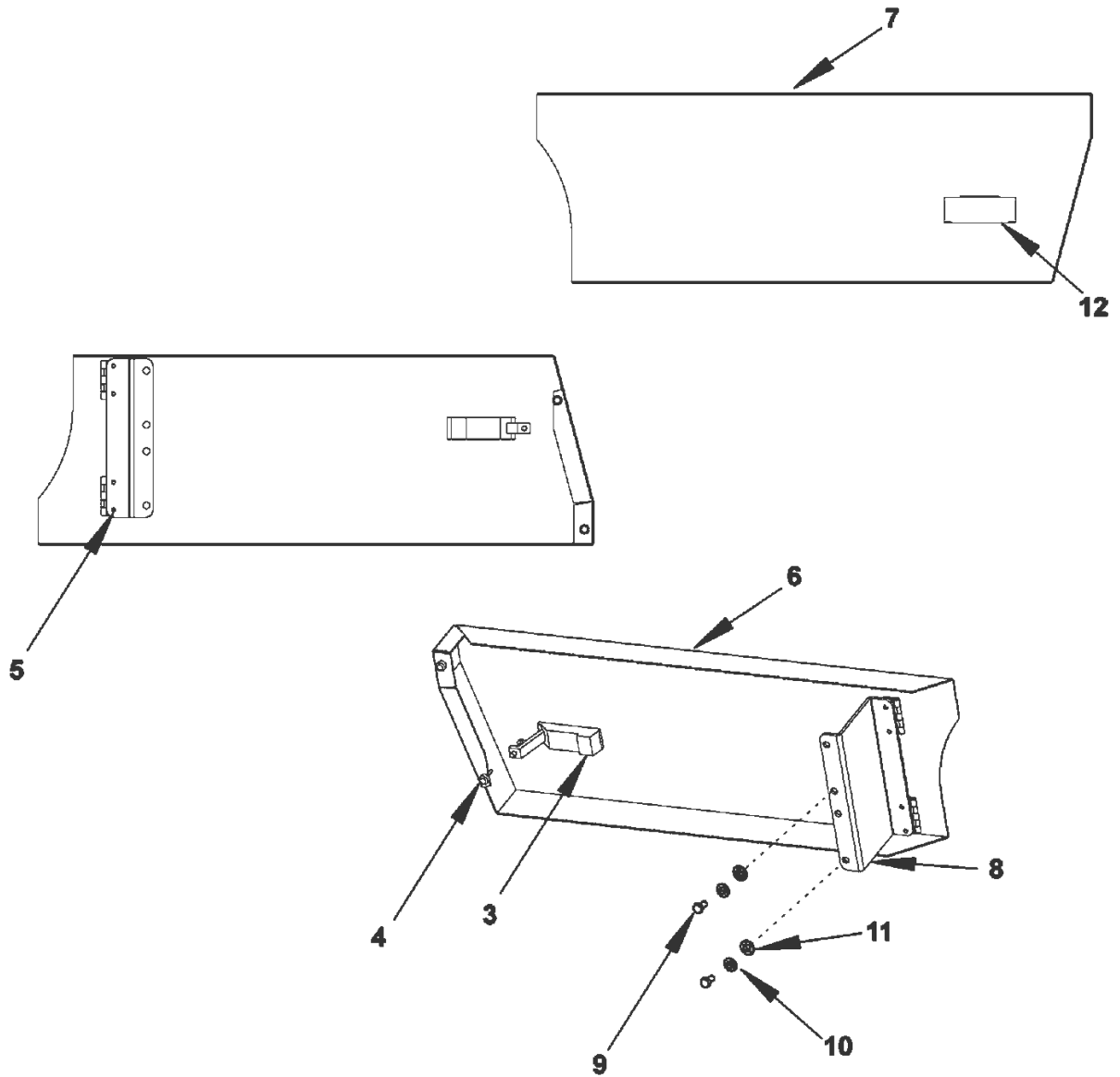
- [1] - GUARANTEE DATE EXPIRED
- [2] - SEE PI 2017-002
- [3] - SEAT HOLDER BONNET
- [4] - SCREW M6X12
- [5] - SCREW THD FORM
- [6] - NO LONGER AVAILABLE
- [7] - STOCK COVERS GUARANTEE
- [8] - NUT M8
- [9] - SCREW HEX THD
- [10] - WASHER LARGE
- [11] - WASHER



Pos.	Vare-nr	Antal	Beskrivelse	Notes
01	146 1180 000	1	Hatch Right Side Kit	[1]
02	146 1181 000	1	Haspe Venstre Side,Kit	[1]
03	146 1055 000	1	PROTECTION	[1]
04	146 1150 000	1	Sværefrit skørt, side	
04	145 5927 000	1	Sideskørt	
05	146 1151 000	1	Sværefrit skørt, bag	
06	33004364	8	SCREW M8X16 CAP HD HEX SOCK ISO4762	
07	146 0943 000	1	PANEL FRONT	[1]
08	146 0942 000	1	PANEL.LEFT SIDE	[1]
09	145 5929 000	1	Side Flap Plate	
10	145 4657 000	1	PLATE REAR SKIRT	[2]
11		11	WASHER	[3]
12	146 0945 000	8	Hjul Side Støddæmper	
13	33005842	8	Skive M8 UNI1751B	
14	146 0947 000	1	SUPPORT RIGHT	[1]
15	146 0948 000	1	SUPPORT LEFT	[1]
16	146 0946 000	1	SUPPORT	[2]
17	146 1037 000	1	Knob M10	
18	146 0836 000	1	CHASSIS	[1]
19		4	SCREW M4X12	[4]
20		11	SCREW	[5]
21		4	SCREW	[5]
22	L08812352	1	Clamp Ba450/530	[1]
23	146 0952 000	1	BOARD FOOT	[1]
24	146 1035 000	1	ROD THREADED M10X135MM DIN975	[1]
25	33005912	1	WASHER M5 UNI6592	
26	146 0958 000	2	BLOCK NYLON F LEVERS MOTION	[1]
27	33003962	1	SCREW M5X16 HEX HD F/THD ISO4017	
28	146 1195 000	1	WEIGHT	[6]
29		12	SPACER	[7]
30	146 2708 000	1	BRACKET	[1]
31	146 0955 000	1	PANEL RIGHT SIDE	[1]
32	146 0956 000	1	BOARD FOOT	[1]
33	146 0954 000	2	PROTECTION	[1]
34	33023194	1	NUT LOCK HEX M5 LOW ISO10511 10 PCS SET	
35	146 0944 000	1	Beskyttelsesbøjle Højre Side	[1]
36	146 1140 000	1	Protection,Side Broom	[1]
37	146 1036 000	1	Knob	
38	146 1185 000	1	HARDWARE CHASSIS KIT	[1]
39	146 2066 000	1	BAR SAFETY F BONNET	[1]

Part Notes:

- [1] - GUARANTEE DATE EXPIRED
- [2] - NO LONGER AVAILABLE
- [3] - WASHER
- [4] - SCREW M4X12
- [5] - SCREW
- [6] - SEE PI 2017-002
- [7] - SPACER



Resource notes:
Pos No.0=Not shown

Pos.	Vare-nr	Antal	Beskrivelse	Notes
01	146 1180 000	1	Hatch Right Side Kit	[1]
02	146 1181 000	1	Haspe Venstre Side,Kit	[1]
03		1	CLOSURE	[2]
04		4	PROTECTION	[3]
05		8	SCREW	[4]
06		1	RIGHT SIDE HATCH	[5]
07		1	LEFT SIDE HATCH	[6]
08		2	SUPPORT	[7]
09		4	SCREW	[4]
10		4	WASHER	[8]
11		4	WASHER	[8]
12		1	CLOSURE	[2]

Part Notes:

- [1] - GUARANTEE DATE EXPIRED
- [2] - CLOSURE
- [3] - PROTECTION
- [4] - SCREW
- [5] - RIGHT SIDE HATCH
- [6] - LEFT SIDE HATCH
- [7] - SUPPORT
- [8] - WASHER

