

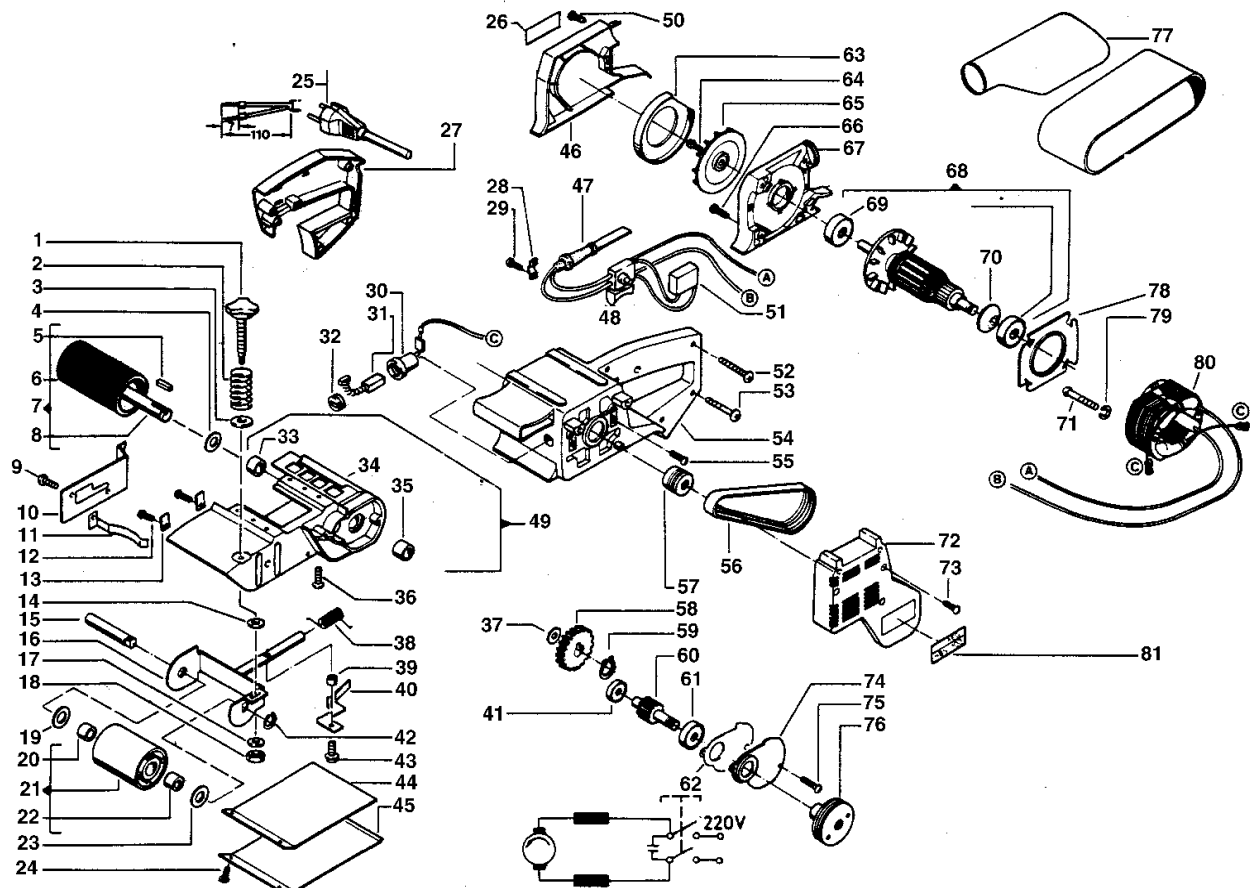
A & M Electric Tools

Belt Sanders

Ind	Product No.	Type	Voltage	Country
a	4935336590	HBS100	220V	IN2
b	4935336611	HBS100	220V	IN2

Ind	Product No.	Type	Voltage	Country

AEG		
HBS 100		
Exp.view No.	Version	Date
4926 3365 93	0000	
		Page
		1/2



Pos	Index	Quanti	Article No.	Designation
0001		1	4931336602	SCREW
0002		1	4931278729	SPRING
0003		1	4931278771	BACKING FLANGE
0004		1	4931278754	WASHER
0005		1	4931610418	SPRING
0006		1	4931278727	DRIVING ROLL
0007		1	4931278727	DRIVING ROLL
0008		1	4931278727	DRIVING ROLL
0009		1	4931278750	SCREW
0010		1	4931278734	PROTECTIVE CAP
0011		1	4931278699	SPRING
0012		1	4931278750	SCREW
0013		1	4931278735	GUIDE FOR SANDING
0014		1	4931615675	SEALING WASHER
0015		1	4931278736	STEERING ROLL.AXLE
0016		1	4931278737	STEERING ROLL.SUPP
0017		1	4931615865	SEALING WASHER
0018		1	4931621424	NUT
0019		1	4931278754	WASHER
0020		1	4931278756	BEARING SLEEVE
0021		1	4931278741	STEERING ROLLER
0022		1	4931278756	BEARING SLEEVE

Pos	Index	Quanti	Article No.	Designation
0023		1	4931278754	WASHER
0024		1	4931278750	SCREW
0025		1	4931623618	CONNECTION CABLE
0026 a.		1	4931336594	RATING PLATE
0026 b.		1	4931336613	RATING PLATE
0027		1	4931336599	HANDLE COVER
0028		1	4931278744	CABLE COLLAR
0029		1	4931278747	SCREW
0030		1	4931278726	BRUSH HOLDER
0031		1	4931278702	CARBON BRUSH
0032		1	4931278725	BRUSH HOLDER CAP
0033		1	4931278756	BEARING SLEEVE
0034		1	4931313796	ABSOLUTE UNIT
0035		1	4931278756	BEARING SLEEVE
0036		1	4931278772	SCREW
0037		1	4931278754	WASHER
0038		1	4931278738	SPRING
0039		1	4931278739	DISTANCE SLEEVE
0040		1	4931278740	CLAMPING LEVER
0041		1	4931912093	SLEEVE
0042		1	4931605142	RING
0043		1	4931278751	SCREW

Repairs/modification and testing of electric power tools are to be carried out by specialists. The safety regulations according to DIN/VDE/CEE/AFNOR and other regulations valid in the different countries are to be observed.

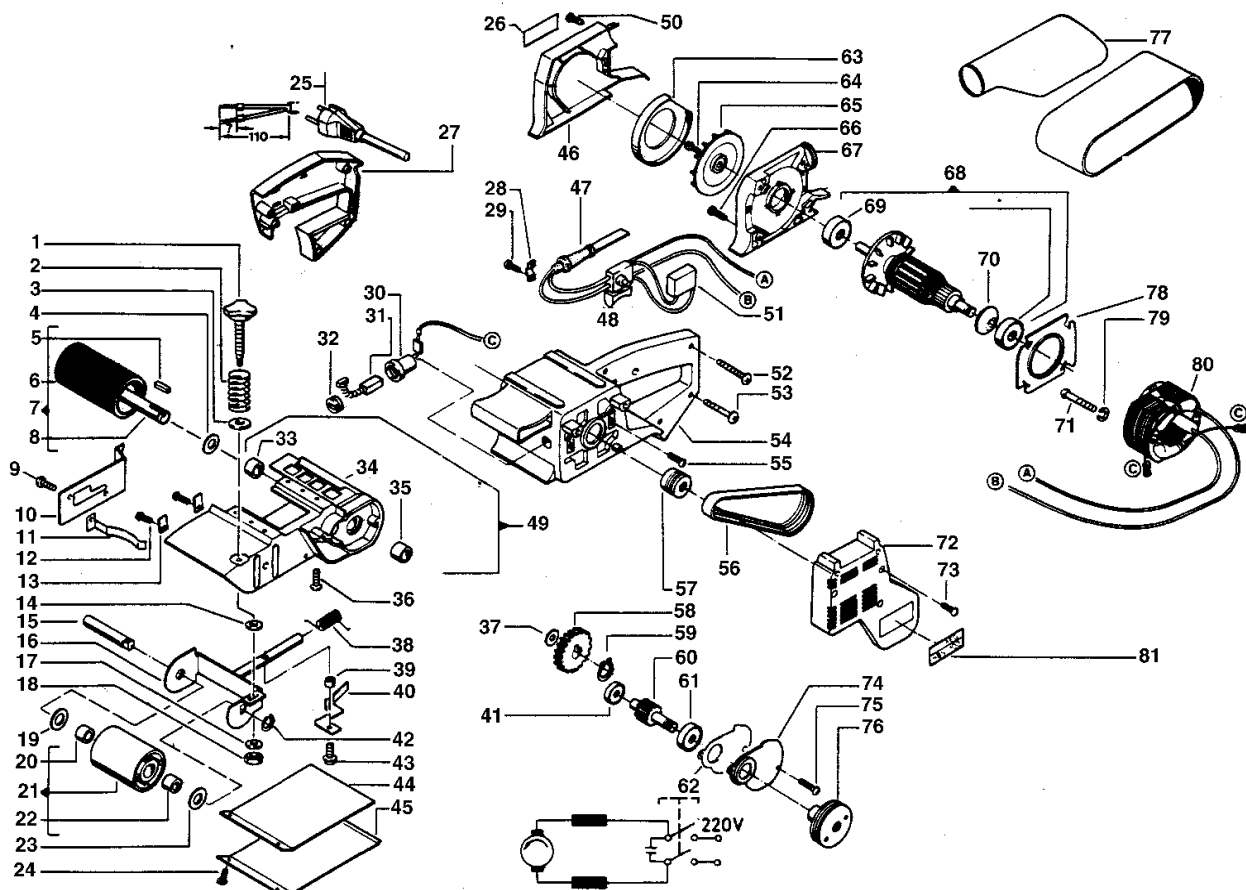
A & M Electric Tools

Belt Sanders

Ind	Product No.	Type	Voltage	Country
a	4935336590	HBS100	220V	IN2
b	4935336611	HBS100	220V	IN2

Ind	Product No.	Type	Voltage	Country

AEG		
HBS 100		
Exp.view No.	Version	Date
4926 3365 93	0000	
		Page
		2/2



Pos	Index	Quanti	Article No.	Designation	Pos	Index	Quanti	Article No.	Designation
0044		1	4931278742	SUPP.FOR SAND BELT	0064		1	4931278751	SCREW
0045		1	4931278743	SPRING	0065		1	4931278719	FAN
0046		1	4931336598	HOUSING COVER	0066		1	4931278760	SCREW
0047		1	4931278704	CABLE ENTRY SLEEVE	0067		1	4931278720	BEARING END PLATE
0048 a.		1	4931336601	SWITCH	0068		1	4931278689	ARMATURE
0048 b.		1	4931336601	SWITCH	0069		1	4931913855	BALL BEARING
0049		1	4931313796	ABSOLUTE UNIT	0070		1	4931278753	SEAL RING
0050		1	4931278745	SCREW	0071		1	4931278746	SCREW
0051		1	4931278701	INTERFERENCE SUPPR	0072		1	4931278707	HOUSING COVER
0052		1	4931278747	SCREW	0073		1	4931278749	SCREW
0053		1	4931278745	SCREW	0074		1	4931278732	GEAR BOX COVER
0054 a.		1	4931278705	HOUSING	0075		1	4931278750	SCREW
0054 b.		1	4931336614	HOUSING	0076		1	4931278733	PULLEY
0055		1	4931278748	SCREW	0077		1	4932336597	DUST BAG
0056		1	4931278724	TOOTHED BELT	0078		1	4931278721	AIR DEFLECTOR RING
0057		1	4931278723	PULLEY	0079		1	4931615407	SPRING WASHER
0058		1	4931278730	GEAR	0080		1	4931278688	ELECTRIC FIELD
0059		1	4931605142	RING	0081		1	4931355127	TYPE PLATE
0060		1	4931313801	PINION					
0061		1	4931918146	BALL BEARING					
0062		1	4931278770	GASKET					
0063		1	4931278709	AIR DEFLECTOR RING					

Repairs/modification and testing of electric power tools are to be carried out by specialists. The safety regulations according to DIN/VDE/CEE/AFNOR and other regulations valid in the different countries are to be observed.