

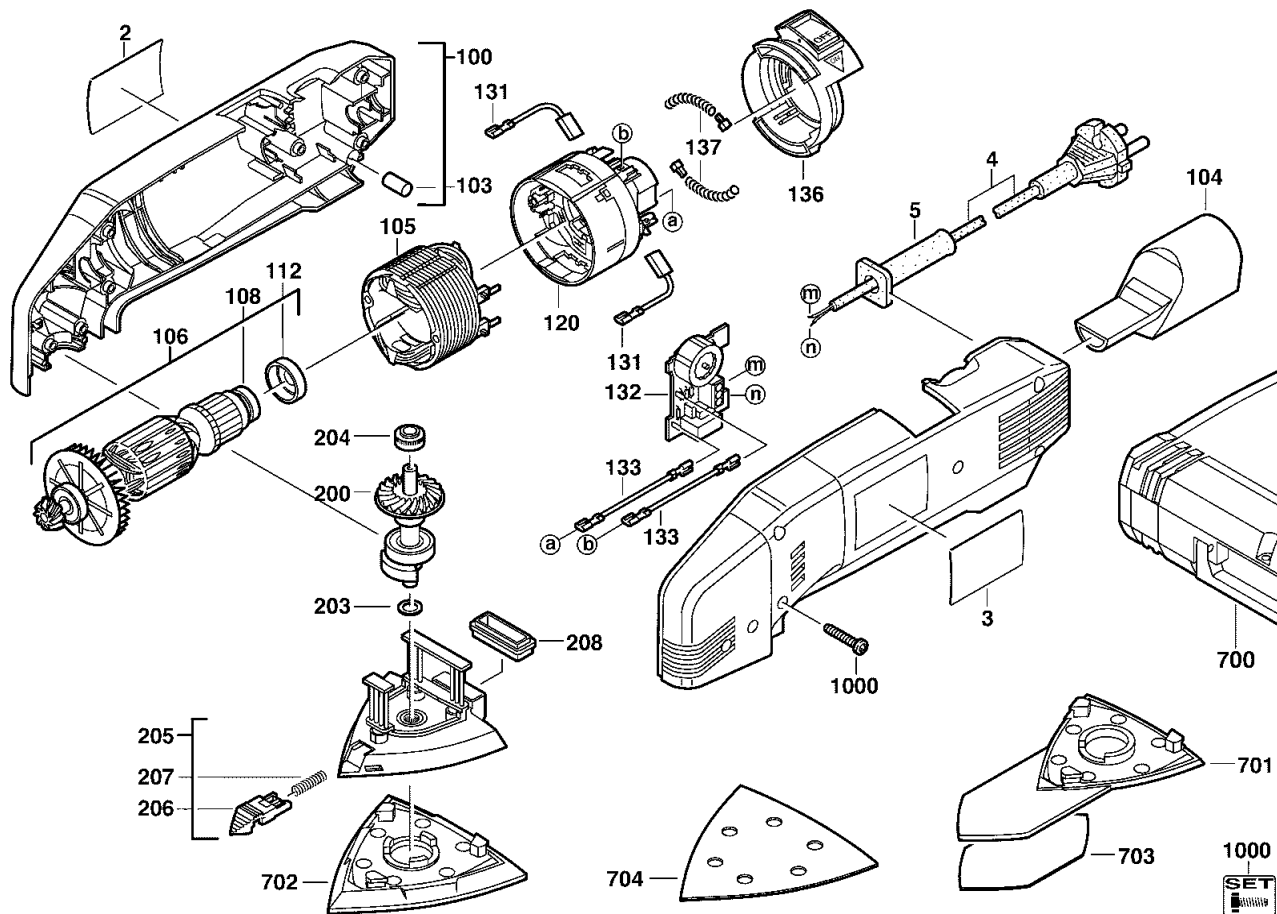
A & M Electric Tools

Orbital Sanders

Ind	Product No.	Type	Voltage	Country
a	4000358451	DSE220	230V	IN2
b	4000357422	DSE260	230-240V	IN2
c	4000357916	DSE260	230-240V	AUS

Ind	Product No.	Type	Voltage	Country

AEG			
DSE220			
DSE260			
Exp.view No.	Version	Date	Page
4926 3584 53	0005	21.08.02	1/1



Pos	Index	Quanti	Article No.	Designation	Pos	Index	Quanti	Article No.	Designation
0002	a.....	1	4931358524	RATING PLATE	0136	.bc.....	1	4931385693	SLEEVE
0002	.b.....	1	4931357423	RATING PLATE	0137	abc.....	1	4931358471	ADAPTER
0002	.c.....	1	4931357918	RATING PLATE	0200	abc.....	1	4931357445	SPINDLE
0003	a.....	1	4931355135	TYPE PLATE	0203	abc.....	1	4931358474	FELT WASHER
0003	.bc.....	1	4931355128	TYPE PLATE	0204	abc.....	1	4931358472	NEEDLE BEARING
0004	ab.....	1	4931623131	CONNECTION CABLE	0205	abc.....	1	4931358475	SUPPORTING PLATE
0004	.c.....	1	4931624331	CONNECTION CABLE	0206	abc.....	1	4931358476	SLIDE
0005	abc.....	1	4931358485	CABLE ENTRY SLEEVE	0207	abc.....	1	4931358477	PRESSURE SPRING
0100	a.....	1	4931358457	MOTOR HOUSING	0208	abc.....	1	4931358478	SEAL
0100	.bc.....	1	4931358457	MOTOR HOUSING	0700	a.....	1	4932373214	CARRYING CASE
0103	abc.....	1	4931358483	CLAMPING PIECE	0700	.bc.....	1	4932373214	CARRYING CASE
0104	abc.....	1	4931358481	SUCTION SLEEVE	0701	abc.....	1	4932358441	GRINDING DISK
0105	abc.....	1	4931358466	ELECTRIC FIELD	0702	abc.....	1	4932358439	GRINDING DISK
0106	a.....	1	4931357429	ARMATURE	0703	abc.....	1	4932358446	SAND PAPER PERFOR
0106	.bc.....	1	4931357429	ARMATURE	0704	abc.....	1	4932358444	SAND PAPER PERFOR
0108	abc.....	1	4931319402	BALL BEARING	1000	abc.....	1	4931358480	SCREW
0112	abc.....	1	4931358465	RUBBER SLEEVE					
0120	abc.....	1	4931358468	BEARING END PLATE					
0131	abc.....	1	4931392562	CARBON BRUSH SET					
0132	abc.....	1	4931358482	ELECTRONIC ELEMENT					
0133	abc.....	2	4931358484	WIRE					
0136	a.....	1	4931385693	SLEEVE					

Repairs/modification and testing of electric power tools are to be carried out by specialists. The safety regulations according to DIN/VDE/CEE/AFNOR and other regulations valid in the different countries are to be observed.