

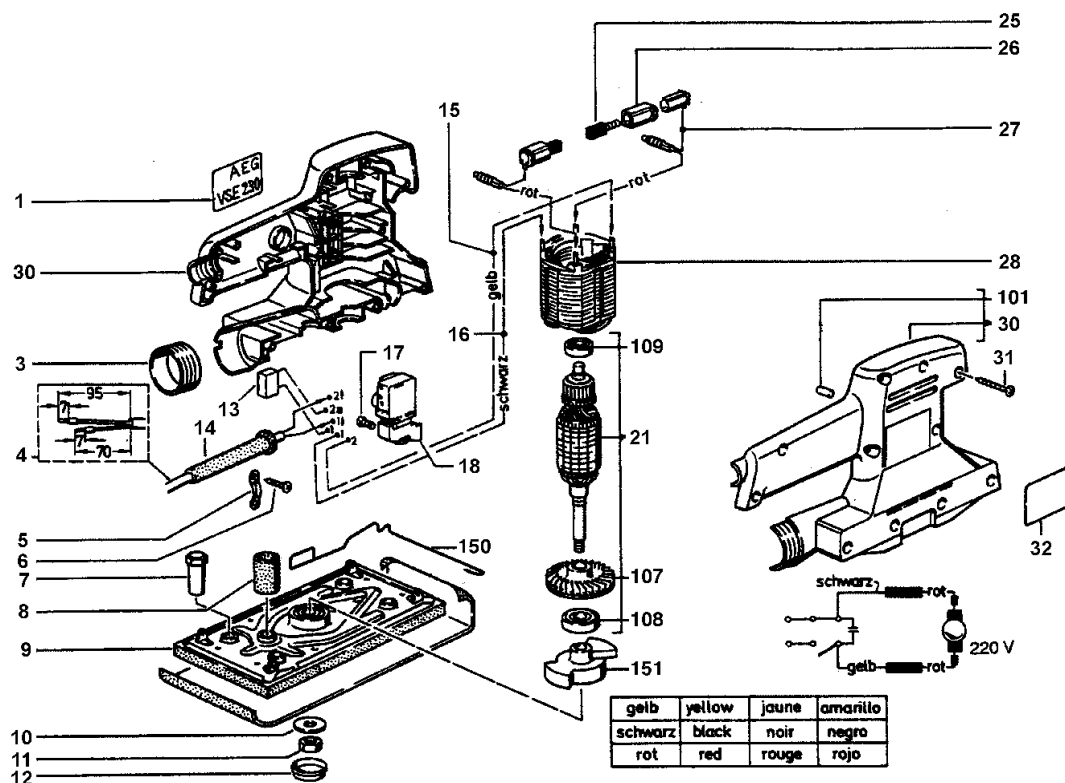
A & M Electric Tools

Orbital Sanders

Ind Product No. Type Voltage Country
 a 4000336246 VSE230 220-230V IN2

Ind Product No. Type Voltage Country

AEG
VSE 230
 Exp.view No. Version Date Page
4926 3362 48 0002 27.10.04 1/1



Pos	Index	Quanti	Article No.	Designation
0001	a.....	1	4931355128	TYPE PLATE
0003	a.....	1	4931308594	SEAL RING
0004	a.....	1	4931623131	CONNECTION CABLE
0005	a.....	1	4931256500	CABLE COLLAR
0006	a.....	2	4931624538	SCREW
0007	a.....	4	4931326570	RUBBER BUFFER
0008	a.....	1	4931326569	RUBBER SLEEVE
0009	a.....	1	4931326563	GROUND PLATE
0010	a.....	1	4931621679	DISC
0011	a.....	1	4931622652	NUT
0012	a.....	1	4931326888	PROTECTIVE CAP
0013	a.....	1	4931311062	CAPACITOR
0014	a.....	1	4931206687	CABLE ENTRY SLEEVE
0015	a.....	1	4931622371	WIRE
0016	a.....	1	4931253698	WIRE
0017	a.....	2	4931621772	SCREW
0018	a.....	1	4931334535	SWITCH
0021	a.....	1	4931326559	ARMATURE
0025	a.....	1	4931361733	CARBON BRUSH SET
0026	a.....	2	4931315039	BRUSH HOLDER
0027	a.....	2	4931622391	BRUSH HOLDER
0028	a.....	1	4931326558	ELECTRIC FIELD

Pos	Index	Quanti	Article No.	Designation
0030	a.....	1	4931336227	HOUSING
0031	a.....	11	4931618253	SCREW
0032	a.....	1	4931345308	RATING PLATE
0101	a.....	2	4931244948	HOLDING-DOWN DEVIC
0107	a.....	1	4931302487	FAN
0108	a.....	1	4931805312	BALL BEARING
0109	a.....	1	4931901253	BALL BEARING
0150	a.....	2	4931326567	YOKE
0151	a.....	1	4931326568	BALANCE WEIGHT

Repairs/modification and testing of electric power tools are to be carried out by specialists. The safety regulations according to DIN/VDE/CEE/AFNOR and other regulations valid in the different countries are to be observed.