

# A & M Electric Tools

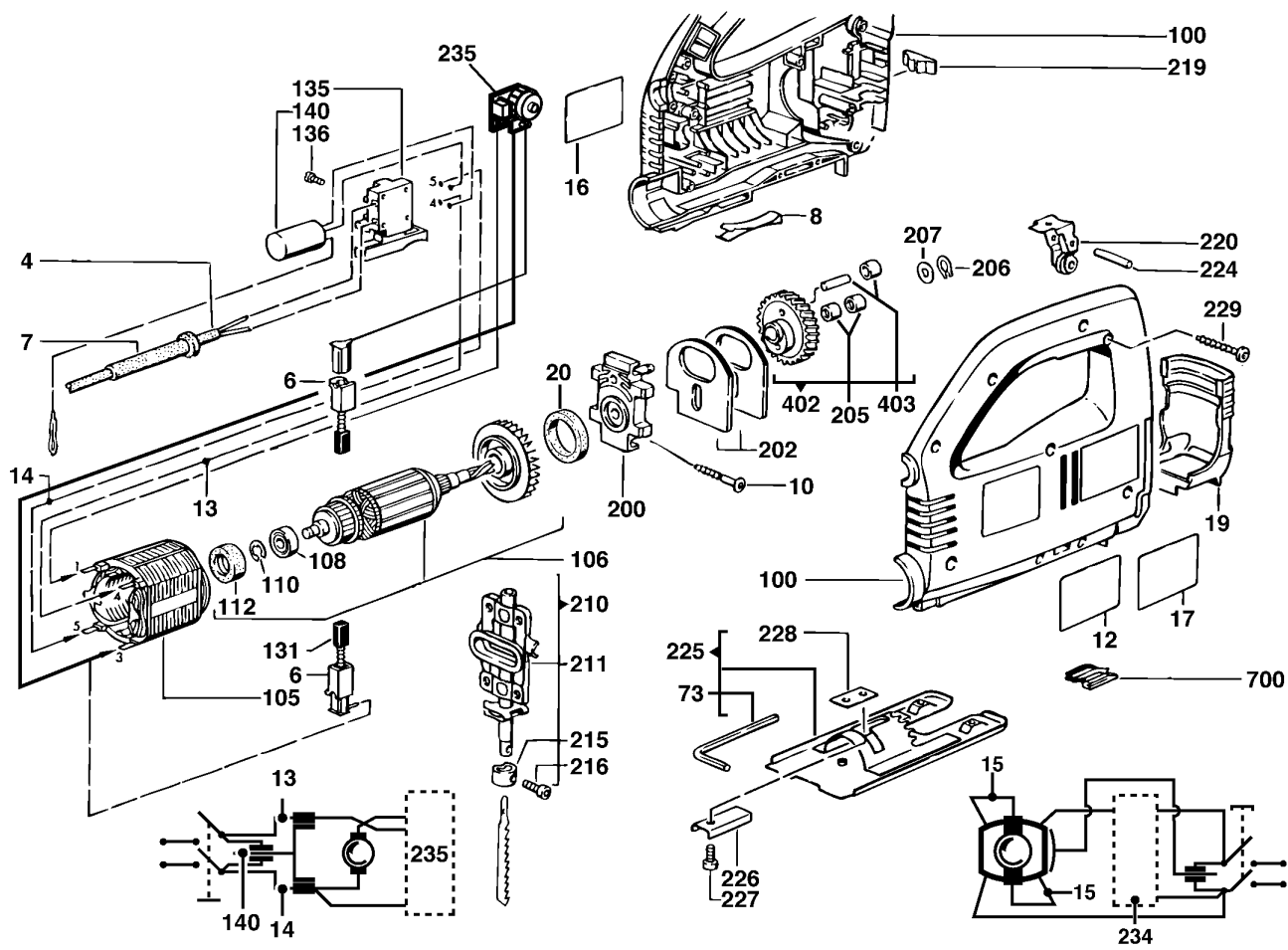
Ind	Product No.	Type	Voltage	Country
a	4000330091	STE500	220-240V	IN2
b	4000346015	STE500	240V	AUS
c	4000340839	STE500	240V	GB2
d	4000361089	STE500	220V	ROK
e	4000361915	STE500	240V	AUS
f	4000361998	STE500	220-240V	CHI

# Jig Saws

AEG

**STE 500**

Exp.view No.      Version    Date      Page  
**4926 3300 96    0009 12.08.02 1/2**



Pos	Index	Quanti	Article No.	Designation	Pos	Index	Quanti	Article No.	Designation
0004	a.....	1	4931623131	CONNECTION CABLE	0100	a..d.....	1	4931381316	HOUSING
0004	.b..e.....	1	4931624331	CONNECTION CABLE	0100	.bc.ef.....	1	4931330097	HOUSING
0004	..c.....	1	4931623820	CONNECTION CABLE	0105	a..def.....	1	4931365064	ELECTRIC FIELD
0004	...d.....	1	4931623015	CONNECTION CABLE	0105	.bc.....	1	4931365064	ELECTRIC FIELD
0004	....f.....	1	4931623901	CONNECTION CABLE	0106	abcdef.....	1	4931330636	ARMATURE
0006	abcdef.....	2	4931315039	BRUSH HOLDER	0108	abcdef.....	1	4931902888	BALL BEARING
0007	abcdef.....	1	4931206687	CABLE ENTRY SLEEVE	0110	abcdef.....	1	4931621834	WASHER
0008	abcdef.....	1	4931330304	SPRING	0112	abcdef.....	1	4931306351	RUBBER SLEEVE
0010	abcdef.....	2	4931622522	SCREW	0131	abcd.....	1	4931361733	CARBON BRUSH SET
0012	a.....	1	4931346049	RATING PLATE	0131	..ef.....	1	4931361733	CARBON BRUSH SET
0012	.b.....	1	4931346018	RATING PLATE	0135	abcdef.....	1	4931346770	SWITCH
0012	..c.....	1	4931340842	RATING PLATE	0136	abcdef.....	2	4931621772	SCREW
0012	...e.....	1	4931361917	RATING PLATE	0140	abcdef.....	1	4931271718	CAPACITOR
0012	....f.....	1	4931375000	RATING PLATE	0200	abcdef.....	1	4931330884	BEARING BRACKET
0013	abcd.f.....	1	4931253752	WIRE	0202	abcdef.....	2	4931330483	BALANCE WEIGHT
0014	abcd.f.....	1	4931622988	WIRE	0205	abcdef.....	2	4931219422	NEEDLE BEARING
0015	...e.....	2	4931301136	BRUSH HOLDER	0206	abcdef.....	1	4931605092	RING
0016	abcdef.....	1	4931355128	TYPE PLATE	0207	abcdef.....	1	4931621830	DISC
0017	abc.ef.....	1	4931330102	SAW TABLE	0210	abcdef.....	1	4931330853	RAM
0019	abcdef.....	1	4931330067	DUST CAP	0211	abcdef.....	1	4931330164	RAM
0020	abcdef.....	1	4931357000	FELT WASHER	0215	abcdef.....	1	4931300055	RAM COLLAR
0073	abcdef.....	1	4931606738	KEY	0216	abcdef.....	1	4931300699	SCREW

Repairs/modification and testing of electric power tools are to be carried out by specialists. The safety regulations according to DIN/VDE/CEE/AFNOR and other regulations valid in the different countries are to be observed.

