

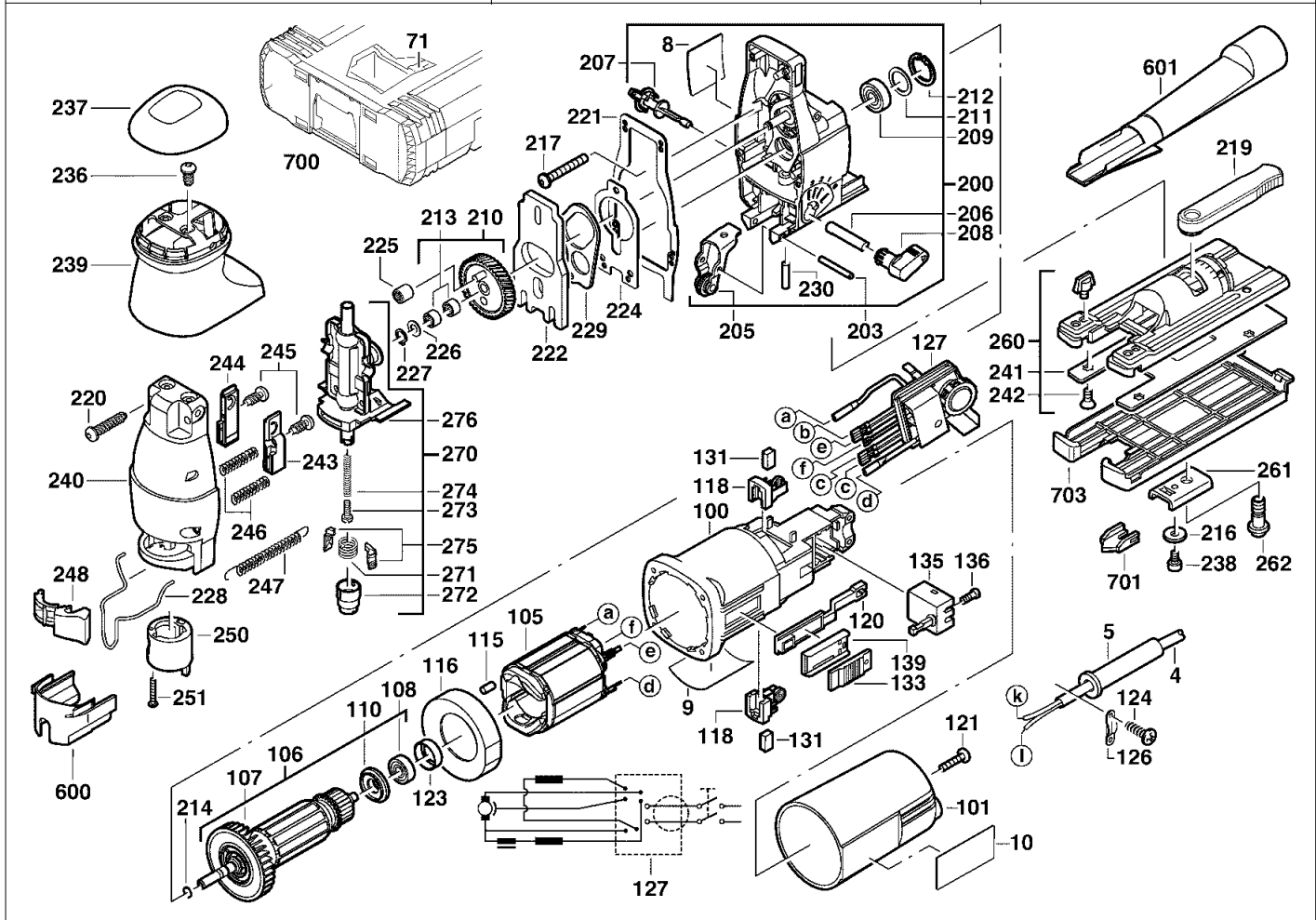
A & M Electric Tools

Jig Saws

Ind Product No.	Type	Voltage	Country
a 4000381174	STEP1200X	220-240V	IN2

Ind Product No.	Type	Voltage	Country

AEG		
STEP 1200 X		
Exp.view No.	Version	Date
4926 3811 75	0009	04.02.08
Page		
1/2		



Pos	Index	Quanti	Article No.	Designation	Pos	Index	Quanti	Article No.	Designation
0004	a.....	1	4931622896	CONNECTION CABLE	0131	a.....	1	4931392579	CARBON BRUSH SET
0005	a.....	1	4931206687	CABLE ENTRY SLEEVE	0133	a.....	1	4931330414	SWITCH COVER
0008	a.....	1	4931381113	SAW TABLE	0135	a.....	1	4931354918	SWITCH
0009	a.....	1	4931381178	RATING PLATE	0136	a.....	2	4931621734	SCREW
0010	a.....	1	4931355127	TYPE PLATE	0139	a.....	1	4931330413	SWITCH MOUNTING
0071	a.....	1	4931378505	INSERT	0200	a.....	1	4931357999	GEAR BOX
0100	a.....	1	4931335308	HOUSING	0203	a.....	1	4931621942	PIN
0101	a.....	1	4931335375	HOUSING CAP	0205	a.....	1	4931330051	HOLDER
0105	a.....	1	4931330156	ELECTRIC FIELD	0206	a.....	1	4931381103	INDEXING BOLT
0106	a.....	1	4931357997	ARMATURE	0207	a.....	1	4931381156	SWITCH
0107	a.....	1	4931302487	FAN	0208	a.....	1	4931378812	SWITCH HANDLE
0108	a.....	1	4931341740	GROOVED BALL BEAR.	0209	a.....	1	4931901253	BALL BEARING
0110	a.....	1	4931621853	DISC	0210	a.....	1	4931357515	GEAR
0115	a.....	2	4931271824	HOLDING-DOWN DEVIC	0211	a.....	1	4931803914	SEALING WASHER
0116	a.....	1	4931254961	AIR DEFLECTOR RING	0212	a.....	1	4931613683	LOCKING RING
0118	a.....	2	4931254922	BRUSH HOLDER	0213	a.....	2	4931219422	NEEDLE BEARING
0120	a.....	1	4931330439	GUIDE PIECE	0214	a.....	1	4931621828	LOCKING RING
0121	a.....	1	4931621798	SCREW	0216	a.....	1	4931622131	DISC
0123	a.....	1	4931254368	RUBBER SLEEVE	0217	a.....	4	4931623019	SCREW
0124	a.....	2	4931624538	SCREW	0219	a.....	1	4931381610	TENSION LEVER
0126	a.....	1	4931256500	CABLE COLLAR	0220	a.....	4	4931623020	SCREW
0127	a.....	1	4931336088	ELECTRONIC ELEMENT	0221	a.....	1	4931381656	SEAL

Repairs/modification and testing of electric power tools are to be carried out by specialists. The safety regulations according to DIN/VDE/CEE/AFNOR and other regulations valid in the different countries are to be observed.

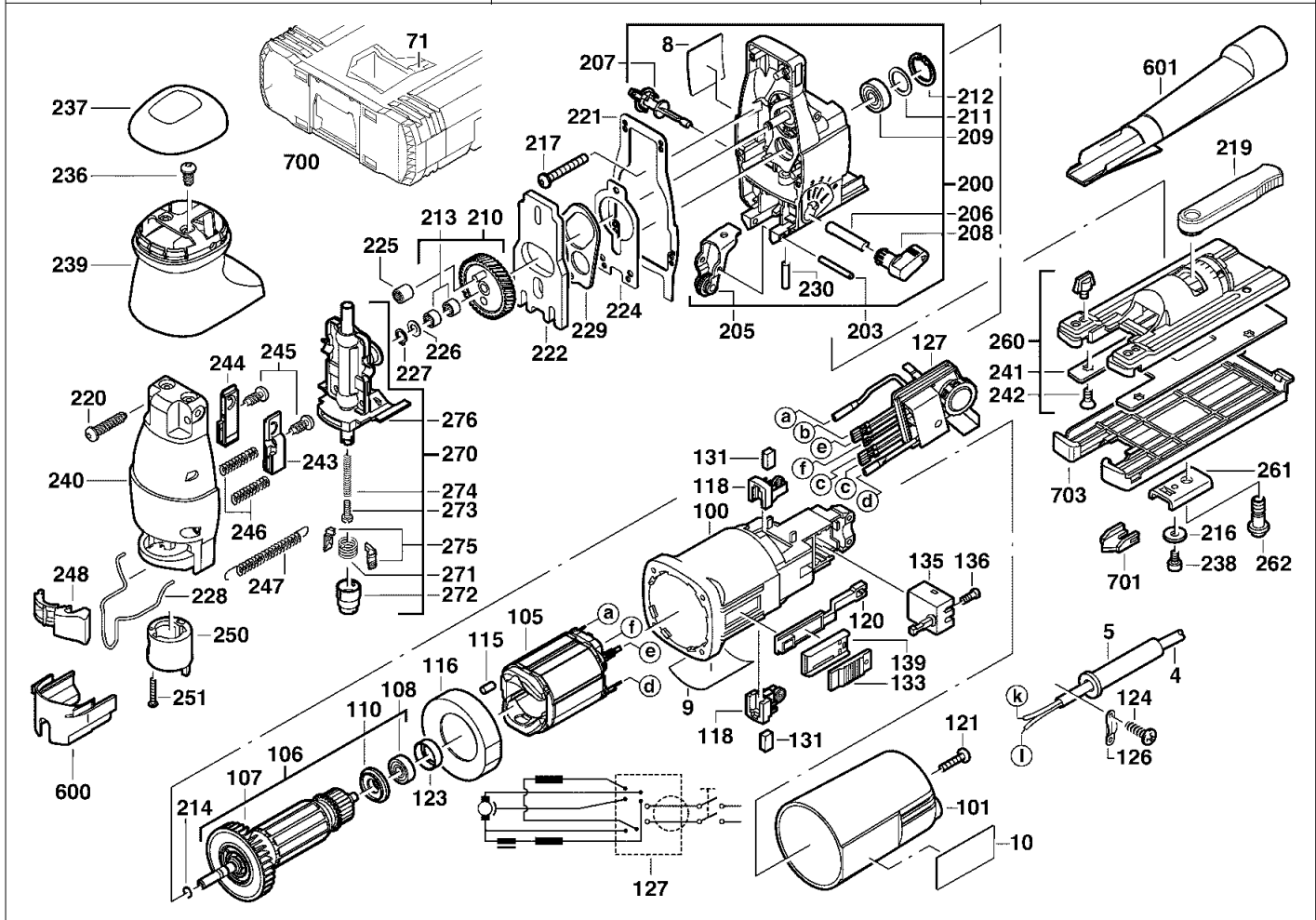
A & M Electric Tools

Jig Saws

Ind Product No.	Type	Voltage	Country
a 4000381174	STEP1200X	220-240V	IN2

Ind Product No.	Type	Voltage	Country

AEG		
STEP 1200 X		
Exp.view No.	Version	Date
4926 3811 75	0009	04.02.08
		Page
		2/2



Pos	Index	Quanti	Article No.	Designation	Pos	Index	Quanti	Article No.	Designation
0222	a.....	1	4931381109	BALANCE WEIGHT	0251	a.....	1	4931624172	SCREW
0224	a.....	1	4931357577	SHIM	0260	a.....	1	4931381622	GROUND PLATE
0225	a.....	1	4931361376	NEEDLE BUSH	0261	a.....	1	4931357588	THRUST PIECE
0226	a.....	1	4931621830	DISC	0262	a.....	1	4931381124	SCREW
0227	a.....	1	4931605092	RING	0270	a.....	1	4931357693	RAM
0228	a.....	1	4931357982	WIRE STRAP	0271	a.....	1	4931330424	TORSION SPRING
0229	a.....	1	4931357522	ROCKER BAR	0272	a.....	1	4931330494	COLLET
0230	a.....	1	4931381112	CYLINDER PIN	0273	a.....	1	4931623102	SCREW
0236	a.....	2	4931623048	SCREW	0274	a.....	1	4931357686	PRESSURE SPRING
0237	a.....	1	4931330272	BALL LID	0275	a.....	2	4931330303	CENTERING JAW
0238	a.....	1	4931300699	SCREW	0276	a.....	1	4931623091	SEAL RING
0239	a.....	1	4931330271	KNOB HANDLE	0600	a.....	1	4931357987	DUST CAP
0240	a.....	1	4931381000	GEAR BOX COVER	0601	a.....	1	4931357983	SUCTION SLEEVE
0241	a.....	1	4931357605	SLIDE PLATE	0700	a.....	1	4932373214	CARRYING CASE
0242	a.....	4	4931310396	SCREW	0701	a.....	1	4932357682	ANT-CHIPPING DEVICE
0243	a.....	1	4931357986	SLIDE BEARING	0703	a.....	1	4932357881	GUIDE SHOE
0244	a.....	1	4931357985	SLIDE BEARING					
0245	a.....	2	4931317532	SCREW					
0246	a.....	2	4931341759	PRESSURE SPRING					
0247	a.....	1	4931330453	TENSION SPRING					
0248	a.....	1	4931357981	SWITCH LEVER					
0250	a.....	1	4931357980	INDEXING SLEEVE					

Repairs/modification and testing of electric power tools are to be carried out by specialists. The safety regulations according to DIN/VDE/CEE/AFNOR and other regulations valid in the different countries are to be observed.