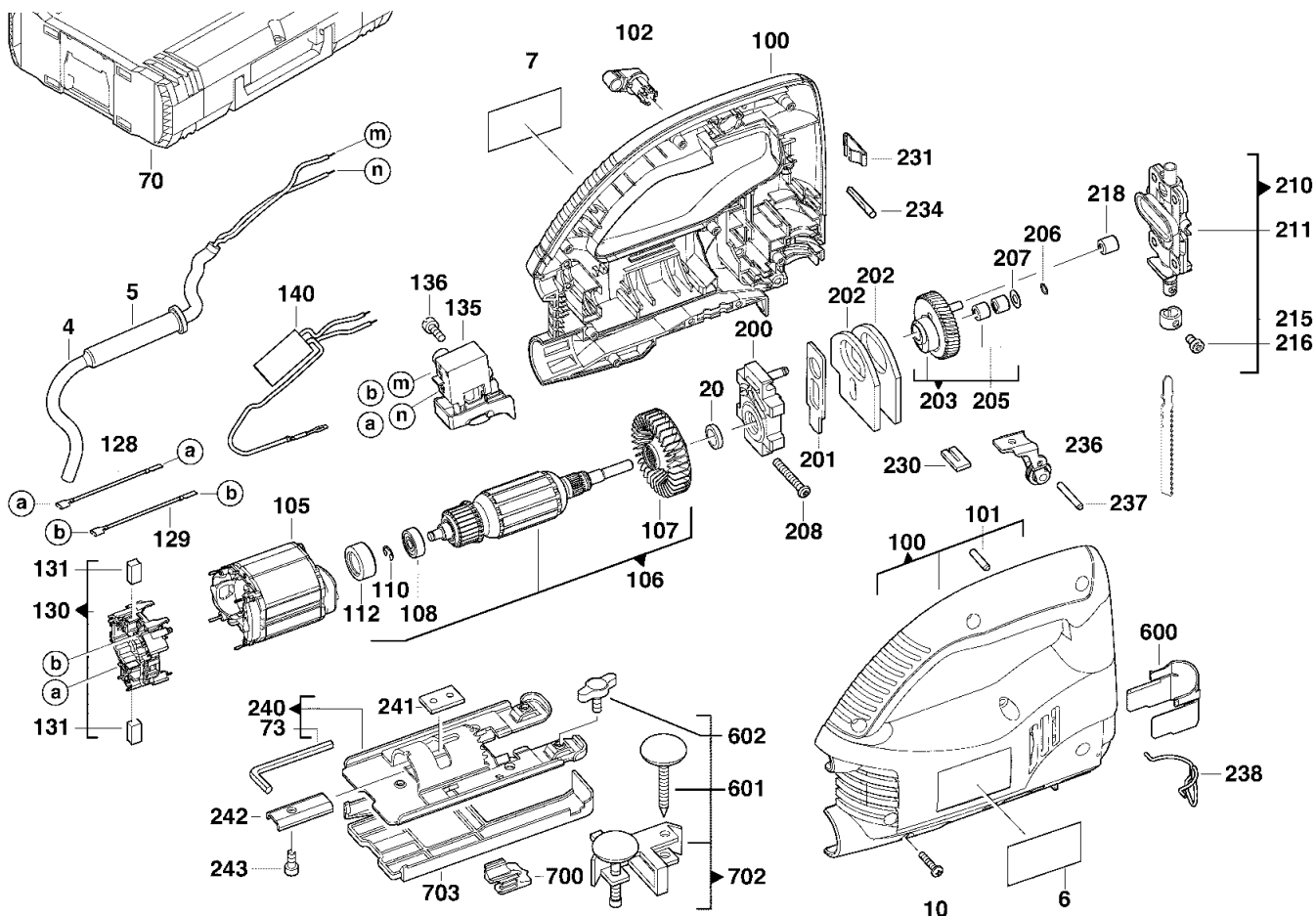


A & M Electric Tools

Ind	Product No.	Type	Voltage	Country
a	4000357951	STEP75	220-240V	IN2
b	4000381136	STEP75	220-240V	AUS
d	4000385291	STEP75	220V	ROK

Jig Saws

Ind	Product No.	Type	Voltage	Country
AEG				
STEP 75				
Exp.view No.	Version	Date	Page	
4926 3579 54	0010	19.10.04	1/2	



Pos	Index	Quanti	Article No.	Designation	Pos	Index	Quanti	Article No.	Designation
0004	a.d.....	1	4931623015	CONNECTION CABLE	0130	abd.....	1	4931381019	BRUSH MODULE
0004	.b.....	1	4931624331	CONNECTION CABLE	0131	abd.....	1	4931392597	CARBON BRUSH SET
0005	abd.....	1	4931206687	CABLE ENTRY SLEEVE	0135	ab.....	1	4931381104	SWITCH BOARD
0006	a.....	1	4931357953	RATING PLATE	0135	.d.....	1	4931357192	SWITCH
0006	.b.....	1	4931381137	RATING PLATE	0136	abd.....	2	4931621772	SCREW
0007	ab.....	1	4931355128	TYPE PLATE	0140	abd.....	1	4931271718	CAPACITOR
0007	.d.....	1	4931355128	TYPE PLATE	0200	abd.....	1	4931330884	BEARING BRACKET
0010	abd.....	9	4931618253	SCREW	0201	abd.....	1	4931330048	ROCKER BAR
0020	abd.....	1	4931357000	FELT WASHER	0202	abd.....	2	4931330483	BALANCE WEIGHT
0070	abd.....	1	4932373214	CARRYING CASE	0203	abd.....	1	4931381025	GEAR
0073	abd.....	1	4931606738	KEY	0205	abd.....	2	4931219422	NEEDLE BEARING
0100	abd.....	1	4931357886	BODY	0206	abd.....	1	4931605092	RING
0101	abd.....	1	4931271824	HOLDING-DOWN DEVIC	0207	abd.....	1	4931621830	DISC
0102	abd.....	1	4931378812	SWITCH HANDLE	0208	abd.....	2	4931622522	SCREW
0105	abd.....	1	4931368335	ELECTRIC FIELD	0210	abd.....	1	4931330853	RAM
0106	abd.....	1	4931357889	ARMATURE	0211	abd.....	1	4931330164	RAM
0107	abd.....	1	4931372559	FAN	0215	abd.....	1	4931300055	RAM COLLAR
0108	abd.....	1	4931902888	BALL BEARING	0216	abd.....	1	4931300699	SCREW
0110	abd.....	1	4931621834	WASHER	0218	abd.....	1	4931361376	NEEDLE BUSH
0112	abd.....	1	4931306351	RUBBER SLEEVE	0230	abd.....	1	4931330136	FELT PACKING
0128	abd.....	1	4931623729	WIRE	0231	abd.....	1	4931330474	PLATE SPRING
0129	abd.....	1	4931253752	WIRE	0234	abd.....	1	4931381103	INDEXING BOLT

Repairs/modification and testing of electric power tools are to be carried out by specialists. The safety regulations according to DIN/VDE/CEE/AFNOR and other regulations valid in the different countries are to be observed.

A & M Electric Tools

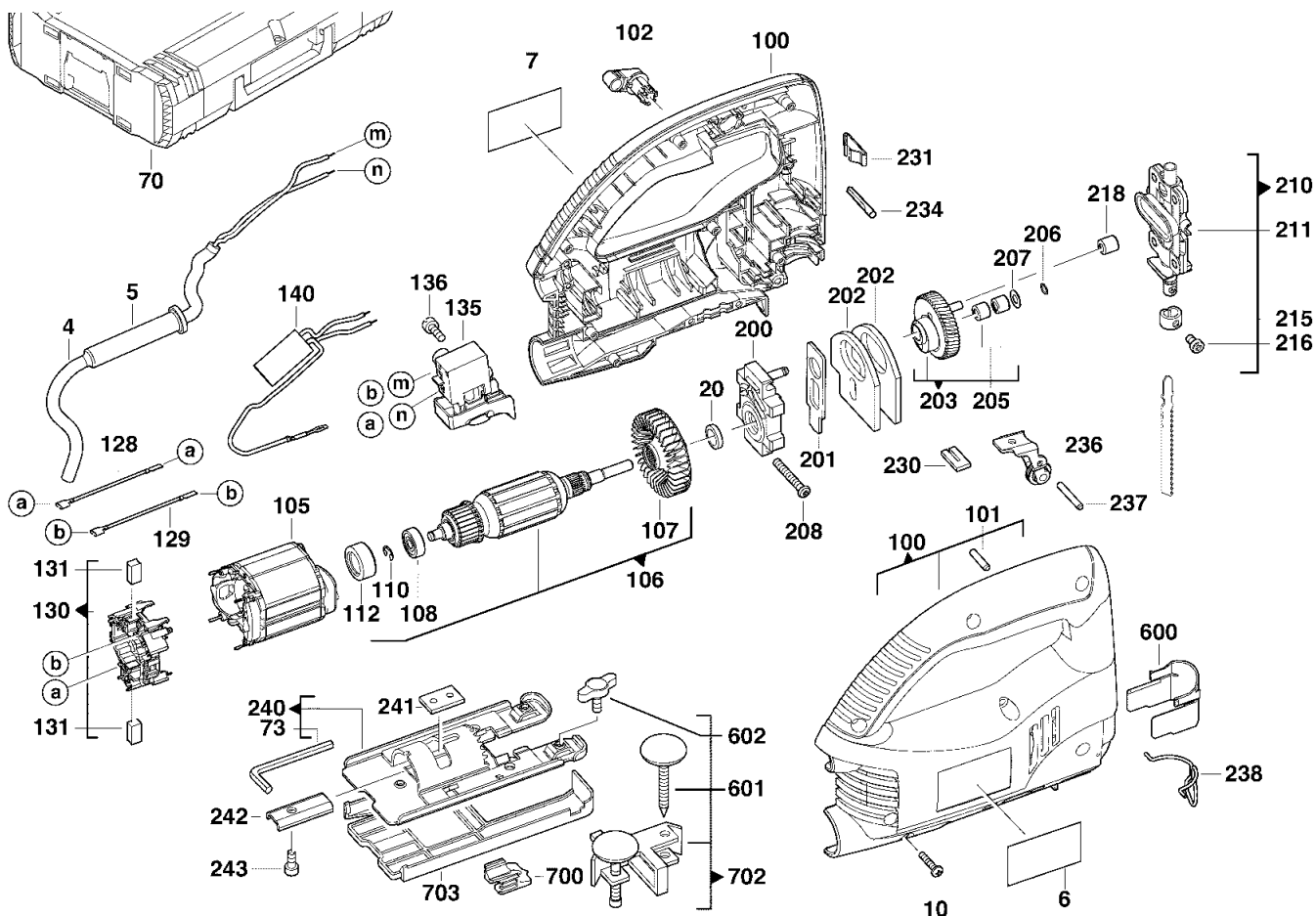
Ind	Product No.	Type	Voltage	Country
a	4000357951	STEP75	220-240V	IN2
b	4000381136	STEP75	220-240V	AUS
d	4000385291	STEP75	220V	ROK

Jig Saws

AEG

STEP 75

Exp.view No. Version Date Page
4926 3579 54 0010 19.10.04 2/2



Pos	Index	Quanti	Article No.	Designation
0236	abd.....	1	4931330051	HOLDER
0237	abd.....	1	4931621888	PIN
0238	abd.....	1	4931357903	WIRE STRAP
0240	abd.....	1	4931375233	GROUND PLATE
0241	abd.....	1	4931330130	NUT
0242	abd.....	1	4931300395	THRUST PIECE
0243	abd.....	1	4931606842	SCREW
0600	abd.....	1	4931357904	DUST CAP
0601	a.....	1	4932272817	CIRCULAR GUIDE
0602	a.....	1	4931316174	SCREW
0700	abd.....	1	4932354367	ANTI-CHIPPING DEVI.
0702	a.....	1	4932300420	CIRC./PARALL.GUIDE
0703	a.....	1	4932367734	GLIDING SHOE

Pos	Index	Quanti	Article No.	Designation
-----	-------	--------	-------------	-------------