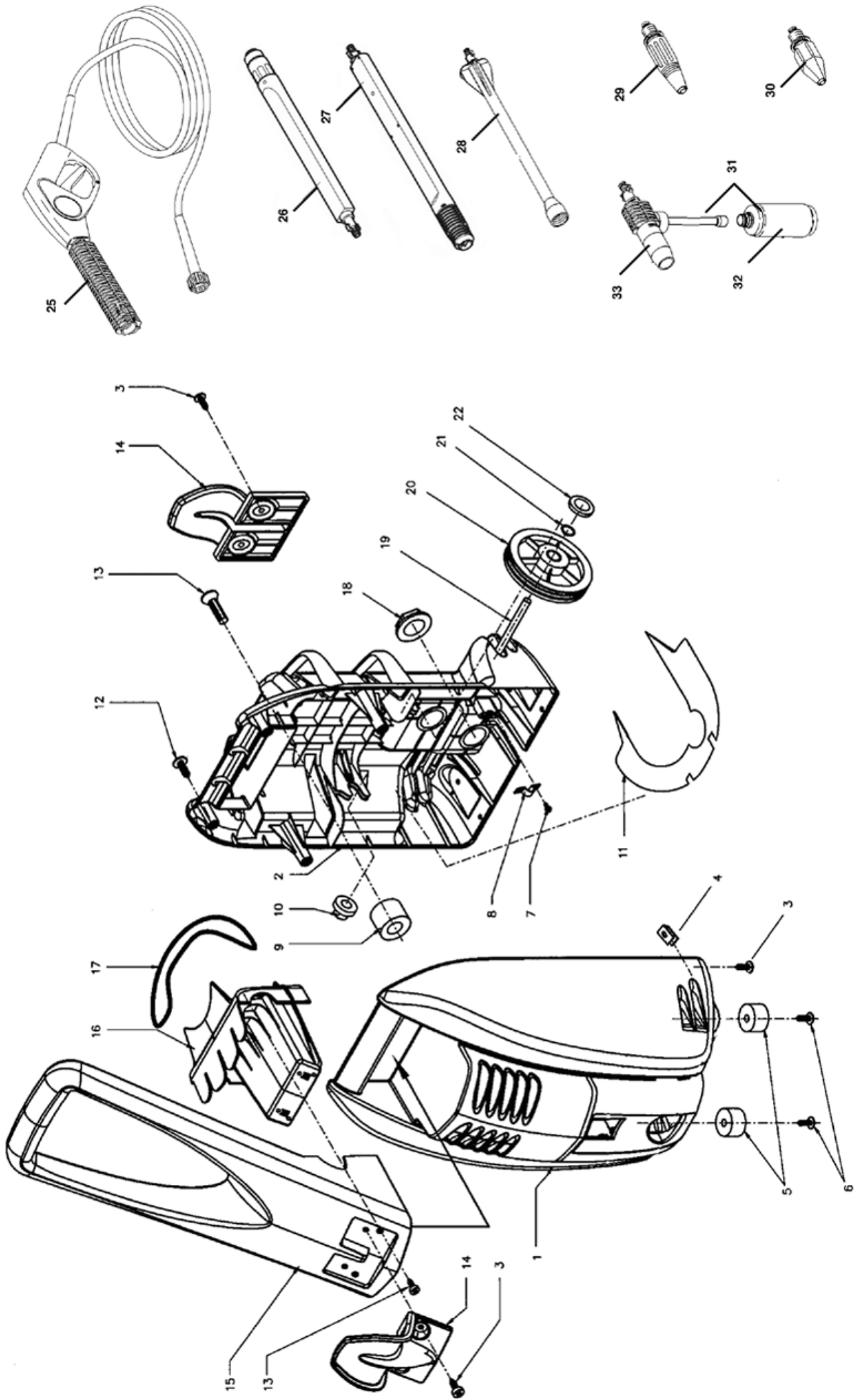

Crown

Reservedelsliste
Spare parts list
Ersatzteilliste
Liste de pièces détachées

Karosse / Body / Karosserie / Carrosserie	2
Motor / Motor / Motor / Moteur	5
Pumpe / Pump / Pumpe / Pomp	8

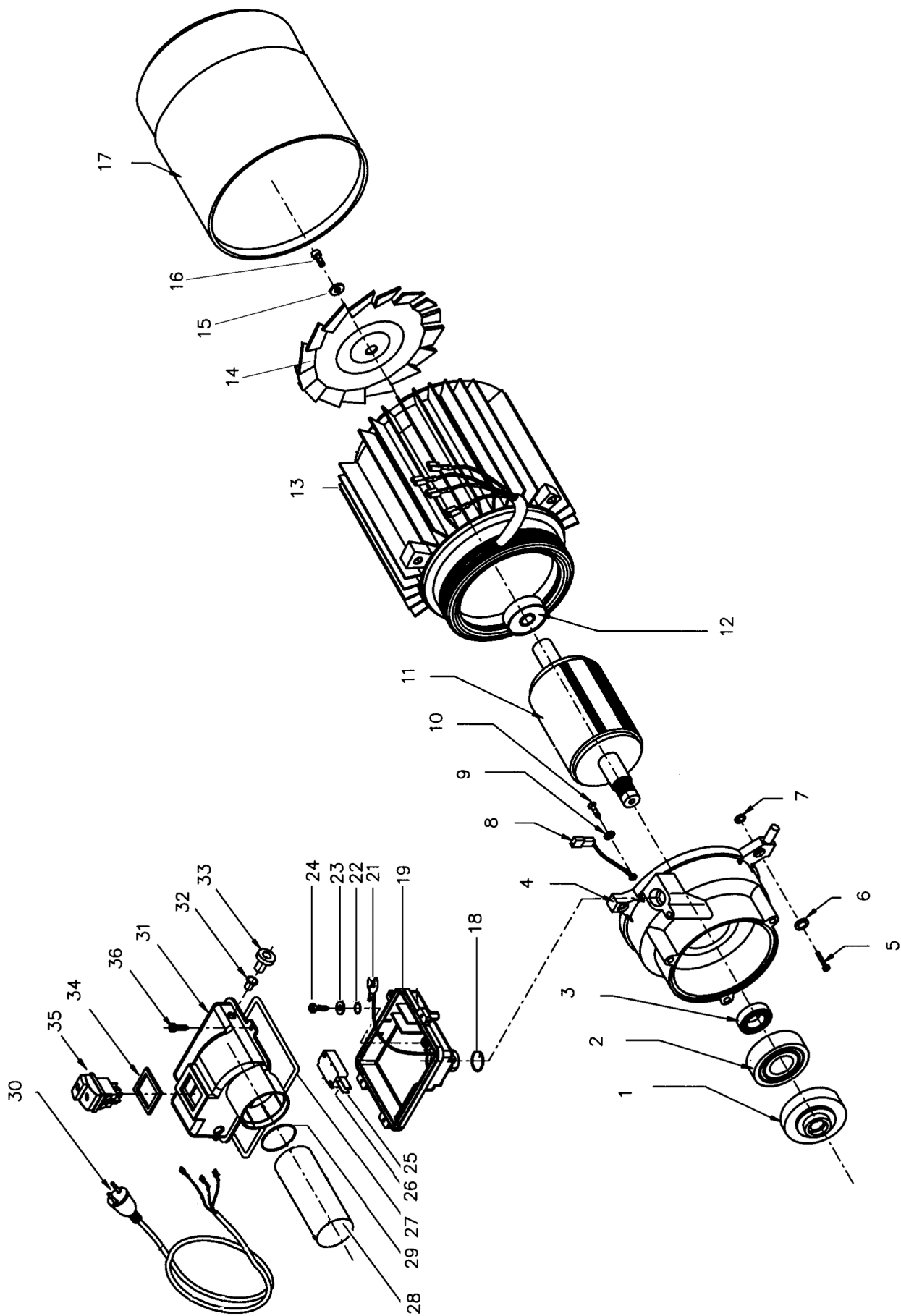


Karosseri / Body / Karosserie / Carrosserie

Pos.	Ref. no.	Bezeichnung Description	Bezeichnung Description	Crown
01	06401350	KAROSSE GRØN BODY GREEN	CARROSSE VERT	1
02	06401353	RAMME, CROWN FRAME, CROWN	CADRE, CROWN	1
03	06401348	SKRUE, 4,X22 SCREW, 4,X22	VIS, 4,X22	6
04	06401349	CLIPS CLIPS	ATTACHE	2
05	06401347	GUMMIFOD RUBBER FOOT	PIED EN CAOUTCHOUC	2
09	06401351	GUMMIRING RUBBER RING	ANNEAU DE CAOUTCHOUC	1
10	06401352	BØSNING SLEEVE	DOUILLE	2
11	06401397	AFDÆKNING COVERING DISC	VIS DE COUVERTURE	1
12	06401354	SKRUE, 5X20 SCREW, 5X20	VIS, 5X20	6
14	06401355	SLANGE/KABEL HOLDER, 52931400 HOSE - CABEL REEL, 52931400	TUYAU - SUPPORT DE CABLE, 52931400	2
15	06401392	HANDTAG HANDLE	POIGNÉE	1
16	06401393	HOLDER CLAMP	BRIDE	1
17	06401394	STROP STRAP	PATTE	1
18	06401356	LÅSEMØTRIK, 3/4 LOCK NUT, 3/4	CLIQUET D'ARRÊT, 3/4	1
19	06401395	HJULAKSEL WHEEL AXLE	ARBRE DE ROUE	1
20	06401396	HJUL, Ø150 WHEEL, Ø150	ROUE DE CROWN	2
21	06401398	LÅSERING LOCKING RING	JOINT D'ARRÊT	4
22	06401391	NAVKAPSEL HUB CAP	ENJOLIVEUR	2
23	06301922	TRANSFER "GERNI" TRANSFERS "GERNI"	AUTOCOLLANT "GERNI"	1
25	06401399	PISTOL M.HØJTRYKSSLANGE HIGH PRESSURE HOSE WITH PISTOL	FLEXIBLE HAUTE PRESSION AVEC PISTOLET-	1
26	06401400	LANSE M VARIABEL SPREDELYSE LANCE W. ADJUSTABLE NOZZLE	LANCE DE BUSE VARIABLE	1
27	06401401	ROTOJET LANSE, CROWN ROTOJET LANCE, CROWN	LANCE DE ROTO JET, CROWN	1

Karosseri / Body / Karosserie / Carrosserie

Pos.	Ref. no.	Bezeichnung Description	Bezeichnung Description	Crown
28	06401426	LANSERØR LANCE	LANCE POUR D LUX	1
29	06401419	VARIABLE DYSE ADJUSTABLE NOZZLE	BUSE A JET VARIABLE-	1
30	06401418	ROTO JET ROTO JET	ROTO JET LANCE-	1
31	06401403	SKUMSPRAYER FOAM SPRAYER	LANCE A MOUSSE-	1
32	06401402	FLASKE, 0,4 L BOTTLE, 0,4 L	BOUTEILLE, 0,4 L	1
33	06401431	SKUM-LANSE FOAM LANCE	LANCE A MOUSSE	1



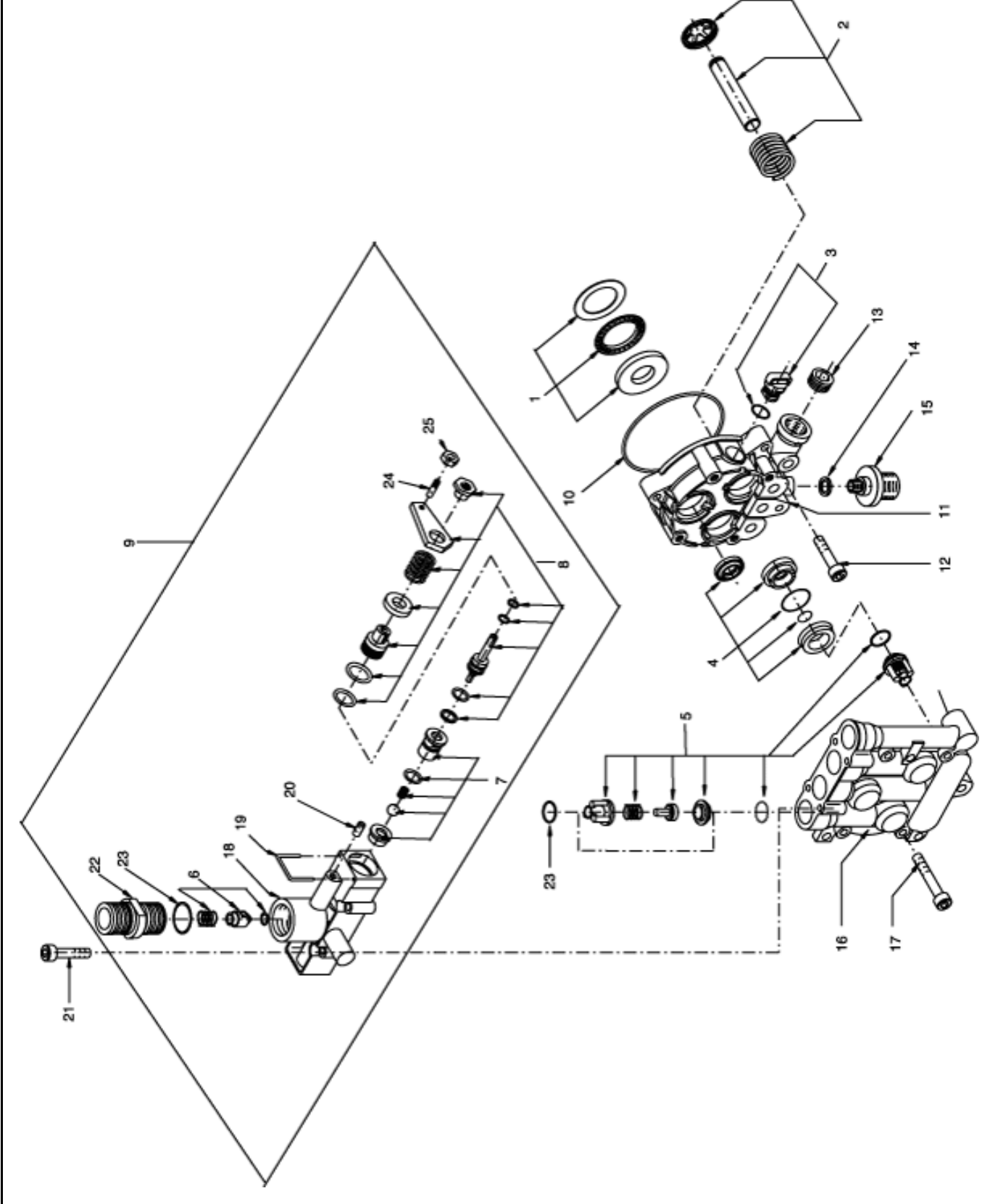
Motor / Motor / Moteur

Pos.	Ref. no.	Betegnelse Description	Bezeichnung Description	Crown
01	06401377	SKRÅSKIVE CAM DISC	DISQUE INCLINÉ	1
02	06401378	KUGLELEJE BALL BEARING	BUTEE	1
03	06401379	O-RING, 15X42X5 O-RING, 15X42X5	JOINT TORIQUE, 15X42X5	1
04	06401380	MOTORFLANGE MOTOR FLANGE	BRIDE DE MOTEUR	1
08	06401381	JORDLEDNING EARTH WIRE	FIL TERRE	1
11	06401382	ROTOR I/AKSEL ROTOR WITH AXLE	ROTOR A. ARBRE	1
12	06401386	KUGLELEJE BALL BEARING	BUTEE	1
13	06401383	STATORHUS M. STATOR , 230V - 50HZ STATOR HOUSING W. STATOR, 230V - 50HZ	CORPS DE STATOR A/STATOR, 230V - 50HZ	1
14	06401384	VENTILATORVINGE FAN BLADE	AILETTE SOUFFLANTE	1
17	06401385	VENTILATORDEKSEL FAN COVER	COUVERCLE DE SOUFFLANTE	1
18	06401364	O-RING, Ø19X2 O-RING, Ø19X2	JOINT TORIQUE, Ø19X2	1
19	06401363	ELKASSEBUND BOTTOM FOR ELECTRIC BOX	FOND DE BOITE ELECTRIQUE	1
25	06401369	FOLIE MIKROSWITCH TRANSFER MICRO SWITCH	AUTOCOLLANT MICRO-RUPTEUR	1
26	06401367	MICROSWITCH MICRO SWITCH	MICRO-RUPTEUR	1
27	06401365	PAKNING GASKET	JOINT	1
28	06401368	KONDENSATOR, 20 ÁF CAPASITOR, 20 µF	CONDENSATEUR, 20 ÁF	1
29	06401366	O-RING, Ø37,82X1,78 O-RING, Ø37,82X1,78	JOINT TORIQUE, Ø37,82X1,78	1
30	06401357	ELKABEL INCL. STIK , SCHUKO ELECTRIC CABLE INCL. PLUG, SCHUKO	CABLE ELEC. PRISE INCLUSE , SCHUKO	1
30	06401414	ELKABEL INCL. STIK , UK ELECTRIC CABLE INCL. PLUG, UK	CABLE ELEC. PRISE INCLUSE , UK	1
30	06401415	ELKABEL INCL. STIK , AU ELECTRIC CABLE INCL. PLUG, AU	CABLE ELEC. PRISE INCLUSE , AU	1
31	06401360	ELKASSELÖG COVER FOR ELECTRIC BOX	COUVERCLE DE BOITE ELECTRIQUE	1
32	06401362	GENNEMFØRING GROMMET	TRAVERSEE	1

Motor / Motor / Motor / Moteur

Pos.	Ref. no.	Betegnelse Description	Bezeichnung Description	Crown
33	06401361	ADAPTER FOR MICROSWITCH ADAPTOR FOR MICRO SWITCH	ADAPTEUR MICRO-RUPTEUR	1
34	06401359	PAKNING GASKET	JOINT	1
35	06401358	AFBRYDER SWITCH	INTERRUPTEUR	1

Pumpe / Pump / Pumpe / Pomp



Pumpe / Pump / Pumpe / Pomp

Pos.	Ref. no.	Betegnelse Description	Bezeichnung Description	Crown
01	06401404	SKRÅSKIVELEJE KIT CAM DISC BEARING KIT	KIT DE BUTEE DE DISQUE	1
02	06401409	STEMPEL KIT, STAL PISTON KIT, STEEL	KIT DE PISTON, INOX	1
03	06401407	OLIEAFTAPNINGSPROP KPL. DRAIN PLUG CPL.	CAPUCHON P. VIDANGE GAS-OIL CPL.	1
04	06401406	MANCHET KIT, 425 CUP KIT, 425	KIT DE COUPELLE, 425	1
05	06401405	VENTILKIT VALVE KIT	KIT DE VANNE	1
07	06401408	INDSATS FOR BRYDEVENTIL KIT INSERT FOR VALVE KIT	KIP INTERIEUR P. VANNE	1
08	06401411	BRYDEVENTILKIT KPL. VALVE KIT CPL.	KIT DE VANNE CPL.	1
09	06401412	TRYKMANIFOLD, KPL. PRESSURE MANIFOLD, CPL.	COLLECTEUR DE PRESSION, CPL.	1
10	06401376	O-RING, Ø80,6X2,62 NBR 70 O-RING, Ø80,6X2,62 NBR 70	JOINT TORIQUE, Ø80,6X2,62 NBR 70	1
11	06401390	PUMPEHUS PUMP HOUSING	CORPS DE POMPE	1
13	06401387	BLÆNDPROP, 3/8" HOLE PLUG, 3/8"	CACHE-PRISE, 3/8"	1
14	06401388	KOBBERSKIVE COPPER DISC	DISQUE EN CUIVRE	1
15	06401389	SUGESTUDS SUCTION SOCKET	RACCORD D'ASPIRATION	1
16	06401375	TOPSTYKKE CYLINDER HEAD	CULASSE DE CYLINDRE	1
18	06401370	MANIFOLD MANIFOLD	COLLECTEUR	1
19	06401371	LÅSEBØJLE LOCK FITTINGS	GARNITURE DE SERRURE	1
20	06401372	SKRUE, M6X8 SCREW, M6X8	VIS, M6X8	1
22	06401373	NIPPEL NIPPLE	RACCORD	1
23	06401374	O-RING, Ø15X2 O-RING, Ø15X2	JOINT TORIQUE, Ø15X2	4