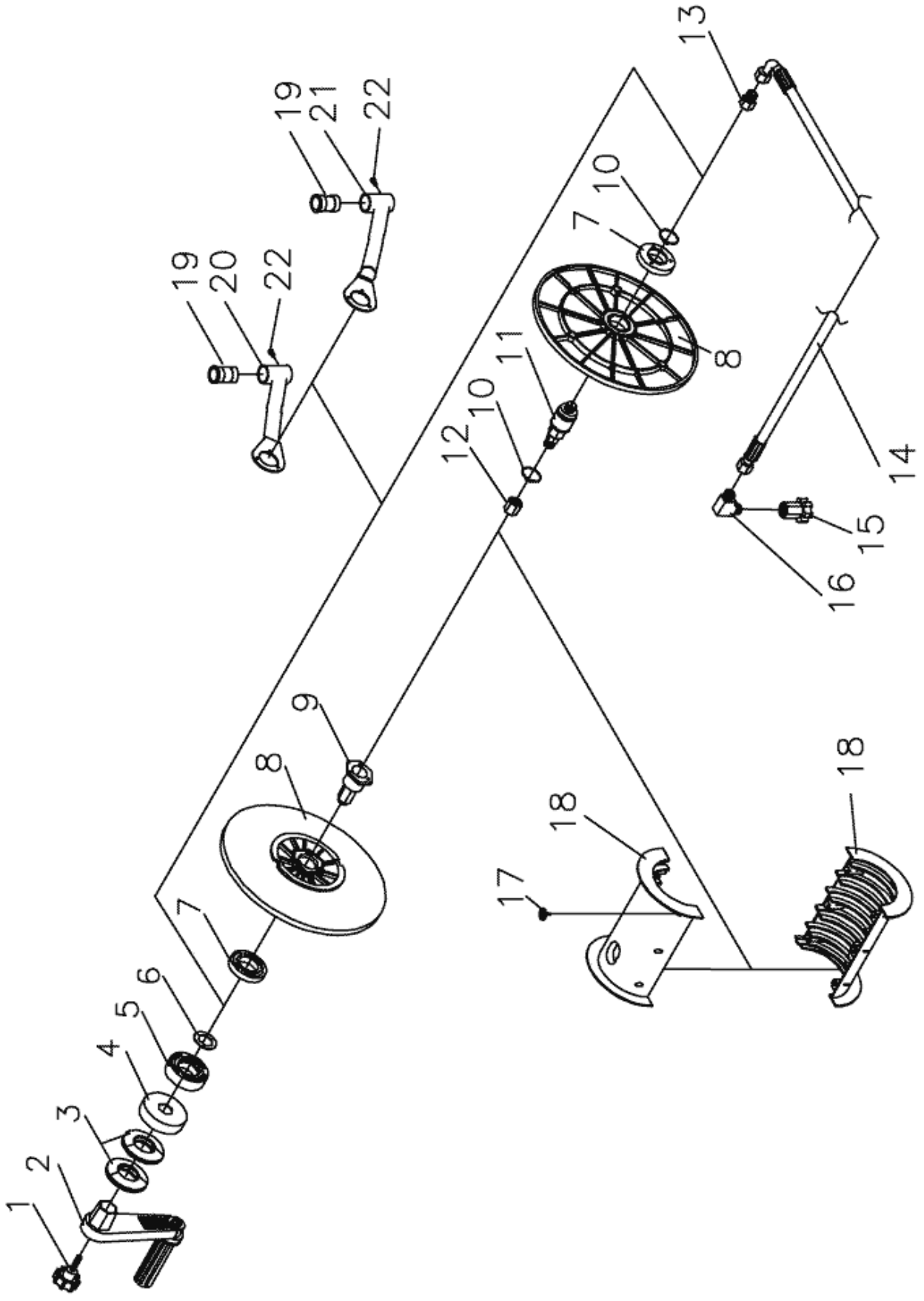

G4 12-190

Reservedelsliste
Spare parts list
Ersatzteilliste
Liste de pièces détachées

Slangerulle / Hose reel / Schlauchrolle / Enrouleur	2
Karosse / Body / Karosserie / Carrosserie	4
Pumpe / Pump / Pumpe / Pomp	8
Motor / Motor / Motor / Moteur	11
EI-komponenter / Electric components / Elektrische komponente / Composantes électrique	14
Pistol / Pistol / Pistole / Pistolet	16
Spulerør / Lances / Lanzen / Lance	18

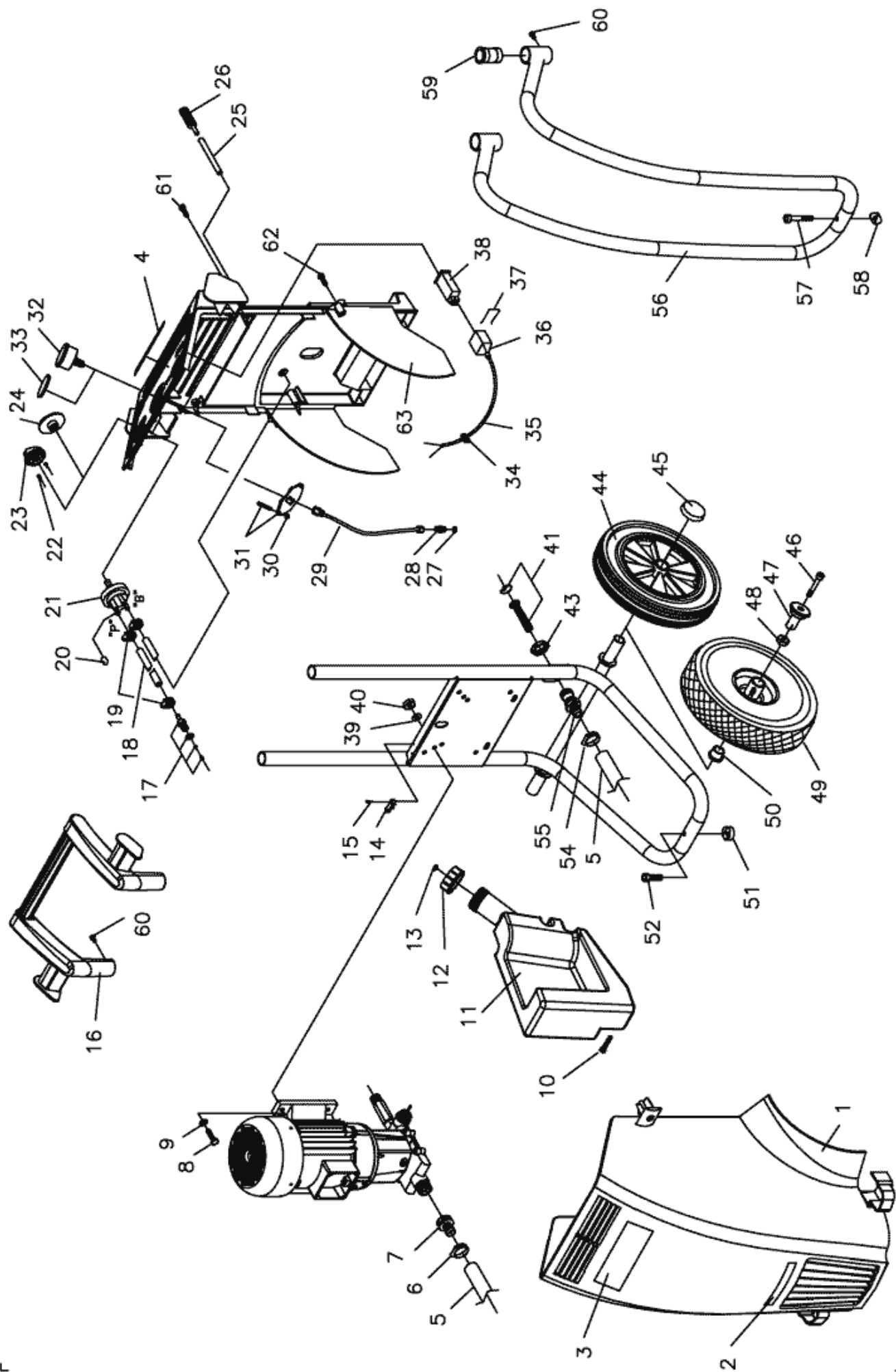
Slangerulle / Hose reel / Schlauchrolle / Enrouleur



Slangerulle / Hose reel / Schlauchrolle / Enrouleur

G4 12-190

Pos.	Ref. no.	Betegnelse Description	Bezeichnung Description	
01	06070901	HANDSKRUE, M8X30 HAND SCREW , M8X30	ECROU P/ENROULEUR M8X30	1
02	06200554	HANDTAG HANDLE	MANIVELLE POUR ENROULEUR	1
03	06200555	SKIVE KIT WASHER KIT	KIT RONDELLES P/ENROULEUR	1
04	06200556	MUFFE SOCKET	MANCHON P/ENROULEUR	1
05	06200557	BESKYTTELSHÆTTE PROTECTION CAP	MANCHON P/ENROULEUR	1
06	06200558	SKIVE WASHER	RONDELLE	1
07	06200559	FLANGE FLANGE	BRIDE P/ENROULEUR	2
08	06200560	SIDELAPE SIDE PLATE	PLAQUE DE COTE	2
09	06200561	AKSEL AXLE	ARBRE EXAGON P/ENROULEUR	1
10	06120583	LÅSERING, D35 LOCKING RING, D35	JOINT D'ARRET, D35	2
11	06211723	DREJELED KPL SWIVEL CPL.	RACCORD TOURNANT CPL.	1
12	06030267	SKRUEKOBLING 3/8 INDV.HAN HIGH PRESSURE NIPPLE / SOCKET, 22 MM X 3/8"	SCHRAUBENKUPPLUNG, INWENDIG MAENNLICH RACCORD A VIS 3/8 INT.MAL	1
13	06030004	HYDRAULIKFORSKR. 3/8-10/12 HYDRAULIC SCREWED CONNECTION, 3/8"-10/12	HYDRAULIKVERSCHRAUBUNG GALVANISERT RACCORD	1
14	06110599	HØJTRYKSSLANGE, DN10/400 950 MM HIGH PRESSURE HOSE, DN10/400 950 MM	HOCHDRUCKSCHLAUCH TUYAU HP SYSTEME600-950MM	1
15	06030266	SKRUEKOBLING 3/8 INDV.HUN HIGH PRES. COUP. W. SWIVEL AND SOCKET, 22	SCHRAUBENKUPPLUNG, INWENDIG, WEIBLICH RACCORD A VIS 3/8 INT.FEM	1
16	06030533	HYDRAULISK VINKELFORSKRUNING, 3/8"X12 HYDR.SCREWED CONNECTION, ANGLE, 3/8"X12	HYDR.VERSCHRAUBUNG,WINKEL 15-02/L12 TUYAU EN CUIVRE	1
17	06070480	SKÆRESKRUE, SORTZINK, 4X20 SCREW, BLACK ZINC, 4X20	SCHNEIDSCHRAUBE, SCHWARZZINK VIS CONIQUE ZINC NOIR	6
18	06200562	MELLESTYKKE INTERMEDIATE DISC	DISQUE INTERMEDIARE	2
19	06181747	BØSNING BUSHING	BÛCHSE DOUILLE	2
20	06211751	HOLDER FOR SLANGERULLE H BRACKET FOR HOSEREEL RH	BESCHLAG R SUPPORT DE DÉVIDOIR	1
21	06211752	HOLDER FOR SLANGERULLE V BRACKET FOR HOSEREEL LH	BESCHLAG L SUPPORT DE DÉVIDOIR	1
22	06070435	SKRUE, M6X16 SCREW, M6X16	TAP TITE PIK, GALV. VIS M6X16 2300/2500/2700	2



Karosseri / Body / Karosserie / Carrosserie

G4 12-190

Pos.	Ref. no.	Bezeichnung Description	Bezeichnung Description
01	06240308	KAROSSE GRØN G4/G5/G7 BODY GREEN, G4/G5/G7	KAROSSERIE GRÜN G4/G5/G7 CARROSSE VERT, G4/G5/G7
02	06302213	—	—
03	06302173	TRANSFERS "GERNI" ORANGE TRANSFERS "GERNI"	AUTOCOLLANT "GERNI" ORANG
04	06302214	—	—
05	06110696	SLANGE 3/4" HOSE 3/4"	SCHLAUCH 3/4" TUYAU 3/4"
06	06110471	SPÆNDEBÅND, 14-32 RETAINING RING, 14-32	SCHLAUCHSCHELLE HS12 FRETTE
07	06030140	VANDSLANGEFORSKRUIING, F/VANDTILGANG, 3/4" X WATER HOSE COUPLING, FOR WATER CON., 3/4" X 3/4"	WASSERSCHLAUCHVERSCHRÄUBUNG JOINT DE TUYAU D"EAU 3/4X"
08	06070011	SKRUE, M8X30 SCREW, M8X30	SETZSCHRAUBE, GALV. VISE E
09	06080201	SPÆNDESKIVE, M8 TENSION DISC, M8	FEDERSKIVE, GALV. DISQUE
11	06150192	DETERGENT TANK	REINIGUNGSMITTEL TANK RESERVOIR DE DETERGENT
12	06200600	LAG FOR KEMIBEHOLDER LID FOR DETERGENTTANK	DECKEL BOUCHON
13	06120616	—	—
14	06200470	SPÆNDESTYKKE RECTANGULAR WASHER	SPANBÜGEL ANNEAU DE SERRAGE PA
15	06070771	SKRUE, 5/8X8 SCREW, 5/8X8	SCHRAUBE VIS
16	06200691	KØREHANDTAG HANDLE	HANDGRIFF POIGNEE
17	06261484	KIT FOR KUGLEKONTRAVENTIL KIT FOR NON-RETURN VALVE	KIT F. RUECKSCHLAGVENTIL KIT VAN.ANTIRET.G300/400
19	06110494	SPÆNDEBÅND, 10-12 RETAINING RING, 10-12	SCHLAUCHSCHELLE 8- FRETTE
20	06200609	—	—
21	06100421	KEMIVENTIL DETERGENTVALVE	VENTILE REINIGUNGSMITTEL VANNE DE DETERGENT
22	06070923	SKRUE U/H TORX Ø3,5X10 SCREW U/H Ø3,5X10	SCHRAUBE Ø3,5X10 VIS Ø3,5X10
23	06200696	KEMIKNAP KPL ORANGE BUTTON ORANGE	KNOPF ORANGE CAPUCHON ORANGE
24	06200697	AFDÆKNINGSPROP PLUG	DECKEL CAPUCHON

Karosseri / Body / Carrosserie

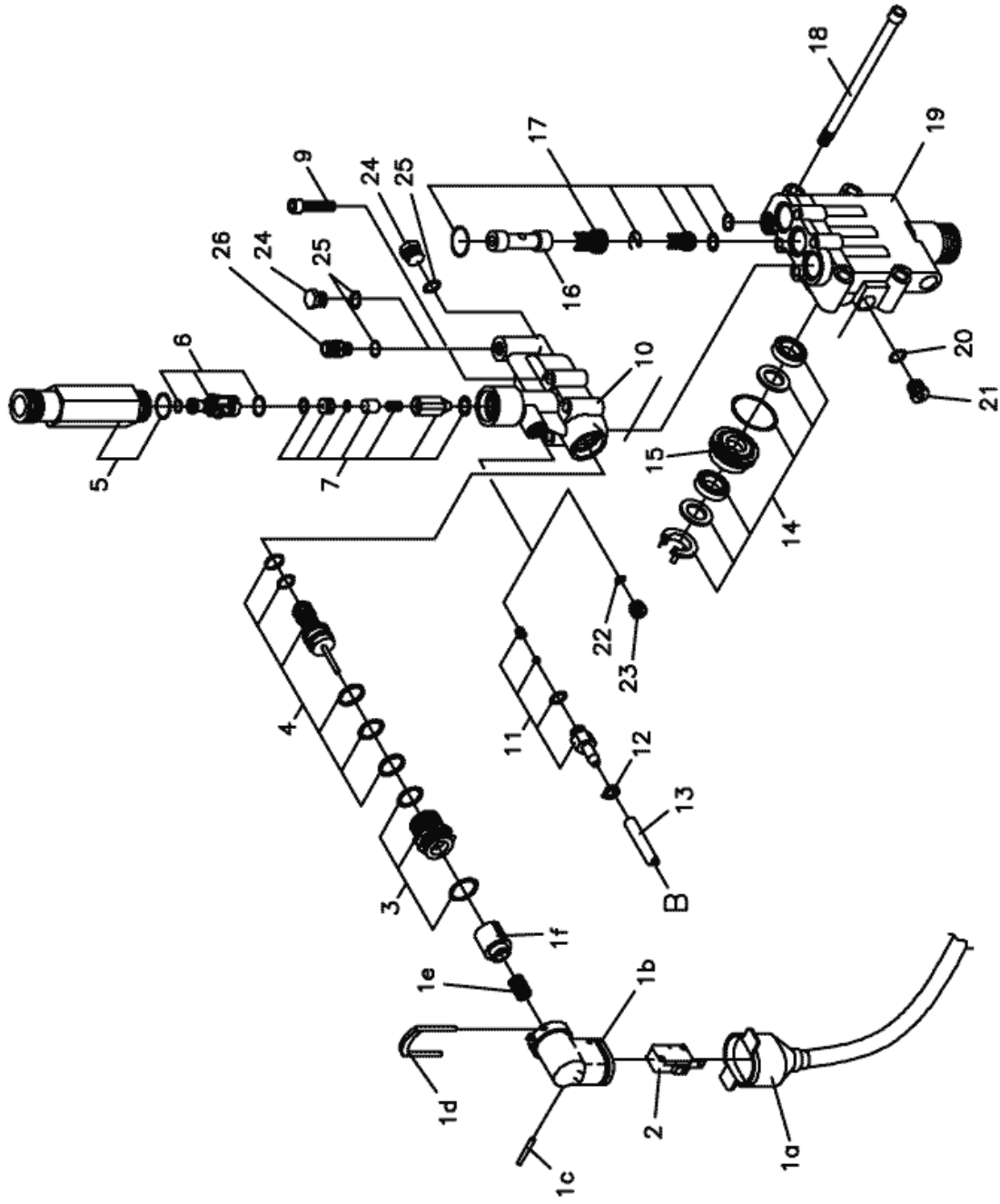
G4 12-190

Pos.	Ref. no.	Bezeichnung Description	Bezeichnung Description
25	06110669		1
26	06100355	FILTER F RENGØRINGSMIDDEL FILTER FOR DETERGENT	FILTER F. REINIGUNGSMITTEL FILTRE G-4000
27	06120446	O-RING, 7,66X1,78 70 O-RING, 7,66X1,78 70	O-RING JOINT TORIQUE
28	06181717	NIPPEL FOR MANOMETERRØR NIPPLE	NIPPEL RACCORD
29	06110701	MANOMETERSLANGE HOSE FOR PRESSURE GAUGE	MANOMETER SCHLAUCH TUYAU POUR MANOMETRE
30	06080084	MØTRIK, M5 NUT, M5	MUTTER, GALV. ECROU GALVANISE
31	06061336	BESLAG FOR MANOMETER FITTINGS FOR MANOMETER	ARMATURE POUR MANOMETRE
32	06220042	MANOMETER, 250 BAR PRESSURE GAUGE, 250/3600 BAR/PSI/ETP	TURBO MANOMETER MANOMETRE
33	06150184	AFDÆKNINGSPROP, Ø50,3X10 COVER PLUG, Ø50,3X10	CAPUCHON DE COUVERTURE, □50,3X10
34	06120561	GUMMIGENNEMFØRING RUBBER GROMMET	TRAVERSEE CAOUTCHOUC2300/
35	06161071		1
36	06200527	BESKYTTELSHÆTTE PROTECTION CAP	SCHÜTZKAPPE CAPUCHON DE PROTECTION
37	06280201	LÅSEBØJLE LOCK FITTINGS	GARNITURE DE SERRURE
38	06220055	TIMETÆLLER, 230V HOUR METRE, 230V	COMPTER HORAIRE, 230V
39	06080004	SPÆNDESKIVE, 8,4X17X1,6 TENSION DISC, 8,4X17X1,6	FEDERSKIBE, GALV. RONDELLE
40	06080038	MØTRIK, M8 NUT, M8	SELBSTSCHLIESSENDE MUTTER, GALV. ECROU
41	06260825	VANDFILTERKIT, 3/4" WATER FILTER KIT,3/4"	WASSERFILTERKIT FILTRE EAU,3/4"
43	06181129	MØTRIK, 36X8 NUT, 36X8	GEGENMUTTER ECROU G-3000
44	06130229		2
45	06280200	LÅSESKIVE, Ø25 LOCK WASHER, Ø25	ENJOLIVEUR ROUE
46	06070451	UNBRACO SKRUE, M8X45 ALLEN SCREW, M8X45	IMBUSSBOLZEN, GALV. INTRAVIS GALV. GALV.
47	06181752	PROP F LUFTGUMMHJUL PLUG FOR AIRWHEEL	PROPF CAPUCHON

Karosseri / Body / Carrosserie

G4 12-190

Pos.	Ref. no.	Bezeichnung Description	Bezeichnung Description
48	06080002	MØTRIK, M8 NUT, M8	MUTTER, GALV. ECROU
49	06130231	—	—
50	06200606	GLIDELEJE FOR HJUL BUSHING FOR WHEEL	BUSHE FÜR RAD DOUILLE POUR RUE
51	06200598	GUMMIFOD Ø30 RUBBER FOOT	GUMMIFUSS PIED EN CAOUTCHOUC
52	06070806	SÆTSKRUE, M8X35 SET SCREW, M8X35	SETZSCHRAUBE VIS D'ARRRET
54	06110471	SPÆNDEBÅND, 14-32 RETAINING RING, 14-32	SCHLAUCHSCHELLE HS12 FRETTE
55	06181727	TILGANGSNIPPEL INLET SOCKET	STUTZE RACCORD DE ENTREE
56	06211749	FRONTBØJLE FRONTGUARD	SCHUTZ PROTECTION DE FRONT
57	06070917	—	—
58	06200142	AFSTANDSSTYKKE, Ø25 DISTANCE PIECE, Ø25	DISTANZSCHEIBE ENTRETOISE TYPE D
59	06181747	BØSNING BUSHING	BÜCHSE DOUILLE
60	06070435	SKRUE, M6X16 SCREW, M6X16	TAP TITE P/K, GALV. VIS M6X16 2300/2500/2700
61	06070920	TAPITTE P/H M5X12 TORX SCREW P/H M5X12 TORX	SCHRAUBE M5X12 VIS M5X12
62	06070922	SKRUE REMFORM TORX Ø5X20 SCREW Ø5X20	SCHRAUBE Ø5X20 VIS Ø5X20
63	06240309	BAGPART SORT REAR PART G5/G7	RÜCK-SEITE SWARTZ G5/G7 PANNEAU ARRIERE G5/G7



Pumpe / Pump / Pumpe / Pomp

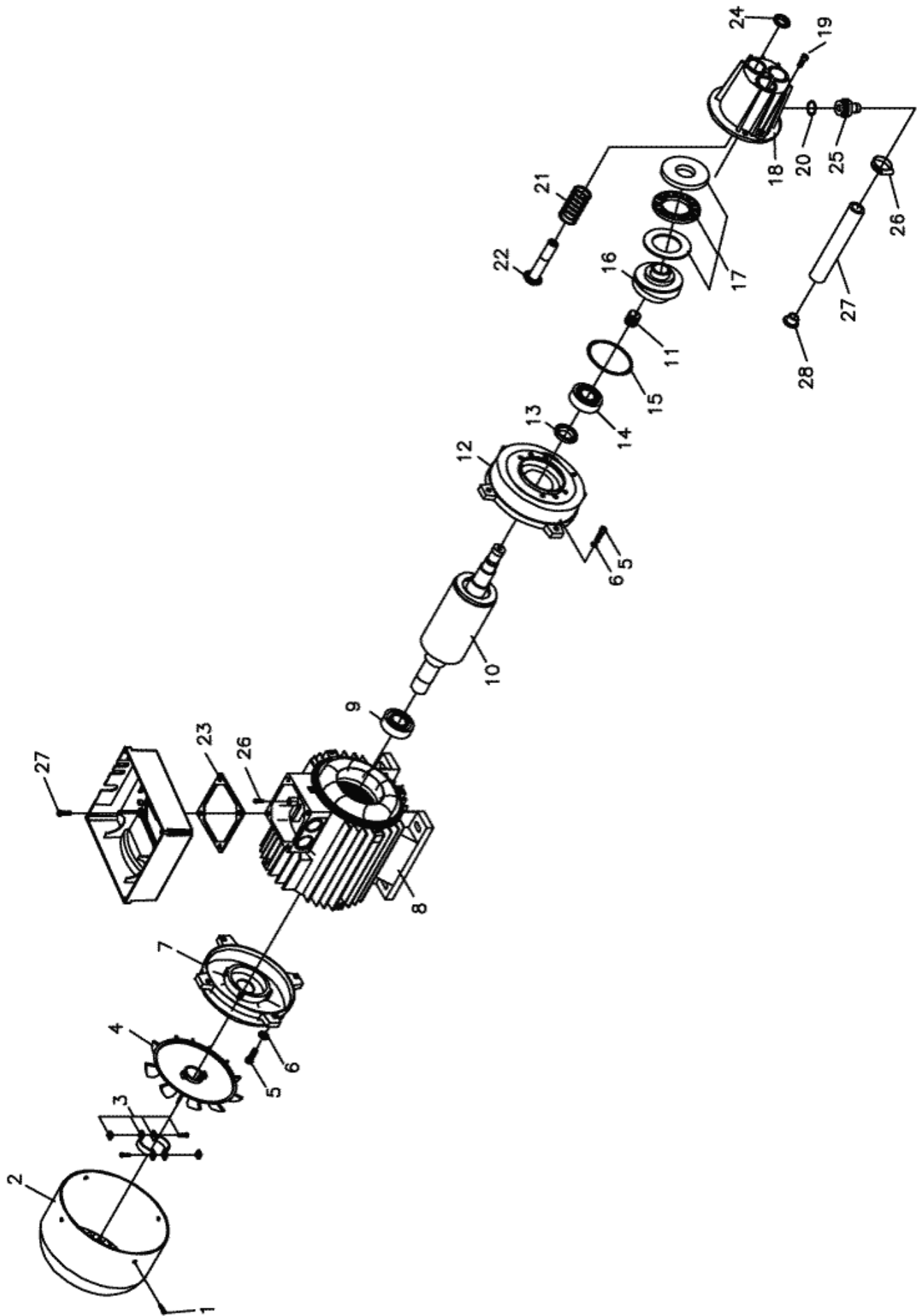
G4 12-190

Pos.	Ref. no.	Betegnelse Description	Bezeichnung Description	
00	06261898	KIT O-RINGE/PUMPE KIT O-RINGS/PUMP	O-RINGKIT F. PUMPE KIT JOINT TONIQUE	1
01	06261900	HUS FOR MIKROSWITCH, KPL. HOUSING FOR MICRO SWITCH, CPL.	GEHÄUSE F. MIKROSWALTER CORPS MICRO CONTACT	1
01C	06200471	STIFT, Ø3X22,5 PIN, Ø3X22,5	CHEVILLE NOIRE PA Ø3X22,5	1
01D	06200469	LÅSEBØJLE LOCK FITTINGS	SCHLOSS JOINT D'ARRRET NOIR PA	1
02	06161007	MIKROSWITCH MARQUARD MICRO SWITCH	MIKROSWALTER MICRO CONTACTMARQUARD MARQUARD	1
03	06211647	FORSKRUNING SCREWED CONNECTION	PFRPFEN RACCORD	1
04	06211648	OMLØBSVENTIL, KPL. BY-PASS VALVE, CPL.	UMLAUFVENTILE VANNE BY-PASS	1
05	06262565	AFGANSNIPPEL M.O-RING OUTLET SOCKET W.O-RING	AUSSLASS STUTZEN KPL RACCORD DE DEPART	1
06	06262612	INJEKTOR DYSE KIT G4 INJECTOR NOZZLE	INJEKTOR NOZZLE INJECTOR NOZZLE	1
07	06211658	TRYKAFLASTINGSVENTIL VALVE FOR PRESSURE RELIEF, CPL., G230/250/270	DRUCKENTLASTUNGSVENTIL KPL CLAPET ANTI RETOUR	1
08	06211653	MANOMETER, KPL. PRESSURE GAUGE, CPL.	MANOMETER MANOMETRE 2300/2500/2700	1
09	06070863	UNBRACO SKRUE, M6X35 ALLEN SCREW, M6X35	INBUSSSCHLÜSSEL VIS A TETE CYLINDRIQUE	4
10	06211654	TRYKMANIFOLD, KPL. PRESSURE MANIFOLD, CPL.	DRUCKMANIFOLD COLLECTEUR DE PRESSIONL.L.	1
11	06261484	KIT FOR KUGLEKONTRAVENTIL KIT FOR NON-RETURN VALVE	KIT F. RUECKSCHLAGVENTIL KIT VAN.ANTIRET.G300/400	1
12	06110494	SPÆNDEBÅND, 10-12 RETAINING RING, 10-12	SCHLAUCHSCHELLE 8- FRETTE	1
13	06110621	KEMISLANGE, Ø9/6X650 DETERGENT HOSE, Ø9/6X650	REINIGUNGSMITTELSCHLAUCH TUYAU DETERGENT POMPEG230G230/250	1
14	06262564	MANCHET KIT KIT FOR CUP	KIT FÜR MANCHETTE KIT POUR COUPELLE	1
14+17	06262574	PUMPEKIT G4 KIT FOR PUMP, G4	KIT FÜR PUMPE KIT COUPELLES - CLAPETS	1
15	06181386	MANCHETHOLDER, Ø35X14,5 CUP HOLDER, Ø35X14,5	MANCHETTENHALTER ANNEAU DE COUPELLE	3
16	06180632	AFSTANDSSTYKKE, Ø16X30 DISTANCE PIECE, Ø16X30	ZWISCHENSTUECK ENTRETOISE	1
17	06261899	KIT FOR VENTIL, 230/250/270 KIT FOR VALVE, 230/250/270	VENTILKIT KIT CLAPET	1
18	06070867	UNBRACO SKRUE, M8X130 ALLEN SCREW, M8X130	INBUSSSCHLÜSSEL VIS A TETE CYLINDRIQUE	4

Pumpe / Pump / Pumpe / Pomp

G4 12-190

Pos.	Ref. no.	Betegnelse Description	Bezeichnung Description	
19	06181437	TOPSTYKKE CYLINDER HEAD	CULASSE, MODIFIEE	1
20	06120446	O-RING, 7,66X1,78 70 O-RING, 7,66X1,78 70	O-RING JOINT TORIQUE	3
21	06200460	RØRPROP, 1/8" PLUG FOR PIPE, 1/8"	ROHRPROPFEN BOUCHON A VIS 1/8"	3
22	06120087	O-RING, 5,28X1,78 O-RING, 5,28X1,78	O-RING JOINT TORIQUE	1
23	06181061	PROP, 1/8"RGX8 PLUG, 1/8"RGX8	PFROPFEN F. OELMESSTAB CAPUCHON	1



Motor / Motor / Moteur

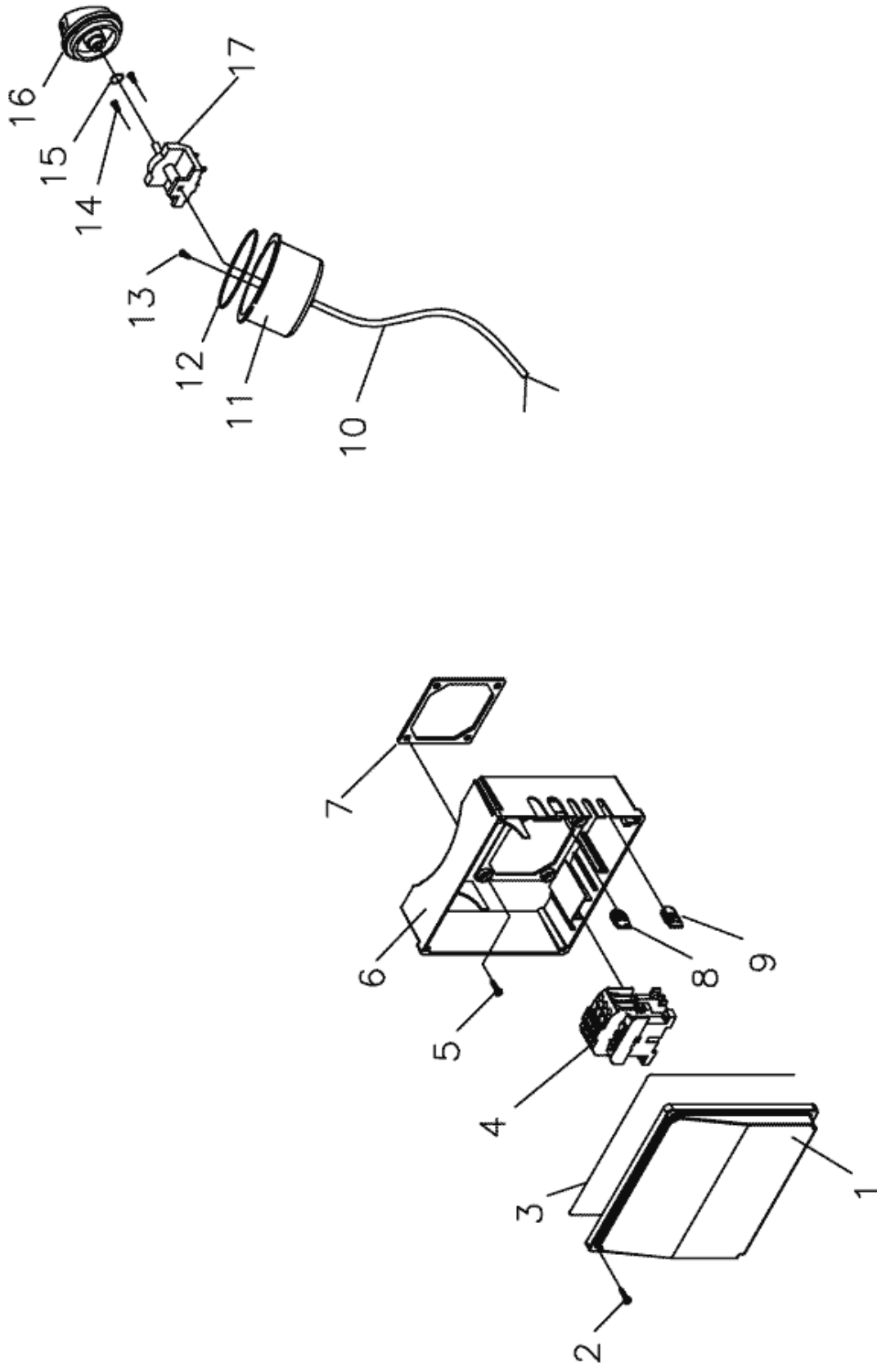
G4 12-190

Pos.	Ref. no.	Betegnelse Description	Bezeichnung Description	
01	06070778	SKRUE, 3,9X9,5 SCREW, 3,9X9,5	VIS, 3,9X9,5	4
02	06270335	VENTILATIONSDEKSEL FAN COVER	VENTILATORDECKEL CARTER DE PROTECTION	1
03	06270338	KOBLING, KPL. COUPLING, CPL.	ACCOUPLLEMENT CPL.	1
04	06270336	VENTILATORVINGE FAN BLADE	HELICE G 230 - 250 - 270	1
05	06070796	SÆTSKRUE GALV M8X20 SCREW 6X20	SCHRAUBE 6X20 VIS D'ARRRET GALVANISEE	8
06	06080016	SPÆNDESKIVE, 6 MM TENSION DISC, 6 MM	FEDERSKHEIBE, GALV. RONDELLE DE SERRAGE	8
07	06270337	MOTORFLANGE MOTOR FLANGE	BRIDE DE MOTEUR	1
08	06270465	MOTOR KPL 3,6KW MOTOR CPL. 3.6KW	MOTOR KPL 3,6KW MOTEUR CPL. 3.6KW	1
1-16	06360587	MOTOR INCL. SKRÅSKIVE, G270 3X230/400/415V 50HZ MOTOR INCL. CAM DISC, G270 3X230/400/415V 50HZ	MOTOR EINSCHL. BOGENSCHEIBE MOTEUR + DISQUE INCLINE	1
1-26	06360582	MOTOR/PUMPE, KPL., G270 3X230/400/415V- 50HZ MOTOR/PUMP, CPL., G270 3X230/400/415V- 50HZ	MOTOR/PUMPE MOTEUR/POMPE, CPL., G270 3X230/400/415V- 50HZ	1
11	06280187	TOLERANCERING, 18X16X18 TOLERANCE RING, 18X16X18	LEHRRING ANNEAU DE TOLERANCE TE18X	1
13	06120552	SIMMERRING SEALING RING	BAGUE OBTURATEUSE P/HUILE	1
14	06140064	KUGLELEJE BALL BEARING	BUTEE 230/250/270	1
15	06120268	O-RING, Ø74,00X2,00 O-RING, Ø74,00X2,00	O-RING JOINT TORIQUE DIAM 7,4 X	1
16	06181751	SKRÅSKIVE 12GR CAM DISC 12	BOGENSCHEIBE 12GR DISQUE INCLINE 12	1
17	06262572	KIT FOR SKRÅSKIVE KIT FOR THRUST BEARING	KIT FÜR DRUCKLAGER KIT POUR PALIER DE BUTEE	1
18	06181405	STEMPELSTYR, 200 PISTON GUIDE, 200	KOLBENFÜHRUNG GUIDE PISTON	1
19	06070452	UNBRACO SKRUE, M8X20 ALLEN SCREW, M8X20	IMBUSSBOLZEN, GALV. INTRAVIS 8X20 GALV. GALV.	2
20	06120381	O-RING, 18,00X2,00 N70 O-RING, 18,00X2,00 N70	O-RING ¥18X2	1
21	06280194	TILHOLDER/JEDER PRESSURE SPRING	RESSORT D/PRESSION250/270	3
23	06120542	PAKNING GASKET	DICHTUNG F. LEITERKASSE JOINT P. BOITE A BORNES	1
24	06120540	OLIETÆTNINGSRING, Ø14X22X7 OIL SEALING RING, Ø14X22X7	ÖLDICHTUNGSRING JOINT D'HUILE14X22X7/6 14X22X7/6	3

Motor / Motor / Moteur

G4 12-190

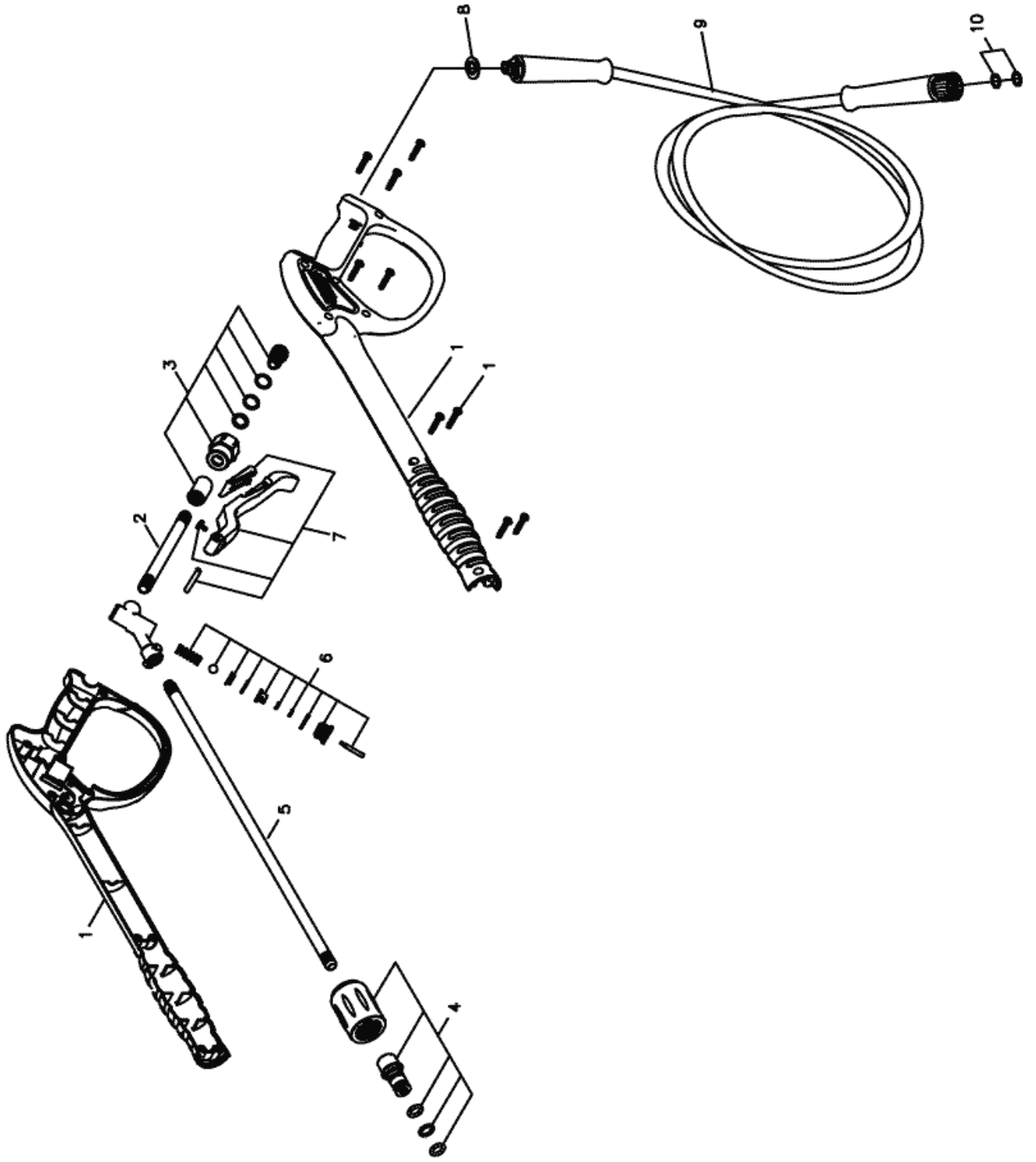
Pos.	Ref. no.	Betegnelse Description	Bezeichnung Description	
25	06181763	SLANGESTUDS HOSE SOCKET	SCHLAUCHSTUTZE RACCORD DE TUYAU	1
26	06110111	SP/ENDEBAND, 13-20 RETAINING RING, 13-20	SCHLAUCHSCHELLE FRETTE	1
27	06110305	SLANGE, 1/2"X600 MM HOSE, 1/2"X600 MM	SCHLAUCH TUYAU	1
28	06150194	PROP PLUG	PROPF CAPUCHON	1
29	06070868	SKRUE, 3,9X9,5 SCREW, 3,9X9,5	VIS, 3,9X9,5	4
30	06070883	SKRUE, 4,8X13 SCREW, 4,8X13	VIS, 4,8X13	4



El-komponenter / Electric components / Elektrische komponente / Composantes électrique

G4 12-190

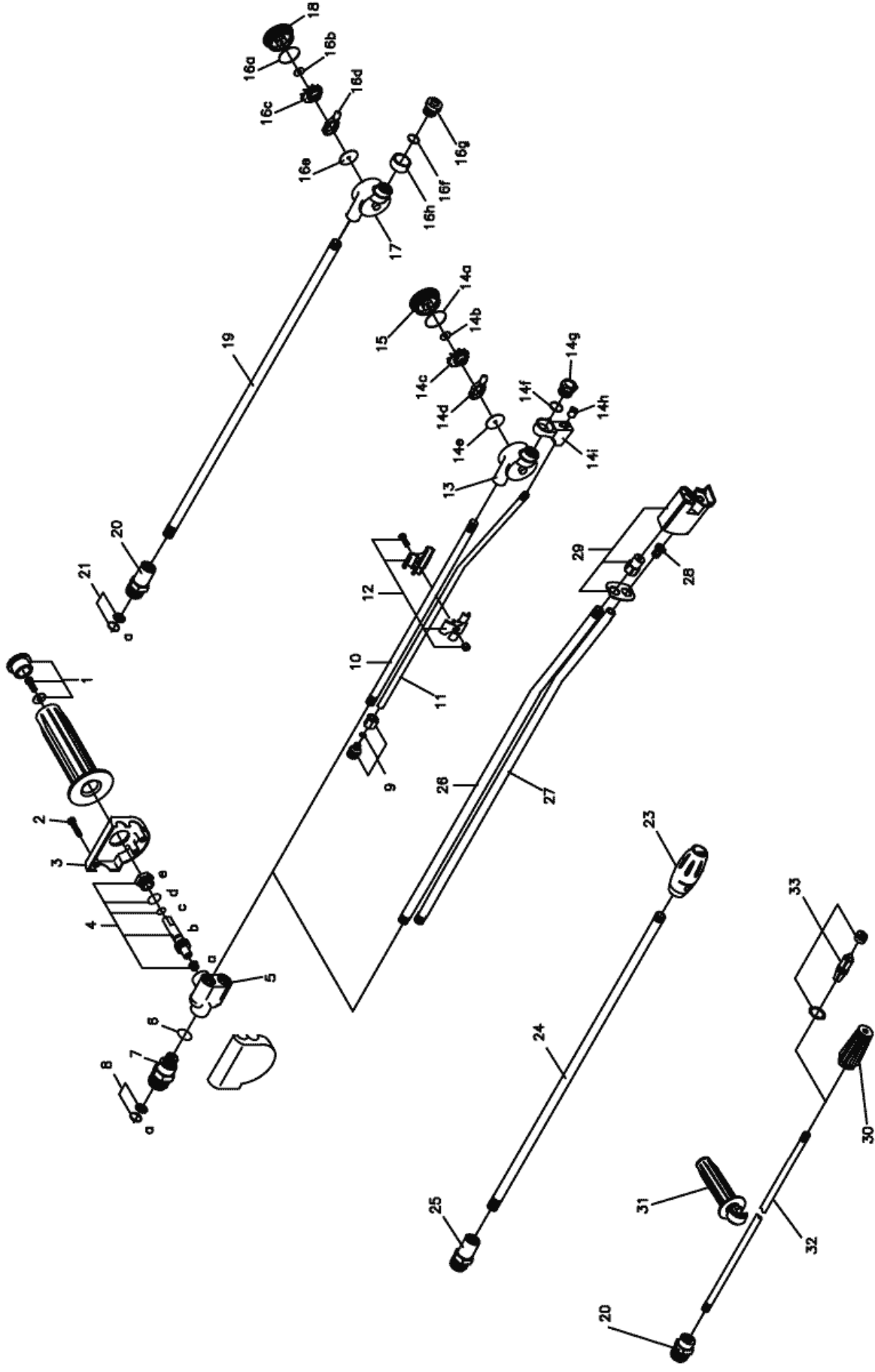
Pos.	Ref. no.	Bezeichnung Description	Bezeichnung Description
01	06200593	EL-KASSE LAG ELECTRIC BOX, COVER	DECKEL ELEKTRO.KASTEN COUVERCLE BOITE ELECTRIQU
02	06070866	SKRUE, 3,5X12 SCREW, 3,5X12	SCHRAUBE VIS POUR 230/250
03	06120559	PAKNING 35 CM GASKET 35 CM.	
04	06161106	KONTAKTOR D18 400V CONTACTOR D18 400V	KONTAKTOR D18 400V CONTACTEUR D18 400V
05	06070883	SKRUE, 4,8X13 SCREW, 4,8X13	VIS, 4,8X13
06	06200592	EL-KASSE BUND ELECTRIC BOX	ELEKTROSCHALTKASTEN BOITE ELECTRIQUE
07	06120542	PAKNING GASKET	DICHTUNG F. LEITERKASSE JOINT P. BOITE A BORNES
08	06120562	GUMMIGENNEMFØRING RUBBER GROMMET	TRAVERSEE CAOUTCHOUC2300/
09	06120561	GUMMIGENNEMFØRING RUBBER GROMMET	TRAVERSEE CAOUTCHOUC2300/
10	06161112	KABEL FOR AFBRYDER CABLE FOR SWITCH	KABEL FÜR SCHALTER CABLE DE INTERRUPTEUR
11	06200587	AFDÆKNING FOR KONTAKT COVER FOR SWITCH	ABDÄCKUNG FÜR SCHALTER COURVERCLE P.INTERRUPTEUR
12	06120559	PAKNING 35 CM GASKET 35 CM.	
13	06070921	SKRUE REMFORMTORX Ø3,5X16 SCREW Ø3,5X16	SCHRAUBE Ø3,5X16 VIS Ø3,5X16
14	06070919	SKRUE U/S M4X8 TORX RSTF. SCREW M4X8 TORX STAINLESS	SCHRAUBE M4X8 VIS M4X8
15	06120226	O-RING, 10,30X2,40 O-RING, 10,30X2,40	O-RING JOINT TORIQUE 10,3X2,4 70 DEGRES
17	06161083	DREJEFABRYDER, 0-1 SWITCH, 0-1	INTERRUPTEUR, 0-1



Pistol / Pistol / Pistole / Pistolet

G4 12-190

Pos.	Ref. no.	Betegnelse Description	Bezeichnung Description	
01	06290186	PISTOLKROP KIT PISTOL BODY KIT	PISTOL KÖRPER KIT CORPS DE PISTOLET	1
02	06290180	TILGANGSRØR INLET PIPE	EINLASSROHR TUYAU D'ENTRÉE	1
03	06290185	DREJELED KIT SWIRVEL KIT	GELENK KIT KIT DE RACCORD TOURNANT	1
04	06290182	SKRUEKOBLING KIT SCREW COUPLING KIT	SCHRAUBEN KUPPLUNG KIT RACCORD A VIS	1
05	06290181	FØRRØR FRONT PIPE	VORDERROHR TUYAU AVANT	1
06	06290183	SERVICE KIT SERVICE KIT	SERVICE KIT KIT SERVICE/PISTOL290179	1
07	06290184	AFTRÆKKER KIT TRIGGER KIT	ABZIEHER KIT KIT DE DÉTENTE	1
08	06120385	USITRING, 24X16,7X1,5 USITRING, 24X16,7X1,5	USITRING JOINT D'ETANCHEITE G-4000	1
09	06110475	HØJTRYKSSLANGE DN8X10M HIGH PRESSURE HOSE, 3/8"X3/8" NIPPLE, Ø8 MM 10 M	HOCHDRUCKSCHLAUCH M. SCHRAUBENKUPPLUNGEN FLEXIBLE HP 10M AVEC R/V	1
09	06110476	HØJTRYKSSLANGE, DN8X8M HIGH PRESSURE HOSE, DN8X8M	HOCHDRUCKSCHLAUCH M. SCHRAUBENKUPPLUNGEN FLEXIBLE HP 8 M AVEC R/V	1
09	06110622	HØJTRYKSSLANGE 8M PLAST EXTENSION HOSE, 8 M (EXCL. ADAPTER)	HOCHDRUCKSCHLAUCH FLEXIBLE HP 8 MDIA. 6X8 PDIA. 6X8 PLASTIQUE	1
09	06110661	HØJTRYKSSLANGE DN8X15M HIGH PRESSURE HOSE, 3/8"X3/8" NIPPLE, Ø 8 MM 15 M	FLEXIBLE 15M DIAMETRE 8	1
10	06260936	PAKNINGSKIT F. SKRUEKOB. GASKET KIT FOR SCREW COUPLING	DICHTUNGSKIT F. SCHRAUBENKUPPLUNG KIT JOINT RACCORD VIS	1



Spulerør / Lances / Lanzen / Lance

G4 12-190

Pos.	Ref. no.	Betegnelse Description	Bezeichnung Description
0	06261887	TURBO LASER M/ SKRUE - 500 MM, 3.5 TURBO LASER - SCREW - 500 MM, 3.5	TURBO LASER TURBO LASER G250
0	06261958	SPECTRUM M/ TRYKREG. - SKRUE - 650 MM, EXCL. SPECTRUM W. PRES. REG. - SCREW - 650 MM,	SPECTRUM OHNE DÜSE - 650 MM SPECTRUM SANS GICLÉUR - 650 MM
0	06261986	SPECTRUM M/ TRYKREG. - SKRUE - 650 MM, 135 SPECTRUM W. PRES. REG. - SCREW - 650 MM, 135	SPECTRUM DÜSE LANCE SPECTRUM
0	06262111	ROTO JET LANCE 040 600MM ROTO JET - SCREW - 600 MM, 4.0	LANCE ROTO JET 040
01	06260232	HANDTAGSKIT F. SPULERØR HANDLE KIT	HANDGRIFFKIT F. DOPPELLANZE KIT REPAR.P/POIGNEE LANCE
02	06070479	SKRUE, 4X20 SCREW, 4X20	SCHNEIDSCHRAUBE, SCHWARZZINK VIS
03	06200097	PYNTEDÆKSEL F. VENTILHUS COVER F. VALVE HOUSING	STAUBKAPPE F. VENTILGEHAE COUVERCLEOR. D. VAN OR. D. VAN
04	06260660	VENTILSPINDEL KIT VALVE SPINDLE KIT	VENTILSPINDELKIT F. DRUCKREGELUNG KIT REGLAGE PRESSION DOUB
04C	06120006	O-RING, 6.75X1,78 O-RING, 6.75X1,78	O-RING JOINT TORIQUE MAT 4470
04D	06120010	O-RING, 13.1X1,6 O-RING, 13.1X1,6	O-RING JOINT TORIQUE MAT 4470
04E	06190245	MØTRIK NUT	MUTTER F. VENTIL ECROU POUR VANNE DOUB.LAN
05	06211078	VENTILHUS VALVE HOUSING	VENTILGEHAEUSE, KPL. CULASSE LANCE DOUBLE ET
06	06120188	O-RING, 10X2 O-RING, 10X2	O-RING JOINT TORIQUE
07	06030484	SKRUEKOBLING 1/4 UDV. SCREW COUPLING ROTATABLE, 1/4"	SCHR.KUPLUNG DREHBAR F.DOPPELLANZE ACCOUPL. VIS TOURNANT DBL LANCE DOUBLE
08	06100332	FILTER FOR TURBO LASER FILTER FOR TURBO LASER	FILTER F. TURBO LASER M. O-RING FILTRE TURBO LASER
08A	06120139	O-RING, 10X1 O-RING, 10X1	O-RING JOINT SPY JET
09	06030527	BRYSTNIPPEL, 8X1/4" BREAST NIPPLE, 8X1/4"	GEWINDESTUECK RACCORD
1-15	06261874	TURBO LASER M/ TRYKREG. - SKRUE - 600 MM, 3.5 TURBO LASER W. PRES. REG. - SCREW - 600 MM, 3.5	TURBO LASER TURBO-LASER 600MM
10	06050841	SPULERØR LIGE, Ø13X1,5X586 LANCE STRAIGHT, Ø13X1,5X586	LANZE GERADE TURBO LASER LANCE DROITE TURBO LASER
11	06050842	KEMIRØR 15 GR. BUK, Ø8X1X622 DETERGENT PIPE 15 DEG., Ø8X1X622	RELMITTLEROHR 15 GR. VERB. F. T. L. TUYAU POUR LANCESE, 15 DSR, 15 DEGRES
12	06261130	BESLAG FOR TURBO LASER FITTINGS FOR TURBO LASER	BESCHLAG F. TURBO LASER ROHR ARMATURE POUR TURBO LASER TUYAU
13	06261646	HUS FOR TURBO LASER, Ø2,0 HOUSING FOR TURBO LASER, Ø2,0	GEHAEUSE F. TURBO LASER CORPS P.TURBO LASER 2.0

Spulerør / Lances / Lanzen / Lance

G4 12-190

Pos.	Ref. no.	Betegnelse Description	Bezeichnung Description	
14	06261875	TURBO LASER KIT, 3.5 TURBO LASER KIT, 3.5	SERVICEKIT F. TURBO LASER KIT TURBO 250/2500	1
14A	06120544	O-RING, 36.0X1,78 O-RING, 36.0X1,78	JOINT TORIQUE	1
14F	06120282	O-RING, 14X1,78 O-RING, 14X1,78	O-RING JOINT TORIQUE 14 X 1,78	1
14H	06180533	DYSE, Ø10X12 NOZZLE, Ø10X12	DUESE GICLEUR DIA. 10X12	1
15	06180936	LAG FOR TURBO LASER COVER FOR TURBO LASER	DECKEL F. TURBO LASER, BEARBEITET COUVER.P.TURBO LASER	1
16	06261894	TURBO LASER KIT (ENKELT RØRLANSE) , 3.5 TURBO LASER KIT (SINGLE LANCE), 3.5	SERVICEKIT F. TURBO LASER KIT TURBO	1
16A	06120544	O-RING, 36.0X1,78 O-RING, 36.0X1,78	JOINT TORIQUE	1
16F	06120282	O-RING, 14X1,78 O-RING, 14X1,78	O-RING JOINT TORIQUE 14 X 1,78	1
16H	06200476	PLASTIKRING PLASTIC RING	PLASTIKRING F. TURBO LASER ANNEAU EN PLAST. P. TURBO LASER	1
17	06261646	HUS FOR TURBO LASER, Ø2,0 HOUSING FOR TURBO LASER, Ø2,0	GEHÄUSE F. TURBO LASER CORPS P.TURBO LASER 2.0	1
18	06180936	LAG FOR TURBO LASER COVER FOR TURBO LASER	DECKEL F. TURBO LASER, BEARBEITET COUVER.P.TURBO LASER	1
19	06051012	SPULERØR LIGE, Ø13X1,5X450 LANCE STRAIGHT, Ø13X1,5X450	LANZE F. TURBO LASER LANCE P. TURBO LASER	1
20	06030485	SKRUEKOBLING, 1/4" INDV. SCREW COUPLING, 1/4"	SCHRAUBENKUPPLUNG, NICHT DREHBAR ACCOUPL. VIS 1/4 INT.NT NT	1
21	06100332	FILTER FOR TURBO LASER FILTER FOR TURBO LASER	FILTER F. TURBO LASER M. O-RING FILTRE TURBO LASER	1
21A	06120139	O-RING, 10X1 O-RING, 10X1	O-RING JOINT SPY JET	1
23	06290171	VAR.SPREDEDYSE 1,1 ADJUSTABLE NOZZLE 1,1	MULTIDUSE 1,1 JET VARIABLE 1,1	1
24	06050656	SPULERØR LIGE, RUSTFRI, Ø13,5X2X470 LANCE STAINLESS, Ø13,5X2X470	LANZE ROSTFRI LANCE INOX DROITE	1
25	06030485	SKRUEKOBLING, 1/4" INDV. SCREW COUPLING, 1/4"	SCHRAUBENKUPPLUNG, NICHT DREHBAR ACCOUPL. VIS 1/4 INT.NT NT	1
29	06261965	SPECTRUM KIT, 135 SPECTRUM KIT, 135	SPECTRUM KIT KIT DE REPARATION	1
30	06262133	ROTO JET DYSE KPL., 4.0 ROTO JET NOZZLE CPL., 4.0	GICLEUR ROTO CPL. 4.0	1
31	06260365	HANDGREB TIL ROT. BØRSTER OG ENKELT LANSERØR, HANDLE FOR ROTATING BRUSHES AND SINGLE	HANDGRIFF POIGNEE DE MAINTIEN LANCE	1
32	06050841	SPULERØR LIGE, Ø13X1,5X586 LANCE STRAIGHT, Ø13X1,5X586	LANZE GERADE TURBO LASER LANCE DROITE TURBO LASER	1

Spulerør / Lances / Lanzen / Lance

Pos.	Ref. no.	Beegnelse Description	Bezeichnung Description	G4 12-190
33	06262222	ROTO DYSE KIT, 4.0 ROTO JET NOZZLE KIT, 4.0	KIT POUR GICLEUR ROTO 040	1