

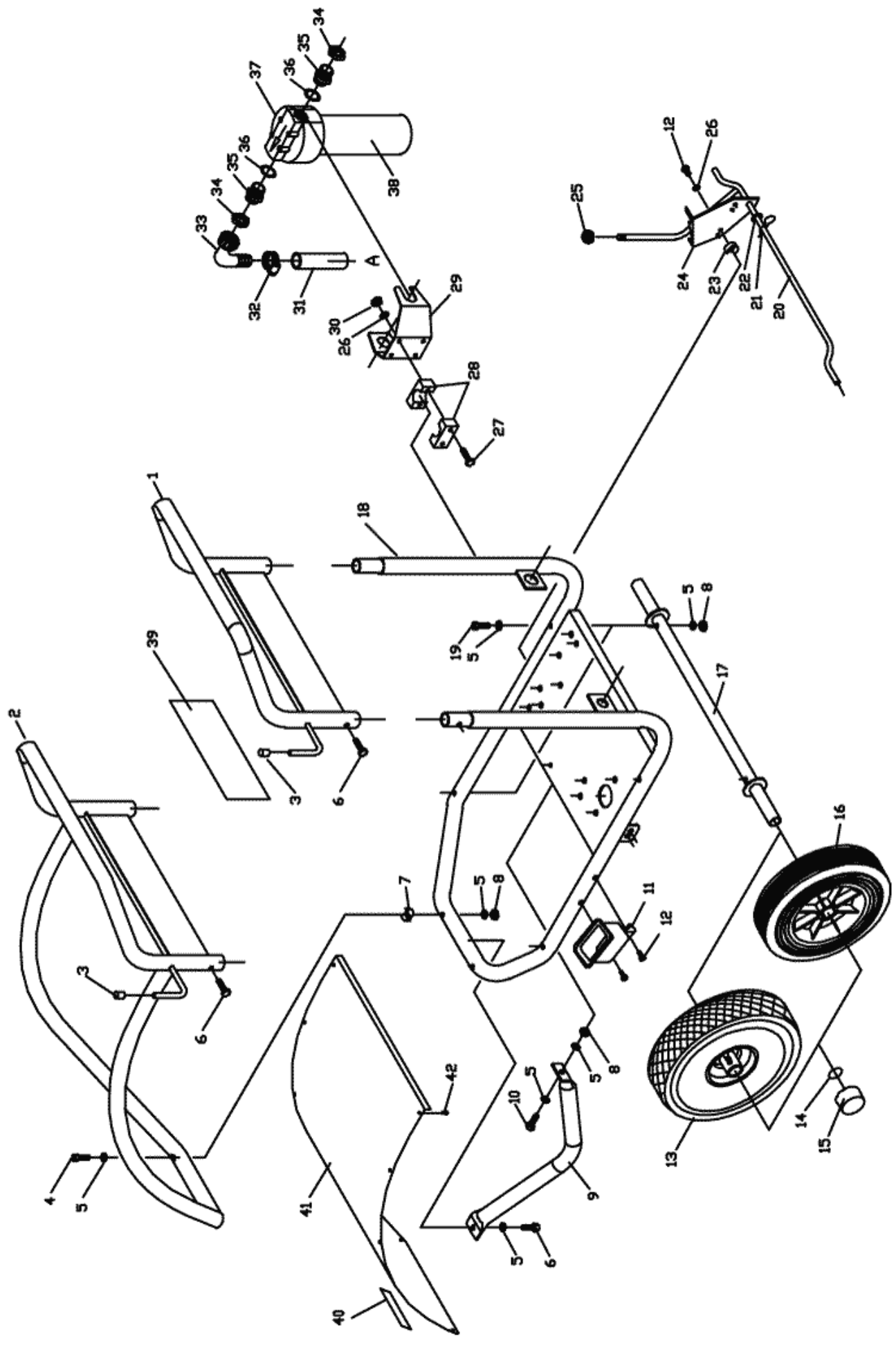
---

# G9 Mobile

---

**Reservedelsliste**  
**Spare parts list**  
**Ersatzteilliste**  
**Liste de pièces détachées**

Ramme / Frame / Rahmen / Cadre . . . . .	2
Pumpe / Pump / Pumpe / Pomp . . . . .	5
Motor / Pumpe / Motor / Pump / Motor / Pump / Moteur/pomp . . . . .	8
EI-komponenter / Electric components / Elektrische komponente / Composantes électrique . . . .	11
Pistol / Pistol / Pistole / Pistolet . . . . .	13



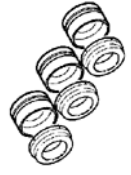
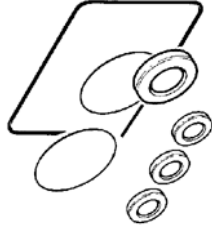
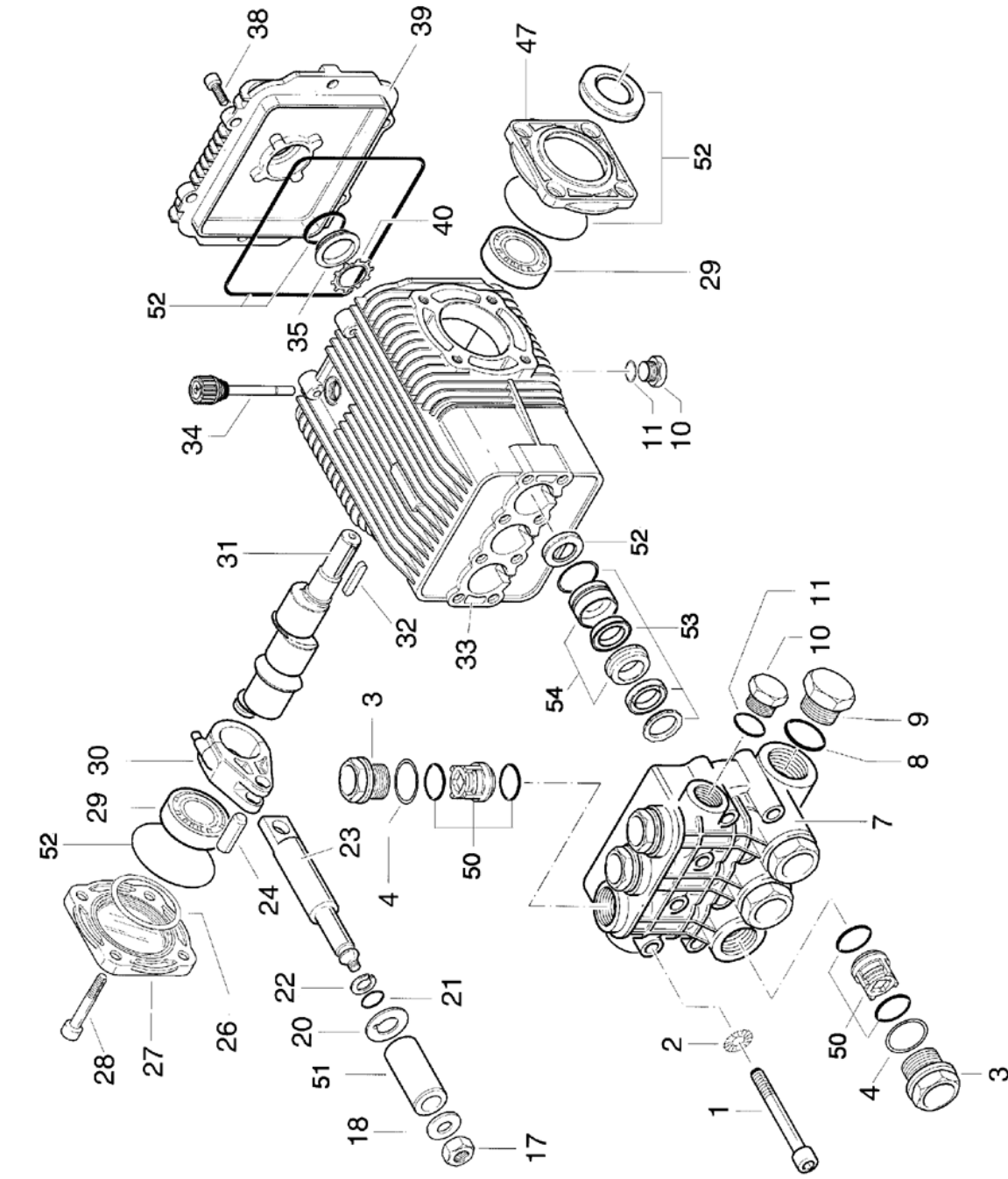
# Ramme / Frame / Rahmen / Cadre

Pos.	Ref. no.	Betegnelse Description	Bezeichnung Description	G9 21-200	G9 26-170	G9 30-140	G9 21-250	G9-26-220	G9 30-200
01	06211743	—		1	1	1	1	1	1
02	06211745	SPOILER		1	1	1	1	1	1
03	06200020	DUPSKO, 8 CAP, 8	ZWINGE BOUT	1	1	1	1	1	1
04	06070332	UNBRAKO BOLT, M8X80 ALLEN BOLT, M8X80	SCHRAUBE BOULON TETE CYLINDRIQUE	2	2	2	2	2	2
05	06080004	SPÆNDESKIVE, 8,4X17X1,6 TENSION DISC, 8,4X17X1,6	FEDERSKIVE, GALV. RONDELLE	4	4	4	4	4	4
06	06070287	SÆTSKRUE, M8X20 SET SCREW, M8X20	VIS D'ARRET, M8X20	2	2	2	2	2	2
07	06200142	AFSTANDSSTYKKE, Ø25 DISTANCE PIECE, Ø25	DISTANZSCHEIBE ENTRETOISE TYPE D	2	2	2	2	2	2
08	06080038	MØTRIK, M8 NUT, M8	SELBSTSCHLIESSENDE MUTTER, GALV. ECROU	4	4	4	4	4	4
09	06051073	STØTTEBEN SUPPORT FRONT	KIPPSTÄNDER BIPIED	1	1	1	1	1	1
10	06070085	SÆTSKRUE, M8X16 SET SCREW, M8X16	SETZSCHRAUBE, GALV. VIS D'ARRET, GALVANISEE	1	1	1	1	1	1
11	06200443	—		1	1	1	1	1	1
12	06070435	SKRUE, M6X16 SCREW, M6X16	TAP TITE P/K, GALV. VIS M6X16 2300/2500/2700	2	2	2	2	2	2
13	06130094	LUFTGUMMIHJUL, 12"X4" AIR RUBBER WHEEL, 12"X4"	LUFTGUMMIRAD ROUE CAOUTC-AIR 600P-PX	4	4	4	4	4	4
14	06120572	O-RING, 23.4X3.5 O-RING, 23.4X3.5	JOINT 23.4 X 3.5	4	4	4	4	4	4
15	06280200	LÅSESKIVE, Ø25 LOCK WASHER, Ø25	ENJOLIVEUR ROUE	4	4	4	4	4	4
16	06130222	HJUL, 25/65-275/70 WHEEL, 25/65-275/70	ROUE PLEINE DURE	4	4	4	4	4	4
17	06211746	HJULAKSEL WHEEL AXEL	RADWELLE ABRE DE ROUE	2	2	2	2	2	2
17	06211747	HJULAKSEL WHEEL AXEL	RADWELLW ABRE DE ROUE	2	2	2	2	2	2
18	06211742	—		1	1	1	1	1	1
19	06070917	—		4	4	4	4	4	4
20	06211744	—		1	1	1	1	1	1
21	06280214	HARNÅLESPLIT Ø2X43 HAIRPIN SPLIT	HARNÅDELSPLINT CLAVETTE D'ARRET	1	1	1	1	1	1

## Ramme / Frame / Rahmen / Cadre

Pos.	Ref. no.	Betegnelse Description	Bezeichnung Description	G9 21-200	G9 26-170	G9 30-140	G9 21-250	G9 26-220	G9 30-200
22	06080008	SPÆNDESKIVE, 10X19X1,5 TENSION DISC, 10X19X1,5	FEDERSKIBE, GALV. RONDELLE DE SERRAGE GALVA	1	1	1	1	1	1
23	06200584			2	2	2	2	2	2
24	06061538	BESLAG FOR BREMSE BRACKET FOR BRAKE	BESCHLAG FÜR BREMSE SUPPORT DE FREIN	1	1	1	1	1	1
25	06200288	KUGLE, M10 Ø32 BALL, M10 Ø32	KUGEL, SCHWARZ BOULETTE(NTE) NTE)	1	1	1	1	1	1
26	06080016	SPÆNDESKIVE, 6 MM TENSION DISC, 6 MM	FEDERSKIBE, GALV. RONDELLE DE SERRAGE	10	10	10	10	10	10
27	06070888			8	8	8	8	8	8
28	06030851	RØRBÆRER Ø30 SORT HOSE CARRIER Ø30 BLACK	ROHRTRÄGER Ø30 SUPPOT DE TUYAU Ø30 NOIR	2	2	2	2	2	2
29	06061536	HOLDER FOR FILTER FILTER BRACKET	BESCHLAG FÜR FILTER SUPPORT DE FILTRE	1	1	1	1	1	1
30	06080062	MØTRIK, M6 NUT, M6	SELBSTSCHLIESENDE MUTTER, GALV. ECROU INDESSERRABLE LAITON	4	4	4	4	4	4
31	06110463	SLANGE, 3/4" X 275 HOSE, 3/4" X 275	DRUCKLUFTSCHLAUCH TUYAU D'ENTREE D'EAU G-66	1	1	1	1	1	1
32	06110471	SPÆNDEBAND, 14-32 RETAINING RING, 14-32	SCHLAUCHSCHELLE HS12 FRETTE	2	2	2	2	2	2
33	06030681	VINKELSTUDS, 3/4" ANGLE SOCKET, 3/4"	WINKELSTUTZEN PLASTIK RACCORD EQUERRE PLASTIQUE	1	1	1	1	1	1
34	06180384	KONTRAMØTRIK, 3/4" COUNTER NUT, 3/4"	GEGENMUTTER CONTRE ECROU NV 32 X 8	2	2	2	2	2	2
35	06181517	NIPPEL, 3/4"-3/4" NIPPLE, 3/4"-3/4"	RACCORD, 3/4"-3/4"	2	2	2	2	2	2
36	06120442	O-RING, 25.0X3,0 O-RING, 25.0X3,0	O-RING JOINT TORIQUE	2	2	2	2	2	2
37	06100405	VANDFILTER KPL., 3/4" WATER FILTER CPL., 3/4"	BOCAL FILTRE D'EAU	1	1	1	1	1	1
38	06100406	FILTERINDSATS 100 MICRON FILTER INSERT 100 MICRON	PATRON DE FILTRE 100 MICR	1	1	1	1	1	1
39	06061543	COVER PLATE		1	1	1	1	1	1
40	06302140	TRANSFERS GERNI TRANSFERS GERNI ORANGE	KLEBSTREIFEN GERNI ORANG AUTOCOLLANT GERNI ORANGE	1	1	1	1	1	1
41	06061543	COVER PLATE		1	1	1	1	1	1
42	06070918	SKRUE SELVSKÆR. 4.2X13 SCREW 4,2X13	SCHRAUBE 4,2X13 VIC. 4,2X13	10	10	10	10	10	10

Pumpe / Pump / Pumpe / Pomp

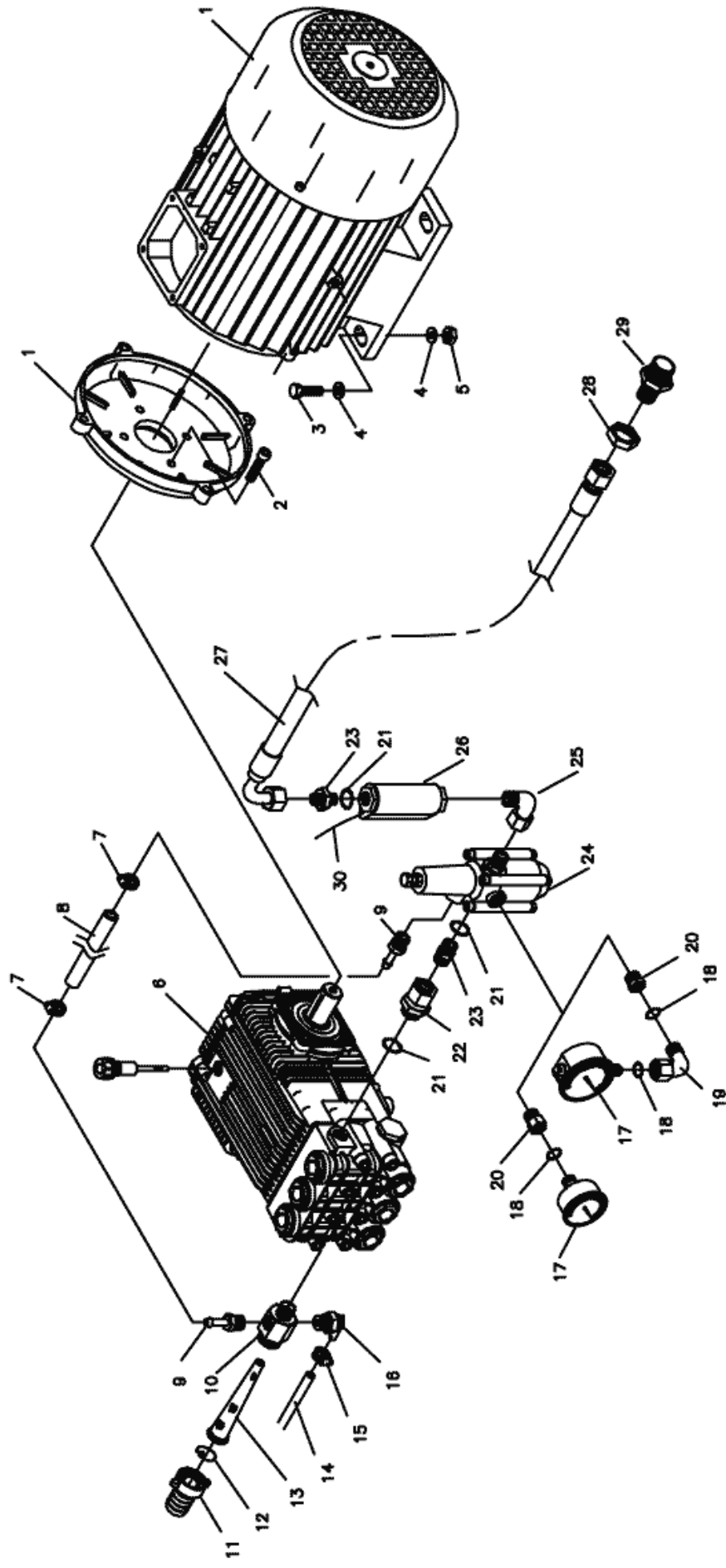


## Pumpe / Pump / Pumpe / Pomp

Pos.	Ref. no.	Betegnelse Description	Bezeichnung Description	G9 21-200	G9 26-170	G9 30-140	G9 21-250	G9 26-220	G9 30-200
01	06401206	SKRUE SCREW	VIS	8	8	8	8	8	8
02	06401207	SKIVE WASHER	RONDELLE	8	8	8	8	8	8
03	06401208	PROP PLUG	BOUCHON POUR G 830	6	6	6	6	6	6
04	06401209	TÆTNINGSSKIVE SEALING RING	RONDELLE	6	6	6	6	6	6
07	06401210	PUMPEHUS PUMP HOUSING	CULASSE G 830						1
07	06401242	TOPSTYKKE PUMPHEAD	PUMPENKOPF TETE POMPE	1	1	1	1	1	1
08	06401211	O-RING O-RING	JOINT TORIQUE	1	1	1	1	1	1
09	06401212	PROP PLUG	CAPUCHON	1	1	1	1	1	1
10	06401213	PROP PLUG	CAPUCHON	2	2	2	2	2	2
11	06401214	O-RING O-RING	JOINT TORIQUE	2	2	2	2	2	2
17	06401215	MØTRIK NUT	ECROU G830	3	3	3	3	3	3
18	06401216	SKIVE WASHER	RONDELLE	3	3	3	3	3	3
20	06401217	AFSTANDSSKIVE SPACER	DISQUE DE SEPARATION G830	3	3	3	3	3	3
21	06401218	O-RING O-RING	JOINT TORIQUE	3	3	3	3	3	3
22	06401219	TÆTNINGSSKIVE SEALING RING	BAGUE POUR 830	3	3	3	3	3	3
23	06401220	STEMPELARM GUIDING PISTON	GUIDE PISTON G830	3	3	3	3	3	3
24	06401221	STEMPELSTIFT PISTON PIN	GOUJON	2	2	2	2	2	2
26	06401222	SCHIMS, 0,10 MM SHIM, 0,10 MM	EPAISSEUR, 0,10 MM	1	1	1	1	1	1
26	06401223	SCHIMS, 0,19 MM SHIM, 0,19 MM	JOINT EPAISSEUR 0.19MM	1	1	1	1	1	1
26	06401224	SCHIMS, 0,25 MM SHIM, 0,25 MM	EPAISSEUR, 0,25 MM	1	1	1	1	1	1
27	06401225	SIDE DÆKSEL CLOSED SIDE COVER	COUVERCLE LAT. FERME	1	1	1	1	1	1
28	06070746	UNBRACO SKRUE, M8X35 ALLEN SCREW, M8X35	IMBUSSBOLZEN, GALV. BOULON A TETE CYLINDRIQUE	4	4	4	4	4	4

## Pumpe / Pump / Pumpe / Pomp

Pos.	Ref. no.	Betegnelse Description	Bezeichnung Description	G9 21-200	G9 26-170	G9 30-140	G9 21-250	G9 26-220	G9 30-200
29	06401226	LEJE BEARING	ROULEMENT	2	2	2	2	2	2
30	06401227	MEDBRINGER CON ROD	BIELLE	3	3	3	3	3	3
31	06401228	KRUMTAP CRANK	VILBREQUIN						1
31	06401243	STEMPEL KIT PISTON KIT	KIT FÜR KOLBEN KIT PISTONS				1		
32	06401229	NOT KEY	LANGUETTE	1	1	1	1	1	1
33	06401230	PUMPE HUS PUMP HOUSING	CORPS POMPE G830	1	1	1	1	1	1
34	06401231	OLIE PIND OIL CAP	BOUCHON CHARGE HUILE	1	1	1	1	1	1
35	06401232	OLIE INDIKATOR OIL INDICATOR	NIVEAU HUILE	1	1	1	1	1	1
38	06070093	SKRUE, M6X16 SCREW, M6X16	IMBUSSCHRAUBE BOULON A TETE CYLINDRIQUE	6	6	6	6	6	6
39	06401233	ENDE DÆKSEL REAR COVER	COUVERCLE POSTERIEUR	1	1	1	1	1	1
40	06401234	LÅSERING LOCKING RING	JOINT D'ARRET	1	1	1	1	1	1
47	06401235	ÅBEN SIDE DÆKSEL OPEN SIDE COVER	COUVERCLE LAT. OUVERT	1	1	1	1	1	1
50	06262593	VENTILKIT, Ø22 VALVE KIT, Ø22	VENTILE KIT Ø22 KIT CLAPETS Ø22	1	1	1	1	1	1
51	06401202	STEMPELKIT 3 STK., 830 Ø22 PISTON KIT 3 PCS., 830 Ø22	KIT PISTONS G 830( QT 3)						1
51	06401243	STEMPEL KIT PISTON KIT	KIT FÜR KOLBEN KIT PISTONS	1	1	1	1	1	1
52	06401203	OLIETÆTNINGSKIT, Ø22 KIT FOR OIL SEALS, Ø22	KIT BAGUES G 830	1	1	1	1	1	1
53	06401204	VAND TÆTNINGSKIT, Ø22 KIT FOR WATER SEALS, Ø22	KIT COUPELLES G 830						1
53	06401244	VANDTÆTNINGS KIT KIT FOR WATERSEALS	KIT FÜR DICHTUNG KIT GARNITURES EAU	1	1	1	1	1	1
54	06401205	STEMPELFOREINGSKIT, Ø22 KIT FOR PISTONS GUIDE, Ø22	KIT GUIDE PISTONS G 830						1
54	06401245	STEMPELFOREINGS KIT KIT FOR PISTONGUIDE	KIT F. KOLBENFØRINGSATS KIT GUIDE PISTONS	1	1	1	1	1	1



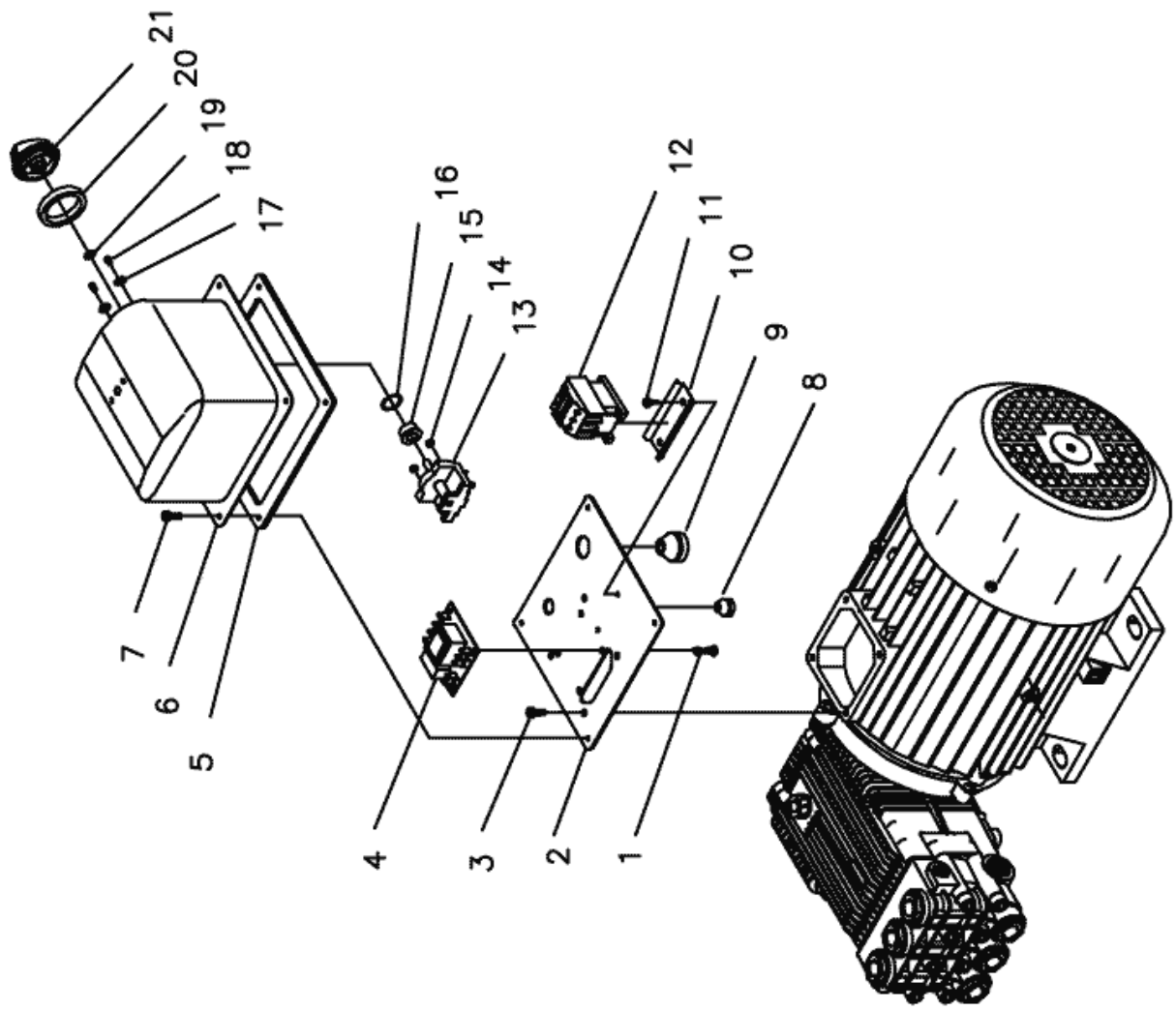


## Motor / Pumpe / Motor / Pump / Motor / Pump / Moteur/pomp

Pos.	Ref. no.	Bezeichnung Description	G9 21-200	G9 26-170	G9 30-140	G9 21-250	G9 26-220	G9 30-200
01	06270438	MOTOR, KPL 3X400V 9,2KW MOTOR, CPL 3X400V 9,2KW	1	1	1	1	1	1
01	06270439	MOTOR, KPL 3X400V 7,5KW MOTOR, CPL 3X400V 7,5KW	1		1			
01	06270457	MOTOR, KPL 400/690V 11KW MOTOR, KPL 400/690V 11KW						1
02	06070746	IMBUSSBOLZEN, GALV. BOULON A TETE CYLINDRIQUE	4	4	4	4	4	4
03	06070080	SÆTSKRUE, M10X40 SET SCREW, M10X40	4	4	4	4	4	4
04	06080008	SPÆNDESKIVE, 10X19X1,5 TENSION DISC, 10X19X1,5	4	4	4	4	4	4
05	06080043	MØTRIK, M 10 NUT, M 10	4	4	4	4	4	4
06	06360597	PUMPE KOMPLET 11KW PUMP CPL., 11KW 30L X 200BAR						1
06	06360640	PUMPE KPL. PUMP CPL.	1					1
06	06360641	PUMPE KPL. PUMP CPL.		1				1
06	06360642	PUMPE KPL. PUMP CPL.			1			1
07	06110687	SPÆNDEBÅND RETAINING RING 15	2	2	2	2	2	2
08	06110506	SLANGE 500MM HOSE 500 MM	1	1	1	1	1	1
09	06030849	SLANGENIPPEL 3/8"XØ8 HOSE NIPPLE 3/8"X8	2	2	2	2	2	2
10	06181701		1	1	1	1	1	1
11	06030829	VANDSLANGEFORSKRURING, F/VANDTILGANG, 1" X WATER HOSE COUPLING, FOR WATER CON., 1" X 3/4"	1	1	1	1	1	1
12	06080253	LÅSERING LOCKING RING	1	1	1	1	1	1
13	06100364	VANDFILTER WATER FILTER	1	1	1	1	1	1
14	06110667	KEMISLANGE, 370 MM DETERGENT HOSE, 370 MM	1	1	1	1	1	1
15	06110494	SPÆNDEBÅND, 10-12 RETAINING RING, 10-12	1	1	1	1	1	1
16	06100389	TERMOVENTIL, VT6 G3/8" M THERMAL VALVE, VT6 G3/8" M	1	1	1	1	1	1
17	06220042	MANOMETER, 250 BAR PRESSURE GAUGE, 250/3600 BAR/PSI/EITP	1	1	1	1	1	1

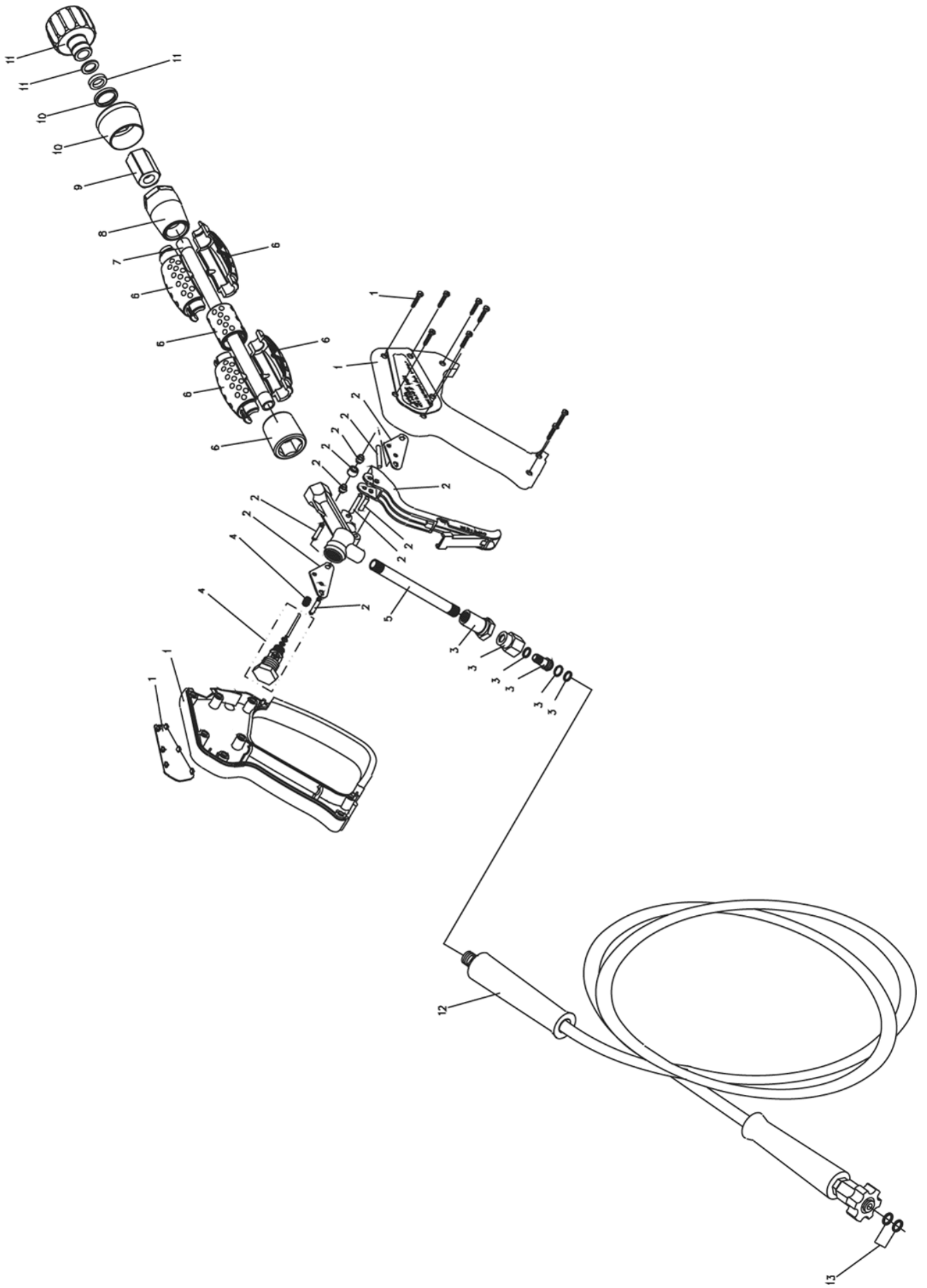
## Motor / Pumpe / Motor / Pump / Motor / Pump / Moteur/pomp

Pos.	Ref. no.	Betegnelse Description	Bezeichnung Description	G9 21-200	G9 26-170	G9 30-140	G9 21-250	G9 26-220	G9 30-200
17	06220053	MANOMETER, 0 - 300 BAR PRESSURE GAUGE, 0 - 300 BAR	MANOMETRE G830				1	1	1
18	06120579	O-RING Ø6.0X3.0 O-RING Ø6.0X3.0	O-RING Ø6.0X3.0 JOINT TORIQUE 6.0X3.0	1	1	1	1	1	1
19	06030228	90 GR. VINKEL, 1/4" 90 DEGR. ANGLE, 1/4"	90 GRAD WINKEL EV 116 B RACCORD				1	1	1
20	06030852	REDUKTIONSNIPPEL 1/4" REDUKTION NIPPEL	REDUZIERENNIPPEL RACCORD DE REDUCTEUR 1/4"	1	1				
20	06181304	FORSKRUNING, 17X30 SCREWED CONNECTION, 17X30	VERSCHRAUBUNG FÜR MANOMETER JOINT P. MANOMETRE			1	1	1	1
21	06120385	USITRING, 24X16,7X1,5 USIT RING, 24X16,7X1,5	USITRING JOINT D'ETANCHEITE G-4000	3	3	3	3	3	3
22	06030850	FORMINDSKER RØRSTUJDS REDUCER CONNECTION	REDUZIEREN VERSCHRAUBUNG JOINT DE REDUCTEUR 3/8"	1	1	1	1	1	1
23	06030757	FORSKRUNING, 3/8" SCREWED CONNECTION, 3/8"	HYDRAULIKVERSCHRAUBUNG KIT JOINT TUYAU CUIVRE +	2	2	2	2	2	2
24	06100397	BY-PASS VENTIL, KPL. BY-PASS VALVE, CPL.	VANNE BY PASS COMPL.G830A	1	1	1	1	1	1
25	06030834	VINKELNIPPEL, 3/8" ANGLE NIPPLE, 3/8"	RACCORD D'EQUERRE, 3/8"	1	1	1	1	1	1
26	06170166	FLOW SWITCH FLOW SWITCH	STROEMUNGSWAECHTER F STROEMUNGSKONTROLLE FLOW-SWITCH	1	1	1	1	1	1
27	06110598	HØJTRYKSSLANGE, DN10/400 610 MM HIGH PRESSURE HOSE, DN10/400 610 MM	HOCHDRUCKSCHLAUCH TUYAU HP SYSTEME600-610MM	1	1	1	1	1	1
28	06190062	MØTRIK, 27X10 NUT, 27X10	GENENMUTTER CONTRE-ECROU LAITON M22 X	1	1	1	1	1	1
29	06180468	AFGANGSSTUJDS, 24X52 OUTLET SOCKET, 24X52	AUSLASSSTUTZEN RACCORD DE SORTIE NV 27 X	1	1	1	1	1	1
30	06170268	REED-KONTAKT REED-SWITCH	REED CONTACTEUR, G830A	1	1	1	1	1	1



# El-komponenter / Electric components / Elektrische komponente / Composantes électrique

Pos.	Ref. no.	Betegnelse Description	Bezeichnung Description	G9 21-200	G9 26-170	G9 30-140	G9 21-250	G9-26-220	G9 30-200
01	06170293	CLIPS CLIPS	CLIPS CLIPS	4	4	4	4	4	4
02	06061540	EL-PLADE ELEC. PLATE	EL-PLATTE PLAQUE ELECTRIQUE	1	1	1	1	1	1
03	06070427	SELVSKÆRENDE SKRUE, 6X16 SELF-TAPPING SCREW, 6X16	SCHRAUBE P/K. GALV. VIS 6 X 16 TETE RONDE	4	4	4	4	4	4
04	06170291	PRINT PRINT, 400-415V50-60	UNITE DE CONTROLE,	1	1	1	1	1	1
05	06120584	PAKNING FOR EL-BOX G602A GASKET FOR ELEC. BOX	DICHTUNG F. EL-BOX JOINT DE BOITE ELECTRIQUE	1	1	1	1	1	1
06	06061541	EL-BOX ELEC. BOX	EL-BOX BOITE ELECTRIQUE	1	1	1	1	1	1
07	06070508	SELVSKÆRENDE SKRUE, 3,9X13 SELF-TAPPING SCREW, 3,9X13	SELBSTSCHNEIDENDE SCHRAUBE VIS	4	4	4	4	4	4
08	06120111	PAKÅSE, C 5-7 STUFFING BOX, C 5-7	STOPFBUCHSE PRESSE-ETOUPE CAOUTCHOUC	1	1	1	1	1	1
09	06120105	PAKÅSE, C 10-14 STUFFING BOX, C 10-14	STOPFBUCHSE KLOROPREN/SCHWARZ PRESSE-ETOUPEOIR OIR	1	1	1	1	1	1
10	06160905	SKINNE, 7,5X80 MM PLATE, 7,5X80 MM	GELEISE DIN CERCLE	1	1	1	1	1	1
11	06070805	SKRUE, 4,8X9,5 SCREW, 4,8X9,5	SCHRAUBE VIS INDESSERABLE 4,8X9,5	2	2	2	2	2	2
12	06161106	KONTAKTOR D18 400V CONTACTOR D18 400V	KONTAKTOR D18 400V CONTACTEUR D18 400V	1	1	1	1	1	1
12	06161107	KONTAKTOR D25 400V CONTACTOR D25 400V	KONTAKTOR D25 400V CONTACTEUR D25 400V	1	1	1	1	1	1
13	06161084	DREJEFBRYDER, 0-1-AUTO SWITCH, 0-1-AUTO	INTERRUPTEUR 412/452/482	1	1	1	1	1	1
14	06080280	-	-	2	2	2	2	2	2
15	06181699	-	-	1	1	1	1	1	1
16	06120082	O-RING, 16.00X2.00 O-RING, 16.00X2.00	O-RING JOINT TORIQUE	1	1	1	1	1	1
17	06080281	SKIVE NYLON Ø4,5MM WASHER NYLON Ø4,5MM	SCHEIBE NYLON Ø4,5MM	2	2	2	2	2	2
18	06080280	-	-	2	2	2	2	2	2
19	06120226	O-RING, 10.30X2.40 O-RING, 10.30X2.40	O-RING JOINT TORIQUE 10,3X2,4 70 DEGRES	1	1	1	1	1	1
20	06181702	-	RACCORD	1	1	1	1	1	1
21	06200585	-	BOUTON	1	1	1	1	1	1



## Pistol / Pistole / Pistole / Pistolet

Pos.	Ref. no.	Betegnelse Description	Bezeichnung Description	G9 21-200	G9 26-170	G9 30-140	G9 21-250	G9 26-220	G9 30-200
0	06290111	PISTOL - EGT 2600 - LANG MED SWIVEL, LYNKOBLING PISTOL - EGT 2600 - LONG W. SWIVEL, QUICK COUP.	PISTOLET EGT2600 RAC.RAPI	1	1	1	1	1	1
0	06290121	O-RINGSKIT FOR PISTOL O-RING KIT FOR PISTOL	JOINT A LEVRE .P/290111	1	1	1	1	1	1
01	06290119	PISTOLKROP KPL. PISTOL HOUSING CPL.	CORPS PISTOLET 290111	1	1	1	1	1	1
02	06290120	AFTRÆKKER KIT PULLER KIT	KIT DETENTE P/PIST.290111	1	1	1	1	1	1
03	06290122	DREJELED, KPL. SWIVEL, CPL.	JOINT TOURN.P/PIST.290111	1	1	1	1	1	1
04	06290123	VENTIL KPL. VALVE CPL.	VANNE P/PISTOLET 290111	1	1	1	1	1	1
05	06290124	TILGANGSRØR INLET PIPE	TUYAU D'ENTREE P/290111	1	1	1	1	1	1
06	06290125	KAPPEKIT CAP KIT	PROTECTION P/290111	1	1	1	1	1	1
07	06290126	FORRØR FOR PISTOL FRONT PIPE FOR PISTOL	TUBE AVANT P/PISTOL290111	1	1	1	1	1	1
08	06290127	AFSTANDSSTYKKE DISTANCE PIECE	ENTRETOISE P/PISTOL290111	1	1	1	1	1	1
09	06290128	MUFFE SOCKET	MANCHON P/PISTOL 290111	1	1	1	1	1	1
10	06290129	AFSTANDSSTYKKE DISTANCE PIECE	ENTRETOISE P/PISTOL290111	1	1	1	1	1	1
11	06290130	LYNKOBLING KPL. QUICK COUPLING CPL.	RACCORD RAPID.PIST.290111	1	1	1	1	1	1
12	06110200	HØJTRYKSSLANG DN10X10M HIGH PRESSURE HOSE, 3/8"X3/8" NIPPLE, Ø10 MM 10 M	HØHDRUCKSCHLAUCH FLEXIB.HP 10M-DIAMETRE 10	1	1	1	1	1	1
12	06110475	HØJTRYKSSLANG DN8X10M HIGH PRESSURE HOSE, 3/8"X3/8" NIPPLE, Ø8 MM 10 M	HØHDRUCKSCHLAUCH M. SCHRAUBENKUPPLUNGEN FLEXIBLE HP 10M AVEC R/V	1	1	1	1	1	1
13	06260936	PAKINGSKIT F. SKRUEKØB. GASKET KIT FOR SCREW COUPLING	DICHUNGSKIT F. SCHRAUBENKUPPLUNG KIT JOINT RACCORD VIS	1	1	1	1	1	1