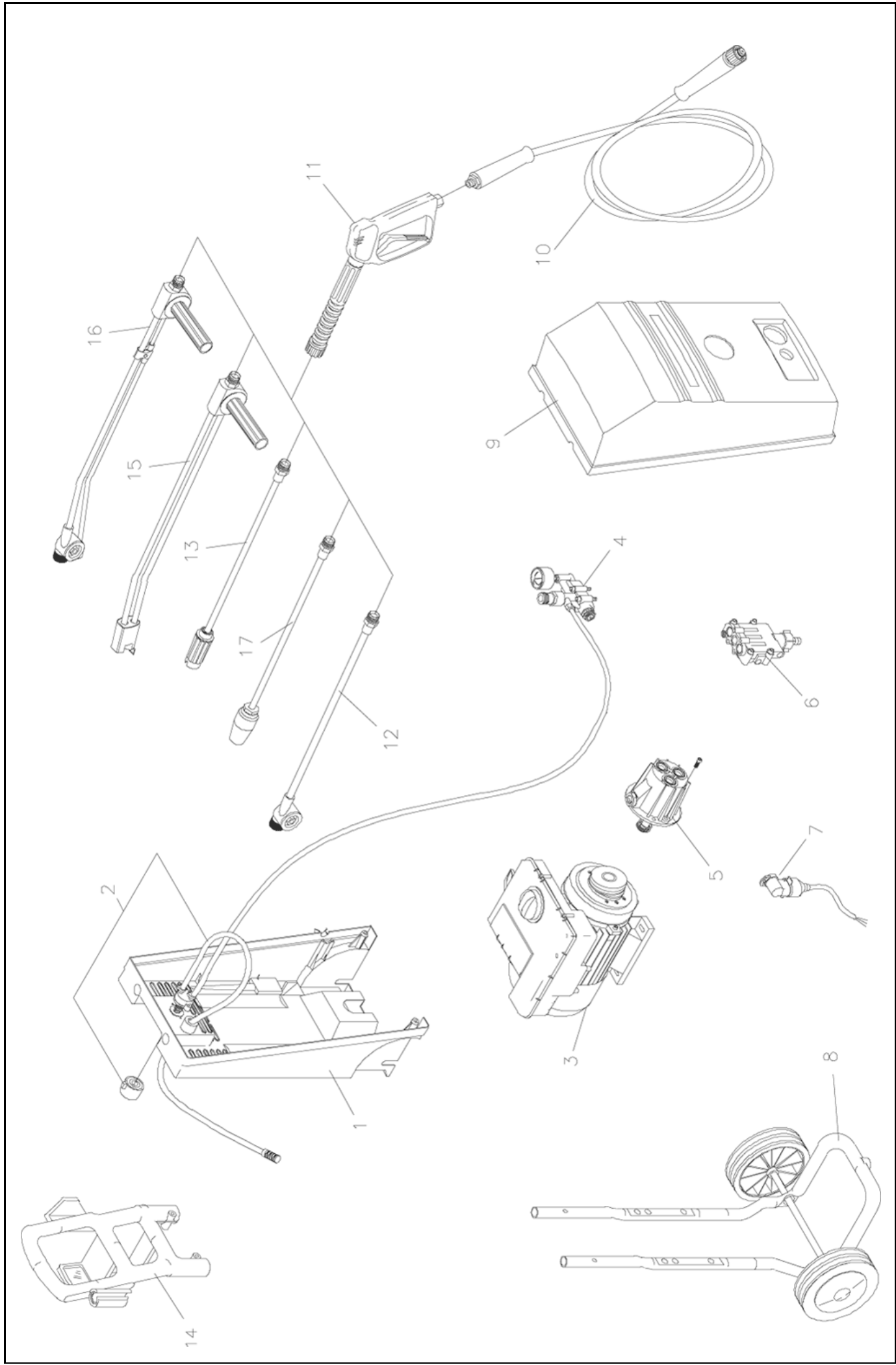

N/G-230/250/270A/240A-Hiflow

Reservedelsliste
Spare parts list
Ersatzteilliste
Liste de pièces détachées

Hovedkomponenter / Main components / Hauptkomponente / Composantes hautes	2
Karosse / Body / Karosserie / Carrosserie	5
Pumpe / Pump / Pumpe / Pomp	9
Motor / Motor / Motor / Moteur	12
EI-komponenter 230-240 -250 / Electric components / Elektrische komponente 230 - 240 - 250 / Co	15
Pistol / Pistol / Pistole / Pistolet	18
Spulerør / Lances / Lanzen / Lance	20
EI-komponenter 270 / Electric components 270 / Elektrische komponente 270 / Composantes élect	25
Pumpe / Pump / Pumpe / Pomp	27
EI-komponenter 230-240 -250 / Electric components / Elektrische komponente 230 - 240 - 250 / Co	30

Hovedkomponenter / Main components / Hauptkomponente / Composantes hautes

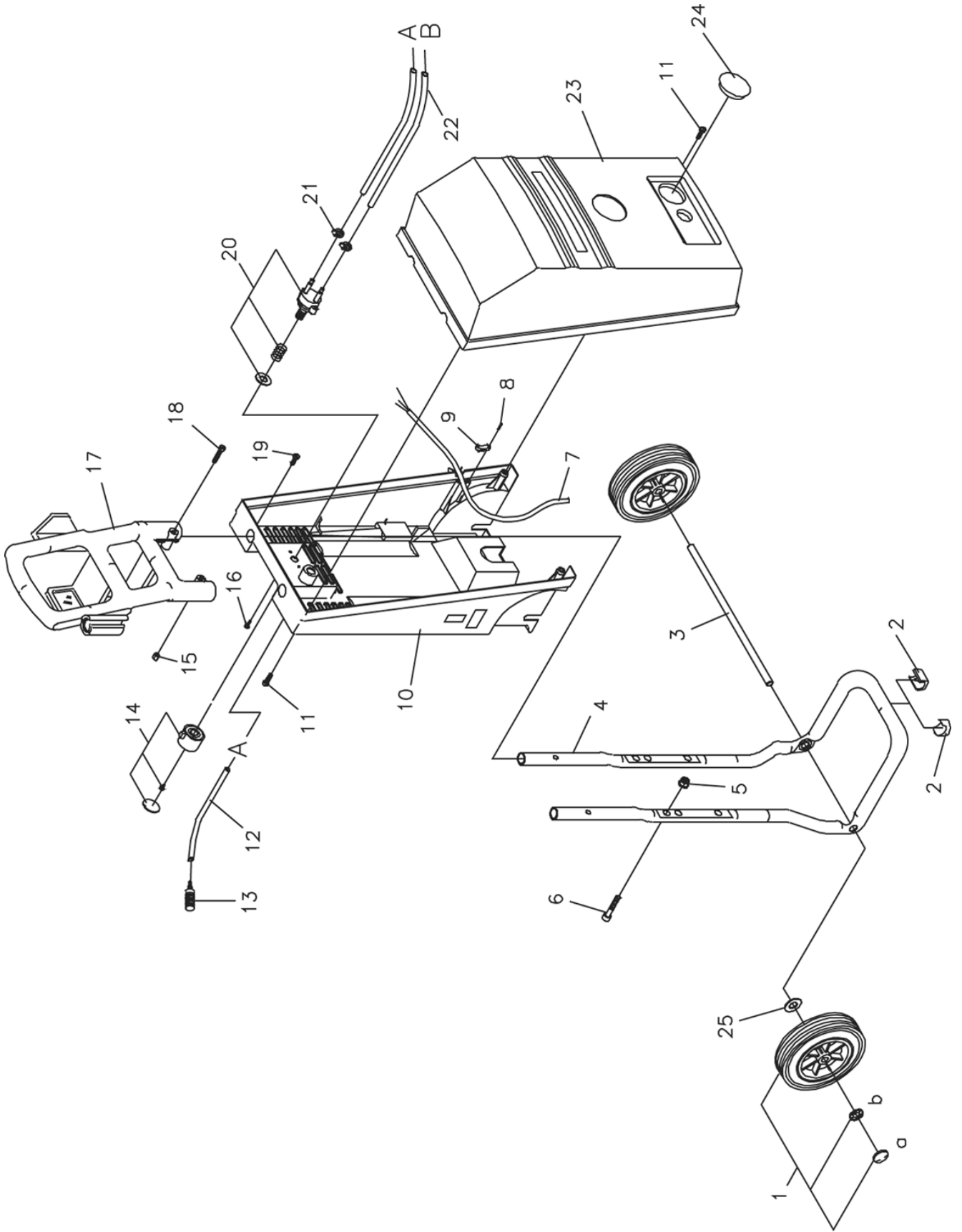


Hovedkomponenter / Main components / Hauptkomponente / Composés hautes

Pos.	Ref. no.	Betegnelse Description	Bezeichnung Description	230 A	240 A Hi- flow	250 A	270 A
01	06261913	BUNDRAMME, KPL BOTTOM FRAME, CPL.	BODENRAHMEN CADRE DE FOND CPL.	1	1	1	1
02	06261903	KEMIKIT, KPL DETERGENT KIT, CPL.	REINIGUNGSMITTELKIT KIT DE DETERGENT P/G 230	1	1	1	1
03	06261910	MOTOR M. ELBOKS, G230 1X230V-50HZ MOTOR W. ELECTRIC BOX, G230 1X230V-50HZ	MOTOR M. ELEKTROKABINE MOTEUR 230 AV/BOITE ELECT	1	1		
03	06261911	MOTOR M. ELBOKS INCL. STARTUDSTYR, G230 1X230V- MOTOR W. EL. BOX INCL. START EQP, G230 1X230V-	MOTOR EINSCHL. ELEKTROSCHALTKASTEN MOTEUR AVEC BOITE ELECTRI	1			
03	06261912	MOTOR M. ELBOKS, G250 1X230V-50HZ MOTOR W. ELECTRIC BOX, G250 1X230V-50HZ	MOTOR M. ELEKTROKABINE MOTEUR 250 AV/BOITE ELECT			1	
03	06261975	MOTOR M. ELBOKS, G230 1X100V-50HZ MOTOR W. ELECTRIC BOX, G230 1X100V-50HZ	MOTOR EINSCHL. ELEKTROSCHALTKASTEN MOTEUR AVEC BOITE ELECTRIQUE, G230 1X100V-50HZ	1			
03	06261976	MOTOR M. ELBOKS, G230 1X100V-60HZ MOTOR W. ELECTRIC BOX, G230 1X100V-60HZ	MOTOR EINSCHL. ELEKTROSCHALTKASTEN MOTEUR AVEC BOITE ELECTRIQUE, G230 1X100V-60HZ	1			
03	06261977	MOTOR M. ELBOKS, G250 1X230V-60HZ MOTOR W. ELECTRIC BOX, G250 1X230V-60HZ	MOTOR EINSCHL. ELEKTROSCHALTKASTEN MOTEUR N 250 60 HZ			1	
03	06261978	MOTOR M. ELBOKS, G270 3XX230V-50HZ MOTOR W. ELECTRIC BOX, G270 3XX230V-50HZ	MOTOR EINSCHL. ELEKTROSCHALTKASTEN MOTEUR 270 3X230 AV/BOITE				1
03	06261979	MOTOR M. ELBOKS, G270 3X400/415V-50HZ MOTOR W. ELECTRIC BOX, G270 3X400/415V-50HZ	MOTOR EINSCHL. ELEKTROSCHALTKASTEN MOTEUR 270 3X380 AV/BOITEELECTRIQUE				1
03	06262295	MOTOR M. ELBOKS, 1X110V-50HZ MOTOR W. ELECTRIC BOX, 1X110V-50HZ	MOTEUR AVEC BOITE ELECTRIQUE, 1X110V-50HZ	1			
04	06261906	TRYKMANIFOLD, KPL., 230 PRESSURE MANIFOLD, CPL., 230	DRUCKMANIFOLD COLLECTEUR DE PRESSION CP	1			
04	06261907	TRYKMANIFOLD, KPL., 250 PRESSURE MANIFOLD, CPL., 250	DRUCKMANIFOLD COLLECTEUR DE PRESSION CP			1	
04	06261981	TRYKMANIFOLD, KPL., 270 PRESSURE MANIFOLD, CPL., 270	DRUCKMANIFOLD COLLECTEUR DE PRESSION CP				1
04	06262303	TRYKMANIFOLD, KPL., G200A PORT PRESSURE MANIFOLD, CPL., G200A PORT	COLLECTEUR DE PRESSION, CPL., G200A PORT		1		
05	06261909	STEMPELSTYR, KPL., 230/250 PISTON GUIDE, CPL., 230/250	KOLBENFÜHRUNG GUIDE PISTON CPL. G230/25	1	1	1	
05	06261982	STEMPELSTYR, KPL., 270 PISTON GUIDE, CPL., 270	KOLBENFÜHRUNG GUIDE PISTON COMPLETG270				1
06	06261908	TOPSTYKKE, KPL., 230/250 CYLINDER HEAD, CPL., 230/250	ZYLINDERKOPF CULASSE DE CYLINDRE CPL.	1	1	1	
06	06261983	TOPSTYKKE, KPL., 270 CYLINDER HEAD, CPL., 270	ZYLINDERKOPF CULASSE DE CYLINDRE CPL.				1
07	06261905	MIKROSWITCH, KPL., G230/250 MICRO SWITCH, CPL., G230/250	MIKROSCHALTER MICRO CONTACT CPL. G230/2	1	1	1	1
08	06261904	STØTTEBEN, KPL. SUPPORTING LEG	STUETZEBEIN BIPIED CPL. G230/250	1	1	1	1
09	06240270	KAROSSE GRÅ, N-200 BODY GREY, N-200	CARROSSERIE N 230/250/270	1		1	1

Hovedkomponenter / Main components / Hauptkomponente / Composés hautes

Pos.	Ref. no.	Betegnelse Description	Bezeichnung Description	230 A	240 A Hi- flow	250 A	270 A
09	06240279	KAROSSE GRØN, G-200 BODY GREEN, G-200	CARROSSERIE G 200	1	1	1	1
10	06110476	HØJTRYKSSLANG, DN8X8M HIGH PRESSURE HOSE, DN8X8M	HÖCHDRUCKSCHLAUCH M. SCHRAUBENKUPPLUNGEN FLEXIBLE HP 8 M AVEC R/V	1	1	1	1
10	06110626	HØJTRYKSSLANG DN8X8 HIGH PRESSURE HOSE, 3/8"X3/8" NIPPLE, Ø8 MM 8 M	HÖCHDRUCKSCHLAUCH FLEXIBLE REMPL.P/110476				1
11	06290057	PISTOL - ST 1100 - LANG MED SWIVEL, 22MM KOBLING PISTOL - ST 1100-LONG W. SWIVEL, 22 MM COUP.	PISTOLE PISTOLET	1	1	1	1
12	06261887	TURBO LASER M/ SKRUE - 500 MM, 3.5 TURBO LASER - SCREW - 500 MM, 3.5	TURBO LASER TURBO LASER G250			1	
13	06290058	VAR.SPREDEDEYSE Ø1,12 SORT LANCE WITH ADJ. NOZZLE - SCREW - 600 MM, 3.5	MULTIDÛSE LANCE J.VARIA250=290174			1	
13	06290059	VAR.SPREDEDEYSE Ø1,05 GRÅ LANCE WITH ADJ. NOZZLE - SCREW - 600 MM, 3.0	MULTIDÛSE LANCE J.VARIA230=290173	1			
13	06290109	VARIABEL SPREDEDEYSE ADJUSTABLE NOZZLE	LANCE JET VARIABLE 1.25		1		
14	06200458	KØREHANDTAG OPERATION HANDLE	FAHRHANDGRIFF POIGNEE	1	1	1	1
15	06261973	SPECTRUM M/ TRYKREG. - SKRUE - 650 MM, 140 SPECTRUM W. PRES. REG. - SCREW - 650 MM, 140	SPECTRUM DÛSE LANCE SPECTRUM				1
15	06261989	SPECTRUM M/ TRYKREG. - SKRUE - 600 MM, 145 SPECTRUM W. PRES. REG. - SCREW - 650 MM, 145	SPECTRUM DÛSE LANCE SPECTRUM		1		
16	06261883	TURBO LASER M/ TRYKREG. - SKRUE - 600 MM, 3.0 TURBO LASER W. PRES. REG. - SCREW - 600 MM, 3.0	TURBO LASER LANCE REGLABLE TURBO	1			
17	06262110	ROTO JET M/ SKRUE, 600 MM, 3.5 ROTO JET - SCREW - 600 MM, 3.5	LANCE ROTO JET 035	1			
17	06262111	ROTO JET LANSE 040 600MM ROTO JET - SCREW - 600 MM, 4.0	LANCE ROTO JET 040			1	1
4 - 6	06360196	PUMPE KPL., G230 PUMP CPL., G230	PUMPE POMPE COMPLETE N/G 230	1			
4 - 6	06360197	PUMPE KPL., G250 PUMP CPL., G250	PUMPE POMPE COMPLETE N/G 250			1	
4 - 6	06360583	PUMPE KPL., G270 PUMP CPL., G270	MOTOR/PUMPE POMPE COMPLETE G 270				1



Karosserie / Body / Carrosserie

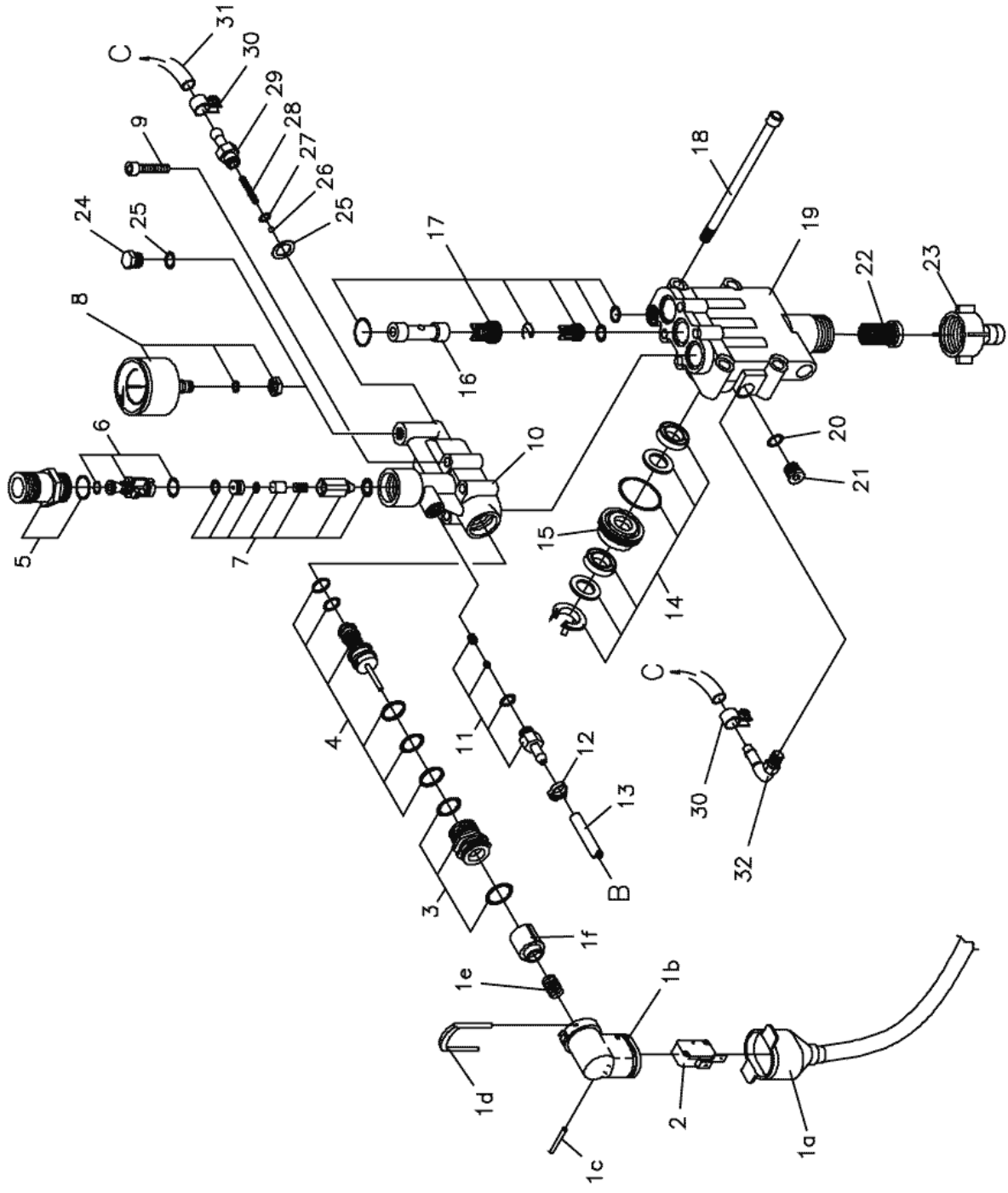
Pos.	Ref. no.	Betegnelse Description	Bezeichnung Description	230 A	240 A Hi- flow	250 A	270 A
0	06160399	CEE INDUSTRISTIK 5POL.16A "AUS" PLUG, 10 A	ELEKTROSTECKER CT 516/6H 5-POLIG *N*S*SF PRISE ELECTRIQUE CT 516/6H 5 POLAI.				2
0	06301097	TYPESKILT, 45X65 MM TYPE PLATE, 45X65 MM	TYPESCHILD GRAU AUTOCOLLANT G-480	1	1	1	1
0	06301619	TRANSFER "ADVARSEL" TRANSFERS "WARNING"	TRANSFERS WAHRNUNG G-880 AUTOCOL."AVERTISSEMENT"	1	1	1	1
0	06301886	TRANSFER "230A" TRANSFERS "230A"	AUTOCOLLANT G 230	1			
0	06301887	TRANSFER "250A" TRANSFERS "250A"	AUTOCOLLANT 250A			1	
0	06301888	TRANSFER "270A" TRANSFERS "270A"	AUTOCOLLANT G 270				1
0	06301889	TRANSFER "NILFISK ADVANCE 230A" TRANSFERS "NILFISK ADVANCE 230A"	AUTOCOLLANT NILFISK 230	1			
0	06301890	TRANSFER "NILFISK ADVANCE 250A" TRANSFERS "NILFISK ADVANCE 250A"	AUTOCOL.NILFISK/ADVANCE250			1	
0	06301891	TRANSFER "NILFISK ADVANCE 270A" TRANSFERS "NILFISK ADVANCE 270A"	AUTOCOLLANT "NILFISK ADVANCE 270A"				1
0	06301922	TRANSFERS GERNI TRANSFERS GERNI	KLEBSTREIFEN GERNI AUTOCOLLANT GERNI	1	1	1	1
0	06301993	TRANSFER G240A TRANSFERS G240A	KLEBSTREIFEN G240A AUTOCOLLANT G240A		1		
0	06301995	TRANSFER , HIGH-FLOW TRANSFERS , HIGH-FLOW	KLEBSTREIFEN HI-FLOW AUTOCOLLANT , HIGH-FLOW		1		
01	06130214	HJUL, Ø160/Ø12 WHEEL, Ø160/Ø12	RAD Ø160/Ø12 ROUE G230DIA. 160/DIA.12 DIA. 160/DIA.12	2	2	2	2
01A	06130215	NAVKAPSEL SORT HUB CAP BLACK	ACHSKAPPE ENJOLIVEUR	2	2	2	2
01B	06280195	LÅSERING, Ø12 LOCKING RING, Ø12	ROND DE BLOQUAGE 12MM MAN	2	2	2	2
02	06200534	AFSTANDSSTYKKE, Ø28 DISTANCE PIECE, Ø28	ENTRETOISE, □28	1	1	1	1
02	06200535	DUPSKO, Ø25X30 CAP, Ø25X30	PATTE SUPPORT G 260PX	1	1	1	1
03	06040187	HJULAKSEL, Ø12X336 WHEEL AXLE, Ø12X336	RADACHSE ARBRE DE ROUE G230/250	1	1	1	1
04	06051009	STØTTEBEN, Ø25X21795 SUPPORTING LEG, Ø25X21795	ROHRRAHMEN BIPIED CHASSIS	1	1	1	1
05	06080247	MØTRIK, M8 NUT, M8	MUTTER ECROU POUR 230/250	4	4	4	4
06	06070477	SKRUE, 8X50 SCREW, 8X50	IMBUSSBOLZEN, GALV. BOULON A TETE CYLINDR. GALV.	4	4	4	4
07	06161008	ELKABEL INCL. STIK , 10A *AUS 3X1,0X5,5M ELECTRIC CABLE INCL. PLUG, 10A *AUS 3X1,0X5,5M	KABEL MICRO-SWITCH3X1,0 5,5M P 3X1,0 5,5M P 10A AU	1			

Karosserie / Body / Carrosserie

Pos.	Ref. no.	Betegnelse Description	Bezeichnung Description	230 A	240 A Hi- flow	250 A	270 A
07	06161009	ELKABEL INCL. STIK , SCHUCO 3X1.5X5.5M ELECTRIC CABLE INCL. PLUG, SCHUCO 3X1.5X5.5M	KABEL CABLE AVEC PRISE MOULEE3X3X1.5 5.5M G EUR	1	1	1	
07	06161010	ELKABEL INCL. STIK , *DK 3X1.5X5.5M ELECTRIC CABLE INCL. PLUG, *DK 3X1.5X5.5M	KABEL CABLE 3X1.5 5.5M G DK	1		1	
07	06161011	ELKABEL INCL. STIK , *UK 3X1.5X5.5M ELECTRIC CABLE INCL. PLUG, *UK 3X1.5X5.5M	KABEL CABLE	1	1	1	
07	06161013	ELKABEL INCL. STIK , 15A *AUS ELECTRIC CABLE INCL. PLUG, 15A *AUS	KABEL CABLE 3X1.5 5.5M P 15A AU			1	
07	06262294	KABEL EXCL. STIK, 100V50/60HZ 3X2.2 15M CABLE EXCL. PLUG, 100V50/60HZ 3X2.2 15M	CABLE EXCL. PRISE ELEC., 100V50/60HZ 3X2.2 15M	1			
07	06637430	TILG.KABEL U STIK CABLE NO PLUG	KABEL OHNE STECKER CABLE EXCL. PRISE				1
08	06070862	SKRUE, 3X20 SCREW, 3X20	PLASTIKTITE PLASTITE	2	2	2	2
09	06200470	SPÆNDESTYKKE RECTANGULAR WASHER	SPANNBÜGEL ANNEAU DE SERRAGE PA	1	1	1	1
10	06240268	BUNDRAMME BOTTOM FRAME	BODENRAHMEN CHASSIS	1	1	1	1
11	06070861	SKRUE, 6X20 SCREW, 6X20	SCHRAUBEN VIS	4	4	4	4
12	06110620	KEMISLANGE, Ø9/6X750 DETERGENT HOSE, Ø9/6X750	REINIGUNGSMITTELSCHLAUCH TUYAU DETERGENT G230/250	1	1	1	1
13	06100316	FILTER FOR KEMI DETERGENT FILTER	REINIGUNGSMITTELFILTER ASPIRATION DETERGENT	1	1	1	1
14	06261769	PLASTKNAPKIT BUTTON KIT, PLASTIC	KIT F. PLASTIK KNOPF KIT BOUTON PLASTIQUE	1	1	1	
14	06262560	PLASTKNAP KIT BUTTON KIT, PLASTIC	KIT F. PLASTIK KNOPF KIT POUR BOUTON				1
15	06080245	MØTRIK, M6 NUT, M6	MUTTER ECROU	2	2	2	2
16	06070772	SKRUE, 3.5X20 SCREW, 3.5X20	SCHRAUBE VIS 3,5X20	2	2	2	2
17	06200458	KØREHANDTAG OPERATION HANDLE	FAHRHANDGRIFF POIGNEE	1	1	1	1
18	06070864	SKRUE, M6X35 SCREW, M6X35	SCHRAUBE VIS M6X35	2	2	2	2
19	06070491	SKRUE, 5X12 SCREW, 5X12	TAP TITE P/K VIS	2	2	2	2
20	06211201	PLASTVENTIL KOMPLET PLASTIC DETERGENT VALVE CPL.	PLASTIK REINIGUNGSMITTELVENTIL KPL VANNE DETERGENT PLASTIQUE	1	1	1	1
21	06110494	SPÆNDEBÅND, 10-12 RETAINING RING, 10-12	SCHLAUCHSCHELLE 8- FRETTE	2	2	2	2
22	06110621	KEMISLANGE, Ø9/6X650 DETERGENT HOSE, Ø9/6X650	REINIGUNGSMITTELSCHLAUCH TUYAU DETERGENT POMPEG230G230/250	1	1	1	1

Karosse / Body / Karosserie / Carrosserie

Pos.	Ref. no.	Betegnelse Description	Bezeichnung Description	230 A	240 A Hi- flow	250 A	270 A
23	06240270	KAROSSE GRÅ, N-200 BODY GREY, N-200	CARROSSERIE N 230/250/270	1		1	1
23	06240279	KAROSSE GRØN, G-200 BODY GREEN, G-200	CARROSSERIE G 200	1	1	1	1
24	06150184	AFDÆKNINGSPROP, Ø50,3X10 COVER PLUG, Ø50,3X10	CAPUCHON DE COUVERTURE, □50,3X10		1		
25	06200159	BACK-UP RING BACK-UP RING	STUETZRING JPI 1217 ANNEAU D'ETALEMENT	2	2	2	2

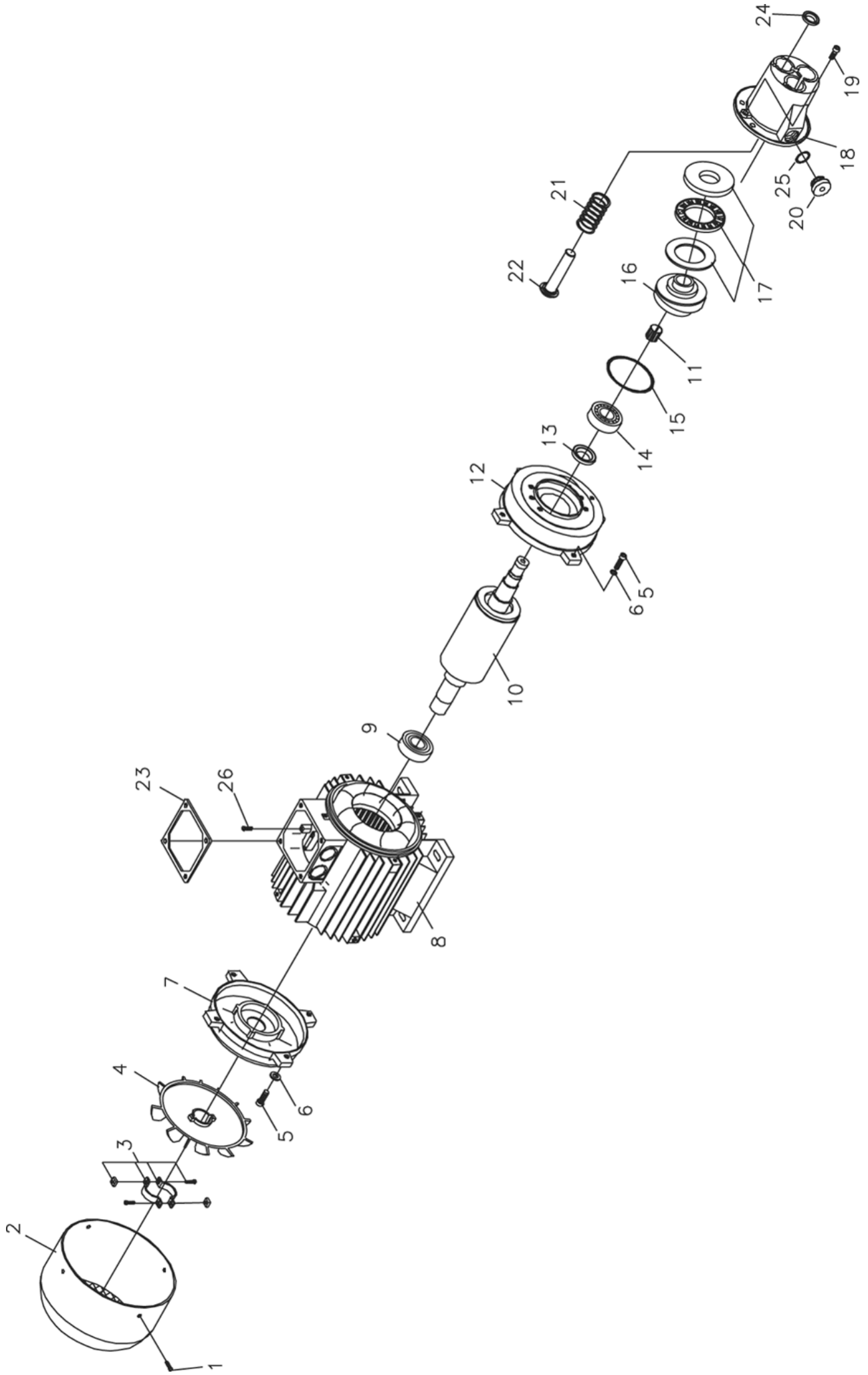


Pumpe / Pump / Pumpe / Pompe / Pomp

Pos.	Ref. no.	Betegnelse Description	Bezeichnung Description	230 A	240 A Hi- flow	250 A	270 A
0	06261898	KIT O-RINGE/PUMPE KIT O-RINGS/PUMP	O-RINGKIT F. PUMPE KIT JOINT TONIQUE	1	1		
0	06345025	PUMPEOLIE, 1 L PUMP OIL, 1 L	PUMPEOEL 10/40 HUILE - 1 LITRE	1	1		
01	06261900	HUS FOR MIKROSWITCH, KPL. HOUSING FOR MICRO SWITCH, CPL.	GEHÄUSE F. MIKROSWALTER CORPS MICRO CONTACT	1	1		
01C	06200471	STIFT, Ø3X22,5 PIN, Ø3X22,5	STIFT CHEVILLE NOIRE PA Ø3X22,5	1	1		
01D	06200469	LASEBØJLE LOCK FITTINGS	SCHLOSS JOINT D'ARRRET NOIR PA	1	1		
02	06161007	MICROSWITCH MARQUARD MICRO SWITCH	MIKROSWALTER MICRO CONTACT/MARQUARD MARQUARD	1	1		
03	06211647	FORSKRUNING SCREWED CONNECTION	PFROPFEN RACCORD	1	1		
04	06211648	OMLØBSVENTIL, KPL. BY-PASS VALVE, CPL.	UMLAUFVENTILE VANNE BY-PASS	1	1		
04	06262527	OMLØBSVENTIL 100V 50/60HZ BY-PASS VALVE 100V50/60HZ	UMLAUFVENTILE 100V50/60HZ VANNE BY-PASS 100V50/60HZ	1			
05	06211649	AFGANGSSTUJS OUTLET SOCKET	ABLAUFNIPPEL M. O-RING RACCORD DE DEPARTINT TORIINT TORIQUE	1	1		
06	06211650	INJEKTORDYSE INJECTOR NOZZLE	INJEKTORDUESE GICLEUR D'INJECTEUR N 230	1			
06	06211651	INJEKTORDYSE INJECTOR NOZZLE	INJEKTORDÜSE GICLEUR INJECTEUR		1		
07	06211658	TRYKAFLASTNINGSVENTIL VALVE FOR PRESSURE RELIEF, CPL., G230/250/270	DRUCKENTLASTUNGSVENTIL KPL CLAPET ANTI RETOUR	1	1		
08	06211653	MANOMETER, KPL. PRESSURE GAUGE, CPL.	MANOMETER MANOMETRE 2300/2500/2700	1			
09	06070863	UNBRACO SKRUE, M6X35 ALLEN SCREW, M6X35	INBUSSSCHLÜSSEL VIS A TETE CYLINDRIQUE	4	4		
10	06211654	TRYKMANIFOLD, KPL. PRESSURE MANIFOLD, CPL.	DRUCKMANIFOLD COLLECTEUR DE PRESSION L.	1	1		
11	06261484	KIT FOR KUGLEKONTRAVENTIL KIT FOR NON-RETURN VALVE	KIT F. RUECKSCHLAGVENTIL KIT VAN.ANTIRET.G300/400	1	1		
12	06110494	SPÆNDEBÅND, 10-12 RETAINING RING, 10-12	SCHLAUCHSCHELLE 8- FRETTE	1	1		
13	06110621	KEMISLANGE, Ø9/6X650 DETERGENT HOSE, Ø9/6X650	REINIGUNGSMITTELSCHLAUCH TUYAU DETERGENT POMPEG230G230/250	1	1		
14	06261896	KIT FOR MANCHET KIT FOR CUP	MANSCHEITENKIT KIT COUPELLE	1	1		
14+17	06261897	KIT FOR PUMPE, 230/250/270 KIT FOR PUMP, 230/250/270	PUMPENKIT KIT COUPELLES - CLAPETS	1	1		
15	06181386	MANCHETHOLDER, Ø35X14,5 CUP HOLDER, Ø35X14,5	MANSCHEITENHALTER ANNEAU DE COUPELLE	3	3		

Pumpe / Pump / Pumpe / Pomp

Pos.	Ref. no.	Betegnelse Description	Bezeichnung Description	230 A	240 A Hi- flow	250 A	270 A
16	06180632	AFSTANDSSTYKKE, Ø16X30 DISTANCE PIECE, Ø16X30	ZWISCHENSTUECK ENTRETOISE	1	1		
17	06261899	KIT FOR VENTIL, 230/250/270 KIT FOR VALVE, 230/250/270	VENTILKIT KIT CLAPET	1	1		
18	06070867	UNBRACO SKRUE, M8X130 ALLEN SCREW, M8X130	INBUSSCHLÜSSEL VIS A TETE CYLINDRIQUE	4	4		
19	06181399	TOPSTYKKE, 230/250 CYLINDER HEAD, 230/250	ZYLINDERKOPF CUSASSE	1	1		
20	06120446	O-RING, 7,66X1,78 70 O-RING, 7,66X1,78 70	O-RING JOINT TORIQUE	3	3		
21	06200460	RØRPROP, 1/8" PLUG FOR PIPE, 1/8"	ROHRPROPfen BOUCHON A VIS 1/8"	3	3		
22	06100368	FILTER FILTER	WASSERFILTER FILTRE D'EAU	1	1		
23	06030814	SLANGEFORSKRUNING, 3/4-1/2 HOSE SCREWED CONNECTION, 3/4-1/2	SCHLAUCHVERSCHRÄUBUNG JOINT DE TUYAU	1	1		
24	06180998	RØRPROP, 1/8" PLUG FOR PIPE, 1/8"	ROHRPROPfen BOUCHON DE TUBENE EXTERIENE EXTERIEUR		1		
25	06120497	USITRING, 1/8" USIT RING, 1/8"	JOINT USIT, 1/8"	1	1		
26	06280086	STÄLKUGLE, Ø4,5 STEEL BALL, STAINLESS, Ø4,5	STAHLKUGEL ROSTFREI BILLE	1			
28	06280157	TRYKFJEDER, 0,35X3,3X18X6 PRESSURE SPRING, 0,35X3,3X18X6	DRUCKFEDER RESSORT DE PRESSION	1			
29	06181602	UDLFTINGSSTUDES SOCKET FOR AIR ESCAPE	ENTLÜFTUNGSSTUTZ RACCORD DE PURGE	1			
30	06110677	SPÆNDEBAND, Ø12 RETAINING RING, Ø12	FRETTE, □12	1			
31	06110679	OMLØBSSLANGE 1/4"X230, 1/4"X230 HOSE, 1/4"X230	9999, 1/4"X230	1			
32	06030840	VINKELSLANGENIPP, 1/8"XØ6 HOSE NIPPLE ANGLE 1/8"X6	SCHLAUCHNIPPEL RACCORD DE TUYAU	1			

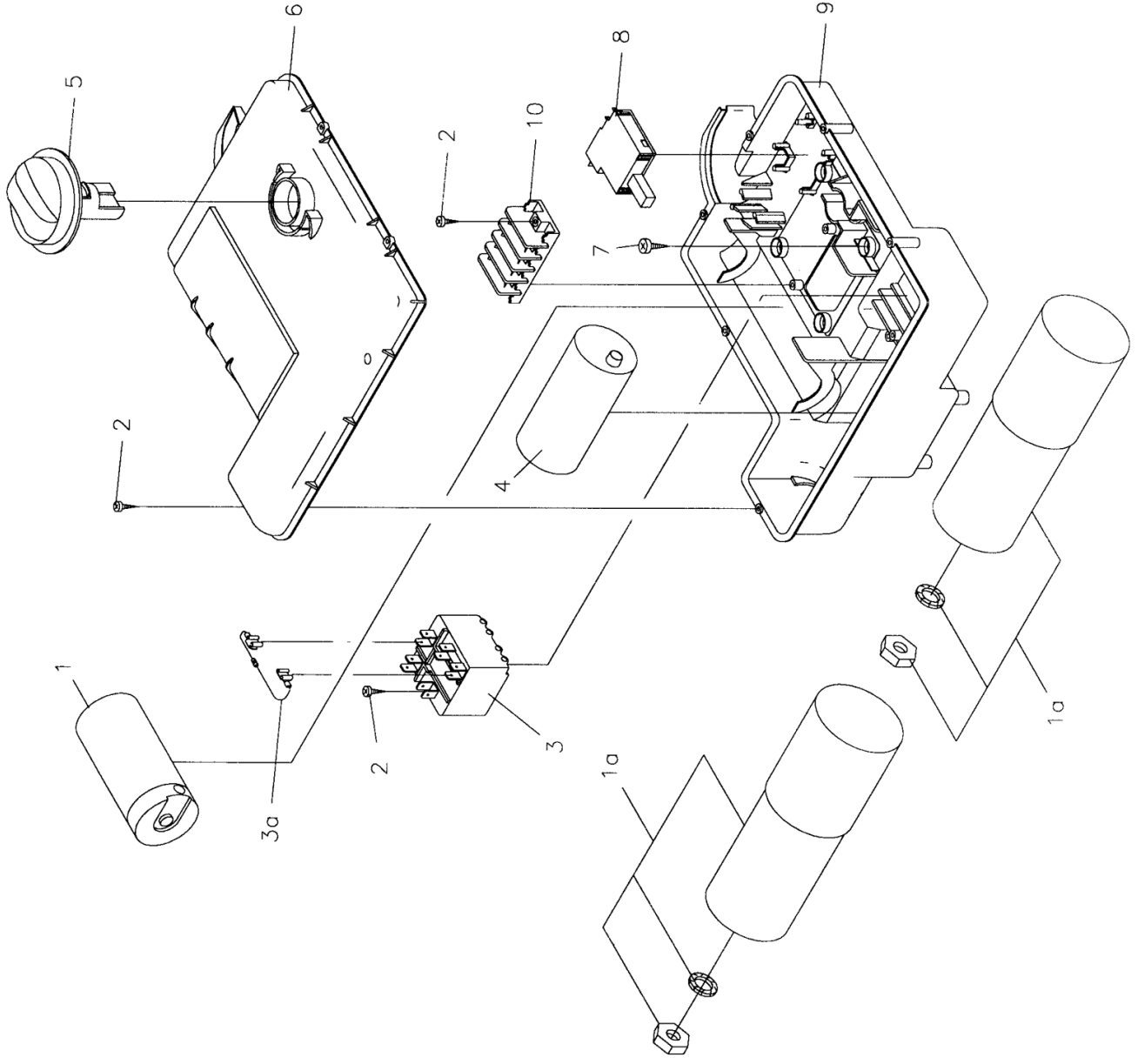


Motor / Moteur / Moteur

Pos.	Ref. no.	Betegnelse Description	Bezeichnung Description	230 A	240 A Hi- flow	250 A	270 A
01	06070778	SKRUE, 3,9x9,5 SCREW, 3,9x9,5	VIS, 3,9x9,5	4		4	4
02	06270335	VENTILATIONSDEKSEL FAN COVER	VENTILATORDECKEL CARTER DE PROTECTION	1		1	1
03	06270338	KOBLING, KPL. COUPLING, CPL.	ACCOUPLLEMENT CPL.	1		1	1
04	06270336	VENTILATORVINGE FAN BLADE	HELICE G 230 - 250 - 270	1		1	1
05	06070796	SÆTSKRUE GALV M6X20 SCREW 6X20	SCHRAUBE 6X20 VIS D'ARRRET GALVANISEE	8		8	8
06	06080016	SPÆNDESKIVE, 6 MM TENSION DISC, 6 MM	FEDERSKEIBE, GALV. RONDELLE DE SERRAGE	8		8	8
07	06270337	MOTORFLANGE MOTOR FLANGE	BRIDE DE MOTEUR	1		1	1
1-16	06360575	MOTOR INCL. SKRÅKIVE, G230 1X230V 50HZ MOTOR INCL. CAM DISC, G230 1X230V 50HZ	MOTOR EINSCHL. BOGENSCHEIBE MOTEUR POMPE N/G 230	1			
1-16	06360576	MOTOR INCL. SKRÅKIVE, G250 1X230V 50HZ MOTOR INCL. CAM DISC, G250 1X230V 50HZ	MOTOR EINSCHL. BOGENSCHEIBE MOTEUR AV/DISQUE INCLINE		1		
1-16	06360584	MOTOR INCL. SKRÅKIVE, G230 1X100V 50HZ MOTOR INCL. CAM DISC, G230 1X100V 50HZ	MOTOR EINSCHL. BOGENSCHEIBE MOTEUR INCL. DISQUE INCL., G230 1X100V 50HZ	1			
1-16	06360585	MOTOR INCL. SKRÅKIVE, G230 1X100V 60HZ MOTOR INCL. CAM DISC, G230 1X100V 60HZ	MOTOR EINSCHL. BOGENSCHEIBE MOTEUR INCL. DISQUE INCL., G230 1X100V 60HZ	1			
1-16	06360586	MOTOR INCL. SKRÅKIVE, G250 1X230V 60HZ MOTOR INCL. CAM DISC, G250 1X230V 60HZ	MOTOR EINSCHL. BOGENSCHEIBE MOTEUR INCL. DISQUE INCL., G250 1X230V 60HZ		1		
1-16	06360587	MOTOR INCL. SKRÅKIVE, G270 3X230/400/415V 50HZ MOTOR INCL. CAM DISC, G270 3X230/400/415V 50HZ	MOTOR EINSCHL. BOGENSCHEIBE MOTEUR + DISQUE INCLINE				1
1-16	06360601	MOTOR INCL. SKRÅKIVE, G230 1X110V 50HZ MOTOR INCL. CAM DISC, G230 1X110V 50HZ	MOTEUR INCL. DISQUE INCL., G230 1X110V 50HZ	1			
1-16	06360602	MOTOR INCL. SKRÅKIVE, 1X230V-50HZ MOTOR INCL. CAM DISC, 1X230V-50HZ	MOTEUR INCL. DISQUE INCL., 1X230V-50HZ		1		
1-26	06360577	MOTOR/PUMPE, KPL., G230 1X230V-50HZ MOTOR/PUMP, CPL., G230 1X230V-50HZ	MOTOR/PUMPE MOTEUR/POMPE, CPL., G230 1X230V-50HZ	1			
1-26	06360578	MOTOR/PUMPE, KPL., G250 1X230V-50HZ MOTOR/PUMP, CPL., G250 1X230V-50HZ	MOTOR/PUMPE MOTEUR/POMPE, CPL., G250 1X230V-50HZ			1	
1-26	06360579	MOTOR/PUMPE, KPL., G230 1X100V-50HZ MOTOR/PUMP, CPL., G230 1X100V-50HZ	MOTOR/PUMPE MOTEUR/POMPE, CPL., G230 1X100V-50HZ	1			
1-26	06360580	MOTOR/PUMPE, KPL., G230 1X100V-60HZ MOTOR/PUMP, CPL., G230 1X100V-60HZ	MOTOR/PUMPE MOTEUR/POMPE, CPL., G230 1X100V-60HZ	1			
1-26	06360581	MOTOR/PUMPE, KPL., G250 1X230V-60HZ MOTOR/PUMP, CPL., G250 1X230V-60HZ	MOTOR/PUMPE MOTEUR/POMPE N/G 250			1	
1-26	06360582	MOTOR/PUMPE, KPL., G270 3X230/400/415V- 50HZ MOTOR/PUMP, CPL., G270 3X230/400/415V- 50HZ	MOTOR/PUMPE MOTEUR/POMPE, CPL., G270 3X230/400/415V- 50HZ				1
1-26	06360600	MOTOR/PUMPE, KPL., G230 1X110V-50HZ MOTOR/PUMP, CPL., G230 1X110V-50HZ	MOTEUR/POMPE, CPL., G230 1X110V-50HZ	1			

Motor / Motor / Moteur

Pos.	Ref. no.	Betegnelse Description	Bezeichnung Description	230 A	240 A Hi- flow	250 A	270 A
11	06280187	TOLERANCERING, 18X16X18 TOLERANCE RING, 18X16X18	LEHRRING ANNEAU DE TOLERANCE TE18X	1	1	1	1
13	06120552	SIMMERRING SEALING RING	BAGUE OBTURATEUSE P/HUILE	1	1	1	1
14	06140064	KUGLELEJE BALL BEARING	BUTEE 230/250/270	1	1	1	1
15	06120268	O-RING, Ø74,00X2,00 O-RING, Ø74,00X2,00	O-RING JOINT TORIQUE DIAM 7,4 X	1	1	1	1
16	06181396	SKRÅSKIVE, 8,40 CAM DISC, 8,40	BOGENSCHEIBE DISQUE INCLINÉ 8,40GR 8,40GR	1			
16	06181397	SKRÅSKIVE, 9,85 CAM DISC, 9,85	BOGENSCHEIBE DISQUE INCLINE		1	1	
16	06181431	SKRÅSKIVE, 6,7 CAM DISC, 6,7	DISQUE INCLINÉ, 6,7	1			
16	06181432	SKRÅSKIVE, 5,50 CAM DISC, 5,5	DISQUE INCLINÉ, 5,5	1			
16	06181433	SKRÅSKIVE, 8,30 CAM DISC, 8,30	DISQUE INCLINÉ, 8,30			1	
16	06262238	SKRÅSKIVE 12 GR CAM DISC, 12,00	DISQUE INCLINE POUR 270				1
17	06260843	KIT FOR TRYKLEJE, JET/MINI-HOT KIT FOR THRUST BEARING, JET/MINI-HOT	BOGENSCHEIBELAGERKIT KIT P/PALIER BUTEE 2300/ 2500	1	1	1	1
17	06261984	KIT FOR TRYKLEJE KIT FOR THRUST BEARING, 270	KIT F. DRUCKLAGER KIT P/PALIER BUTEE P/2700				1
18	06181405	STEMPELSTYR, 200 PISTON GUIDE, 200	KOLBENFÜHRUNG GUIDE PISTON	1	1	1	1
19	06070452	UNBRACO SKRUE, M8X20 ALLEN SCREW, M8X20	IMBUSSBOLZEN, GALV. INTRAVIS 8X20 GALV. GALV.	2	2	2	2
20	06181419	PROP, Ø24X12 PLUG, Ø24X12	BOUCHON 2300/2500/2700	1	1	1	1
21	06280194	TILHOLDER JEDER PRESSURE SPRING	RESSORT D/PRESSION 250/270	3	3	3	3
22	06211655	STEMPEL, KPL. PISTON, CPL.	KOLBEN PISTON	3	3	3	3
22	06211679	STEMPEL G-270 KPL. PISTON, CPL.	KOLBEN KPL. PISTON G 270 =REF 211655				3
23	06120542	PAKNING GASKET	DICHTUNG F. LEITERKASSE JOINT P. BOITE A BORNES	1	1	1	1
24	06120540	OLJETÆTNINGSRING, Ø14X22X7 OIL SEALING RING, Ø14X22X7	ÖLDICHTUNGSRING JOINT D'HUILE 14X22X7/6 14X22X7/6	3	3	3	3
25	06120381	O-RING, 18,00X2,00 N70 O-RING, 18,00X2,00 N70	O-RING ¥18X2	1	1	1	1
26	06070868	SKRUE, 3,9X9,5 SCREW, 3,9X9,5	VIS, 3,9X9,5	1	1	1	1



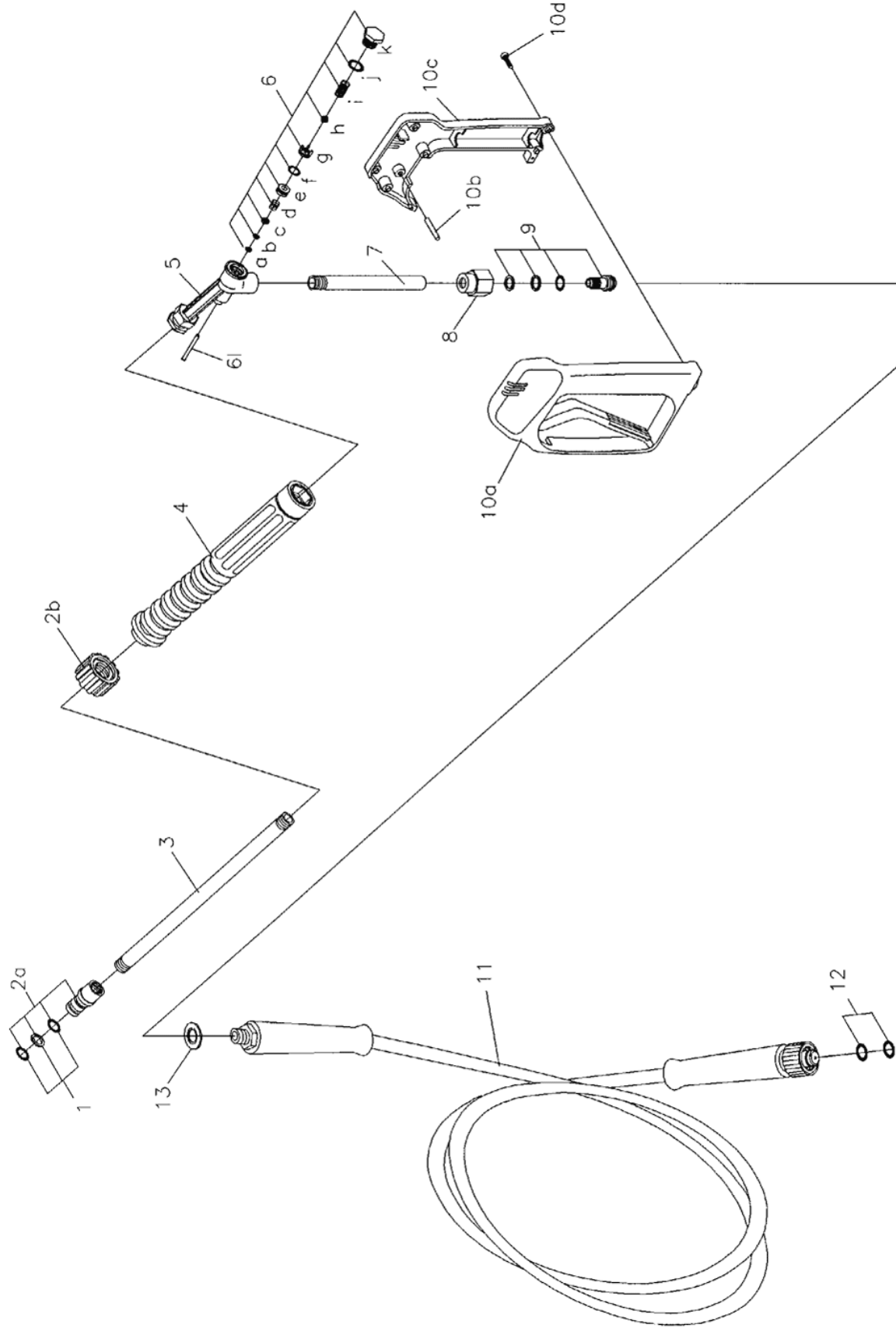
El-komponenter 230-240 -250 / Electric components / Elektrische komponente 230 - 240 - 250 / Composantes électrique 230 - 240 - 250

Pos.	Ref. no.	Betegnelse Description	Bezeichnung Description	230 A	240 A Hi- flow	250 A	270 A
01	06270326	DRIFTSKONDENSATOR, 50YF WORKING CAPACITOR, 50MF450-50	BETRIEBSKONDENSATOR CONDENSATEUR	1			
01	06270341	DRIFTSKONDENSATOR, 55MFOR 450-55 WORKING CAPACITOR, 55MFOR 450-55	ANLASSKONDENSATOR CONDENSATEUR DE MARCHE	1	1		
01	06270346	DRIFTSKONDENSATOR, 40MFOR 450 WORKING CAPACITOR, 40MFOR 450	CONDENSATEUR DE MARCHE, 40MFOR 450	2			
01A	06270350	STARTKONDENSATOR, 100MFOR 250 STARTING CAPASITOR, 100MFOR 250	CONDENSATEUR DE DEMARRAGE, 100MFOR 250	2			
02	06070866	SKRUE, 3,5X12 SCREW, 3,5X12	SCHRAUBE VIS POUR 230/250	9	9	9	9
03	06262054	STARTRELÆ, 1X230V-50HZ - (10A) STARTING RELAY, 1X230V-50HZ - (10A)	RELAIS DE MISE EN MARCHE	1	1		
03	06262056	STARTRELÆ, 1X100/110V-50HZ STARTING RELAY, 1X100/110V-50HZ	RELAIS DE DEMARRAGE, 1X100/110V-50HZ	1			
03	06262528	STARTRELÆ KPL 100V 60HZ STARTING RELAY 100V 60HZ	ANLASSRELAIS 100V 60HZ RELAIS DE MARRAGE 100/60	1			
03A	06270330	MODSTAND, 33 KOHM 1W RESISTANCE, 33 KOHM 1W	R-SISTANCE P. EQUIPEMENT	1			
03A	06270431	MODSTAND 2,2 KOHM 3W 110V MODSTAND 2,2 KOHM 110V RESISTENCE 2,2 KOHM 110V RESISTENCE 2,2 KOHM 110V	WIEDERSTAND 2,2 KOHM 110V RESISTENCE 2,2 KOHM 110V RESISTENCE 2,2 KOHM 110V RESISTENCE 2,2 KOHM	1			
04	06270325	DRIFTSKONDENSATOR 32YF WORKING CAPACITOR, 1X230V-50HZ-(10A)	BETRIEBSKONDENSATOR CONDENSATEUR	1	1		
04	06270326	DRIFTSKONDENSATOR, 50YF WORKING CAPACITOR, 50MF450-50	BETRIEBSKONDENSATOR CONDENSATEUR	1			
04	06270341	DRIFTSKONDENSATOR, 55MFOR 450-55 WORKING CAPACITOR, 55MFOR 450-55	ANLASSKONDENSATOR CONDENSATEUR DE MARCHE	1			
04	06270346	DRIFTSKONDENSATOR, 40MFOR 450 WORKING CAPACITOR, 40MFOR 450	CONDENSATEUR DE MARCHE, 40MFOR 450	1			
05	06200467	START/STOP KONTAKT START/STOP SWITCH	DREHKNOPF BOUTON EXTERIEUR	1	1	1	1
06	06200465	LÅG FOR EL-BOX COVER FOR ELECTRIC BOX	DECKEL FÜR ELEKTROKASTEN COUVERCLE DE BOITE	1	1	1	1
07	06070883	SKRUE, 4,8X13 SCREW, 4,8X13	VIS, 4,8X13	4	4	4	4
08	06161004	AFBRYDER, 1X230V 50HZ SWITCH, 1X230V 50HZ	SCHALTER INTERRUPTEUR DIJONCTEUR1,1,8 KW	1	1	1	
08	06161005	AFBRYDER, 1X230V 50HZ SWITCH, 1X230V 50HZ	SCHALTER INTERRUPTEUR2,3 KW 2,3 KW				1
08	06161023	AFBRYDER, 1X100/110V-50/60HZ SWITCH, 1X100/110V-50/60HZ	INTERRUPTEUR N 230 -60 HZ	1			
09	06200464	ELKASSEBUND BOTTOM FOR ELECTRIC BOX	BODEN F. ELEKTROKASTEN FOND DU COFFRET	1	1	1	1
09	06200486	ELKASSEBUND P86 100V ELECTRIC BOX BOTTOM 100V	EL-KASTEN 100V BOITE ELECTRIQ. FOND 100V	1			

El-komponenter 230-240 -250 / Electric components 230 - 240 - 250 / Composantes électrique 230 - 240 - 250

Pos.	Ref. no.	Betegnelse Description	Bezeichnung Description	230 A	240 A Hi- flow	250 A	270 A
10	06161006	TERMINALBLOK, 4P TERMINAL STRIP, 4P	TERMINALBLOK BLOQUE TERMINALE	1	1		
10	06161026	TERMINALBLOK, 5P TERMINAL STRIP, 5P	BARETTE DE JONCTION, 5P				1
11	06160508	KONTAKTOR 12A 24V/50-60HZ CONTACTOR , 12A 24V/50-60HZ 230V	SCHUETZ CONTACTEUR CI12 220V/50-6				1
11	06160824	KONTAKTOR, 12A 3X400/415V-50HZ CONTACTOR , 12A 3X400/415V-50HZ	SCHUETZ CONTACTEUR 400V - CI12				1

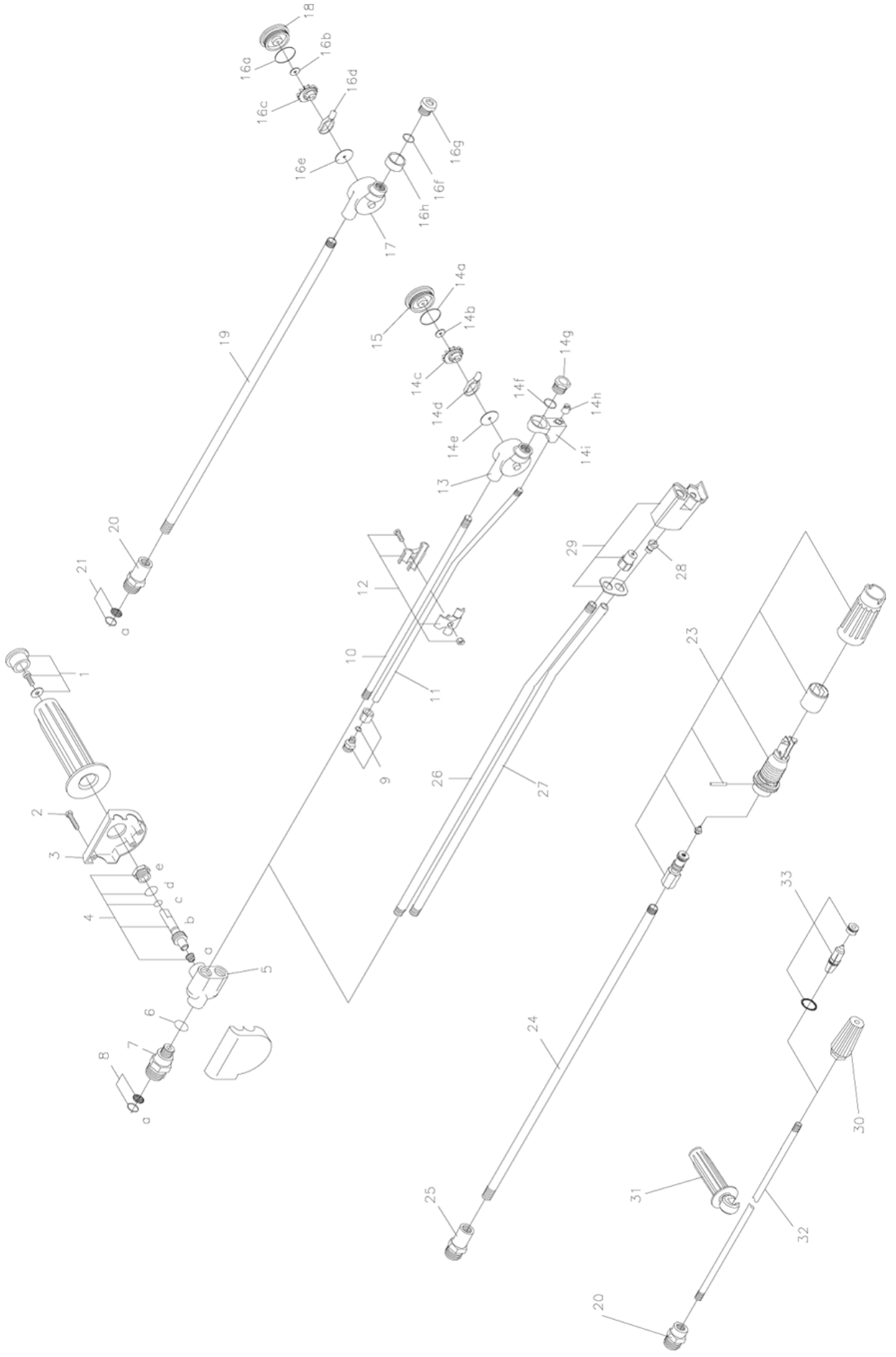
Pistol / Pistol / Pistole / Pistolet



Pistol / Pistol / Pistole / Pistolet

Pos.	Ref. no.	Betegnelse Description	Bezeichnung Description	230 A	240 A Hi- flow	250 A	270 A
0	06290057	PISTOL - ST 1100 - LANG MED SWIVEL, 22MM KOBLING PISTOL - ST 1100-LONG W. SWIVEL, 22 MM COUP.	PISTOLE PISTOLET	1	1	1	1
01	06261547	PAKNINGSKIT F. SKRUEKOB. GASKET KIT FOR SCREW COUPLING	SCHRAUBKUPPLUNG KIT P. JOINTS TORIQUES RACC.A.VIS	1	1	1	1
02	06290062	SKRUEKOBLING SCREW COUPLING	SCHRAUBENKUPPLUNG RACCORD A VIS	1	1	1	1
03	06290066	FØRØR FOR PISTOL FRONT PIPE FOR PISTOL	VORDERROHR F. PISTOLE TUBE PISTOLET	1	1	1	1
04	06290067	KAPPE CAP	ABDECKUNG F. PISTOLE PROTECTION P/PISTOL290057	1	1	1	1
05	06290068	PISTOLKROP PISTOL HOUSING	GEHÅUSE F. PISTOLE CORPS DE PISTOLET	1	1	1	1
07	06290069	TILGANGSRØR INLET PIPE	EINLASSROHR F. PISTOLE TUYAU D ENTREE G230/250/	1	1	1	1
08	06290070	DREJELED SWIVEL	DREHGELENK RACCORD PISTOLET	1	1	1	1
09	06290061	PAKNINGSKIT FOR DREJELED GASKET KIT FOR SWIVEL	SERVICEKIT F. DREHGELENK KIT JOINT RACCORD	1	1	1	1
10	06290063	PISTOLHANDTAG, KPL. PISTOL HANDLE, CPL.	PISTOLENGEHÅUSE POIGNEE DU PISTOL.290057	1	1	1	1
11	06110363	SLANGEØPHÆNG FORKROMET HOSE SUSPENSION, CHROMATED STEEL,	SCHLAUCHAUFHÄANGUNG SUPPORT POUR FLEXIBLE	1			
11	06110476	HØJTRYKSSLANGE, DN8X8M HIGH PRESSURE HOSE, DN8X8M	HOCHDRUCKSCHLAUCH M. SCHRAUBENKUPPLUNGEN FLEXIBLE HP 8 M AVEC RV	1	1	1	
11	06110626	HØJTRYKSSLANGE DN8X8 HIGH PRESSURE HOSE, 3/8"X3/8" NIPPLE, Ø8 MM 8 M	HOCHDRUCKSCHLAUCH FLEXIBLE REMPL.P/110476				1
12	06260936	PAKNINGSKIT F. SKRUEKOB. GASKET KIT FOR SCREW COUPLING	DICHTUNGSKIT F. SCHRAUBENKUPPLUNG KIT JOINT RACCORD VIS	1	1	1	1
13	06120385	USITRING, 24X16,7X1,5 USIT RING, 24X16,7X1,5	USITRING JOINT D'ETANCHEITE G-4000	1	1	1	1
6A-L	06261926	SERVICEKIT FOR PISTOL SERVICE KIT FOR PISTOL	SERVICEKIT F. PISTOLE KIT DE SERVICE POUR	1	1	1	1

Spulerør / Lances / Lanzen / Lance



Spulerør / Lances / Lanzen / Lance

Pos.	Ref. no.	Betegnelse Description	Bezeichnung Description	230 A	240 A Hi- flow	250 A	270 A
01	06260232	HANDTAGSKIT F. SPULERØR HANDLE KIT	HANDGRIFFKIT F. DOPPELLANZE KIT REPAR.P/POIGNEE LANCE	1		1	1
02	06070479	SKRUE, 4X20 SCREW, 4X20	SCHNEIDSCHRAUBE, SCHWARZZINK VIS	3		3	3
03	06200097	PYNTEDÆKSEL F. VENTILHUS COVER F. VALVE HOUSING	STAUWKAPPE F. VENTILGEHAE COUVERCLEOR. D. VAN OR. D. VAN	1		1	1
04	06260860	VENTILSPINDEL KIT VALVE SPINDLE KIT	VENTILSPINDELKIT F. DRUCKREGELUNG KIT REGLAGE PRESSION DOUB	1		1	1
04C	06120006	O-RING, 6,75X1,78 O-RING, 6,75X1,78	O-RING JOINT TORIQUE MAT 4470	1		1	1
04D	06120010	O-RING, 13,1X1,6 O-RING, 13,1X1,6	O-RING JOINT TORIQUE MAT 4470	1		1	1
04E	06190245	MØTRIK NUT	MUTTER F. VENTIL ECROU POUR VANNE DOUB.LAN	1		1	1
05	06211078	VENTILHUS VALVE HOUSING	VENTILGEHAEUSE, KPL. CULASSE LANCE DOUBLE ET	1		1	1
06	06120188	O-RING, 10X2 O-RING, 10X2	O-RING JOINT TORIQUE	1		1	1
07	06030484	SKRUEKOBLING 1/4 UD.V. SCREW COUPLING ROTATABLE, 1/4"	SCHR.KUPPLUNG DREHBAR F.DOPPELLANZE ACCOUPL. VIS TOURNANT DBL LANCE DOUBLE	1		1	1
08	06100332	FILTER FOR TURBO LASER FILTER FOR TURBO LASER	FILTER F. TURBO LASER M. O-RING FILTRE TURBO LASER	1		1	1
08A	06120139	O-RING, 10X1 O-RING, 10X1	O-RING JOINT SPY JET	1		1	1
09	06030527	BRYSTNIPPEL, 8X1/4" BREAST NIPPLE, 8X1/4"	GEWINDESTUECK RACCORD	1		1	1
1-15	06261461	TURBO LASER M/ TRYKREG. - SKRUE - 600 MM, 4.5+ TURBO LASER W. PRES. REG. - SCREW - 600 MM, 4.5+	TURBO LASER 600 MM TURBO LASER 600MM G-310/4		1		
1-15	06261874	TURBO LASER M/ TRYKREG. - SKRUE - 600 MM, 3.5 TURBO LASER W. PRES. REG. - SCREW - 600 MM, 3.5	TURBO LASER TURBO-LASER 600MM			1	
1-15	06261883	TURBO LASER M/ TRYKREG. - SKRUE - 600 MM, 3.0 TURBO LASER W. PRES. REG. - SCREW - 600 MM, 3.0	TURBO LASER LANCE REGLABLE TURBO	1			
1-15	06261961	TURBO LASER M/ TRYKREG. - SKRUE - 600 MM, 4.0+ TURBO LASER W. PRES. REG. - SCREW - 600 MM, 4.0+	TURBO LASER TURBO LASER N/G 270	1			1
1-15	06261996	TURBO LASER, 600 MM -100V/ 50-60HZ TURBO LASER, 600 MM -100V/ 50-60HZ	TURBO LASER TURBO LASER	1			
1-8,	06261958	SPECTRUM M/ TRYKREG. - SKRUE - 650 MM, EXCL. SPECTRUM W. PRES. REG. - SCREW - 650 MM,	SPECTRUM OHNE DÜSE - 650 MM SPECTRUM SANS GICLEUR - 650 MM	1		1	1
1-8,	06261973	SPECTRUM M/ TRYKREG. - SKRUE - 650 MM, 140 SPECTRUM W. PRES. REG. - SCREW - 650 MM, 140	SPECTRUM DÜSE LANCE SPECTRUM				1
1-8,	06261985	SPECTRUM M/ TRYKREG. - SKRUE - 650 MM, 130 SPECTRUM W. PRES. REG. - SCREW - 650 MM, 130	SPECTRUM DÜSE LANCE SPECTRUM	1			
1-8,	06261986	SPECTRUM M/ TRYKREG. - SKRUE - 650 MM, 135 SPECTRUM W. PRES. REG. - SCREW - 650 MM, 135	SPECTRUM DÜSE LANCE SPECTRUM				1

Spulerør / Lances / Lanzen / Lance

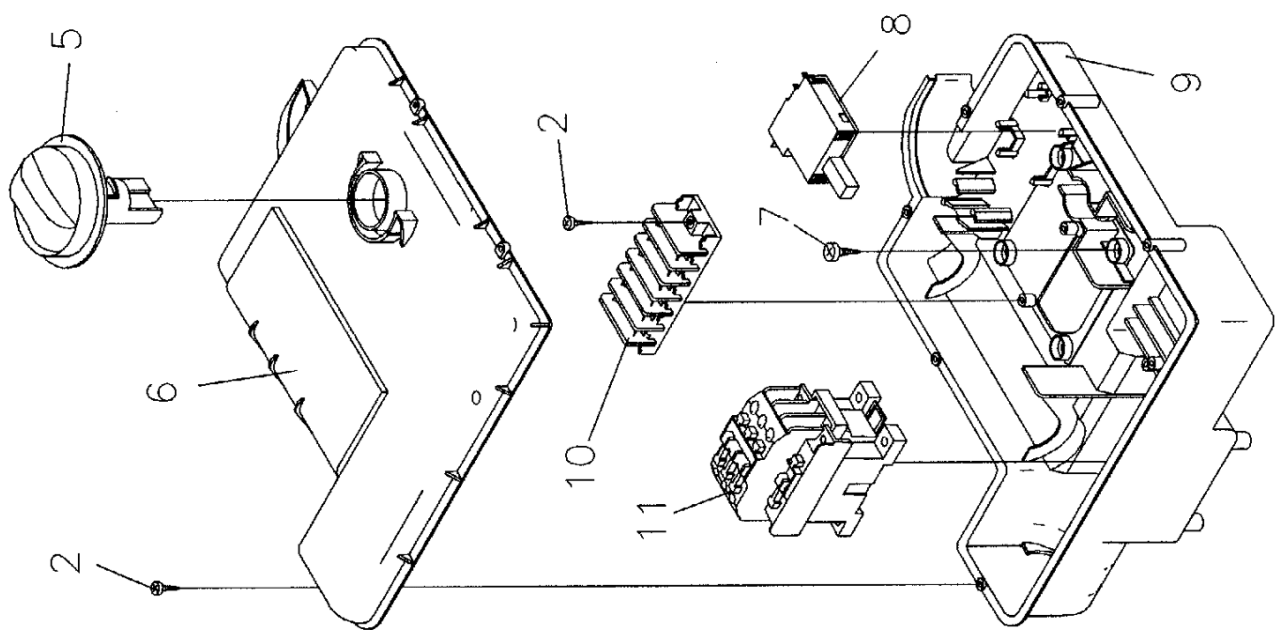
Pos.	Ref. no.	Betegnelse Description	Bezeichnung Description	230 A	240 A Hi- flow	250 A	270 A
1-8,	06261989	SPECTRUM M/ TRYKREG. - SKRUE - 600 MM, 145 SPECTRUM W. PRES. REG. - SCREW - 650 MM, 145	SPECTRUM DÜSE LANCE SPECTRUM	1			
10	06050841	SPULERØR LIGE, Ø13X1,5X586 LANCE STRAIGHT, Ø13X1,5X586	LANZE GERADE TURBO LASER LANCE DROITE TURBO LASER	1	1	1	1
11	06050842	KEMIRØR 15 GR. BUK , Ø8X1X622 DETERGENT PIPE 15 DEG., Ø8X1X622	REI.MITTLEROHR 15 GR. VERB. F. T. L. TUYAU POUR LANCESER, 15 DSER, 15 DEGRES	1		1	1
12	06261130	BESLAG FOR TURBO LASER FITTINGS FOR TURBO LASER	BESCHLAG F. TURBO LASER ROHR ARMATURE POUR TURBO LASER TUYAU	1		1	1
13	06261646	HUS FOR TURBO LASER, Ø2,0 HOUSING FOR TURBO LASER, Ø2,0	GEHAUSE F. TURBO LASER CORPS P.TURBO LASER 2.0	1		1	1
14	06261459	TURBO LASER KIT, 4.5+ TURBO LASER KIT, 4.5+	SERVICEKIT F. TURBO LASER KIT POUR TURBO LASER		1		
14	06261875	TURBO LASER KIT, 3.5 TURBO LASER KIT, 3.5	SERVICEKIT F. TURBO LASER KIT TURBO 250/2500			1	
14	06261884	TURBO LASER KIT (230/240V), 3.0 TURBO LASER KIT (230/240V), 3.0	SERVICEKIT F. TURBO LASER KIT DE SERVICE P. TURBO-L	1			
14	06261963	TURBO LASER KIT, 4.0+ TURBO LASER KIT, 4.0+	KIT TURBO 270				1
14	06261997	SERVICEKIT FOR TURBO LASER, 100V/ 50-60HZ SERVICE KIT FOR TURBO LASER, 100V/ 50-60HZ	KIT DE SERVICE P. TURBO-L	1			
14A	06120544	O-RING, 36.0X1,78 O-RING, 36.0X1,78	JOINT TORIQUE	1		1	1
14F	06120282	O-RING, 14X1,78 O-RING, 14X1,78	O-RING JOINT TORIQUE 14 X 1,78	1		1	1
14H	06180533	DYSE, Ø10X12 NOZZLE, Ø10X12	DUESE GICLEUR DIA. 10X12	1		1	1
15	06180936	LAG FOR TURBO LASER COVER FOR TURBO LASER	DECKEL F. TURBO LASER, BEARBEITET COUVER.P.TURBO LASER	1		1	1
16	06261893	TURBO LASER KIT (ENK. RØRLANSE) (230/240V), 3.0 TURBO LASER KIT (SINGLE LANCE) (230/240V), 3.0	SERVICEKIT F. TURBO LASER KIT TURBO	1			
16-21	06261887	TURBO LASER M/ SKRUE - 500 MM, 3.5 TURBO LASER - SCREW - 500 MM, 3.5	TURBO LASER TURBO LASER G250			1	
16-21	06261888	TURBO LASER M/ SKRUE - 500 MM, 3.0 TURBO LASER - SCREW - 500 MM, 3.0	TURBO LASER TURBO LASER G230	1			
16A	06120544	O-RING, 36.0X1,78 O-RING, 36.0X1,78	JOINT TORIQUE	1		1	
16F	06120282	O-RING, 14X1,78 O-RING, 14X1,78	O-RING JOINT TORIQUE 14 X 1,78	1		1	
16H	06200476	PLASTRING PLASTIC RING	PLASTIKRING F. TURBO LASER ANNEAU EN PLAST. P. TURBO LASER	1			1
17	06261646	HUS FOR TURBO LASER, Ø2,0 HOUSING FOR TURBO LASER, Ø2,0	GEHAUSE F. TURBO LASER CORPS P.TURBO LASER 2.0	1			1
18	06180936	LAG FOR TURBO LASER COVER FOR TURBO LASER	DECKEL F. TURBO LASER, BEARBEITET COUVER.P.TURBO LASER	1			1

Spulerør / Lances / Lanzen / Lance

Pos.	Ref. no.	Betegnelse Description	Bezeichnung Description	230 A	240 A Hi- flow	250 A	270 A
19	06051012	SPULERØR LIGE, Ø13X1,5X450 LANCE STRAIGHT, Ø13X1,5X450	LANZE F. TURBO LASER LANCE P. TURBO LASER	1		1	
20	06030485	SKRUEKOBLING, 1/4" INDV. SCREW COUPLING, 1/4"	SCHRAUBENKUPPLUNG, NICHT DREHBAR ACCOUPL. VIS 1/4 INT.NT NT	1		1	
20,	06262110	ROTO JET M/ SKRUE, 600 MM, 3.5 ROTO JET - SCREW - 600 MM, 3.5	LANCE ROTO JET 035	1			
20,	06262111	ROTO JET LANCE 040 600MM ROTO JET - SCREW - 600 MM, 4.0	LANCE ROTO JET 040			1	1
20,	06262112	ROTO JET LANCE 045 600MM ROTO JET - SCREW - 600 MM, 4.5	LANCE ROTO JET 045		1		
21	06100332	FILTER FOR TURBO LASER FILTER FOR TURBO LASER	FILTER F. TURBO LASER M. O-RING FILTRE TURBO LASER			1	
21A	06120139	O-RING, 10X1 O-RING, 10X1	O-RING JOINT SPY JET	1		1	
23	06261927	KIT FOR VARIABEL SPREDEDYSE KIT FOR ADJUSTABLE NOZZLE	KIT F. SPRÜHDÜSE KIT POUT BUSE VARIABLE	1			
23	06261928	KIT FOR VARIABEL SPREDEDYSE KIT FOR ADJUSTABLE NOZZLE	KIT F. SPRÜHDÜSE KIT BUSE VARIABLE G-250			1	
23-25	06262301	SPULERØR M/ VAR. SPREDEDYSE-SKRUE-450MM, 4.5 LANCE WITH ADJ. NOZZLE - SCREW - 450 MM, 4.5	LANCE A/BUSE JET V=290109		1		
23-25	06290058	VAR. SPREDEDYSE Ø1,12 SORT LANCE WITH ADJ. NOZZLE - SCREW - 600 MM, 3.5	MULTIDÜSE LANCE J.VARIA250=290174			1	
23-25	06290059	VAR. SPREDEDYSE Ø1,05 GRÅ LANCE WITH ADJ. NOZZLE - SCREW - 600 MM, 3.0	MULTIDÜSE LANCE J.VARIA230=290173	1			
24	06290072	SPULERØR LIGE, VAR LANCE STRAIGHT, VAR	ROHR F. REGULIERBARE DÜSE LANCE DROITE, VAR	1		1	
25	06290071	SKRUEKOBLING SCREW COUPLING	VERSCHRAUBUNG F. REGULIERBARE DÜSE RACCORD AVIS	1		1	
29	06261964	SPECTRUM KIT, 130 SPECTRUM KIT, 130	SPECTRUM KIT KIT SPECTRUM 230	1			
29	06261966	SPECTRUM KIT, 140 SPECTRUM KIT, 140	SPECTRUM KIT KIT DE REPARATION				1
29	06261967	SPECTRUM KIT, 145 SPECTRUM KIT, 145	SPECTRUM KIT KIT SPECTRUM 401/		1		
30	06262132	ROTO JET DYSE KPL., 3.5 ROTO JET NOZZLE CPL., 3.5	GICLEUR ROTO CPL. 3.5	1		1	
30	06262133	ROTO JET DYSE KPL., 4.0 ROTO JET NOZZLE CPL., 4.0	GICLEUR ROTO CPL. 4.0			1	1
30	06262134	ROTO JET DYSE KPL., 4.5 ROTO JET NOZZLE CPL., 4.5	GICLEUR ROTO CPL. 4.5		1		
31	06260365	HANDGREB TIL ROT. BØRSTER OG ENKELT LANSERØR, HANDLE FOR ROTATING BRUSHES AND SINGLE	HANDGRIFF POIGNEE DE MAINTIEN LANCE	1		1	1
32	06050841	SPULERØR LIGE, Ø13X1,5X586 LANCE STRAIGHT, Ø13X1,5X586	LANZE GERADE TURBO LASER LANCE DROITE TURBO LASER	1		1	1

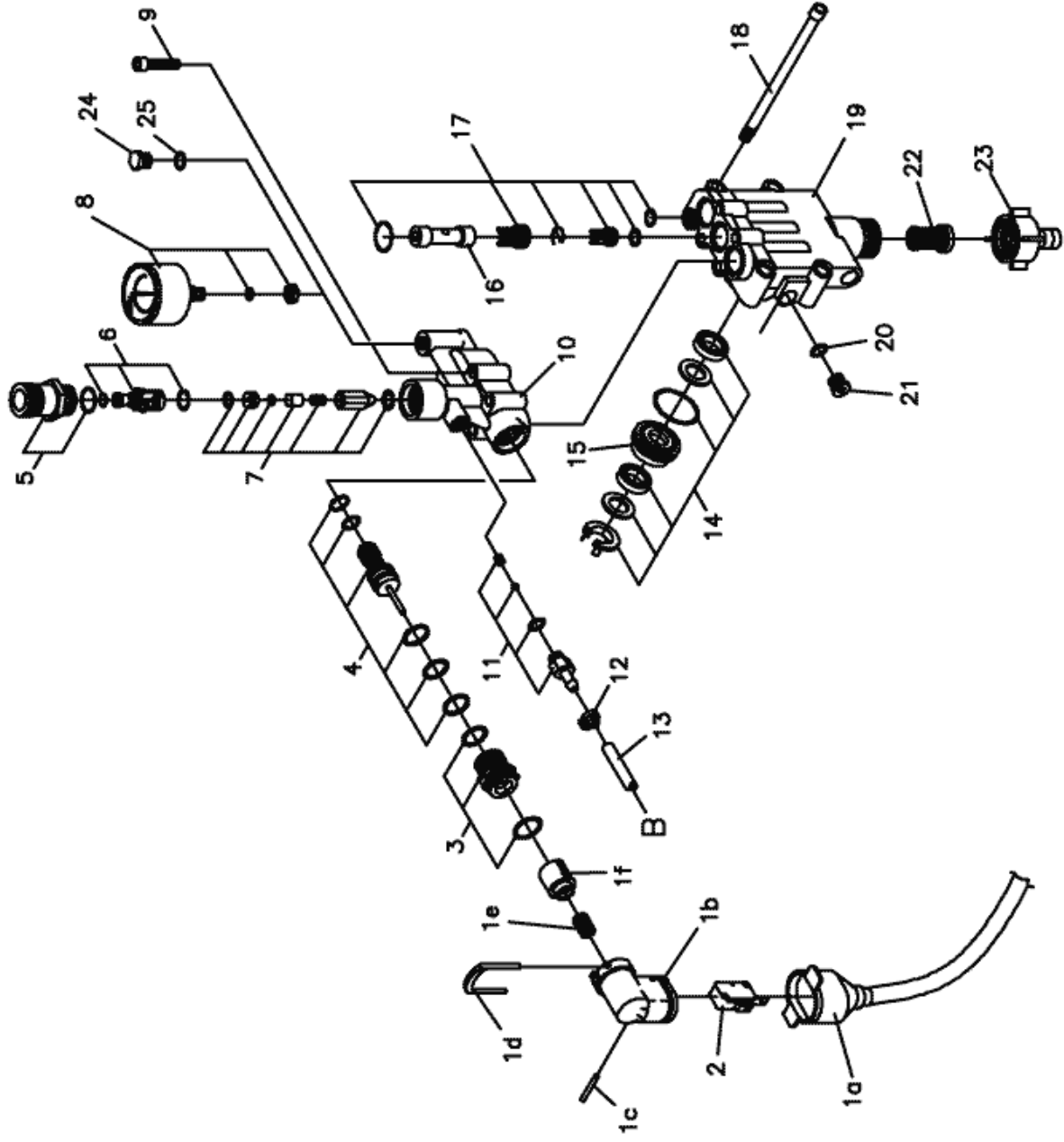
Spulerør / Lances / Lanzen / Lance

Pos.	Ref. no.	Betegnelse Description	Bezeichnung Description	230 A	240 A Hi- flow	250 A	270 A
33	06262221	ROTO DYSE KIT, 3.5 ROTO JET NOZZLE KIT, 3.5	GICLEUR ROTO KIT 3.5	1			1
33	06262222	ROTO DYSE KIT, 4.0 ROTO JET NOZZLE KIT, 4.0	KIT POUR GICLEUR ROTO 040			1	1



El-komponenter 270 / Electric components 270 / Elektrische komponente 270 / Composantes électrique 270

Pos.	Ref. no.	Betegnelse Description	Bezeichnung Description	230 A	240 A Hi- flow	250 A	270 A
02	06070866	SKRUE, 3,5X12 SCREW, 3,5X12	SCHRAUBE VIS POUR 230/250		9	9	9
05	06200467	START/STOP KONTAKT START/STOP SWITCH	DREHKNOFF BOUTON EXTERIEUR		1	1	1
06	06200465	LAG FOR EL-BOX COVER FOR ELECTRIC BOX	DECKEL FÜR ELEKTROKASTEN COUVERCLE DE BOITE		1	1	1
07	06070883	SKRUE, 4,8X13 SCREW, 4,8X13	VIS, 4,8X13		4	4	4
08	06161005	AFBRYDER, 1X230V 50HZ SWITCH, 1X230V 50HZ	SCHALTER INTERRUPTEUR 2,3 KW 2,3 KW			1	1
09	06200464	ELKASSEBUND BOTTOM FOR ELECTRIC BOX	BODEN F. ELEKTROKASTEN FOND DU COFFRET		1	1	1
10	06161026	TERMINALBLOK, 5P TERMINAL STRIP, 5P	BARETTE DE JONCTION, 5P				1
11	06160508	KONTAKTOR 12A 24V/50-60HZ CONTACTOR, 12A 24V/50-60HZ 230V	SCHUETZ CONTACTEUR C112 220V/50-6				1
11	06160824	KONTAKTOR, 12A 3X400/415V-50HZ CONTACTOR, 12A 3X400/415V-50HZ	SCHUETZ CONTACTEUR 400V - C112				1

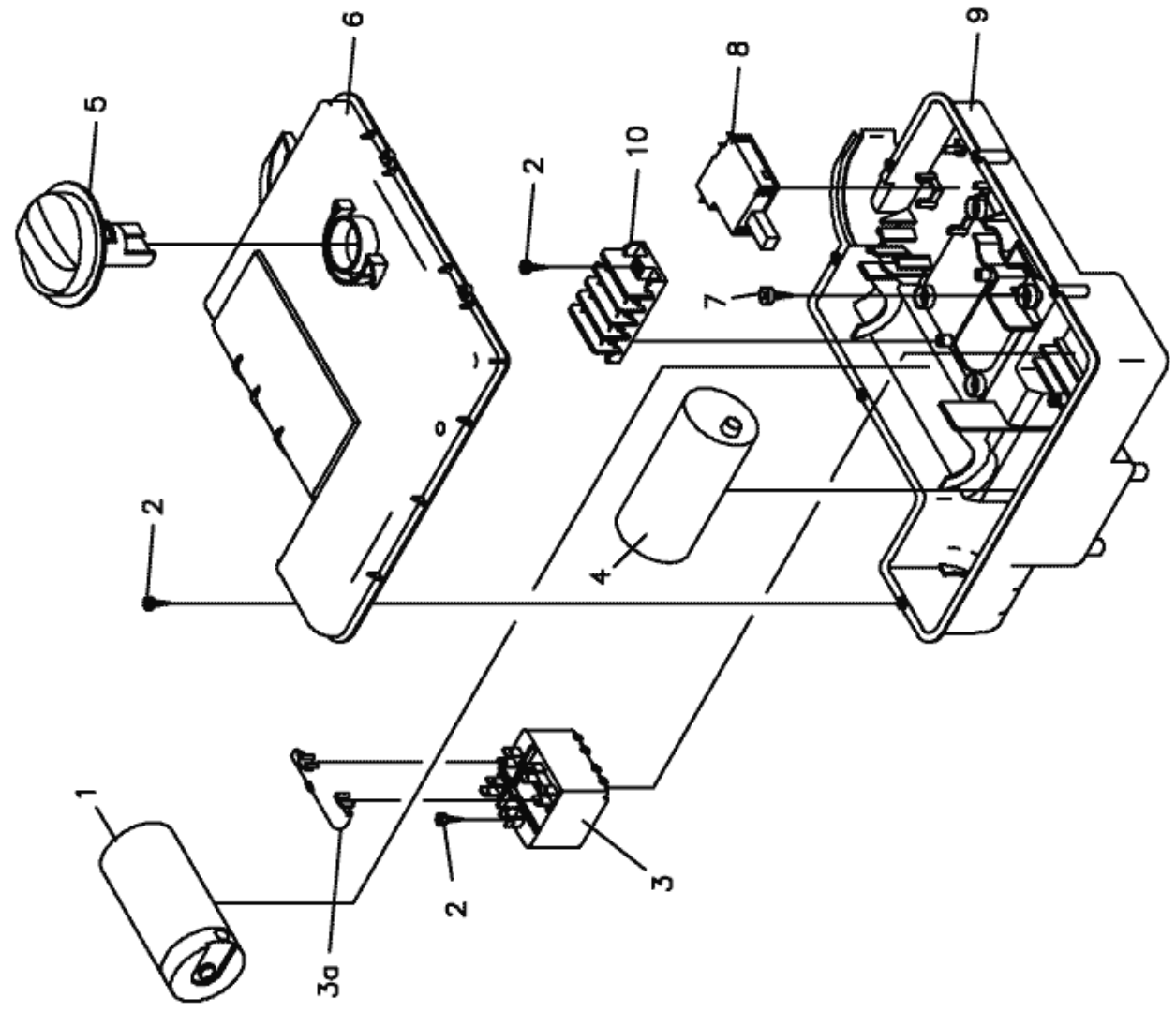


Pumpe / Pump / Pumpe / Pump

Pos.	Ref. no.	Betegnelse Description	Bezeichnung Description	230 A	240 A Hi- flow	250 A	270 A
0	06261898	KIT O-RINGE/PUMPE KIT O-RINGS/PUMP	O-RINGKIT F. PUMPE KIT JOINT TONIQUE	1	1	1	1
0	06345025	PUMPEOLIE, 1 L PUMP OIL, 1 L	PUMPEOLIE 10/40 HUILE - 1 LITRE	1	1	1	1
01	06261900	HUS FOR MIKROSWITCH, KPL. HOUSING FOR MICRO SWITCH, CPL.	GEHÄUSE F. MIKROSCHALTER CORPS MICRO CONTACT	1	1	1	1
01C	06200471	STIFT, Ø3X22,5 PIN, Ø3X22,5	STIFT CHEVILLE NOIRE PA Ø3X22,5	1	1	1	1
01D	06200469	LASEBØJLE LOCK FITTINGS	SCHLOSS JOINT D'ARRRET NOIR PA	1	1	1	1
02	06161007	MICROSWITCH MARQUARD MICRO SWITCH	MIKROSCHALTER MICRO CONTACTMARGUARD MARQUARD	1	1	1	1
03	06211647	FORSKRUNING SCREWED CONNECTION	PFROPFEN RACCORD	1	1	1	1
04	06211648	OMLØBSVENTIL, KPL. BY-PASS VALVE, CPL.	UMLAUFVENTILE VANNE BY-PASS	1	1	1	1
05	06211649	AFGANGSSTUDS OUTLET SOCKET	ABLAUFNIPPEL M. O-RING RACCORD DE DEPARTINT TORIINT TORIQUE	1	1	1	1
06	06211651	INJEKTORDYSE INJECTOR NOZZLE	INJEKTORDÜSE GICLEUR INJECTEUR	1			
06	06211678	INJEKTORDYSE INJECTOR NOZZLE	INJEKTORDÜSE GICLEUR D'INJECTEUR NG270				1
07	06211658	TRYKAFLASTNINGSVENTIL VALVE FOR PRESSURE RELIEF, CPL., G230/250/270	DRUCKENTLASTUNGSVENTIL KPL CLAPET ANTI RETOUR	1	1	1	1
08	06211653	MANOMETER, KPL. PRESSURE GAUGE, CPL.	MANOMETER MANOMETRE 2300/2500/2700	1	1	1	1
09	06070863	UNBRACO SKRUE, M6X35 ALLEN SCREW, M6X35	INBUSSSCHLÜSSEL VIS A TETE CYLINDRIQUE	4	4	4	4
10	06211654	TRYKMANIFOLD, KPL. PRESSURE MANIFOLD, CPL.	DRUCKMANIFOLD COLLECTEUR DE PRESSIONL.L.	1	1	1	1
11	06261484	KIT FOR KUGLEKONTRAVENTIL KIT FOR NON-RETURN VALVE	KIT F. RUECKSCHLAGVENTIL KIT VAN.ANTIRET.G300/400	1	1	1	1
12	06110494	SPÆNDEBAND, 10-12 RETAINING RING, 10-12	SCHLAUCHSCHELLE 8- FRETTE	1	1	1	1
13	06110621	KEMISLANGE, Ø9/6X650 DETERGENT HOSE, Ø9/6X650	REINIGUNGSMITTELSCHLAUCH TUYAU DETERGENT POMPEG230G230/250	1	1	1	1
14	06261896	KIT FOR MANCHET KIT FOR CUP	MANSCHEITENKIT KIT COUPELLE	1	1	1	1
14+17	06261897	KIT FOR PUMPE, 230/250/270 KIT FOR PUMP, 230/250/270	PUMPENKIT KIT COUPELLES - CLAPETS	1	1	1	1
15	06181386	MANCHETHOLDER, Ø35X14,5 CUP HOLDER, Ø35X14,5	MANSCHEITENHALTER ANNEAU DE COUPELLE	3	3	3	3
16	06180632	AFSTANDSSTYKKE, Ø16X30 DISTANCE PIECE, Ø16X30	ZWISCHENSTUECK ENTRETOISE	1	1	1	1

Pumpe / Pump / Pumpe / Pomp

Pos.	Ref. no.	Betegnelse Description	Bezeichnung Description	230 A	240 A Hi- flow	250 A	270 A
17	06261899	KIT FOR VENTIL, 230/250/270 KIT FOR VALVE, 230/250/270	VENTILKIT KIT CLAPET	1	1	1	1
18	06070867	UNBRACO SKRUE, M8X130 ALLEN SCREW, M8X130	INBUSSSCHLÜSSEL VIS A TETE CYLINDRIQUE	4	4	4	4
19	06181399	TOPSTYKKE, 230/250 CYLINDER HEAD, 230/250	ZYLINDERKOPF CUSASSE	1			
19	06181437	TOPSTYKKE CYLINDER HEAD	CULASSE, MODIFIEE				1
20	06120446	O-RING, 7,66X1,78 70 O-RING, 7,66X1,78 70	O-RING JOINT TORIQUE	3	3	3	3
21	06200460	RØRPROP, 1/8" PLUG FOR PIPE, 1/8"	ROHRPROPfen BOUCHON A VIS 1/8"	3	3	3	3
22	06100368	FILTER FILTER	WASSERFILTER FILTRE D'EAU	1	1	1	1
23	06030814	SLANGEFORSKRUNING, 3/4-1/2 HOSE SCREWED CONNECTION, 3/4-1/2	SCHLAUCHVERSCHRÄUBUNG JOINT DE TUYAU	1			
23	06030818	SLANGEFORSKRUNING, 3/4"-3/4" M.PAK HOSE SCREWED CONNECTION, 3/4"-3/4" M.PAK	RACCORD P. TUYAU, 3/4"-3/4" M.PAK				1



El-komponenter 230-240 -250 / Electric components / Elektrische komponente 230 - 240 - 250 / Composantes électrique 230 - 240 - 250

Pos.	Ref. no.	Betegnelse Description	Bezeichnung Description	230 A	240 A Hi- flow	250 A	270 A
01	06270341	DRIFTSKONDENSATOR, 55MFOR 450-55 WORKING CAPACITOR, 55MFOR 450-55	ANLASSKONDENSATOR CONDENSATEUR DE MARCHÉ			1	
02	06070866	SKRUE, 3,5X12 SCREW, 3,5X12	SCHRAUBE VIS POUR 230/250			9	
03	06262055	STARTRELÆ, 1X230V-60HZ STARTING RELAY, 1X230V-60HZ	RELAIS DE DEMARRAGE, 1X230V-60HZ			1	
03A	06270330	MODSTAND, 33 KOHM 1W RESISTANCE, 33 KOHM 1W	R-SISTANCE P. EQUIPEMENT			1	
04	06270341	DRIFTSKONDENSATOR, 55MFOR 450-55 WORKING CAPACITOR, 55MFOR 450-55	ANLASSKONDENSATOR CONDENSATEUR DE MARCHÉ			1	
04	06270346	DRIFTSKONDENSATOR, 40MFOR 450 WORKING CAPACITOR, 40MFOR 450	CONDENSATEUR DE MARCHÉ, 40MFOR 450			1	
05	06200467	START/STOP KONTAKT START/STOP SWITCH	DREHKNOPF BOUTON EXTERIEUR			1	
06	06200465	LAG FOR EL-BOX COVER FOR ELECTRIC BOX	DECKEL FÜR ELEKTROKASTEN COUVERCLE DE BOITE			1	
07	06070883	SKRUE, 4,8X13 SCREW, 4,8X13	VIS, 4,8X13			4	
08	06161005	AFBRYDER, 1X230V 50HZ SWITCH, 1X230V 50HZ	SCHALTER INTERRUPTEUR,2,3 KW 2,3 KW			1	
09	06200464	ELKASSEBUND BOTTOM FOR ELECTRIC BOX	BODEN F. ELEKTROKASTEN FOND DU COFFRET			1	
10	06161006	TERMINALBLOK, 4P TERMINAL STRIP, 4P	TERMINALBLOK BLOQUE TERMINALE 4-POLAIRES			1	