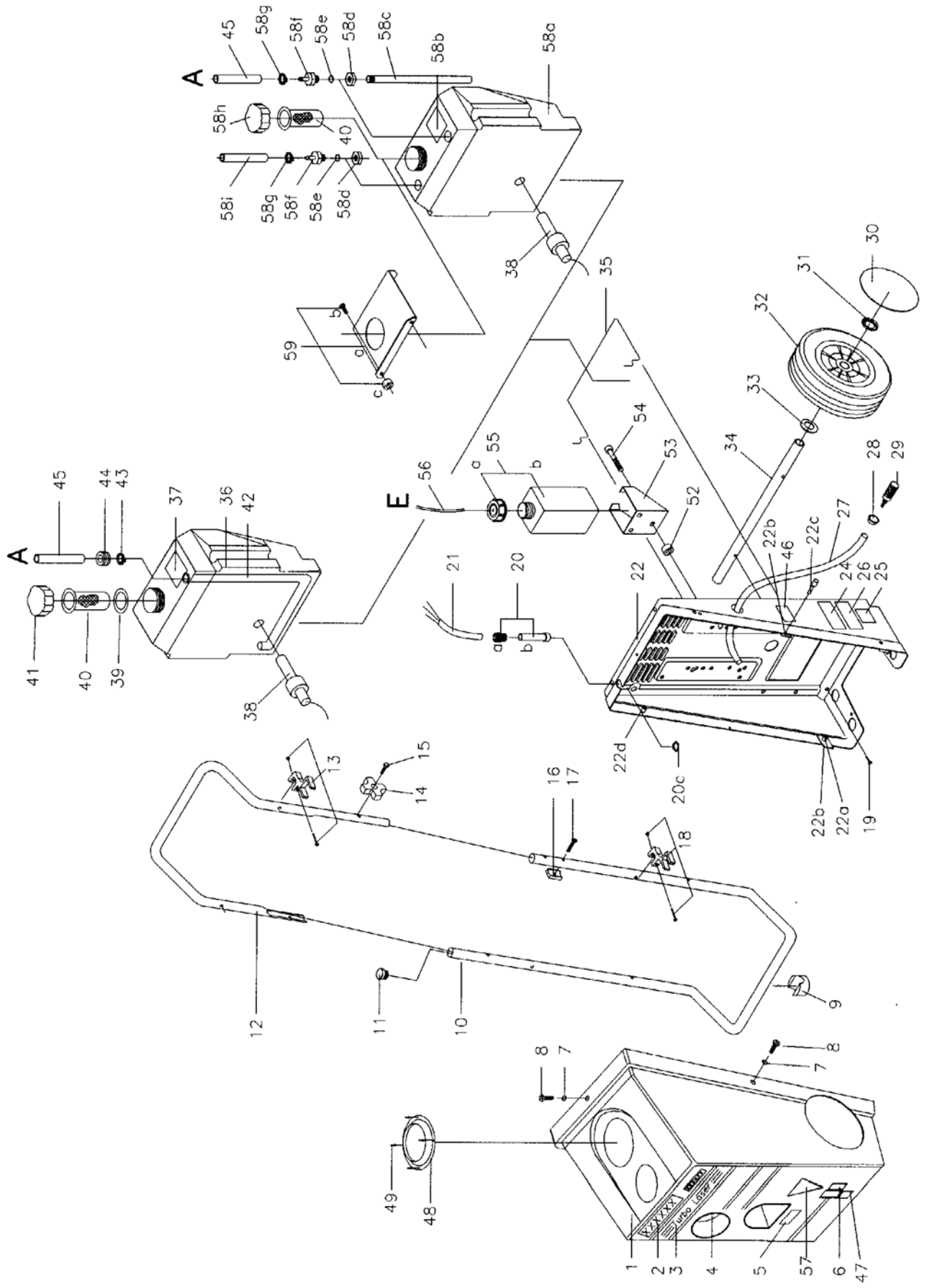

N/G-3000/3000A

Reservedelsliste
Spare parts list
Ersatzteilliste
Liste de pièces détachées

Karosse / Body / Karosserie / Carrosserie	2
Kedel / Oliefyr / Boiler / Oilburner / Kessel / Ölbrenner / Chaudière / Brulerur	7
El-komponenter / Electric components / Elektrische komponente / Composantes électrique	13
Motor / Motor / Motor / Moteur	17
Pumpe / Pump / Pumpe / Pomp	20
Pistol RL30 / Pistol RL30 / Pistole RL30 / Pistolet RL30	24
Pistol 98 / Pistol 98 / Pistole 98 / Pistolet 98	26
Pistol / Pistol / Pistole / Pistolet	30



Karosserie / Body / Karosserie / Carrosserie

Pos.	Ref. no.	Bezeichnung Description	3000 / 3000 A
0	06120506	GUMMIPAKNING F. NIVEAUFØL RUBBER GASKET FOR LEVEL PROTECTOR	1
01	06261860	KAROSSE & AFDÆKNING, G3000 BODY & COVER, G3000	1
01	06261861	KAROSSE + AFDÆKNING, N3000 BODY + COVER, N3000	1
02	06301459	TRANSFERS, G-3000 TRANSFERS, G-3000	1
02	06301833	TRANSFERS, N3000 TRANSFERS, N3000	1
04	06301513	TRANSFERS, N/G-3000 TRANSFERS, N/G-3000	1
05	06301564	TRANSFERS, SUPERTRIN TRANSFERS, SUPERTRIN	1
06	06300784	TRANSFERS, SINGLE-FLEX TRANSFERS, SINGLE-FLEX	1
07	06080087	SPÆNDESKIVE, M8 TENSION DISC, M8	3
08	06070024	SELVSKÆRENDE SKRUE, 1/2"X8 SELF-TAPPING SCREW, 1/2"X8	3
09	06200534	AFSTANDSSTYKKE, Ø28 DISTANCE PIECE, Ø28	1
10	06050885	STØTTEBEN, Ø25X2054 SUPPORTING LEG, Ø25X2054	1
11	06200064	DUPSKO, 25 CAP, 25	2
12	06050886	KØREHANDTAG, Ø25X21124 OPERATION HANDLE, Ø25X21124	1
13	06261765	HOLDER FOR PISTOL KPL. HOLDER FOR PISTOL	1
14	06200206	HANDHJUL HAND WHEEL	2
15	06070011	SKRUE, M8X30 SCREW, M8X30	2
15	06070287	SÆTSKRUE, M8X20 SET SCREW, M8X20	2
16	06200204	AFSTANDSKLODS SPACER BLOCK	4
17	06070386	SKRUE, 6X40 SCREW, 6X40	4
18	06260828	SPULERØRSHOLDER LANCE HOLDER	1
19	06070394	SKRUE, 8X16 SCREW, 8X16	2

Karosserie / Body / Karosserie / Carrosserie

Pos.	Ref. no.	Bezeichnung Description	3000 / 3000 A
20	06261856	KABELGENNEMFØRINGSKIT, 3X1,5 MM2 CABLE GROMMET KIT, 3X1,5 MM2	1
21	06160138	TILGANGSKABEL, PLAST, 3X1,5X8000 INLET CABLE PLASTIC, 3X1,5X8000	2
21	06160745	TILGANGSKABEL GUMMI, 3X1,5X8000 INLET CABLE RUBBER, 3X1,5X8000	1
22	06211631	BOTTOM FRAME CPL, NG3000, R.D.:240196 BOTTOMFRAME CPL, NG3000, R.D.:240196	1
22A	06070509	POP-NUT STÅL, 6MM POP NUT STEEL, 6MM	1
22B	06061249	BESLAG FOR KAROSSE, 33X39X1,0 FITTINGS FOR BODY, 33X39X1,0	2
22C	06070490	POPNIETE, 4X6,5 POP NUT, 4X6,5	1
22D	06070481	SKRUE, 6 MM SCREW, 6 MM	7
24	06301619	TRANSFER "ADVARSEL" TRANSFERS "WARNING"	1
25	06301663	TRANSFER "CE" TRANSFERS "CE"	1
26	06301097	TYPESKILT, 45X65 MM TYPE PLATE, 45X65 MM	1
27	06110490	KEMISLANGE, 1/4"X2000 MM DETERGENT HOSE, 1/4"X2000 MM	1
28	06120336	GUMMIGENNEMFØRING, Ø14XØ24 RUBBER GROMMET, Ø14XØ24	1
29	06100316	FILTER FOR KEMI DETERGENT FILTER	1
30	06130224	NAVKAPSEL GRØN, RAL 6005 HUB CAP GREEN, RAL 6005	2
30	06130225	NAVKAPSEL BLÅ, RAL 5013 HUB CAP BLUE, RAL 5013	2
31	06080136	LÅSESKIVE U/KAPPE, Ø25 MM LOCK WASHER WITHOUT CAP, Ø25 MM	2
32	06130223	HJUL, 25/47,5-250/55 WHEEL, 25/47,5-250/55	2
33	06080075	SPÆNDESKIVE, 45X25,5X1,5 TENSION DISC, 45X25,5X1,5	2
34	06050887	HJULAKSEL, Ø25X2X442 WHEEL AXLE, Ø25X2X442	1
35	06040190	RØRBJØJLE FOR KEMIDUNK, Ø6X650 PIPE HOLDER FOR DETERGENT TANK, Ø6X650	1
36	06261737	BRÆNDSTOFFTANK KPL, G3000, G3000 FUEL TANK COMPL, G3000, G3000	1

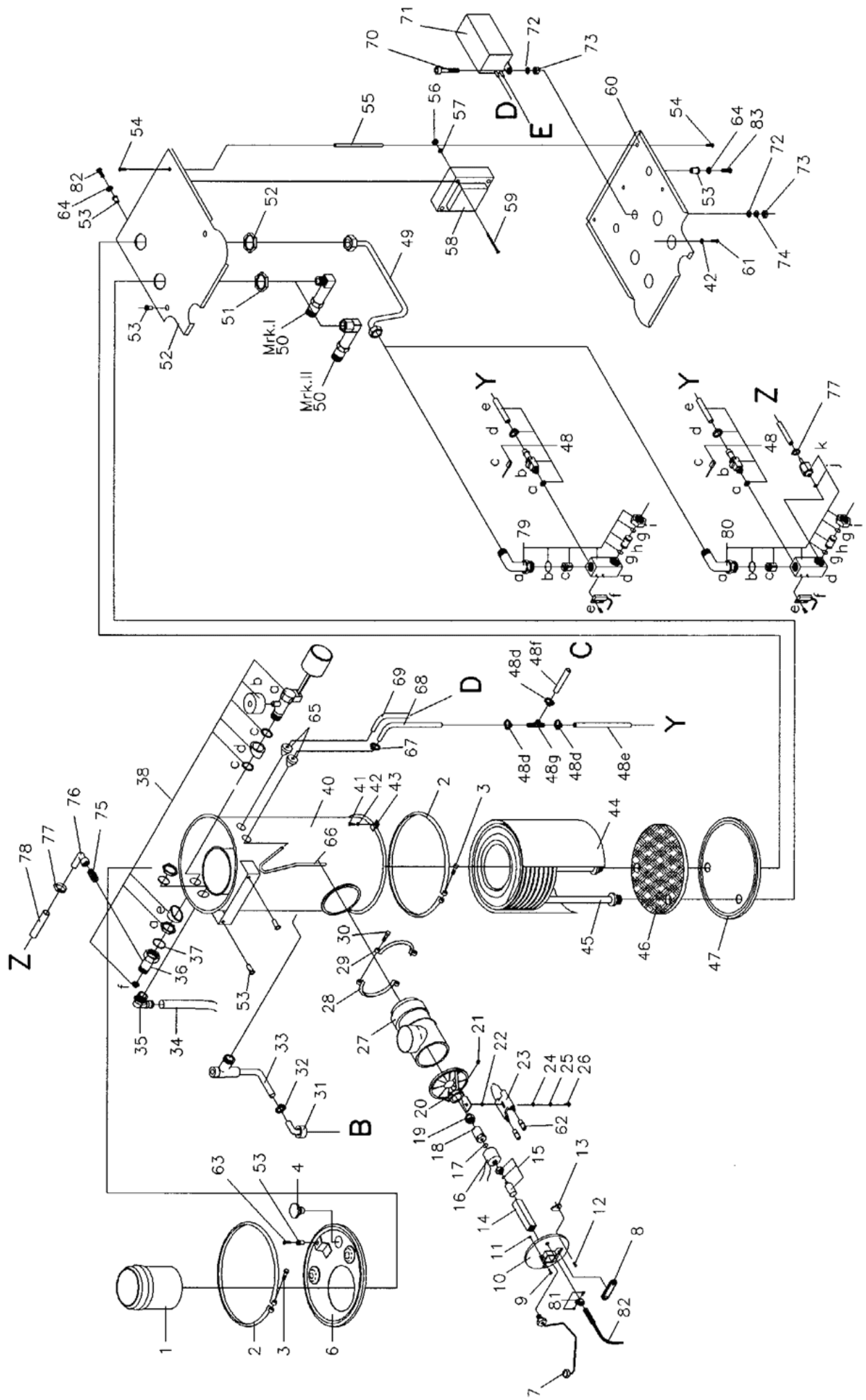
Karosseri / Body / Carrosserie / Carrosserie

Pos.	Ref. no.	Bezeichnung Description	3000 / 3000 A
37	06300495	TRANSFERS, 2000/3000 TRANSFERS, 2000/3000 KLEBSTREIFEN DIESELOEL AUTOCOLLANT HUILE DIESEL	1
38	06261666	NIVEAUFØLER LEVEL CONTROL NIVEAUFØLER KPL. JAUGE DE NIVEAU G-3000/40	1
39	06200381	RING FOR BRÆNDSTOFFFILTER RING FOR FUEL FILTER RONDELLE POUR G-3000	1
40	06100353	FILTERSI, Ø44X80 1CN STRAINER, Ø44X80 1CN BRENNSTOFFFILTER FILTRE GAS OIL =100317	1
41	06150154	LAG FOR BRÆNDSTOFFTANK, NG3000 COVER FOR FUEL TANK, NG3000 DECKEL MIT LOCH COUVERCLES-OIL S-OIL	1
42	06050947	SUGERØR FOR BRÆNDSTOF, Ø6,0X1,0X615 SUCTION PIPE FOR FUEL, Ø6,0X1,0X615 ANSAUGERØHR FÜR BRENNSTOFF TUYAU PLONGEUR G-3000OMBUOMBUSTIBLE	1
43	06110010	OETIKERBAND, 11-13 RETAINING RING, 11-13 SCHLAUCHSCHELLE COLLIER	1
44	06120278	GUMMIGENNEMFØRING RUBBER LEAD-IN BUSH GUMMIDURCHFUEHRUNG CAOUTCHOUC	1
45	06110536	BRÆNDSTOFFSLANGE, 890 MM FUEL HOSE, 890 MM BRENNSTOFFSCHLAUCH TUYAU A GAS-OIL N/G 3000	1
46	06301282	TRANSFERS - GODKENDELSE TUV TRANSFERS - APPROVAL TUV KLEBSTREIFEN - GENEHMIGUNG TUV AUTO-COLLANTS TUV CERTIFIE	1
47	06301589	TRANSFERS, AFLS TRANSFERS, AFLS KLEBSTREIFEN AUTOCOLLANT	1
48	06061367	AFDÆKNING FOR SKORSTEN COVERING FOR CHIMNEY ABDECKUNG FÜR SCHORNSTEIN G4001 COUVERCLE POUR CHEMINEE	1
49	06070818	POPNIITTE, RUSTFRI, 4X9,5 TUBULAR RIVET, STAINLESS, 4X9,5 POPMUTTER RIVET G-4000/ACIER /ACIER	4
52	06200145	AFSTANDSSTYKKE FOR BEHOLDER, 20X10.5X10 DISTANCE PIECE FOR TANK, 20X10.5X10 ZWISCHENSTUECK F/TANK NR. 52-0100 VISNO 52-0100 NO 52-0100	2
53	06060971	DUNKEHOLDER KPL. TANK HOLDER CPL. TANKHALTER, KPL. SUPPORT BOCAL	1
54	06070823	SKRUE, M6X20 SCREW, M6X20 SCHRAUBEN GALVANISERT VIS L/H GALV.HFC 9042 HFC 9042	2
55	06150099	FLASKE M. LAG BOTTLE W. COVER KAUTEK FLASCHE M/DECKEL BOCAL P/SYSTEME ANTI CALC	1
56	06110353	SLANGE, Ø3X1200 HOSE, Ø3X1200 SCHLAUCH F. ENTKALKUNG TUYAU POUR DECALCIFICATION	1
57	06301651	TRANSFER ADVARSEL G3000 AUTOCOLLANT "AVERTISSEMENT TRANSFERS WARUNG G-3000 UK AUTOCOLLANT "AVERTISSEMENT	1
58	06261737	BRÆNDSTOFFTANK KPL, G3000, G3000 FUEL TANK COMPL, G3000, G3000 KRAFTSTOFFTANK KPL G3000 RESERVOIR DE GASOIL CPL.CCPL, G3000	1
58 D	06181328	MØTRIK, NV24X6 NUT, NV24X6 MUTTER F. TANK ECROU P. RESERVOIR G3000	2
58A	06150165	BRÆNDSTOFFTANK, R.D. 261095 FUEL TANK, R.D. 261095 BRENNSTOFFTANK RESERVOIR COMBUSTIBLE	1

Karosserie / Body / Karosserie / Carrosserie

Pos.	Ref. no.	Betegnelse Description	Bezeichnung Description	3000 / 3000 A
58B	06300495	TRANSFERS, 2000/3000 TRANSFERS, 2000/3000	KLEBSTREIFEN DIESELOEL AUTOCOLLANT HUILE DIESEL	1
58C	06050994	SUGERØR FOR TANK, Ø8X1X333 SUCTION PIPE FOR TANK, Ø8X1X333	ANSAUGROHR F. TANK TUYAU D'ASP. P. RESERVOIR	1
58E	06120082	O-RING, 16.00X2.00 O-RING, 16.00X2.00	O-RING JOINT TORIQUE	2
58F	06181323	STUDS FOR TANK, NV24X32 SOCKET FOR TANK, NV24X32	STUTZEN F. TANK RACCORD P.RESERVOIR G3000	2
58G	06110494	SPÆNDEBAND, 10-12 RETAINING RING, 10-12	SCHLAUCHSCHELLE 8- FRETTE	2
58H	06200271	KAPSEL M. HÆTTE, 60 MM JACKET W. CAP, 60 MM	KAPSEL 60 MM M. KAPPE BOUCHON DE RESERVOIR/MANC/MANÇON	1
58I	06110594	BRÆNDSTOFSLANGE, 3/16"X320 MM FUEL HOSE, 3/16"X320 MM	BRENNSTOFFSCHLAUCH TUYAU COMBUSTIBLE G3000	1
59	06261738	HOLDER FOR TANK KPL., G3000 HOLDER FOR TANK CPL., G3000	HALTER F. TANK KPL. SUPPORT POUR RESERVOIR, C	1
59A	06061377	HOLDER FOR TANK, 1.5X165X175 HOLDER FOR TANK, 1.5X165X175	HALTER F. TANK SUPPORT P. RESERVOIR	1
59B	06070844	SKRUE, M6X25 SCREW, M6X25	SCHRAUBE VIS GALV.	2
59C	06200145	AFSTANDSSTYKKE FOR BEHOLDER, 20X10.5X10 DISTANCE PIECE FOR TANK, 20X10.5X10	ZWISCHENSTUECK F/TANK NR. 52-0100 VISNO 52-0100 NO 52-0100	2

Kedel / Oliefyr / Boiler / Oilburner / Kessel / Ölbrenner / Chaudière / Brulerur



Kedel / Oilfyr / Boiler / Oilburner / Kessel / Ölbrenner / Chaudière / Brulerur

Pos.	Ref. no.	Beegnelse Description	Bezeichnung Description	3000 / 3000 A
01	06061368	SKORSTENSRØR CHIMNEY PIPE	SCHORNSTEIN INNEN G4001 CHEMINEE 4001	1
02	06110511	SPÆNDEBESLAG, Ø.270 FITTINGS, Ø.270	BESCHLAG CERCLE D'ASSEMBL.CHAUDIER	2
03	06070801	IMBRACO SKRUE, M6X35 ALLEN SCREW, M6X35	IMBUSS TETE CYLINDRIQUE	2
04	06120543	PROP PLUG	CAPUCHON EN CAOUTCHOUC DIA. 25	1
06	06211479	LAG FOR KEDEL COVER FOR BOILER	DECKEL F. KESSEL COUVERCLE G-3000L. G-3000	1
07	06261578	TRYKRØR FOR BRÆNDER, 3000 PRESSURE PIPE FOR BURNER, 3000	DRUCKROHR F. BRENNER KPL. TUYAU DE FUEL P. BRULEUREUR	1
08	06200357	GUMMIGENNEMFØRING RUBBER GROMMET	GUMMIDURCHFUEHRUNG JOINT	1
09	06070341	SKRUE, 4X16 SCREW, 4X16	SCHRAUBE P/K, GALV. VIS	1
10	06200335	DÆKSEL FOR BRÆNDERHUS, 3000/4000 COVER FOR BURNER HOUSING, 3000/4000	DECKEL F. BRENNERGEHAEUSE COUVERCLE P.CORPS DEBUSTIBUSTIBLE	1
11	06080056	MØTRIK, M4 NUT, M4	MUTTER, GALV. ECROU	1
12	06070810	SKRUE, 4,8X19 SCREW, 4,8X19	SCHRAUBE VIS POUR BUTEE G-4500	2
13	06200360	LÅSEPAL FOR DÆKSEL LOCKING PAWL	SCHLISSSCHALTKLINKE F. DECKEL BUTEE DE CANNE DE BRULEURCLE	2
14	06181178	DYSERØR, 15X15X75 NOZZLE PIPE, 15X15X75	DUESERØHR TUYAU DE GICLEUR NG-3000	1
15	06261552	DYSEFILTER, KPL. NOZZLE FILTER, CPL.	DUESEFILTER KPL. FILTRE GICLEUR CPL. G-300-4000	1
16	06261655	MAGNETVENTIL, KPL., 230-415V SOLENOID VALVE, CPL., 230-415V	MAGNETVENTIL VANNE MAGNETIQUE G3000-45	1
17	06120265	O-RING, 7X1.5 O-RING, 7X1.5	O-RING JOINT	1
18	06181107	DYSEHOLDER, 19X30 NOZZLE HOLDER, 19X30	DUESEHALTER SUPPORT GICLEUR	1
19	06230279	OLIEDYSE, 0.75 GALL. 2.5 KG 80GR OIL NOZZLE, 0.75 GALL. 2.5 KG 80GR	OELDYESE 0.75 GALL. GICLEUR A GASOIL G-3000	1
19	06230360	OLIEDYSE, 0.55 GALL. 80H OIL NOZZLE, 0.55 GALL. 80H	OELDYESE GICLEUR D'HUILE 0,55 GALL 80H	1
20	06230331	BLANDESKIVE MIXING DISC	LUFTMISCHSCHEIBE DISQUE D'EMULSION G-3000/	1
21	06070047	IMBRACO PINOLSKRUE, M6X6 ALLEN POINTED SCREW, M6X6	IMBUSSREITSTOCKSCHRAUBE VISQUE QUE	1
22	06080212	UNDERLAGSSKIVE, Ø20XØ5X0,5 WASHER, Ø20XØ5X0,5	BOLZENSCHIBE RONDELLE	1

Kedel / Oilfyr / Boiler / Oilburner / Kessel / Ölbrenner / Chaudière / Brulerur

Pos.	Ref. no.	Betegnelse Description	Bezeichnung Description	3000 / 3000 A
23	06230336	TÆNDELEKTRODE IGNITION ELECTRODE	ZUENDELEKTRODE ELECTRODE D'ALLUMAGE	1
24	06080087	SPÆNDESKIVE, M8 TENSION DISC, M8	SCHEIBE, GALV. DISQUE	1
25	06080162	FJEDERSKIVE, M5 SPRING WASHER, M5	FEDERSKIBE DISQUE	1
26	06070344	SKRUE, 5X12 SCREW, 5X12	SCHRAUBE, P/K, GALV. VIS T/L GALV.	1
27	06230341	BRJNDERR'R KPL., G3000 BURNER PIPE,CPL., G3000	BRENNERROHR TUYAU COMBUSTIBLE CPL. G-3000	1
28	06110520	SPÆNDEBESLAG, Ø110 FITTINGS, Ø110	BESCHLAG CERCLE D'ASSEMBRULEUR GA	1
29	06110512	SPÆNDEBESLAG, Ø110 FITTINGS, Ø110	BESCHLAG CERCLE D'ASSEMBRULEUR DR	1
30	06070801	UNBRACO SKRUE, M6X35 ALLEN SCREW, M6X35	IMBUSS TETE CYLINDRIQUE	2
31	06030494	VINKELSTUDS, 1/2" 3/4 ANGLE SOCKET, 1/2" 3/4	WINKELSTUTZEN, KUNSTSTOFF SECTION D'ANGLE PLASTIQUEUE	1
32	06110473	SPÆNDEBAND, Ø18,8-21,3 RETAINING RING, Ø18,8-21,3	HERBIE SCHLAUCHSCHELLE COLLIER	1
33	06110537	AFGANGSSTUDS FOR KEDEL OUTLET SOCKET FOR BOILER	ABLASSSTUTZEN TUYAU DE SORTIE CHAUDIEREUDIÈRE CPL.	1
34	06110538	OVERLØBSSLANGE, 3/4"X600 ARMOURED PLASTIC HOSE , 3/4"X600	UEBERLAUF SCHLAUCH F. KESSEL TUYAU TROP-PLEIN P. CHAUDIERE	1
35	06030736	VINKELSTUDS PLASTIK, 3/4X3/4 ANGLE SOCKET PLASTIC, 3/4X3/4	WINKELSTUTZEN RACCORD EQUERRE	1
36	06181169	TILGANGSSTUDS, NV32X55 INLET SOCKET, NV32X55	EINLASSSTUTZEN RACCORD D'ENTREE G-3000	1
37	06120485	PAKNING FOR SVØMMER, 3/4 GASKET FOR FLOAT VALVE, 3/4	GUMMI DICHTUNG JOINT CAOUTCHOUC	1
38	06261528	SVØMMERVENTIL KPL. G4000 FLOAT VALVE CPL., G4000	SCHWIMMERTVENTIL KPL. VANNE A FLOTTEUR CPL. G30	1
38A	06100347	SVØMMER KPL. FLOAT VALVE CPL.	SCHWIMMERTVENTIL EINSCHL. MUTTER + DICHT. VANNE FLOTTEUR G-4000S ECS ECROU+JOINT	1
38B	06120475	SVAMP FOR SVØMMER SPONGE FOR FLOAT	SCHWAMM F. SCHWIMMER EPOGNE P. FLOTTEUR	1
38C	06120156	O-RING, 32X2 O-RING, 32X2	O-RING JOINT TORIQUE	2
38D	06200354	AFSTANDSRING FOR SVØMMER DISTANCE RING FOR FLOATER	DISTANZRING F. SCHWIMMER BAQUE ECARTEMENT POUR TTEUTTEUR	1
38E	06200355	PAKNING FOR SVØMMER GASKET FOR FLOAT VALVE	DICHTUNG F. SCHWIMMER JOINT POUR FLOTTEUR	1
38F	06100356	FILTER FOR SVØMMER FILTER FOR FLOATER	FILTER F. SCHWIMMER FILTRE	1

Kedel / Oilfyr / Boiler / Oilburner / Kessel / Ölbrenner / Chaudière / Brulerur

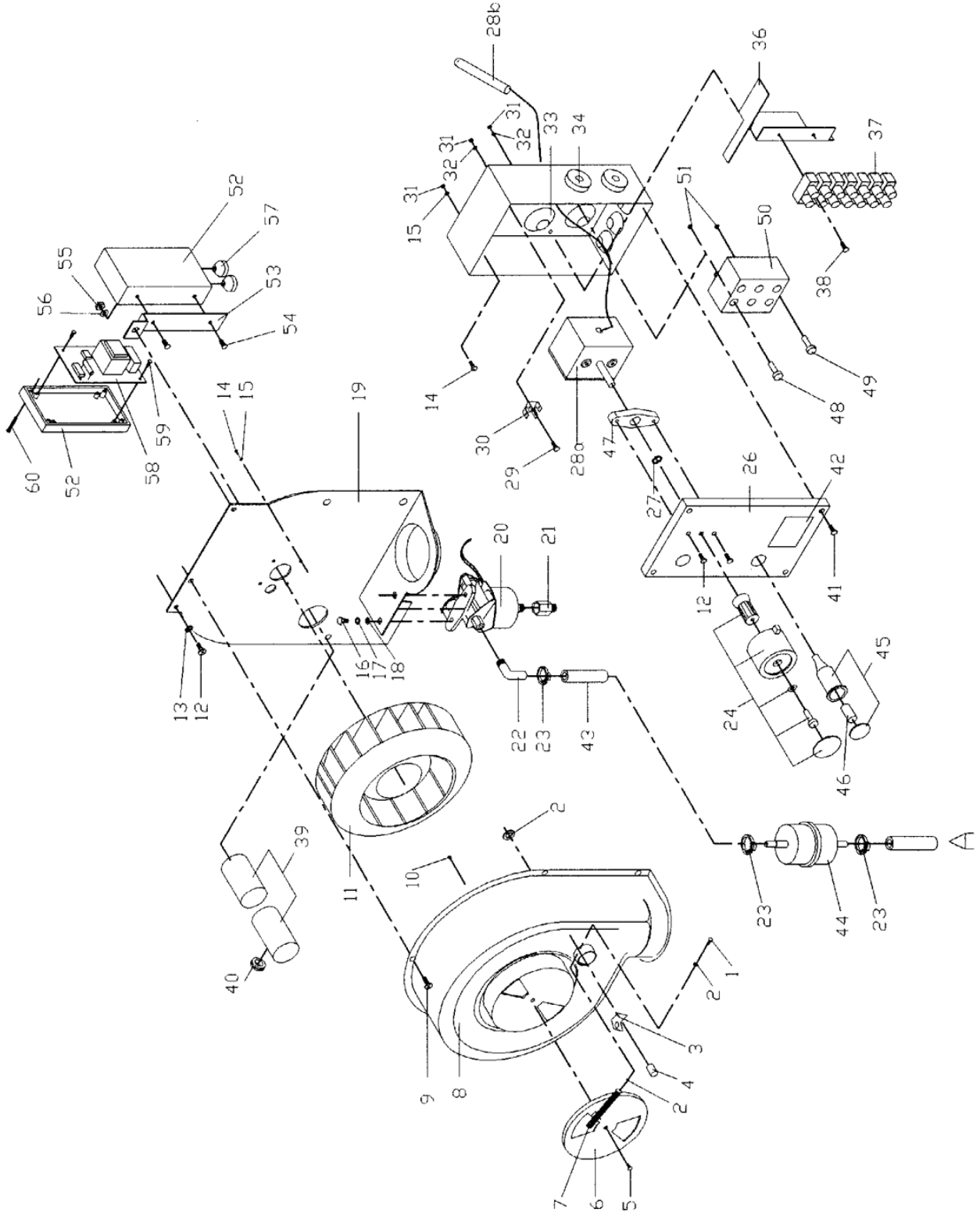
Pos.	Ref. no.	Betegnelse Description	Bezeichnung Description	3000 / 3000 A
40-47	06211409	KEDEL KPL., G3000 BOILER CPL., G3000	KESSEL KPL. CHAUDIÈRE CPLT G3000	1
41	06070427	SELVSKÆRENDE SKRUE, 6X16 SELF-TAPPING SCREW, 6X16	SCHRAUBE P/K, GALV. VIS 6 X 16 TÊTE RONDE	2
42	06080114	SKIVE, M6 WASHER, M6	STERNSCHEIBE RONDELLE A DENTS	6
43	06061260	BESLAG FOR KEDEL, 40X20X2,0 FITTINGS FOR BOILER, 40X20X2,0	BESCHLAG F. KESSEL ARMATURE P. CHAUDIÈRE G-3000	2
44	06061233	VARMEPLADE G-3000, 612X235X0,5 HEATER PLATE, 612X235X0,5	HEIZPLATTE PLAQUE DE PROTECT. G3000	1
45	06211593	SPIRAL, G-3000 HEATING COIL, G-3000	SPIRALE G-3000 SERPENTIN G-3000	1
46	06120423	FIBERRONDEL, Ø252X16 INSULATION, Ø252X16	RUNDTIL ISOLATION CHAUDIÈRE G-300	1
47	06061212	BUND FOR KEDEL, Ø280X1,0 BOTTOM FOR BOILER, Ø280X1,0	BODEN F. KESSEL FOND DE CHAUDIÈRE G-4000	1
48	06261743	SIKKERHEDSVENTIL KPL., G3000 SAFETY VALVE CPL., G3000	SICHERHEITSVENTIL SOUPAPE DE SECURITE	1
48A	06120355	USITRING, 8,70X13,0X1 USITRING, 8,70X13,0X1	USITRING ANNEAU USIT	1
48B	06211588	SIKKERHEDSVENTIL KPL., G-3000 SAFETY VALVE CPL., G-3000	SICHERHEITSVENTIL KPL. VANNE DE SURETE G-3000	1
48C	06070416	SKRUE, M3X4 SCREW, M3X4	SCHRAUBE, P/K, GALV. VIS	1
48C	06160943	HOLDER FOR OVERKOG HOLDER FOR PRIMING	HALTER F. AUFWELLEN SUPPORT P. PRIMAGE	1
48C	06211589	THERMOFØLER - OVERKOG, 3/4000 THERMAL PROTECTOR - PRIMING, 3/4000	UEBERKOCHEKONTROLLE THERMOSTAT	1
48D	06110481	SPÆNDEBÅND, Ø8,3-Ø9,9 RETAINING RING, Ø8,3-Ø9,9	HERBIE SCHLAUCHSCHELLE HERBIE FREITE NO 4011-B	5
48E	06110595	SLANGE, 70 MM HOSE, 70 MM	SCHLAUCH BY-PASS TUYAU BY-PASS N/G 3000	1
48F	06110596	SLANGE FOR OMLØB, 210 MM HOSE FOR BY-PASS, 210 MM	SHCLAUCH BY-PASS TUYAU BY-PASS N/G-3000	1
48G	06030746	Y-STYKKE Y-CONNECTION	Y-VERBINDUNGSSTUECK PIECE EN "Y"	1
49	06261580	RØR FOR FLOW SWITCH PIPE FOR FLOW SWITCH	ROHR F. AFSCHALTER TUBE POUR FLOW-SWITCHHPRESSION	1
50	06211526	AFGANGSSTUDS, 3000 OUTLET SOCKET, 3000	ABLASSSTUTZEN TUBE DE SORTIE SERPENTIN	1
50	06211595	AFGANGSSTUDS, KPL, 3000 OUTLET SOCKET CPL., 3000	AUSLASSTUTZEN KPL.NG-3000 TUBE DE SORTIE	1
51	06181129	MØTRIK, 36X8 NUT, 36X8	GENEMUTTER ECROU G-3000	2

Kedel / Oilfyr / Boiler / Oilburner / Kessel / Ölbrenner / Chaudière / Brulerur

Pos.	Ref. no.	Betegnelse Description	Bezeichnung Description	3000 / 3000 A
52	06211523	TOPPLADE FOR MOTOR/PUMPE TOP PLATE FOR MOTOR/PUMP	TOPPLATTE F. MOTOR/PUMPE PLAQUE SUPERIEURE P. MOTEUR/POMPE	1
53	06070481	SKRUE, 6 MM SCREW, 6 MM	BLINDNIETE STAHL RIVET TUBULAIRE D'ACIER	9
54	06070024	SELVSKÆRENDE SKRUE, 1/2"X8 SELF-TAPPING SCREW, 1/2"X8	SELBSTSCHNEIDENDE SCHRAUBE VIS TARAUDEUSE GALVA	4
55	06050903	AFSTANDSRØR, Ø6X155 DISTANCE PIPE, Ø6X155	ZWISCHENROHR TUYAU D'ECARTEMENT	2
56	06080056	MØTRIK, M4 NUT, M4	MUTTER, GALV. ECROU	4
57	06080046	STJERNESKIVE, M4 TOOTH LOCK WASHER, M4	STERNSKIBE, GALV. RONDELLE	4
58	06230345	TÆNDTRANSFORMER, 1/3 50/60 230-+ IGNITION TRANSFORMER, 1/3 50/60 230-+	ZUENDTRANSFORMATOR TRANSFO = REF 06261526	1
59	06070809	SKRUE, 4X40 SCREW, 4X40	SCHRAUBE VIS	2
60	06061220	BUNDPLADE FOR MOTOR/PUMPE, 342X287X1,5 SOLE PLATE FOR MOTOR/PUMP, 342X287X1,5	GRUNDPLATTE F. MOTOR/PUMPE PLAQUE DE FOND P. MOTEUR/POMPE	1
61	06070463	SÆTSKRUE, M6X12 SET SCREW, M6X12	SETZBOLZEN, GALV. BOULON D'ARRET GALV.	4
62	06230243	TÆNDRØRSHÆTTE IGNITION PIPE	ZUENDROHRKAPPE M. WIEDERSTAND PROTECTION DU TUBE D'ALLUMATION A/RESIS.	2
63	06070427	SELVSKÆRENDE SKRUE, 6X16 SELF-TAPPING SCREW, 6X16	SCHRAUBE P/K, GALV. VIS 6 X 16 TETE RONDE	1
64	06080018	STJERNESKIVE, M8 TOOTH LOCK WASHER, M8	FEDERTELLERSKIBE, GALV. RONDELLE D'ETOILE	4
65	06120111	PAKDASE, C 5-7 STUFFING BOX, C 5-7	STOPFBUCHSE PRESSE-ETOUPE CAOUTCHOUC	2
66	06050969	ØMLØBSRØR, Ø6X1X161 BY-PASS PIPE, Ø6X1X161	ROHR F. UMLAUF TUBE POUR BY-PASS G-4000	1
67	06110564	SPÆNDEBAND RETAINING RING	SCHLAUCHSCHELLE ABA9 FRETTE	1
68	06110515		TUYAU BY PASS P/G3000	1
69	06110353	SLANGE, Ø3X1200 HOSE, Ø3X1200	SCHLAUCH F. ENTKALKUNG TUYAU POUR DECALCIFICATION	1
70	06070341	SKRUE, 4X16 SCREW, 4X16	SCHRAUBE P/K, GALV. VIS	2
71	06170080	DOSERPUMPE, 240/50 ST15 35 DOSING PUMP, 240/50 ST15 35	DOSIERPUMPE POMPE DE DOSAGE 220V/50HZ	1
71	06170218	DOSERPUMPE, 100-115/50-60 DOSING PUMP, 100-115/50-60	DOSIERPUMPE POMPE DE DOSAGE SUTTNER	1
72	06080014	SPÆNDESKIVE, M4 TENSION DISC, M4	FEDERSKIBE, GALV. RONDELLE DE SERRAGE	4

Kedel / Oilfyr / Boiler / Oilburner / Kessel / Ölbrenner / Chaudière / Brulerur

Pos.	Ref. no.	Betegnelse Description	Bezeichnung Description	3000 / 3000 A
73	06080056	MØTRIK, M4 NUT, M4	MUTTER, GALV. ECROU	4
74	06080046	STJERNESKIVE, M4 TOOTH LOCK WASHER, M4	STERNSCHEIBE, GALV. RONDELLE	2
75	06030652	BRYSTNIPPEL, 1/4"X1/4" BREAST NIPPLE, 1/4"X1/4"	GEWINDESTUECK RACCORD A VIS	1
79	06261579	FLOWSTYRING KPL., 3000 FLOW CONTROL CPL., 3000	STROEMUNGSKONTROLLE KPL. FLOW-SWITCH G-3000.	1
79B	06120381	O-RING, 18,00X2,00 N70 O-RING, 18,00X2,00 N70	O-RING #18X2	1
79C	06211353	FLOWSTEMPEL KPL. FLOW PISTON CPL.	STROEMUNGSKOLBEN KPL. PISTON DE FLOW	1
79D	06070736	SKRUE, 3X6 SCREW, 3X6	SCHRAUBE P/K VIS	2
79E	06211499	FØLER F. FLOW SWITCH, KPL.	REED SCHALTER, KPL. REED CONTACTEUR=170182	1
79F	06181058	HUS FOR FLOW SWITCH, 27X27X67 G3000 HOUSING FOR FLOW SWITCH, 27X27X67 G3000	GEHAUSE F. ABSCHALTER CORPS P. INTERRUPTEUR DEPPRES. G3000	1
79G	06120267	O-RING, Ø10,82X1,78 O-RING, Ø10,82X1,78	O-RING JOINT	2
79H	06181236	NIPPEL FOR AFGANG, Ø15X20 NIPPLE FOR OUTLET, Ø15X20	NIPPEL F. AUSLASS RACCORD P. DEPART NG-3000	1
79I	06190062	MØTRIK, 27X10 NUT, 27X10	GEGENMUTTER CONTRE-ECROU LAITON M22 X	1
81	06230330	SPÆNDERING RETAINING RING	SCHLAUCHSCHELLE F. PHOTOZELLE ANNEAU DE SERRAGE	1
82	06230352	FOTOCELLE PHOTOCELL	PHOTOZELLE CELLULE PHOTOELECTRIQUE	1
83	06070809	SKRUE, 4X40 SCREW, 4X40	SCHRAUBE VIS	4
84	06030533	HYDRAULISK VINKELFORSKRUNING, 3/8"X12 HYDR.SCREWED CONNECTION, ANGLE, 3/8"X12	HYDR.VERSCHRAUBUNG,WINKEL 15-02/L12 TUYAU EN CUIVRE	1



El-komponenter / Electric components / Elektrische komponente / Composantes électrique

3000 / 3000

Pos.	Ref. no.	Betegnelse Description	Bezeichnung Description	A
01	06070816	SKRUE, 5X30 SCREW, 5X30	SKRUE VIS DANS LE RESSORT	1
02	06080014	SPÆNDESKIVE, M4 TENSION DISC, M4	FEDERSKIBE, GALV. RONDELLE DE SERRAGE	3
03	06061292	VINKELBSLAG, NG3000 ANGLE FITTINGS, NG3000	WINKELBSCHLAG RACCORD EQUERRE REGULATEUR D'AIR	1
04	06070490	POPNIITE, 4X6,5 POP NUT, 4X6,5	BLINDNIETE STAHL RIVET TUBULAIRE D'ACIER	1
05	06070346	SKRUE, 6X10 SCREW, 6X10	SCHRAUBE, P/K, GALV. VIS	1
06	06061290	SPJÆLD FOR BLÆSERHUS, Ø110X1,5 DAMPER FOR IMPELLER HOUSING, Ø110X1,5	KLAPPE F. GEBLÆSEGEHAUSE REGULATEUR P. CORPS DE SOUFFLANTE NG3000	1
07	06280083	TRÆKFJEDER FOR LUFTSPJÆLDG2000/3000, SPRING FOR IMPEL. HOUSINGG2000/3000, G2000/3000	ZIEHFEDER F/DROSSEL G2000/3000 RESSORT #1,5X4 INTERIEURXX100	1
08	06230321	BLÆSERHUS TOP IMPELLER HOUSING - TOP	GEBLÆSEGEHAUSE - SPIITZE CORPS SOUFFLANTP. NG3000 P. NG3000	1
09	06070763	SKRUE, 3,5X6 SCREW 3,5X6,5	SCHRAUBE 3,5X6,5 VIS 3,5X6,5	5
10	06080144	MØTRIK, M6 NUT, M6	SELBSTSCHLIESSENDE MUTTER, ROSTFREI ECROU INDESSESSABLE INOX	1
11	06230324	BLÆSERMOTOR IMPELLER MOTOR	GEBLÆSEMOTOR VENTILATEUR G-3000	1
11	06230355	BLÆSERMOTOR, 115V 60HZ BLOWER MOTOR, 115V 60HZ	LÜFTERGEHÄUSE MOTOR 190/44 NN 115/60 MOTEUR SOUFFLANTE	1
12	06070427	SELVSKÆRENDE SKRUE, 6X16 SELF-TAPPING SCREW, 6X16	SCHRAUBE P/K, GALV. VIS 6 X 16 TETE RONDE	2
13	06080114	SKIVE, M6 WASHER, M6	STERNSKIBE RONDELLE A DENTS	2
14	06070340	SKRUE, 4X10 SCREW, 4X10	SCHRAUBE, P/K, GALV. VIS	7
15	06080046	STJERNESKIVE, M4 TOOTH LOCK WASHER, M4	STERNSKIBE, GALV. RONDELLE	5
16	06070085	SÆTSKRUE, M8X16 SET SCREW, M8X16	SETZSCHRAUBE, GALV. VIS D'ARRRET, GALVANISEE	2
17	06080018	STJERNESKIVE, M8 TOOTH LOCK WASHER, M8	FEDERTELLERSKIBE, GALV. RONDELLE D'ETOILE	2
18	06080004	SPÆNDESKIVE, 8,4X17X1,6 TENSION DISC, 8,4X17X1,6	FEDERSKIBE, GALV. RONDELLE	2
19	06230320	BLÆSERHUS BUND, 362X266X1,5 IMPELLER HOUSING - BOTTOM, 362X266X1,5	GEBLÆSEGEHAUSE - BODEN CORPS DE SOUFFLANTE CADRE P. 230333	1
20	06230323	BRÆNDSTOFFPUMPE, 240V 50HZ FUEL PUMP, 240V 50HZ	BRENNSTOFFPUMPE POMPE A GASOIL G-3000	1
21	06181461			1

El-komponenter / Electric components / Elektrische komponente / Composantes électrique

3000 / 3000

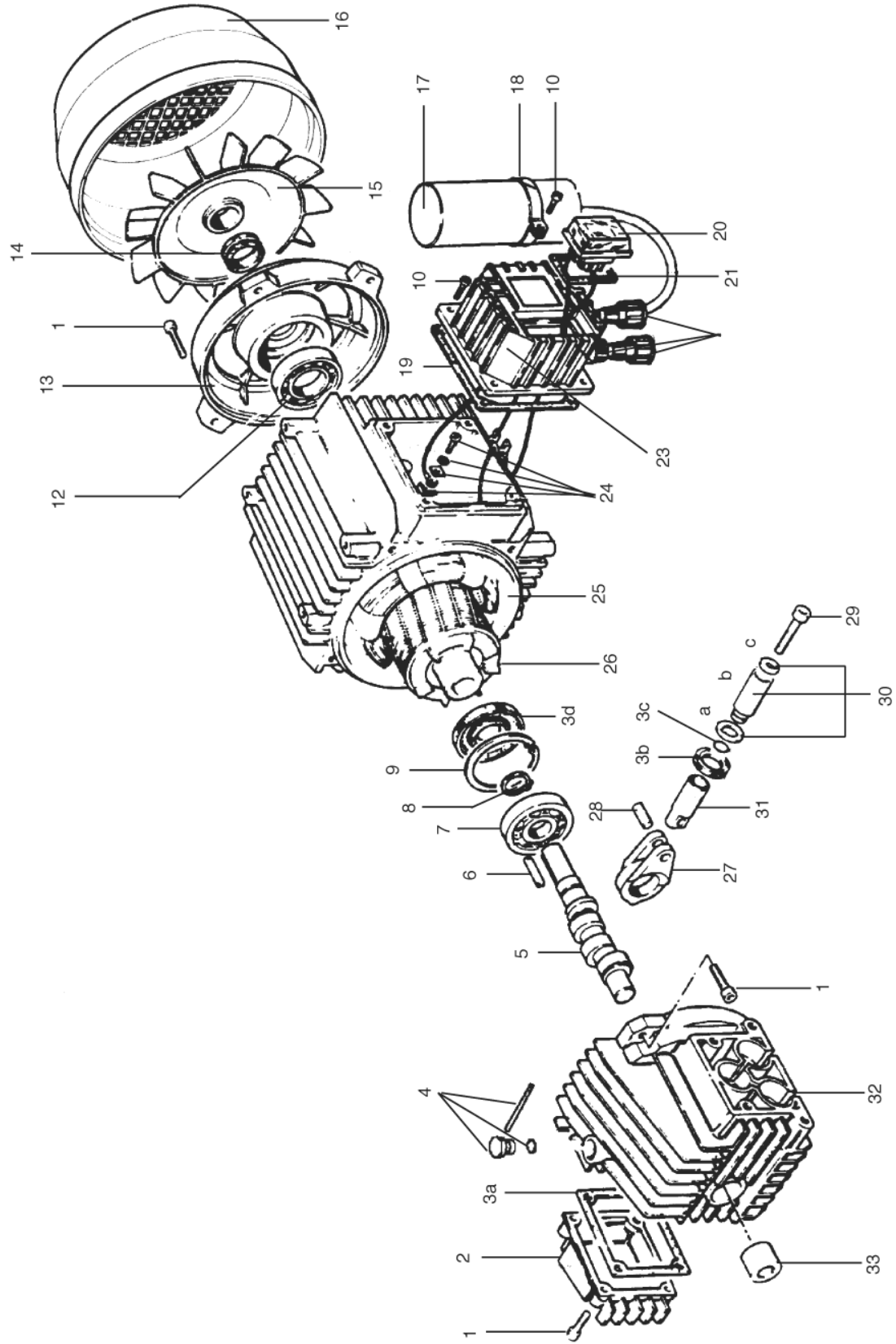
A

Pos.	Ref. no.	Betegnelse Description	Bezeichnung Description
22	06030743	VINKELSLANGENIPPEL, 1/8"-5 MM ANGLE HOSE NIPPLE, 1/8"-5 MM	WINKELSCHLAUCHNIPPEL COUDE ENTREE POMPE GAS
23	06110494	SPÆNDEBAND, 10-12 RETAINING RING, 10-12	SCHLAUCHSCHELLE 8- FRETTE
24	06261522	KIT FOR PLASTIKNAP KIT FOR PLASTIC BOTTON	KIT F. PLASTIKKNOPF KIT BOUTON = 261769
25	06070526	KT SKRUE 3X20, Ø3X20 KT SCREW3X20, Ø3X20	VIS 3X20
26	06200352	LAG FOR EL-BOX COVER FOR ELECTRIC BOX	DECKEL F. ELEKTROSCHALTKASTEN BOITE ELECTRIQUE INCL. COUVERCLE
27	06120087	O-RING, 5,28X1,78 O-RING, 5,28X1,78	O-RING JOINT TORIQUE
28A+B	06170227	TERMOSTAT THERMOSTAT	TERMOSTAT THERMOSTAT G-3000 ATEA TC-3036
29	06070782	SKRUE, 4X60 SCREW, 4X60	SCHRAUBE P/H GALVANISIERT VIS
30	06160822	FLADSTIKFORDELER, 6,3 MM G6000 FLAT PLUG DISTRIBUTOR, 6,3 MM G6000	FLADSTICHERVERTEILER DISTRIBUTEUR DE PRISE DE COURANT
31	06080056	MØTRIK, M4 NUT, M4	MUTTER, GALV. ECROU
32	06080158	STJERNESKIVE, M3 TOOTH LOCK WASHER, M3	STERNSCHEIBE TYP I M3 RONDELLE A DENTS TYPE I M3
33	06120106	PAKDASE, C 7-10 STUFFING BOX, C 7-10	STOPFBUCHSE PRESSE-ETOUPE
34	06120111	PAKDASE, C 5-7 STUFFING BOX, C 5-7	STOPFBUCHSE PRESSE-ETOUPE CAOUTCHOUC
37	06160838	KRONEMUFFE, 4,2X12 CROWN SOCKET, 4,2X12	KRONENMUFFE MANCHON A CRENEAUX 1631UFSP-12.Ø4,5 MM
38	06070356	SKRUE, M3X16 SCREW, M3X16	SCHRAUBE P/K, GALV. VIS GALVANISEE
39	06160933	KONDENSATOR, 4 ÁF CAPACITOR, 4 µF	KONDENSATOR CONDENSATEUR G-3000
39	06161029	KONDENSATOR, 2 ÁF CAPACITOR, 2 µF	KONDENSATEUR, 2 ÁF
40	06160448	KABELGENNEMFØRING, 4X9X11 CABLE GROMMET, 4X9X11	KABELDURCHFUEHRUNG F/BREMSENREINIG. TRAVERSEE DE CABLE P. PONY
41	06070839	FRANSK SKRUE, 2,9X25 FRENCH SCREW, 2,9X25	VIS HFC 197 2,9X25
42	06300510	ADVARSELSSKILT *SF WARNING PLATE *SF	WARNSCHILD FINNLAND PLAQUE D'AVERTISSEMENT FINLANDE
43	06110539	BRÆNDSTOFSLANGE, 80 MM FUEL HOSE, 80 MM	BRENNSTOFFSCHLAUCH TUYAU D'HUILE N/G-3000
44	06230327	BRÆNDSTOFFFILTER FUEL FILTER	BRENNSTOFFFILTER FILTRE A GASOIL G-3000

El-komponenter / Electric components / Elektrische komponente / Composantes électrique

3000 / 3000

Pos.	Ref. no.	Betegnelse Description	Bezeichnung Description	A
45	06160840	SIKRINGSHOLDER HOLDER FOR FUSE	SICHERUNGSHALTER M. VORSATZGERAET/KAPPE PORTE-FUSIBLE A/ADAPTEUR+COLLIER	1
46	06160067	FINSIKRING, 2 AMP. FUSE, 2 AMP.	SICHERUNG 2 AMP. 4792120207 FUSIBLE	1
47	06200072	AFSTANDSSTYKKE DISTANCE PIECE	ZWISCHENSTUECK F. THERMOSTAT PIECE INTERM. P. THERMOSTAT	1
48	06070341	SKRUE, 4X16 SCREW, 4X16	SCHRAUBE P/K, GALV. VIS	1
49	06070340	SKRUE, 4X10 SCREW, 4X10	SCHRAUBE, P/K, GALV. VIS	1
50	06160965	RELÆ, 240V RELAY, 240V	RELAIS DPNO T92P70/A22-240V RELAIS	1
51	06080056	MØTRIK, M4 NUT, M4	MUTTER, GALV. ECROU	2
52	06200396	EL-BOX BEARB. WIRING BOX	ELBOX BEARB. G-3000 BOITE ELECTRIQUE FACONNE	1
53	06061345	BESLAG FOR FLAMMEKONTROL FITTINGS FOR FLAME	BESCHLAG F. FLAM. KONTR. ARMATURE P. CONTR. DE FLA	1
54	06070340	SKRUE, 4X10 SCREW, 4X10	SCHRAUBE, P/K, GALV. VIS	2
55	06080056	MØTRIK, M4 NUT, M4	MUTTER, GALV. ECROU	2
56	06080081	FJEDERSKIVE, GALV., M4 SPRING WASHER, GALV., M4	FEDERSKIBE, GALV. RONDELLE DE RESSORT	2
57	06120111	PAKDASE, C 5-7 STUFFING BOX, C 5-7	STOPFBUCHSE PRESSE-ETOUPE CAOUTCHOUC	2
58	06170213	FLAMMEKONTROL, 230V 50HZ FLAME CONTROL, 230V 50HZ	FLAMMEKONTROLLE G3000/4100/4500C CONTROLE DE LA FLAMME	1
59	06070506	SELVSKÆRENDE SKRUE, 2,9X6,5 SELF-TAPPING SCREW, 2,9X6,5	SELBSTSCHNEIDENDE SCHRAUBE, P/K VIS	2
60	06070764	SKRUE P/H SELVSK SCREW 3,5X19	SCHRAUBE 3,5X19 VIS 3,5X19	4



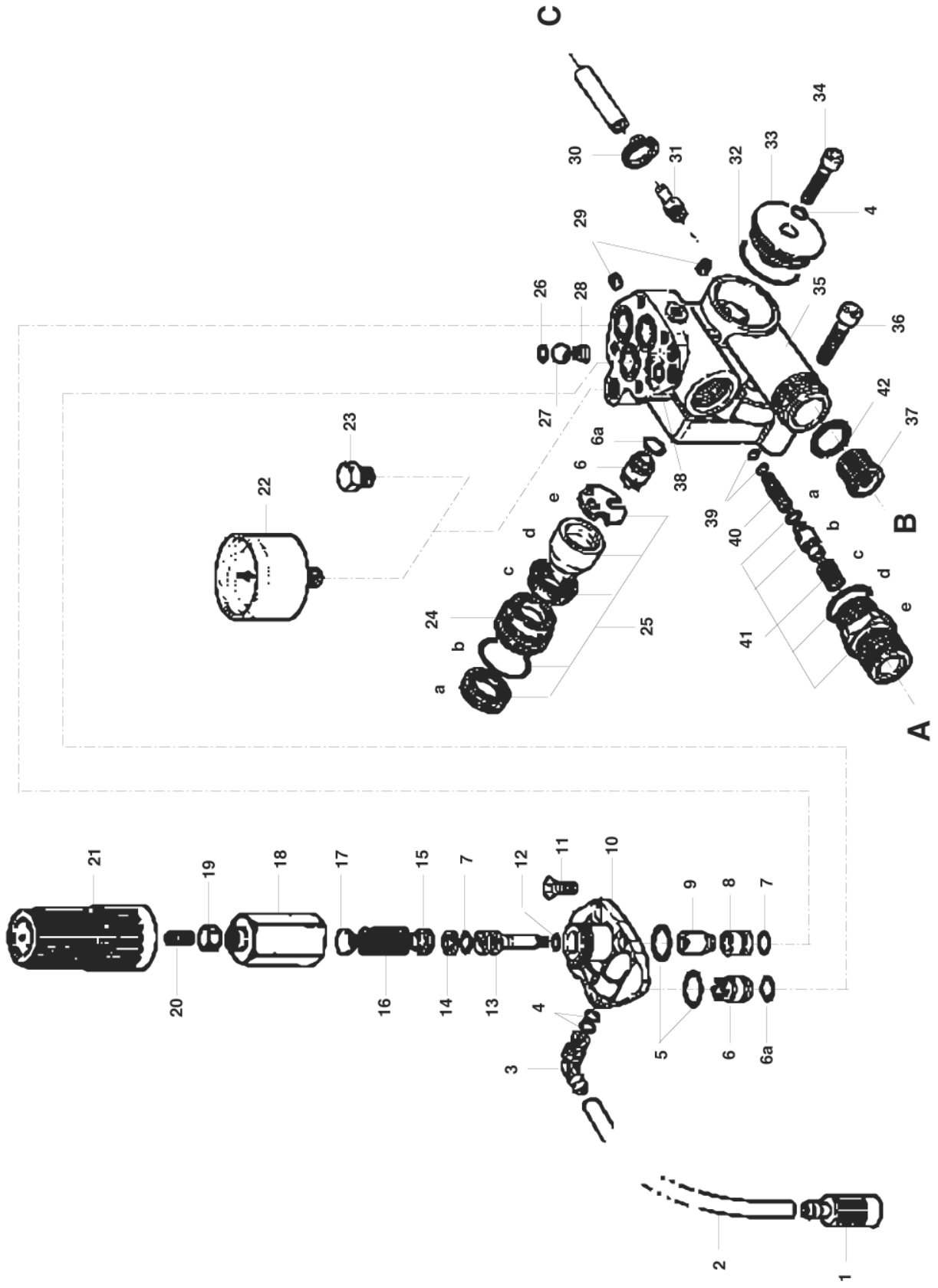
Motor / Motor / Moteur

Pos.	Ref. no.	Bezeichnung Description	3000 / 3000 A
01	06070786	IMBUSS-SCHRAUBEN VIS A TETE CYLINDRIQUE M5X25	12
02	06181110	DECKEL F. KURBELGEHAUESE COUVERCLEVELLE G-208 IVELLE G-208	1
04	06261581	PFROPFEN F. LUEFTUNG CAPUCHON P. VENTILATION CPL. NG-3000	1
05	06181146	KURBEL G-208 MANIVELLE	1
06	06280147	FEDERKEIL CLAVETTE POUR G 3000	1
07	06140052	KURBELWELLENLAGER, GROSS G-208 BUTEE P.MANIVELLE GRAND GG-208	1
08	06120424	SCHLISSRING F. KURBELWELLENLAGER, KLEIN JOINT D'ARRET P.BUTTEE G2 MANIVELLE	1
09	06120425	SCHLISSRING F. KURBELWELLENLAGER, GROSS JOINT D'ARRET POUR BUTEE MANIVELLE	1
10	06070787	IMBUSS-BOLZEN VIS A TETE CYLINDRIQUE M3,9X16	6
12	06140053	KUGELLAGER F. ROTOR G-208 ROULEMENT A BILLES P. ROTOR G-208	1
13	06270241	VENTILATORDECKEL COUVERCLE POUR SOUFFLANTE G-208	1
14	06080216	PASSRING F. GEBLAESERAD ANNEAU D'AJUSTAGE P. ROUE SOUFFLANTE	1
15	06270242	VENTILATORFLUEGEL VENTILATEUR G208	1
16	06270304	VENTILATORSCHIRM COUVERCLE DE VENTILAT. P.	1
17	06270260	KONDENSATOR, 45 AUF CAPASITOR, 45 uF	1
18	06110513	BESLAG F. KONDENSATOR ARMATURE DE SERRAGE P. CONDENSATEUR	1
19	06120426	PAKNING FOR EL-BOX GASKET FOR ELECTRIC BOX	1
20	06160952	AFBRYDER INTERRUPTEUR POUR G-3000	1
21	06120500	PAKNING GASKET	1
22	06160893	KABELGENNEMFØRING EL-BOX KABELDURCHFUEHRUNG ELEKTRO-SCHALTAKASTEN TRAVERSEE DE CABLE BOITE ELEC. G-208	2
23	06200392	LÅG FOR EL-BOX, G3000 COVER FOR ELECTRIC BOX, G3000	1
24	06261400	KIT F. LEDNINGSMONTERING KIT MONTAGE DE CABLE G-208	1

Motor / Motor / Motor / Moteur

Pos.	Ref. no.	Betegnelse Description	Bezeichnung Description	3000 / 3000 A
25	06270261	STATOR INCL. STATORHUS, 230/240V STATOR INCL. STATOR SHELL, 230/240V	STATORGEHAEUSE MIROTOR 230/240 STATOR AVEC CORPS G-208 2	1
27	06181111	OVERGANGSSTYKKE FOR STEMPEL TRANSFER DEVICE FOR PISTON	PLEUELSTANGE PIECE INTERMEDI.P/PISTON	3
28	06280148	LÅSESPLIT LOCKING PIN	SPLINT F. PLEUELSTANGE CLAVETTE D'ARRET G-208E GE G-208	3
29	06070485	UNBRACO SKRUE, M6X40 ALLEN SCREW, M6X40	IMBUSSCHRAUBE ROSTFREI, Z/K VIS SIX PANS POUR PISTON., T/C	3
30	06261689	STEMPELKIT, MRK. II 1 STK. PISTON KIT, MRK. II 1 PCS.	KOLBENKIT G208 MKII KIT PISTON G-3000/208(R.2)	1
31	06181112	BØSNING FOR STEMPEL BUSHING FOR PISTON	KOLBENFUSS DOUILLE POUR PISTON	3
32	06181113	KRUMTAPHUS CRANKCASE HOUSING	KURBELGEHAEUSE G-208 CORPS P. MANIVELLE 8	1
33	06140054	LEJE FOR KRUMTAP BEARING FOR CRANKCASE	KURBELWELLENLAGER, KLEIN G-208 BUTEE P.MANIVELLE PETIT G	1
3A-3D	06261399	OLIETÆTNINGSKIT FOR KRUMTAPHUS, G208 OIL SEALING KIT FOR CRANKCASE, G208	KITT F. OELDICHTUNG KUERBELGEHAEUSE KIT OBTURATION POURIL VILIL VILEBREQVIN	1

Pumpe / Pump / Pumpe / Pomp



Pumpe / Pump / Pumpe / Pomp

Pos.	Ref. no.	Betegnelse Description	Bezeichnung Description	3000 / 3000 A
01	06100348	KEMIFILTER, G208 DETERGENT FILTER, G208	REINIGUNGSMITTELFILTER KPL. G-208 CREPINEG-208	1
02	06110514	KEMISLANGE DETERGENT HOSE	REINIGUNGSMITTELSCHLAUCH TUYAU DE DETERGENT	1
03	06030732	VINKEL FOR KEMISLANGE ANGLE FOR DETERGENT HOSE	SCHLAUCHNIPPEN WINKEL PLASTIK RACCORD ASPIRAT.DETERGENTPLASTIQUE	1
04	06120427	O-RING, 4,48X1,78 O-RING, 4,48X1,78	O-RING JOINT TORIQUE	3
05	06120472	O-RING, Ø14X1,780 O-RING, Ø14X1,780	O-RING JOINT TORIQUE POUR POMPE	2
06	06261577	KIT FOR VENTIL, 208 KIT FOR VALVE, 208	KIT F. VENTIL KIT CLAPETS G 3000	6
06A	06120429	O-RING, 8,73X1,78 O-RING, 8,73X1,78	O-RING JOINT TORIQUE	6
07	06120438	O-RING, 7,66X1,78 O-RING, 7,66X1,78	O-RING JOINT TORIQUE	2
08	06181187	SÆDE FOR OMLØBSVENTIL SEAT FOR BY-PASS VALVE	SITZ F. UMLAUFVENTIL SIEGE POUR VANNE BY-PASS-210	1
09	06181195	KEGLE FOR OMLØBSVENTIL CONE FOR BY-PASS VALVE	KEGEL F. UMLAUFVENTIL CONE POUR VANNE BY-PASS21210	1
10	06262142	TOPDÆKSEL TOP COVER	CULASSE CPL G3000/208	1
11	06070812	SKRUE, 6X16 SCREW, 6X16	SKRUE VIS	4
12	06120433	O-RING, 2,9X1,78 O-RING, 2,9X1,78	O-RING JOINT TORIQUE	1
13	06181185	SKRUE SCREW	KOLBEN F. UMLAUFVENTIL PISTON P. VANNE BY-PASSG-G-210	1
14	06181184	STØTTERING BACK-UP RING	STUETZRING JOINT POUR GUIDE RESSORT	1
15	06200391	FJEDERSTYR SPRING GUIDE	FEDERFUEHRUNG BODEN RONDELLE GUIDE DE RESSORT	1
16	06280158	FJEDER SPRING	FEDER RESSORT	1
17	06200390	FJEDERSTYR SPRING GUIDE	FEDERFUEHRUNG TOP GUIDE DE RESSORT	1
18	06181286	HUS FOR REGULERINGSENHED HOUSING FOR REGULATING UNIT	GEHAUSE F. REGULIEREINHEIT CORPS POUR UNITE DE	1
19	06080228	MØTRIK NUT	MUTTER FÜR ECROU P. UNITE REGLAGE	1
20	06181182	JUSTERSKRUE, 6X8 ADJUSTING SCREW, 6X8	JUSTIERSCHRAUBE VIS DE REGLAGE	1
21	06200330	REGULERINGSHÅNDTAG REGULATING HANDLE	REGULIERHANDGRIFF CAPUCHON PRECISER MRK1 OUBY-PASS G-208	1

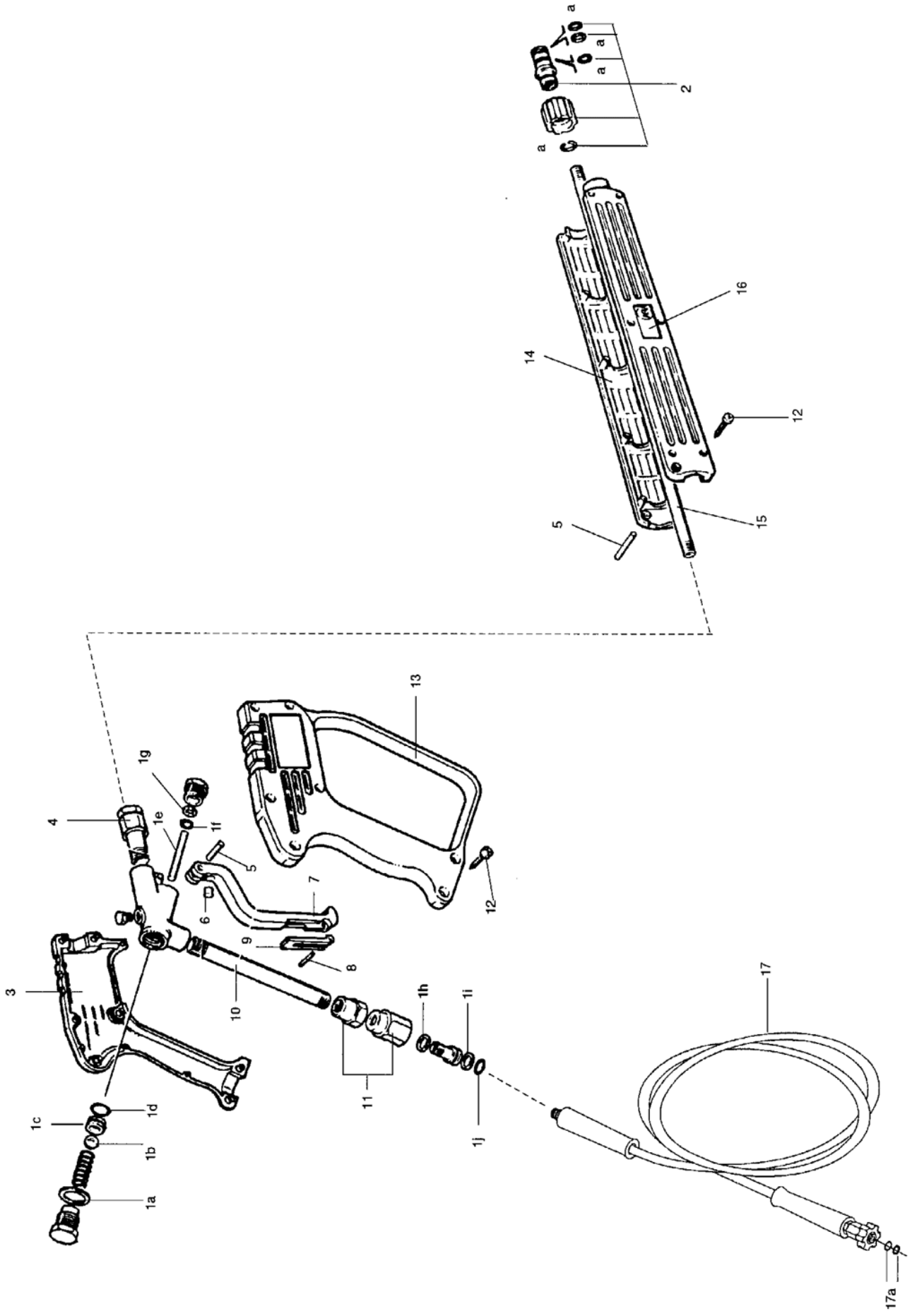
Pumpe / Pump / Pumpe / Pomp

Pos.	Ref. no.	Bezeichnung Description	3000 / 3000 A
22	06220050	MANOMETER, G208 PRESSURE GAUGE, G208	1
23	06030733	BL/ENDPROP, 1/8" HOLE PLUG, 1/8"	1
24	06181193	MANCHETHOLDER CUP HOLDER	3
25	06261514	VANDMANCHETKIT WATER CUP KIT	1
26	06120469	O-RING, 4X2,5 O-RING, 4X2,5	1
27	06280159	KUGLE BALL	1
28	06280160	FJEDER SPRING	1
29	06030749	RØRPROP, 5X45 PLUG FOR PIPE, 5X45	2
30	06110481	SPÆNDEBÅND, Ø8,3-Ø9,9 RETAINING RING, Ø8,3-Ø9,9	1
31	06180593	SLANGESTUJS, NV10X25 HOSE SOCKET, NV10X25	1
32	06120435	O-RING, 28,25X1,78 O-RING, 28,25X1,78	1
33	06181121	BL/ENDPROP, G208 HOLE PLUG, G208	1
34	06070813	UNBRACO SKRUE, M6X20 ALLEN SCREW, M6X20	1
35	06181291	TOPSTYKKE, 3000 CYLINDER HEAD, 3000	1
36	06070814	UNBRACO SKRUE, M6X45 ALLEN SCREW, M6X45	1
37	06100349	VANDFILTER WATER FILTER	1
38	06120470	O-RING, 5X2 O-RING, 5X2	1
39	06120471	O-RING, 4X2,5 O-RING, 4X2,5	2
40	06181190	INJEKTORDYSE INJECTOR NOZZLE	1
41	06261631	KONTRAVENTILKIT FOR AFGANGSSTUJS, G208 NON RETURN VALVE KIT FOR OUTLET NIPPLE, G208	1
41A	06120504	O-RING, 5,30X2,40 N90 O-RING, 5,30X2,40 N90	1
41B	06181293	KONTRAVENTIL, Ø10X20,6 NON-RETURN VALVE, Ø10X20,6	1

Pumpe / Pump / Pumpe / Pomp

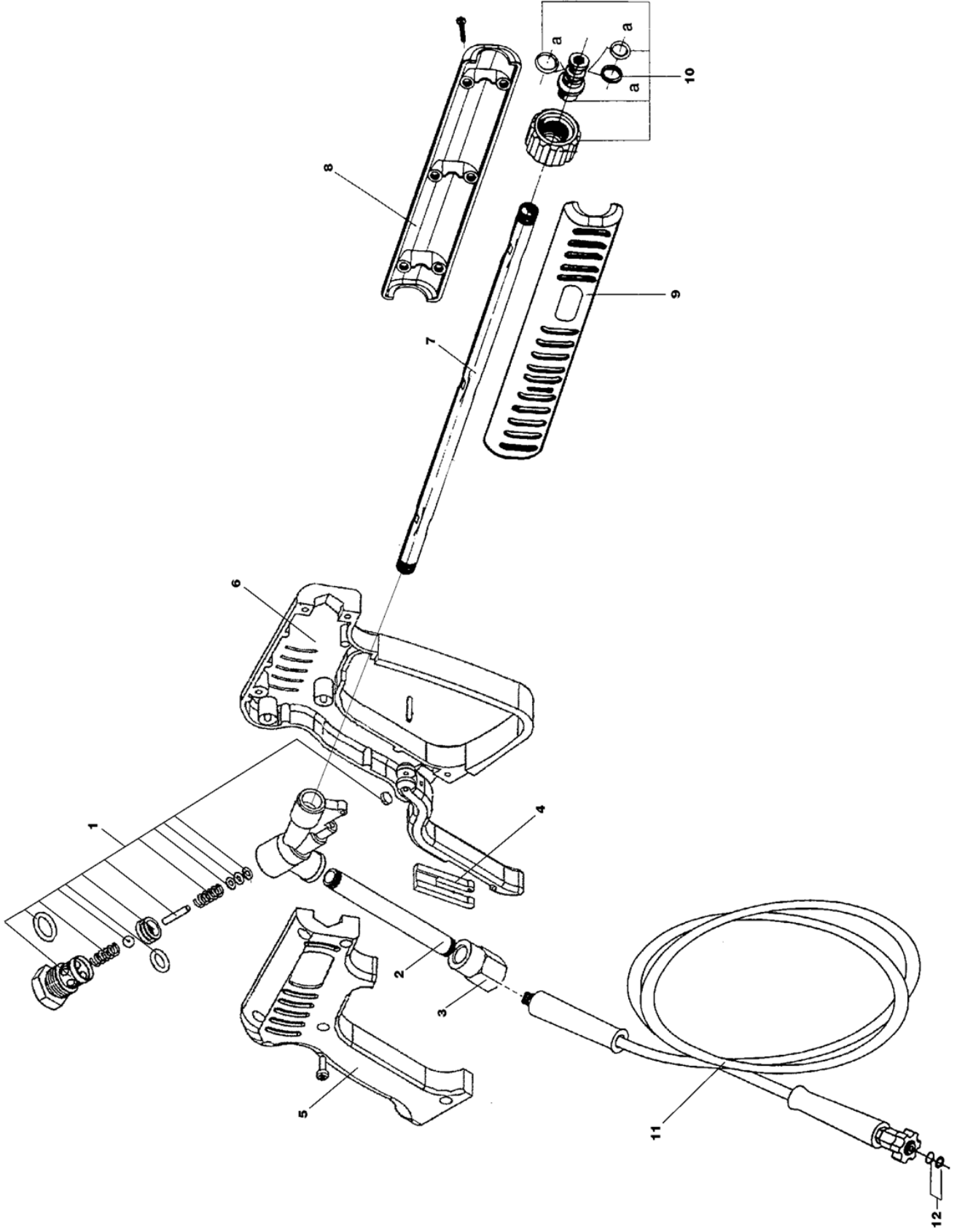
Pos.	Ref. no.	Betegnelse Description	Bezeichnung Description	3000 / 3000 A
41C	06280150	FJEDER SPRING	KOLBEN F. RUECKSCHLAGVENTIL RESS.VANNE ANTI-RET. DEPAUR DEPART	1
41D	06120434	O-RING, 17,17X1,78 O-RING, 17,17X1,78	O-RING JOINT TORIQUE	1
41E	06181189	AFGANGSNIPPEL OUTLET NIPPLE	AUSLASSNIPPEL RACCORD DE DEPART G-210	1
42	06120182	O-RING, 16X2 O-RING, 16X2	O-RING JOINT TORIQUE	1
5+7-	06261864	OMLØBSVENTILKIT BY-PASS VALVE KIT	UMLAUFVENTILKIT KIT CPL. VANNE DE BY-PASS	1

Pistol RL30 / Pistole RL30 / Pistole RL30 / Pistolet RL30



Pistol RL30 / Pistol RL30 / Pistole RL30 / Pistolet RL30

Pos.	Ref. no.	Betegnelse Description	Bezeichnung Description	3000 / 3000 A
02	06261567	SKRUEKOBLING	SCHRAUBENKUPPLUNG RACCORD VIS G3000=261568 S	1
02A	06261546	PAKNINGSKIT F. SKRUEKOBL. GASKET KIT FOR SCREW COUPLING	KIT F. O-RING SCHRAUBENKUPPLUNG KIT P. JOINTS TORIQUES RACC. A VIS	1
03	06200424	PISTOLKROP PISTOL HOUSING	PISTOLKÖRPER KPL. CORPS DE PISTOL.	1
04	06030773	AFGANSNIPPEL OUTLET NIPPLE	AUSLASSNIPPEL RACCORD POUR PISTOLET	1
05	06200416	LASEPAL LOCKING PAWL	VERSCHLUSS-SPERRKNEBEL CLIQUET D'ARRET	1
06	06120514	TRYKBRIK PUSH BROACH	DRUCKUNTERSATZ RONDELLE DE PRESSION	1
07	06200417	AFTRÆKKER PULLER	PISTOLSCHALTHEBEL GACHETTE DE PISTOLET	1
08	06200419	LASEPAL LOCKING PAWL	SPERRKLINKE CLIQUET D'ARRET	1
09	06200418	SIKKERHEDSLÅS SAFETY LOCK	SICHERHEITSSCHLOSS JOINT D'ARRET DE SURETE	1
10	06050979	TILGANGSRØR INLET PIPE	EINLASSROHR TUYAU ENTREE PISTOLET 290	1
11	06290038	DREJELED SWIVEL	KIT FÜR DREHGELENK RL30 RAC. TOURNANT PLUS FOURNI	1
12	06070835	SKRUE, 3,5X18 SCREW, 3,5X18	SCREW 3.5X18 VIS	13
14	06200415	KAPPE CAP	KAPPE FÜR FOHRROHR RECHTS MANTEAU P. TUYAU AVANT DROITE	1
15	06050978	FORRØR FOR PISTOL FRONT PIPE FOR PISTOL	VORDERROHR F. PISTOLE TUBE POUR PISTOLET REF. 2	1
16	06200414	KAPPE FOR FORRØR VENSTRE	KAPPE FÜR VORRÖHRE LINKS MANTEAU P. TUYAU AVANT GAUCHE	1
17	06110476	HØJTRYKSSLANGE, DN8X8M HIGH PRESSURE HOSE, DN8X8M	HOCHDRUCKSCHLAUCH M. SCHRAUBENKUPPLUNGEN TUYAU H.P. A/RAC.A VIS(R.ER A/RAC. A VIS	1
17A	06260936	PAKNINGSKIT F. SKRUEKOBL. GASKET KIT FOR SCREW COUPLING	DICHTUNGSKIT F. SCHRAUBENKUPPLUNG KIT JOINT RACCORD VIS VIS	1
1A-I	06261549	SERVICEKIT F. PISTOL RL30 SERVICE KIT FOR PISTOL , RL30	KIT F. PISTOLE RL-30 KIT POUR PISTOLET RL-30	1



Pistol 98 / Pistol 98 / Pistole 98 / Pistol 98

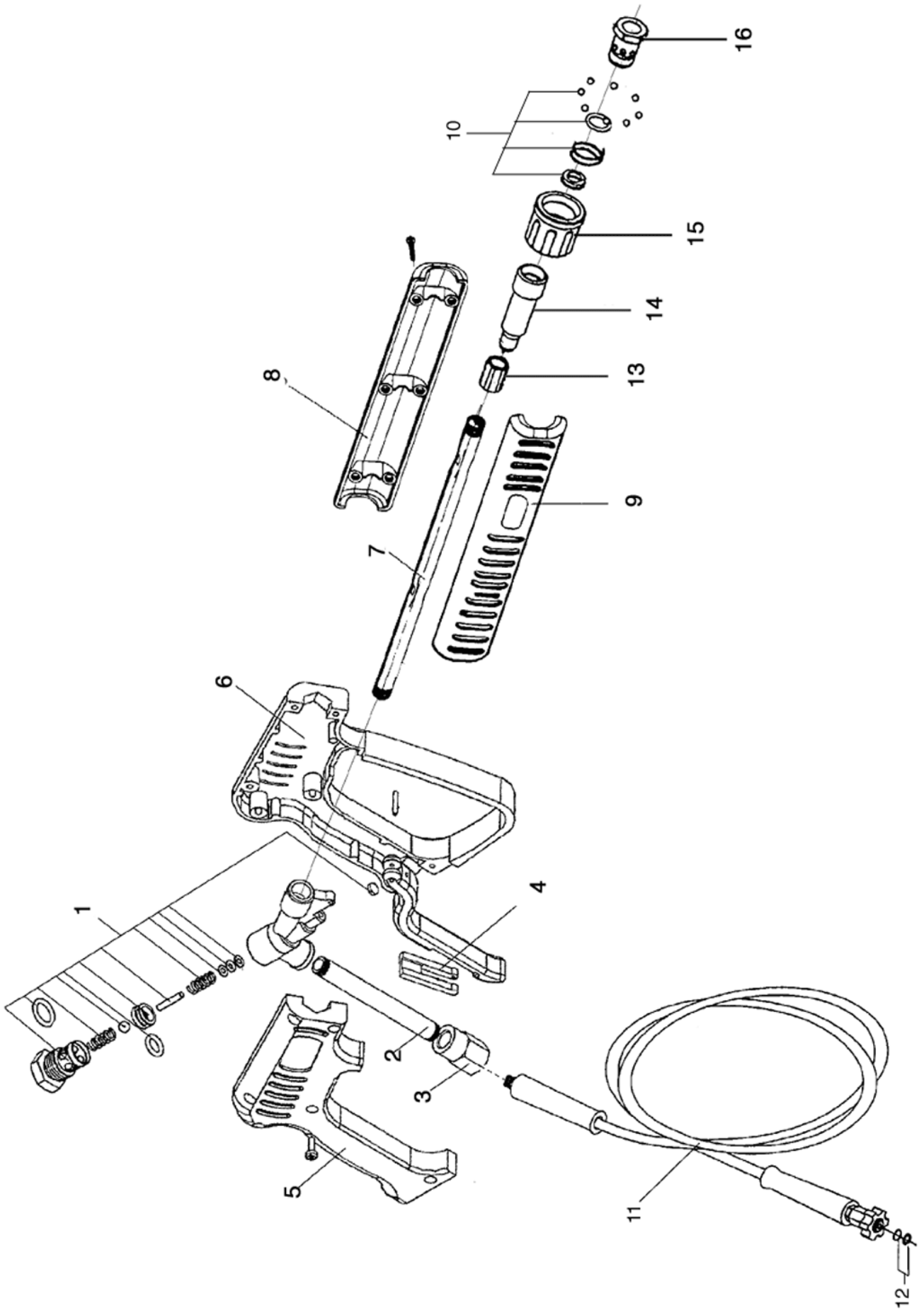
Pos.	Ref. no.	Betegnelse Description	Bezeichnung Description	3000 / 3000 A
0	06261958	SPECTRUM M/ TRYKREG. - SKRUE - 650 MM, EXCL. SPECTRUM W. PRES. REG. - SCREW - 650 MM,	SPECTRUM OHNE DÜSE - 650 MM SPECTRUM SANS GICLEUR - 650 MM	1
0	06261987	SPECTRUM DYSE SPECTRUM NOZZLE	SPECTRUM DÜSE SPECTRUM GICLEUR 3.5	1
0	06290028	PISTOL ASTRA 320 3/8 PISTOL, 98	PISTOLE ASTRA 320 PISTOLET MRM320=290113	1
01	06260232	HANDTAGSKIT F. SPULERØR HANDLE KIT	HANDGRIFFKIT F. DOPPELLANZE KIT SERVICE AVEC POIGNEENNE DOUBLE	1
01	06261543	SERVICEKIT F. PISTOL MTM SERVICE KIT FOR PISTOL , MTM	KIT F. PISTOLE MTM KIT DE SERVICE P.PISTOLET	1
02	06050981	TILGANGSRØR INLET PIPE	EINLASSROHR F. PISTOL TUBE D'ENTREE PISTOLET	1
02	06070479	SKRUE, 4X20 SCREW, 4X20	SCHNEIDSCHRAUBE, SCHWARZZINK VIS	3
03	06200097	PYNTEDÆKSEL F. VENTILHUS COVER F. VALVE HOUSING	STAUBKAPPE F. VENTILGEHAE COUVERCLEOR: D. VAN OR. D. VAN	1
04	06200384	SIKKERHEDSPAL SAFETY LOCK	SPERRVORRICHTUNG ARRET DE SURETE MTM	1
04	06260860	VENTILSPINDEL KIT VALVE SPINDLE KIT	VENTILSPINDELKIT F. DRUCKREGELUNG KIT REGLAGE PRESSION DOUBLE. PRES.	1
04C	06120006	O-RING, 6.75X1,78 O-RING, 6.75X1,78	O-RING JOINT TORIQUE MAT 4470	1
04D	06120010	O-RING, 13.1X1,6 O-RING, 13.1X1,6	O-RING JOINT TORIQUE MAT 4470	1
04E	06190245	MØTRIK NUT	MUTTER F. VENTIL ECROU POUR VANNE DOUB.LAN	1
05	06200420	PISTOLKROP PISTOL HOUSING	PISTOLKÖRPER RECHTS CORPS DE PISTOLET	1
05	06211078	VENTILHUS VALVE HOUSING	VENTILGEHAEUSE, KPL. CULASSE LANCE DOUBLE ET	1
06	06120188	O-RING, 10X2 O-RING, 10X2	O-RING JOINT TORIQUE	1
06	06200421	PISTOLKROP PISTOL HOUSING	PISTOLKÖRPER LINKS CORPS DE PISTOLET	1
07	06030484	SKRUEKOBLING 1/4 UDV. SCREW COUPLING ROTATABLE , 1/4"	SCHR.KUPPLUNG DREHBAR F.DOPPELLANZE ACCOUPL. VIS TOURNANT DBL LANCE DOUBLE	1
07	06050980	FØRRØR FOR PISTOL FRONT PIPE FOR PISTOL	VORDERROHR F. PISTOLE TUBE	1
08	06100332	FILTER FOR TURBO LASER FILTER FOR TURBO LASER	FILTER F. TURBO LASER M. O-RING FILTRE TURBO LASER	1
08	06200423	KAPPE VENSTRE CAP LEFT	KAPPE FÜR FOHRROHR LINKS CARTER DE PISTOLET GAUCHE	1
08A	06120139	O-RING, 10X1 O-RING, 10X1	O-RING JOINT SPY JET	1

Pistol 98 / Pistol 98 / Pistole 98 / Pistolet 98

Pos.	Ref. no.	Bezeichnung Description	3000 / 3000 A
09	06030527	BRYSTNIPPEL, 8X1/4" BREAST NIPPLE, 8X1/4"	1
09	06200422	KAPPE, HØJRE CAP, RIGHT	1
1-15	06261868	TURBO LASER, 600 MM 230V, 60 HZ TURBO LASER, 600 MM 230V, 60 HZ	1
1-8,	06260758	DOBBELT SPULERØR 600MM EXCL.TRYKYDYSE DOUBLE LANCE - PRES. REG.- SCREW -600 MM,	1
10	06050841	SPULERØR LIGE, Ø13X1,5X586 LANCE STRAIGHT, Ø13X1,5X586	1
10	06261568	SKRUEKOBLING FOR PISTOL SCREW COUPLING FOR PISTOL	1
10A	06261547	PAKNINGSKIT F. SKRUEKOBL. GASKET KIT FOR SCREW COUPLING	1
11	06050842	KEMIRØR 15 GR. BUK, Ø8X1X622 DETERGENT PIPE 15 DEG., Ø8X1X622	1
11	06110475	HØJTRYKSSLANGE DN8X10M HIGH PRESSURE HOSE, 3/8"X3/8" NIPPLE, Ø8 MM 10 M	1
11	06110626	HØJTRYKSSLANGE DN8X8 HIGH PRESSURE HOSE, 3/8"X3/8" NIPPLE, Ø8 MM 8 M	1
11	06110636	HØJTRYKSSLANGE, DN8X10M HIGH PRESSURE HOSE, DN8X10M	1
12	06260936	PAKNINGSKIT F. SKRUEKOB. GASKET KIT FOR SCREW COUPLING	1
12	06261130	BESLAG FOR TURBO LASER FITTINGS FOR TURBO LASER	1
13	06261646	HUS FOR TURBO LASER, Ø2,0 HOUSING FOR TURBO LASER, Ø2.0	1
14	06261371	TURBO LASER KIT, 4.0 TURBO LASER KIT, 4.0	1
14A	06120544	O-RING, 36.0X1,78 O-RING, 36.0X1,78	1
14F	06120282	O-RING, 14X1,78 O-RING, 14X1,78	1
14H	06180533	DYSE, Ø10X12 NOZZLE, Ø10X12	1
15	06180936	LÅG FOR TURBO LASER COVER FOR TURBO LASER	1
16	06090234	DYSE HÆRDET 1/4-1503,5 FLAT JET NOZZLE 15°, 3,5	1
17	06180780	DYSEHOLDER, 17X20 NOZZLE HOLDER, 17X20	1
18	06180779	KEMIDYSE, Ø10X22 DETERGENT NOZZLE, Ø10X22	1

Pistol 98 / Pistol 98 / Pistole 98 / Pistolet 98

Pos.	Ref. no.	Bezeichnung Description	3000 / 3000 A
19	06180781	DYSEHALTER FOR KEMI, 17X20 NOZZLE HOLDER FOR DETERGENTS, 17X20	1
20	06200226	DYSEBESKYTTER NOZZLE PROTECTION, PLASTIC	2
21	06070497	SKRUE, 5X22 SCREW, 5X22	1
22	06080123	MØTRIK, M5 NUT, M5	1
23	06050941	KEMI-RØR, RUSTFRI, Ø13X1,5X591 DETERGENT PIPE, STAINLESS, Ø13X1,5X591	1
24	06050940	SPULERØR, RUSTFRI, Ø13X1,5X596 LANCE, STAINLESS, Ø13X1,5X596	1
25	06260537	BESLAG F. DOBB. SPULERØR FITTINGS FOR DOUBLE LANCE	1
26	06181232	DYSEHALDER FOR KEMI, Ø18X26 NOZZLE HOLDER FOR DETERGENTS, Ø18X26	1
27	06200374	DYSEBESKYTTER DOBBELT NOZZLE PROTECTION, PLASTIC, DOBBLE	1
28	06181233	DYSEHALDER, Ø18X26 NOZZLE HOLDER, Ø18X26	1
28-31	06260382	ENKELT SPULERØR 600 MM SINGLE LANCE - SCREW - 600 MM, EXCL.NOZ	1
29	06030485	SKRUEKOBLING, 1/4" INDV. SCREW COUPLING, 1/4"	1
30	06050116	SPULERØR, RUSTFRI, Ø13X586 LANCE, STAINLESS, Ø13X586	1
31	06200375	DYSEBESKYTTER ENKELT NOZZLE PROTECTION, PLASTIC, SINGLE	1
35	06261965	SPECTRUM KIT, 135 SPECTRUM KIT, 135	1



Pistol / Pistol / Pistole / Pistolet

Pos.	Ref. no.	Betegnelse Description	Bezeichnung Description	3000 / 3000 A
0	06290080	PISTOL LANG M. QUICK PISTOL WITH QUICK COUPLING	PISTOLET 3/8 EME	1
01	06261543	SERVICEKIT F. PISTOL MTM SERVICE KIT FOR PISTOL , MTM	KIT F. PISTOLE MTM KIT DE SERVICE P.PISTOLET	1
02	06050981	TILGANGSRØR INLET PIPE	EINLASSROHR F. PISTOL TUBE D'ENTREE PISTOLET	1
04	06200384	SIKKERHEDSPAL SAFETY LOCK	SPERRVORRICHTUNG ARRET DE SURETE MTM	1
05	06200420	PISTOLKROP PISTOL HOUSING	PISTOLKÖRPER RECHTS CORPS DE PISTOLET	1
06	06200421	PISTOLKROP PISTOL HOUSING	PISTOLKÖRPER LINKS CORPS DE PISTOLET	1
07	06051045	FORRØR FOR PISTOL FRONT PIPE FOR PISTOL	TUBE AVANT PISTOLET290080	1
08	06200525	KAPPE CAP	CACHE TUBE PISTOLET290080	1
09	06200524	KAPPE CAP	CACHE TUBE PISTOLET290080	1
10	06262246	KIT FOR LYNKOBLING KIT FOR QUICK COUPLING	KIT JOINTS RACCORD RAPIDE	1
11	06110475	HØJTRYKSSLANG DN8X10M HIGH PRESSURE HOSE, 3/8"X3/8" NIPPLE, Ø8 MM 10 M	HOCHDRUCKSCHLAUCH M. SCHRAUBENKUPPLUNGEN TUYAU H.P.SCHIF.-AV.RAC.AEER A/RAC. A VIS	1
12	06260936	PAKNINGSKIT F. SKRUEKOB. GASKET KIT FOR SCREW COUPLING	DICHTUNGSKIT F. SCHRAUBENKUPPLUNG KIT JOINT RACCORD VIS VIS	1
13	06262287	MUFFE, 1/4"-1/4" SOCKET, 1/4"-1/4"	MANCHON P/PISTOLET 290080	1
14	06262286	KOBLING COUPLING	RACCORD VIS P/PISTOLET	1
15	06262284	OMLØBER COUPLING NUT	ECROU D/RACCORD P/PISTOLE	1
16	06262285	KOBLING COUPLING	RACCORD P/PISTOLET 290080	1