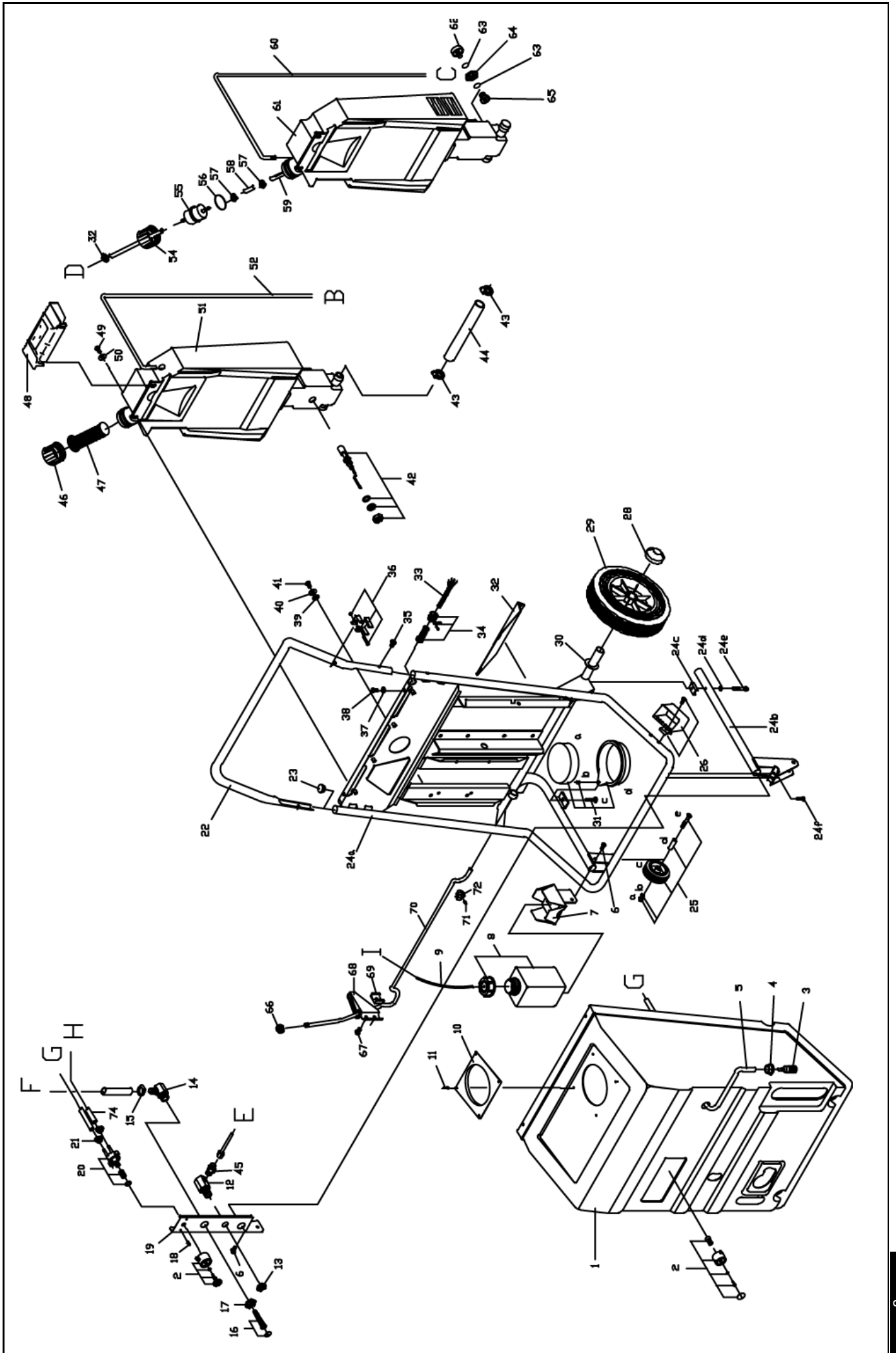

N/G- 4000C

Reservedelsliste
Spare parts list
Ersatzteilliste
Liste de pièces détachées

Karosse / Body / Karosserie / Carrosserie	2
Pumpe / Pump / Pumpe / Pomp	8
Motor / Motor / Motor / Moteur	12
Oliefyr/kedel / Oliburner/boiler / Ölbrenner/Kessel / Brulerur/chaudière	17
Kedel/spiral / Boiler/heating coil / Kessel/Spirale / Chaudière/serpentin	22
EI-komponenter / Electric components / Elektrische komponente / Composantes électrique	24
Pistol 98 / Pistol 98 / Pistole 98 / Pistolet 98	27
Pistol / Pistol / Pistole / Pistolet	29
Spulerør / Lances / Lanzen / Lance	31



Karosserie / Body / Karosserie / Carrosserie

Pos.	Ref. no.	Belegelse Description	Bezeichnung Description	4100 C	4500 C
0	06120506	GUMMIPAKNING F. NIVEAUFØL RUBBER GASKET FOR LEVEL PROTECTOR	DICHTUNG F. NIVEAUKONT. JOINT POUR CONTROLE DE NI	1	1
0	06160074	EL-STIK, 10AMP-380V *DK ELECTRIC PLUG, 10AMP-380V *DK	EL-STIECKER STOFFEST GRUEN/ROT *DK PRISE EL.RESISTANT AU CHOC *DK	1	1
0	06160352	EL-STIK, *DK ELECTRIC PLUG, *DK	EL-STIECKER M. ERDLEITER STOFFEST PRISE ELECTRIQUE DE TERRE MALE	1	1
0	06160654	EL-STIK, *D CEE16 ELECTRIC PLUG, *D CEE16	EL-STIECKER FINLAND BREMSNR. TYP1302 PRISE ELEC. FINLANDE PONY TYPE 1302	1	1
0	06160928	EL-STIK, *D CEE5 ELECTRIC PLUG, *D CEE5	EL-STIECKER 5POLIG PHASENWENDER PRISE ELECTRIQUECEE 5-POLCEE 5-POLAIRES	1	1
0	06300495	TRANSFERS, 2000/3000 TRANSFERS, 2000/3000	KLEBSTREIFEN DIESELOEL AUTOCOLLANT HUILE DIESEL	1	1
0	06301097	TYPESKILT, 45X65 MM TYPE PLATE, 45X65 MM	TYPESCHILD GRAU AUTOCOLLANT G-480	2	2
0	06301499	TRANSFERS, G4100C TRANSFERS, G4100C	KLEBSTREIFEN G-4100 AUTOCOLLANT G 4100	1	1
0	06301500	TRANSFERS, G4500 TRANSFERS, G4500	KLEBSTREIFEN G-4500 AUTOCOLLANT G-4500	1	1
0	06301553	TRANSFERS, N4100 TRANSFERS, N4100	KLEBSTREIFEN N-4100 AUTO-COLLANT NF-4100	1	1
0	06301554	TRANSFERS, N4500 TRANSFERS, N4500	KLEBSTREIFEN N-4500 AUTO-COLLANT NF-4500	1	1
0	06301613	TRANSFERS CLASSIC	TRANSFER CLASSIC AUTOCOLLANT "CLASSIC"	1	1
0	06301663	TRANSFER "CE" TRANSFERS "CE"	TRANSFERS CE MARKE AUTOCOLLANT	1	1
01	06240249	KAROSSE GRØN, 4000 BODY GREEN, 4000	KAROSSERIE CARROSSERIE 4500= 240285	1	1
01	06240250	KAROSSE GRÅ, 4000 BODY GREY, 4000	KAROSSERIE GRAU CARROSSE GRIS NF-4000	1	1
02	06261769	PLASTKNAPKIT BUTTON KIT, PLASTIC	KIT F. PLASTIK KNOPF KIT POUR BOUTON EN	2	2
03	06100355	FILTER F. RENGØRINGSMIDDEL FILTER FOR DETERGENT	FILTER F. REINIGUNGSMITTEL FILTRE G-4000	1	1
04	06120380	STOPRING FOR KEMI, Ø30X11 STOP RING FOR DETERGENT, Ø30X11	STOPPRING F. REINIGUNGSMITTEL ANNEAU ARRETNT NT	1	1
05	06110423	KEMISLANGE, 1/4" X 1450 MM DETERGENT HOSE, 1/4" X 1450 MM	REINIGUNGSMITTELSCHLAUCH, AUSSEN G-600 TUYAU	1	1
06	06070394	SKRUE, 8X16 SCREW, 8X16	TAPTITTE ØKT GALV. VIS	2	2
07	06061294	BESLAG FOR DUNK AFKALKING FITTINGS FOR TANK DECALCIFICATION	BESCHALG F. TANK ENTKALKUNG ARMATURE P.RESERV.DECALCIFICATION	1	1
08	06150099	FLASKE M. LAG BOTTLE W. COVER	KAUTEK FLASCHE M/DECKEL BOCAL P/SYSTEME ANTI CALC	1	1

Karosseri / Body / Carrosserie / Carrosserie

Pos.	Ref. no.	Belegning Description	Belegning Description	4100 C	4500 C
09	06110354	PLASTSLANGE, Ø3X900 PLASTIC HOSE, Ø3X900	PLASTIKSCHLAUCH F. ENTKALKUNG BRIDE EN PLASTIQUE	1	1
10	06061219	AFDEKKNING FOR SKORSTEN, 166X166X0,7 COVERING FOR CHIMNEY, 166X166X0,7	ABDECKEN F. SCHORNSTEIN COVERCLE G-4000	1	1
11	06070818	POPNIITTE, RUSTFRI, 4X9,5 TUBULAR RIVET, STAINLESS, 4X9,5	POPMUTTER RIVET G-4000/ACIER /ACIER	4	4
12	06181266	AFGANGSSTUDS, 32X70 OUTLET SOCKET, 32X70	RACCORD DE DEPART, 32X70	1	1
13	06190062	MØTRIK, 27X10 NUT, 27X10	GEGENMUTTER CONTRE-ECROU LAITON M22 X	1	1
14	06211591	TILGANGSSTUDS KPL.	RACCORD D'ENTREE CPL.	1	1
15	06110471	SPÆNDEBAND, 14-32 RETAINING RING, 14-32	SCHLAUCHSCHELLE HS12 FRETTE	1	1
16	06261523	KIT FOR VANDFILTER KIT FOR WATER FILTER	KIT F. WASSERFILTER KIT P.FILTRE D'EAU G-4000	1	1
17	06181129	MØTRIK, 36X8 NUT, 36X8	GEGENMUTTER ECROU G-3000	1	1
18	06070355	SELVSKÆRENDE SKRUE, 3,5X9,5 SELF-TAPPING SCREW, 3,5X9,5	SELBSTSCHR. SCHRAUBE VIS CONIQUE	2	2
19	06061224	PLADE FOR TIL-/AFGANG, 355X119,5X2,0 PLATE FOR INLET/OUTLET, 355X119,5X2,0	PLATTE F. EINLASS/AUSSLASS PLAQUE P. ENTREE/DEPART	1	1
20	06211201	PLASTVENTIL KOMPLET PLASTIC DETERGENT VALVE CPL.	PLASTIK REINIGUNGSMITTELVENTIL KPL. VANNE PLASTIQUE G-2000/60ST. CPL.	1	1
21	06110494	SPÆNDEBAND, 10-12 RETAINING RING, 10-12	SCHLAUCHSCHELLE 8- FRETTE	2	2
22	06050908	KØREHANDTAG, Ø25X21235 OPERATION HANDLE, Ø25X21235	FAHRHANDGRIFF BRANCARD G-4000	1	1
23	06200064	DUPSKO, 25 CAP, 25	KAPPE BOUT	2	2
24A -	06211405	STEL, KPL., 4000 FRAME, CPL., 4000	GESTELL CADRE	1	1
24B	06211599	RØR FOR STEL PIPE FOR FRAME	TUYAU P. CADRE	1	1
24C	06200103	AFSTANDSSTYKKE DISTANCE PIECE	ZWISCHENSTUECK ENTRETOISE	1	1
24D	06080004	SPÆNDESKIVE, 8,4X17X1,6 TENSION DISC, 8,4X17X1,6	FEDERSKEIBE, GALV. RONDELLE	1	1
24E	06070747	SÆTSKRUE, M8X45 SET SCREW, M8X45	VIS D'ARRET, M8X45	1	1
24F	06070832	TAP TITE, M6X12 TAP TITE, M6X12	TAPTITE	2	2
25	06261525	NÆSEHJUL KPL. NOSEWHEEL CPL.	BUGRAD KPL. ROUE POUR G-4000	2	2

Karosser / Body / Karosserie / Carrosserie

Pos.	Ref. no.	Belegelse Description	Bezeichnung Description	4100 C	4500 C
25A	06080141	MØTRIK, M8 NUT, M8	MUTTER ECROU	1	1
25B	06080004	SPÆNDESKIVE, 8,4X17X1,6 TENSION DISC., 8,4X17X1,6	FEDERSKHEIBE, GALV. RONDELLE	1	1
25C	06130206	HJUL, Ø80X35 WHEEL, Ø80X35	RAD ROUE G-4000	1	1
25D	06050933	BØSNING, Ø12X1,5X35,5 SLEEVE, Ø12X1,5X35,5	BUCHSE DOUILLE	1	1
25E	06070807	SKRUE, 8X55 SCREW, 8X55	BOLZEN BOULON	1	1
26	06261363	MONTAGEKIT	MONTAGEKIT KIT DE MONTAGE	1	1
28	06280200	LÅSESKIVE, Ø25 LOCK WASHER, Ø25	ENJOLIVEUR ROUE	2	2
29	06130222	HJUL, 25/65-275/70 WHEEL, 25/65-275/70	ROUE PLEINE DURE	2	2
30	06080075	SPÆNDESKIVE, 45X25,5X1,5 TENSION DISC., 45X25,5X1,5	FEDERSKHEIBE F. RAD, GALV. RONDELLE DE SERRAGE POURROUE	2	2
31	06261585	OLIEOPSAMLINGSBAKKE KPL. OIL ACCUMULATION TRAY CPL.	OELANSAMLUNGSVORRICHTUNG KPL. BASSIN A GAS-OIL CPL.	1	1
31A	06120481	SVAMP SPONGE	OELANSAMLUNGSSCHWAMM MOUSSE RECUPERATION D'HUI	1	1
31B	06080225	GEVINDBØSNING, M5 THREAD BUSHING, M5	GEWINDEBUECHSE ECROU PRISONNIER	1	1
31C	06070822	SKRUE, 5X16 SCREW, 5X16	SCHRAUBE VIS 5X16	1	1
31D	06200378	OLIEOPSAMLINGSBAKKE OIL RESERVOIR	OELANSAMLUNGSBAKKE RECEPTACLE A GAS-OIL	1	1
32	06061287	FODPLADE, 190X200X1,5 BASEPLATE, 190X200X1,5	GRUNDPLATTE PLAQUE	1	1
33	06160156	TILGANGSKABEL GUMMI, 4X1,5X8000 INLET CABLE RUBBER, 4X1,5X8000	GKSOJ-HAUPTKABEL CABLE ALIMENTAT.=160708	1	1
33	06160494	TILGANGSKABEL GUMMI, 3/4X8000 INLET CABLE RUBBER, 3/4X8000	EINLASSKABEL GUMMI, 110V CABLE D'ENTREE EN CAOUTCHOUC, 110 V	1	1
33	06160664	TILGANGSKABEL, GUMMI SPAN IEN	EINLASSKABEL GUMMI, SPANIEN CABLE D'ENTREE EN CAOUTCHOUC, L'ESPAGNE	1	1
33	06160741	ELSTIK M. KABEL, PLAST, *GB ELECTRIC PLUG W. CABLE, PASTIC, *GB	STECKER M/PLASTIK KABEL UK PRISE ELECTRIQUE A. CABLE PLASTIQUE	1	1
33	06160745	TILGANGSKABEL GUMMI, 3X1,5X8000 INLET CABLE RUBBER, 3X1,5X8000	EINLASSKABEL GUMMI CABLE D'ENTREE EN CAOUTCHOUC	1	1
34	06261857	KABELGENNEMFØRINGSKIT, 3/4X1,5 CABLE GROMMET KIT, 3/4X1,5	KABELDURCHFØHRUNGSKIT KIT DE TRAVERSEE DE CABLE	1	1
34	06261859	KABELGENNEMFØRINGSKIT, 3/4X4,0 CABLE GROMMET KIT, 3/4X4,0	KIT DE TRAVERSEE DE CABLE, 3/4X4,0	1	1

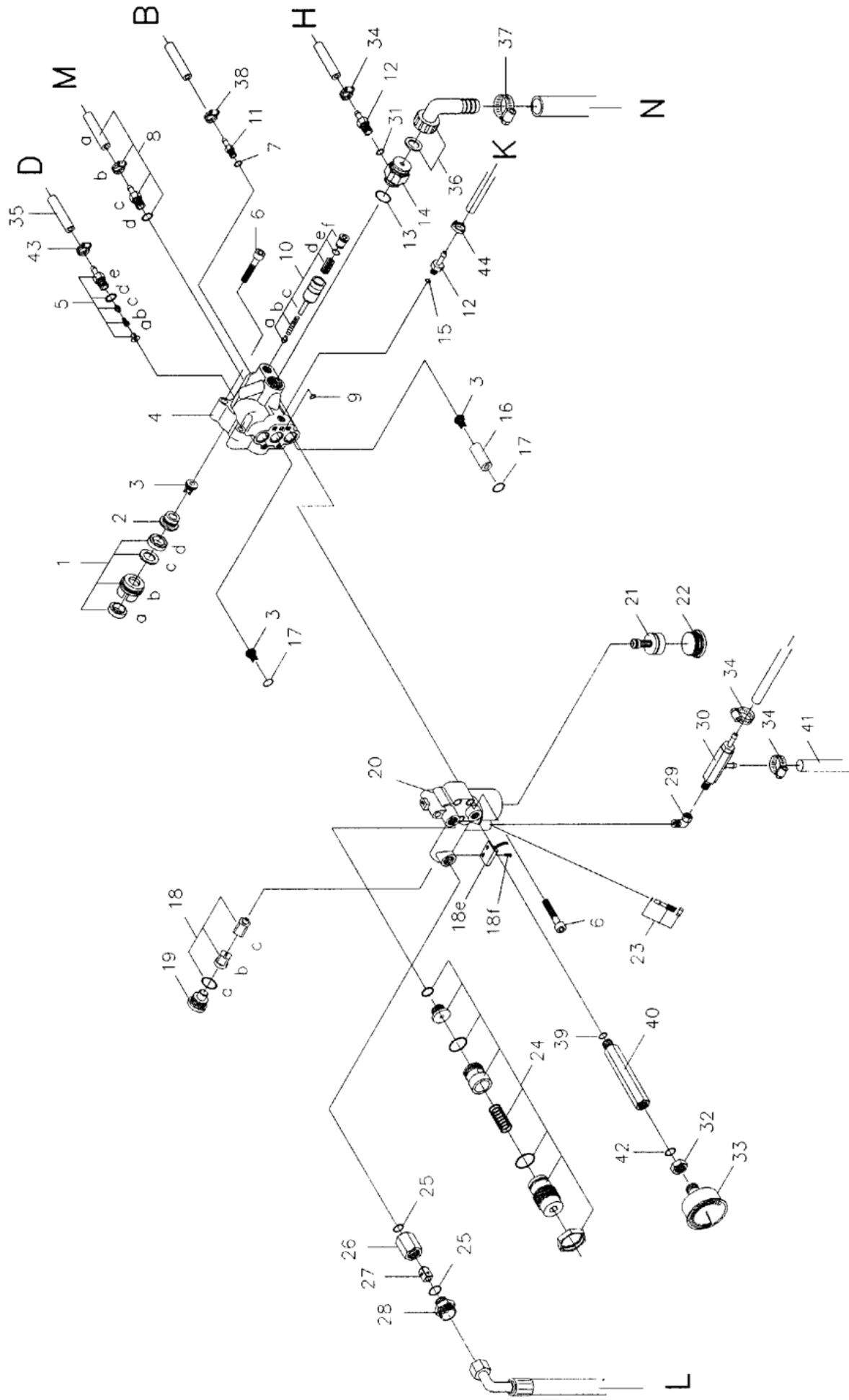
Karosserie / Body / Carrosserie

Pos.	Ref. no.	Belegelse Description	Bezeichnung Description	4100 C	4500 C
35	06070794	TAP TITE, M8X16 TAP TITE, M8X16	TAP TITE TAP TITE	2	2
36	06260829	HOLDER FOR PISTOL HOLDER FOR PISTOL	HALTER FUER PISTOLE 5 KIT G-100 SUPPORT POUR PISTOLET G 6KIT G-100	1	1
37	06080016	SPÆNDESKIVE, 6 MM TENSION DISC, 6 MM	FEDERSKIBE, GALV. RONDELLE DE SERRAGE	2	2
38	06070435	SKRUE, M6X16 SCREW, M6X16	TAP TITE PIK, GALV. VIS M6X16 2300/2500/2700	2	2
39	06080214	GUMMISKEIVE, Ø20XØ8X1,5 RUBBER DISC, Ø20XØ8X1,5	GUMMISKEIBE DISQUE EN CAOUTCHOUC	4	4
40	06080221	SPÆNDESKIVE, M8 TENSION DISC, M8	FEDERSKIBE RONDELLE DE SERRAGE	4	4
41	06070806	SÆTSKRUE, M8X35 SET SCREW, M8X35	SETZSCHAUBE VIS D'ARRET	4	4
42	06261666	NIVEAUFØLER LEVEL CONTROL	NIVEAUFØHLER KPL. JAUGE DE NIVEAU G-3000/40	1	1
43	06110206	SPÆNDEBÅND, 22-32 RETAINING RING, 22-32	SCHLAUCHSCHELLE ALLE KALTWASSER COLLIER DE SERRAGE	2	2
44	06110567	TANKFORBINDELSSESLANGE SHAPED HOSE, 27 MM*MAX 235 MM	TANDVERBINDUNG TUYAU	1	1
45	06030037	HYDRAULIKFORSKR, 3/8"-10/12 HYDRAULIC SCREWED CONNECTION, 3/8"-10/12	HYDRAULIKVERSCHRAUBUNG JOINT HYDRAULIQUE	1	1
46	06200271	KAPSEL M. HÆTTE, 60 MM JACKET W. CAP, 60 MM	KAPSEL 60 MM M. KAPPE BOUCHON DE RESERVOIR/MANC/MANCHON	2	2
47	06100353	FILTERSI, Ø44X80 1CN STRAINER, Ø44X80 1CN	BRENNSTOFFFILTER FILTRE GAS OIL =100317	1	1
48	06200349	TANKAFDÆKNING, 4000 TANK COVER, 4000	TANKPFROFEN CADRE GAS OIL G-4800	1	1
49	06070454	UNBRACO SKRUE, M6X25 ALLEN SCREW, M6X25	IMBUSSBOLZEN BOULON	4	4
50	06080157	SPÆNDESKIVE, M6 TENSION DISC, M6	FEDERSKIBE, GALV. RONDELLE DE SERRAGE	4	4
51	06150157	TANK, VENSTRE, G-4000 TANK, LEFT, G-4000	TANK BRENNSTOF LINKS RESERV. FUEL G REMPL262360	1	1
52	06110531	SLANGE, 830 MM HOSE, 830 MM	SCHLAUCH TUYAU GAS OIL	1	1
54	06200372	LÅG M. HUL COVER W. HOLE	BRENNSTOFFDECKEL MIT LOCH COUVERCLE P. GAS-OIL A. TROU NG-4000	1	1
55	06230327	BRÆNDSTOFFFILTER FUEL FILTER	BRENNSTOFFFILTER FILTRE A GASOIL G-3000	1	1
56	06120252	O-RING, Ø42X2 O-RING, Ø42X2	O-RING JOINT	1	1
57	06110487	SPÆNDEBÅND, Ø12,0 - Ø14,0 RETAINING RING, Ø12,0 - Ø14,0	SCHLAUCHSCHELLE ANNEAU	2	2

Karosserie / Body / Carrosserie / Carrosserie

Pos.	Ref. no.	Bezeichnung Description	4100 C	4500 C
58	06110535	PLASTSLANGE, 5/16X60 PLASTIC HOSE, 5/16X60	1	1
59	06110528	BRÆNDSTOFRØR, Ø8X1X645 FUEL PIPE, Ø8X1X645	1	1
6 - 9	06261654	BLØDGØRINGSANLÆG SYST ANTI CLACAIRE	1	1
60	06261645	BRÆNDSTOFSLANGE RETUR, KPL. FUEL HOSE RETURN, CPL.	1	1
61-65	06261660	BRÆNDSTOFTANK, KPL. FUEL TANK, CPL.	1	1
62	06180579	BUNDPROP, Ø24X20 BOTTOM CAP, Ø24X20	1	1
63	06120232	O-RING, 15X3 O-RING, 15X3	2	2
64	06181288	MØTRIK NUT	1	1
65	06181287	NIPPEL NIPPLE	1	1
66	06200288	KUGLE, M10 Ø32 BALL, M10 Ø32	1	1
68	06061277	BLANKET F. TIL-/AFGANGSPLADE	1	1
69	06200103	AFSTANDSSTYKKE DISTANCE PIECE	2	2
70	06040193	BREMSESTANG, Ø10X1000 4000 BRAKE LEVER, Ø10X1000 4000	1	1
71	06070478	PINOLSKRUE, M6X8 POINTED SCREW, M6X8	1	1
72	06181005	BØSNING, Ø25X22 SLEEVE, Ø25X22	1	1
73	06110609	SPÆNDEBAND, 13 RETAINING RING, 13	1	1
74	06110529	ARMERET PLASTSLANGE 1/4 X ARMORED PLASTIC HOSE 1/4	1	1

Pumpe / Pump / Pumpe / Pomp



Pumpe / Pump / Pumpe / Pomp

Pos.	Ref. no.	Betegnelse Description	Bezeichnung Description	4100 C	4500 C
01	06261489	KIT FOR MANCHET KIT FOR CUP	KIT F. MANSCHETTE KIT P.COUPELLE G-310/350/	1	1
02	06181032	STØTTEBØSNING, Ø25,8X16 SUPPORTING SLEEVE, Ø25,8X16	STUETZBUCHSE BAGUE DE SUPPORT	3	3
03	06261490	KIT FOR VENTIL, 300/400 50 HZ KIT FOR VALVE, 300/400 50 HZ	KIT F. VENTIL KIT POUR VANNE G300/400/8	1	1
03	06261599	VENTILKIT KIT FOR VALVE, 880 50/60 HZ	KIT VENTILE KIT CLAPETS	1	1
04	06181275	TOPSTYKKE, 4000B CYLINDER HEAD, 4000B	ZYLINDERKOPF CULASSE G-4500 CLASSIC	1	1
05	06261537	SUGESTUDS OLIEPUMPE KPL. SUCTION SOCKET OIL PUMP	SAUGSTUTZEN OELPUMPE RAC.ASPI.POMPE GAS-OIL CPE A GAS-OIL CPL	1	1
06	06070451	UNBRACO SKRUE, M8X45 ALLEN SCREW, M8X45	IMBUSSBOLZEN, GALV. INTRAVIS GALV.	8	8
08	06261644	BRÆNDSTOFSLANGE TILGANG, KPL. FUELHOSE INLET, CPL.	OELSCHLAUCH EINLASS TUYAU ENTREE FUEL	1	1
08B	06110494	SPÆNDEBÅND, 10-12 RETAINING RING, 10-12	SCHLAUCHSCHELLE 8- FRETTE	1	1
1 - 3	06261716	KIT FOR PUMPE, 4000 50 HZ KIT FOR PUMP, 4000 50 HZ	PUMPEKIT G4000 50HZ KIT POMPE G 4000	1	1
1 - 3	06261717	KIT FOR PUMPE, 60 HZ 4000 KIT FOR PUMP, 60 HZ 4000	PUMPEKIT G4000 60HZ KIT POMPE G-4000	1	1
1 - 31	06261656	KIT O-RINGE/PUMPE, 4000C KIT O-RINGS/PUMP, 4000C	O-RING KIT KIT JOINTS TORI.POMP4000C	1	1
1 - 31	06360190	PUMPE KPL., G4000C 50 HZ PUMP CPL., G4000C 50 HZ	PUMPE OHNE BOGENSCHEIBE POMPE CPL. 50 HZ 4501C	1	1
1 - 31	06360191	PUMPE KPL., G4000 60 HZ PUMP CPL., G4000 60 HZ	PUMPE OHNE BOGENSCHEIBE POMPE CPL., G4000 60 HZ	1	1
10	06261535	JUSTERSKRUE OLIEPUMPE ADJUSTING SCREW OIL PUMP	JUSTIERSCHRAUBE OELPUMPE VIS REGL.POMPE GAS-OIL G-S-OIL	1	1
10F	06181063	JUSTERSKRUE, M14X16,5 ADJUSTING SCREW, M14X16,5	JUSTIERSCHRAUBE OELMESSSTAB VIS DE REGLAGE BOUCHON G-4000	1	1
11	06181062	STUDS, 13X33 SOCKET, 13X33	RUECKSTUTZEN OELPUMPE RACCORDA GAS-OIL A GAS-OIL	1	1
12	06181277	KEMISTUDS, 13X28 DETERGENT SOCKET, 13X28	CHEMIE STUTZEN RACCORD DE DETERGENT NG	2	2
14	06181285	SUGEKLODS, 27X32 SUCTION BLOCK, 27X32	SAUGKLOTZ BLOC D'ASPIRATION G-881	1	1
15	06120497	USITRING, 1/8" USITRING, 1/8"	JOINT USIT, 1/8"	2	2
16	06181033	AFSTANDSSTYKKE, Ø15,3X37,5 DISTANCE PIECE, Ø15,3X37,5	ZWISCHENSTUECK PIECE INTERMEDIAIRE	1	1
18	06261632	FLOWSTYRING KPL., 880 FLOW CONTROL CPL., 880	FLOWSWITCH KIT FLOW-SWITCH POMPE 1 G	1	1

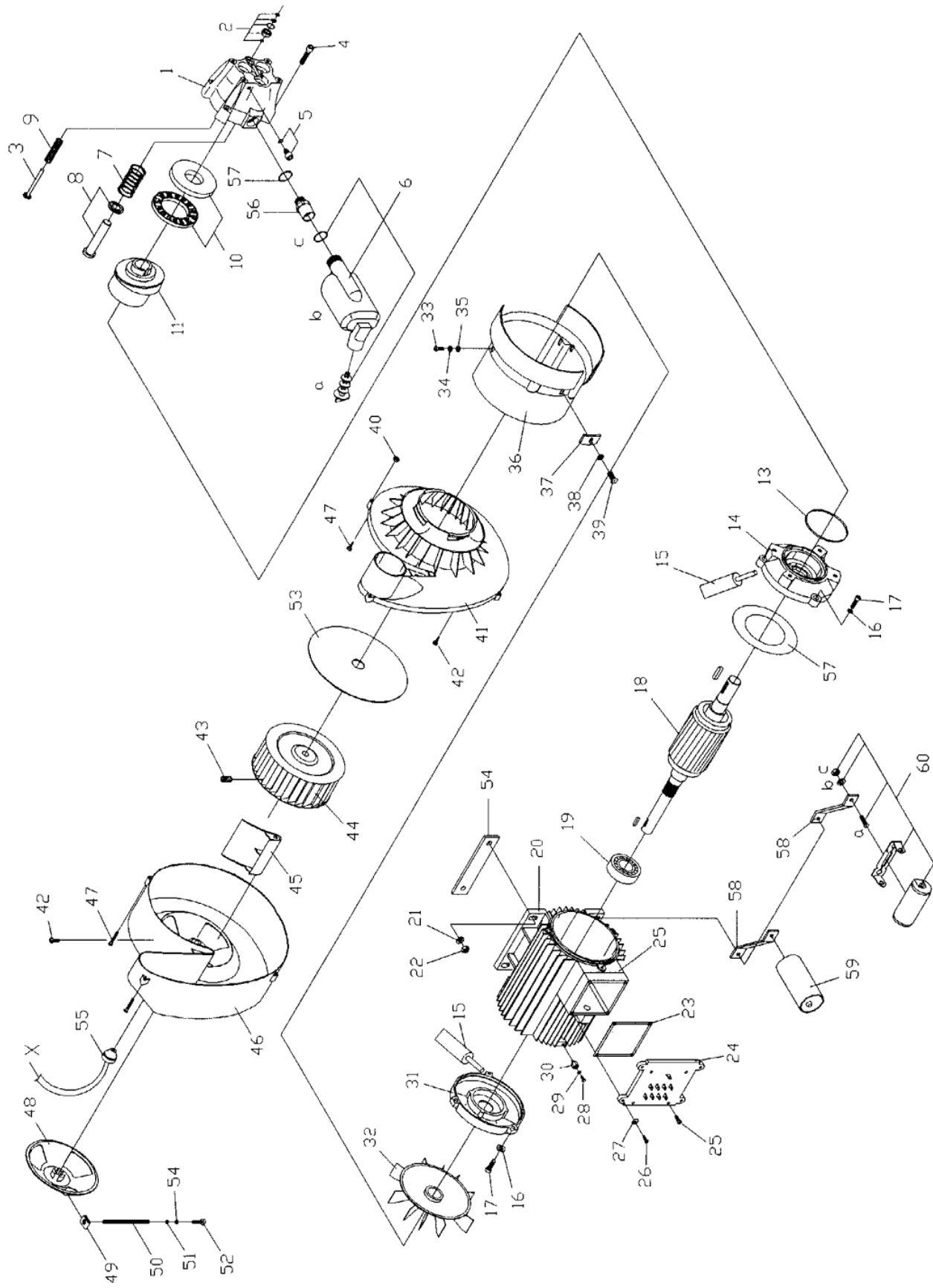
Pumpe / Pump / Pumpe / Pompe

Pos.	Ref. no.	Betegnelse Description	Bezeichnung Description	4100 C	4500 C
18B	06211353	FLOWSTEMPEL KPL. FLOW PISTON CPL.	STROEMUNGSKOLBEN KPL. PISTON DE FLOW	1	1
18D	06211499	FØLER F. FLOW SWITCH, KPL.	REED SCHALTER, KPL. REED CONTACTEUR=170182	1	1
18E	06070736	SKRUE, 3X6 SCREW, 3X6	SCHRAUBE P/K VIS	2	2
19	06181130	PROP FOR AFGANG, Ø26X24 PLUG FOR OUTLET, Ø26X24	PFROPEN F. AUSSLASS - DRUCKMANIFOLD CAPUCHON DE DEPART	1	1
20	06181315	TRYKMANIFOLD PRESSURE MANIFOLD	DRUCKMANIFOLD CULASSE	1	1
20	06261755	TRYKMANIFOLD, KPL., G400/880/4000C PRESSURE MANIFOLD, CPL., G400/880/4000C	DRUCKMANIFOLD, KPL. CULASSE (R.0618)	1	1
21	06261485	OMLØBSVENTILKIT KIT FOR BY-PASS VALVE, G300/400/4000	KIT F. UMLAUFVENTIL KIT VAN-BY-PASS G310/350/	1	1
22	06181039	PROP FOR OMLØB, Ø38X17 PLUG FOR BY-PASS, Ø38X17	PFROPEN F. UMLAUF CAPUCHON POUR BY-PASS	1	1
23	06261488	JUSTERSKRUE OMLØB ADJUSTING SCREW - BY-PASS	STELLSCHRAUBE - UMLAUF VIS REGLAGE BY-PASSL. L.	1	1
24	06261487	SIKKERHEDSVENTILKIT KIT FOR SAFETY VALVE, 300/400	KIT F. SICHERHEITSVENTIL KIT VAN-SURETE G-300/400	1	1
24	06261740	SIKKERHEDSVENTIL KIT FOR SAFETY VALVE, 3/400/880/4000 MRK 2	SICHERHEITSVENTILKIT KIT VANNE DE SURETE	1	1
26	06181162	HUS FOR TILBAGESLAGSVENTIL, 22X44.5 HOUSING FOR NON-RETURN VALVE, 22X44.5	GEHAEUSE F. RUECKSCHLAGVENTIL CORPS POUR VANNE DE CONTRE-COUP	1	1
27	06180960	DRØVELVENTIL FOR FLOWST. THROTTLER VALVE FOR FLOW CONTROL, 11X11X18,8	DRØSELVENTIL F. STROEMUNGSKONTROLLE SOUPAPE RENIFL.P.COND.FLOONDUIJTE DE FLOW	1	1
28	06030757	FORSKRUNING, 3/8" SCREWED CONNECTION, 3/8"	HYDRAULIKVERSCHRAUBUNG KIT JOINT TUYAU CUIVRE +	1	1
29	06030730	VINKEL, 1/8"X1/8" ANGLE, 1/8"X1/8"	WINKEL ANGLE	1	1
30	06211590	KEMIVENTIL KPL. DETERGENT VALVE CPL.	REINIGUNGSMITTELVENTIL VANNE DE DETERGENT HP 450	1	1
32	06181042	MØTRIK, 19X6 NUT, 19X6	MUTTER F. MANOMETER ECROU POUR MANOMETRE	1	1
33	06220042	MANOMETER, 250 BAR PRESSURE GAUGE, 250/3600 BAR/PSI/E/TP	TURBO MANOMETER MANOMETRE	1	1
34	06110494	SPÆNDEBAND, 10-12 RETAINING RING, 10-12	SCHLAUCHSCHELLE 8- FRETTE	3	3
35	06110531	SLANGE, 830 MM HOSE, 830 MM	SCHLAUCH TUYAU GAS OIL	1	1
36	06030681	VINKELSTUDS, 3/4" ANGLE SOCKET, 3/4"	WINKELSTUTZEN PLASTIK RACCORD EQUERRE PLASTIQUE	1	1
37	06110471	SPÆNDEBAND, 14-32 RETAINING RING, 14-32	SCHLAUCHSCHELLE HS12 FRETTE	1	1

Pumpe / Pump / Pumpe / Pomp

Pos.	Ref. no.	Betegnelse Description	Bezeichnung Description	4100 C	4500 C
38	06110564	SPÆNDEBÅND RETAINING RING	SCHLAUCHSCHELLE ABA9 FRETTE	1	1
39	06120267	O-RING, Ø10,82X1,78 O-RING, Ø10,82X1,78	O-RING JOINT	1	1
40	06181202	MANOMETERSTUDS, KPL., G41/45/4600 PRESSURE GAUGE SOCKET, CPL., G41/45/4600	MANOMETERSTUTZEN RACCORD DE MANOMETRE G-45	1	1
41	06110493	KEMISLANGE, 1/4"X350 MM DETERGENT HOSE, 1/4"X350 MM	REINIGUNGS-SCHLAUCH F. HOCHD.RM. G-6000 TUYAU DETERGENTPRESSION GPRESSION G6000	1	1
42	06120440	O-RING, 12.00X2.00 O-RING, 12.00X2.00	O-RING JOINT TORIQUE	1	1
43	06110609	SPÆNDEBÅND, 13 RETAINING RING, 13	SCHELLE FRETTE ABA13	1	1
44	06110486	SPÆNDEBÅND, Ø9,65-Ø11,17 RETAINING RING, Ø9,65-Ø11,17	SCHLAUCHSCHELLE ANNEAU	1	1

Motor / Motor / Moteur



Motor / Motor / Motor / Moteur

Pos.	Ref. no.	Betegnelse Description	Bezeichnung Description	4100 C	4500 C
0	06120282	O-RING, 14X1,78 O-RING, 14X1,78	O-RING JOINT TORIQUE 14 X 1,78	1	1
0	06270070	DRIFTSKONDENSATOR, 230-240V/50HZ WORKING CAPACITOR, 230-240V/50HZ	BETRIEBSKONDENSATOR F/3HK TT, 50 MF CONDENSATEUR MOTEUR MONO/3 CV	1	
0	06270107	DRIFTSKONDENSATOR, 110V/50HZ WORKING CAPACITOR, 110V/50HZ	BETRIEBSKONDENSATOR 80UF CONDENSATEUR DE MISE EN MARCHÉ 80UF	2	
01	06181295	STEMPELSTYR, MRK. II PISTON GUIDE, MRK. II	KOLBENFUEHRUNG GUIDE PISTONS SERIE 4001	1	1
02	06261529	MANCHETKIT FOR OLIEPUMPE CUP KIT FOR OIL PUMP, MRK. I, NG4000 MRK. I	KIT F. MANSCHETTE OELPUMPE KIT RONDELLE POMPE GAS-OIAS-OIL	1	1
02	06261709	MANCHETKIT FOR OLIEPUMPE, NG4000 MRK II CUP KIT FOR OIL PUMP, NG4000 MRK II	KIT FÜR MANSCHETTE ÖLPUMPE KIT RONDELLE POMPE GASOIL	1	1
03	06181057	STEMPEL FOR OLIEPUMPE PISTON FOR OIL PUMP	KOLBEN F. OELPUMPE PISTON P.POMPE GO=262250	1	1
04	06070451	UNBRACO SKRUE, M8X45 ALLEN SCREW, M8X45	IMBUSSBOLZEN, GALV. INTRAVIS GALV. GALV.	4	4
05	06261494	OLIEAFTAPNINGSPROP KPL., 3/400,881,4001 DRAIN PLUG CPL., 3/400,881,4001	OELABLASSSTOPFEN KPL. CAPUCHON P.VID.G300/400IILL CPL.	1	1
06	06261718	OLIEGLASKIT OIL GLASS KIT	ÖLGLAS KIT VERRE HUILE	1	1
06C	06120466	O-RING, 18,72X2,62 O-RING, 18,72X2,62	O-RING JOINT TORIQUE	1	1
07	06280143	TILHOLDERFJEDER, 31X3,5X59 6,5VI PRESSURE SPRING, 31X3,5X59 6,5VI	DRUCKFEDER RESSORT DE PRESSION	3	3
08	06261504	STEMPELKIT 1 STK., G-300/400/4000 PISTON KIT 1 PCS., G-300/400/4000	KIT F. KOLBEN KPL. KIT PISTON CPL G310/350/4	3	3
09	06280144	FJEDER FOR OLIESTEMPEL, 15,5X1,5X55 9,5 SPRING FOR OIL PISTON, 15,5X1,5X55 9,5	RUECKGANGFEDER RESSORT PISTON HUILE G-40 G-4000	1	1
1-3	06261708	STEMPELSTYR KPL., MRK. I+II PISTOL GUIDE CPL., MRK. I+II	KOLBENFUEHRUNG GUIDE PISTON (R.06	1	1
10	06261684	KIT FOR TRYKLEJE, 350/400/4000	DRUCKLAGERKIT ROULEMENT DE G 350 (R.062	1	1
10-	06261675	SKRÅKIVEKIT, 7,52 CAM DISC KIT, 7,52	BOGENSCHEIBE KIT KIT DISQUE INCLINE (=0626	1	1
10-	06261676	SKRÅKIVEKIT, 6,32 CAM DISC KIT, 6,32	BOGENSCHEIBE KIT DISQUE INCLINE, KIT, 6,32	1	1
10-	06261677	SKRÅKIVEKIT, 7,00 CAM DISC KIT, 7,00	BOGENSCHEIBE KIT DISQUE INCLINE 50HZ	1	1
10-	06261678	SKRÅKIVEKIT, 5,94 CAM DISC KIT, 5,94	BOGENSCHEIBE KIT DISQUE INCLINE, KIT, 5,94	1	1
11-39	06360564	MOTOR, KPL., 1X230V/50HZ MOTOR, C.P.L., 1X230V/50HZ	MOTOR EINSCHL. BOGENSCHEIBE MOTOR CPL.TCLINE NG4100 CLINE NG4100	1	
11-39	06360565	MOTOR, KPL., 1X230V/60HZ MOTOR, C.P.L., 1X230V/60HZ	MOTOR EINSCHL. BOGENSCHEIBE MOTEUR Y INCLUS DISQUE INCLINE NG-4100	1	

Motor / Motor / Moteur / Moteur

Pos.	Ref. no.	Betegnelse Description	Bezeichnung Description	4100 C	4500 C
11-39	06360566	MOTOR, KPL., 1X110V/50HZ MOTOR, CPL., 1X110V/50HZ	MOTOR EINSCHL. BOGENSCHEIBE MOTEUR Y INCLUS DISQUE INCLINE NG-4100	1	
11-39	06360567	MOTOR, KPL., G4500 3X230-400V/50HZ MOTOR, CPL., G4500 3X230-400V/50HZ	MOTOR EINSCHL. BOGENSCHEIBE MOTEUR CPL.AV.DISQ.INCLINCLINE NG-4500	1	
11-39	06360568	MOTOR INCL. SKRÅSKIVE	MOTOR EINSCHL. BOGENSCHEIBE MOTEUR Y INCLUS DISQUE INCLINE NG-4500	1	
13	06120413	O-RING, 85X2,5 O-RING, 85X2,5	O-RING 70 GRAD JOINT TORIQUE	1	1
14	06270224	FLANGE INCL. LEJERING, 300/410/4100 FLANGE INCL. BEARING RING, 300/410/4100	LAGERFLANSCH BRIDE DE PALIER G-300/410	1	1
16	06080220	KOBBERSKIVE, Ø6,4XØ12,5X0,8 COPPER DISC, Ø6,4XØ12,5X0,8	FEDERSCHEIBE KUPFER RONDELLEIVRE IVRE	6	6
17	06070800	UNBRACO SKRUE, M6X30 ALLEN SCREW, M6X30	IMBUSS 8,8 GALV VIS CULASSE POUR G-880	6	6
18	06270268	ROTOR M/AKSEL, 1X110/230 50/60 ROTOR WITH AXLE, 1X110/230 50/60	ROTOR ROTOR 2 ARBRES	1	
18	06270269	ROTOR M/AKSEL, 3X400/415/50HZ ROTOR WITH AXLE, 3X400/415/50HZ	ROTOR ROTOR 2 ARBRES	1	1
19	06140039	KUGELEJE BALL BEARING	KUGELLAGER 6205 ZZR C3.L12 ROULEMENT 6205 G 600	1	1
21	06080004	SPÆNDESKIVE, 8,4X17X1,6 TENSION DISC, 8,4X17X1,6	FEDERSCHEIBE, GALV. RONDELLE	4	4
22	06080038	MØTRIK, M8 NUT, M8	SELBSTSCHLIESSENDE MUTTER, GALV. ECROU	4	4
23	06120443	PAKNING, 50 GR GASKET, 50 GR	DICHTUNG F. MOTOR JOINT CONSOLE ELECTRIQUE	1	1
24	06261596	TÆTNINGSPLADE M/STIK, G410-G4600 TIGHTENING PLATE WITH PLUG, G410-G4600	KIT FUR TERMINALPLATTE KIT P. PLAQUE TERMINALE.MMEZ90	1	1
25	06070466	SKRUE, 4X12 SCREW, 4X12	TAP TITE P/K, GALV. VIS 4 X 12	4	4
26	06070811	MØTRIK, M4X16 NUT, M4X16	ECROU, M4X16	4	4
27	06080226	SKÆRMSKIVE, Ø4X12X1 WASHER, Ø4X12X1	RONDELLE, □4X12X1	4	4
28	06070392	SKRUE, 5X10 SCREW, 5X10	TAP TITE P/K, GALV. TAP TITE T/L GALV.	1	1
29	06080088	STJERNESKIVE, GALV., Ø5 TOOTH LOCK WASHER, GALV., Ø5	STERNESCHEIBE, GALV. ROND A DENTS	1	1
30	06181147	AFSTANDSSKRUE, 11X18 DISTANCE SCREW, 11X18	ABSTANDSSCHRAUBE VIS DE REGLAGE	1	1
31	06270236	N-FLANGE N-FLANGE	N-FLANSCH N-BRIDE	1	1
32	06270238	VENTILATORVINGE, PLAST FAN BLADE, PLAST	VENTILATORFLUEGEL AILETTE SOUFFLANTE G 350	1	1

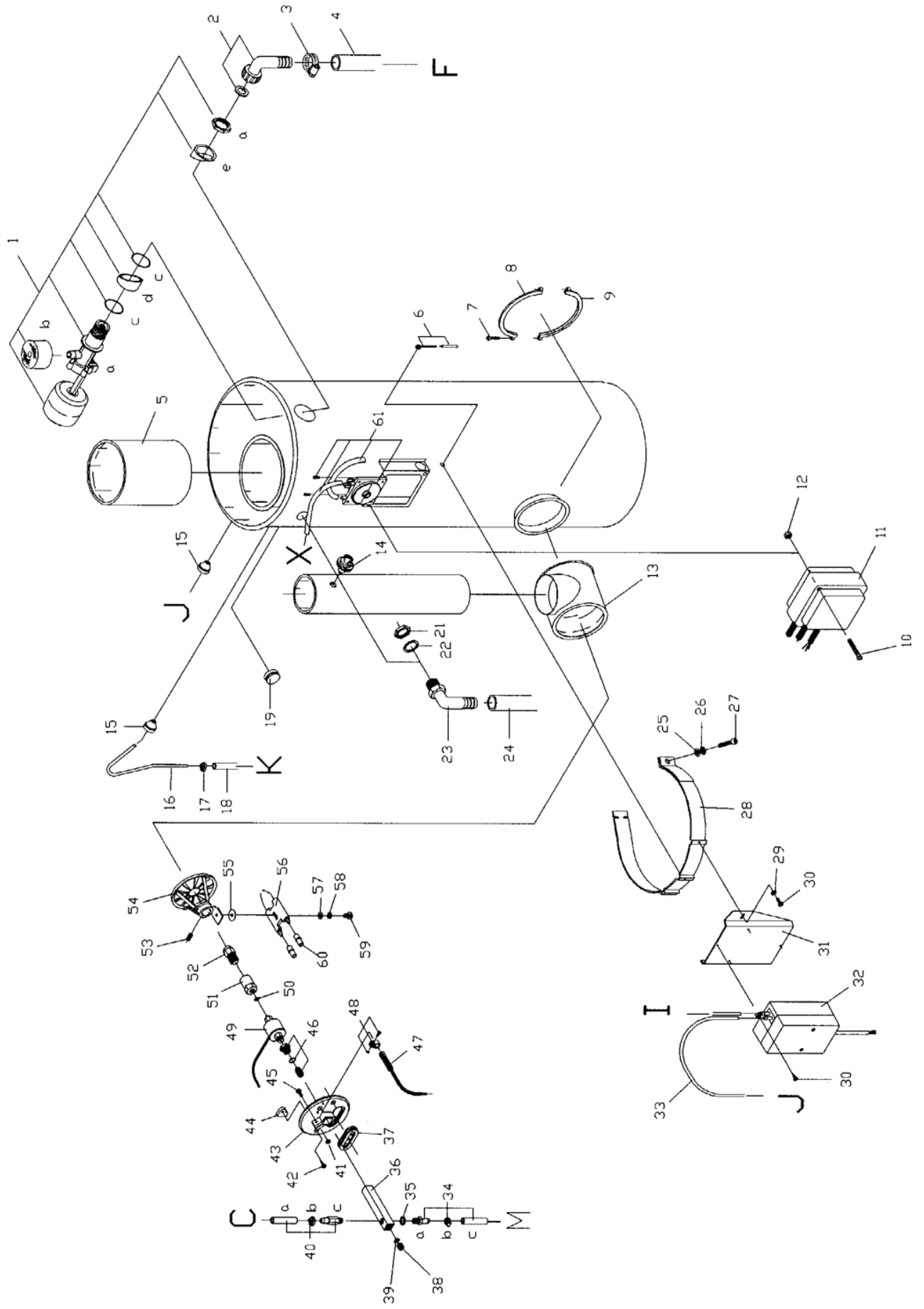
Motor / Motor / Moteur

Pos.	Ref. no.	Betegnelse Description	Bezeichnung Description	4100 C	4500 C
33	06070811	MØTRIK, M4X16 NUT, M4X16	ECROU, M4X16	2	2
34	06080014	SPÆNDESKIVE, M4 TENSION DISC, M4	FEDERSKIBE, GALV. RONDELLE DE SERRAGE	2	2
35	06080046	STJERNESKIVE, M4 TOOTH LOCK WASHER, M4	STERNSKIBE, GALV. RONDELLE	2	2
36	06270259	VENTILATIONSDEKSEL, MEZ 90/100 FAN COVER, MEZ 90/100	VENTILATIONSDECKL CARTER DE MOTEUR G-350	1	1
37	06200380	SPÆNDESTYKKE RECTANGULAR WASHER	SPANNSTUECK RONDELLE G-300/400/4000 S SOUF.	1	1
38	06080103	SPÆNDESKIVE, M5 TENSION DISC, M5	FEDERSKIBE, GALV. RONDELLE	1	1
39	06070358	SKRUE, 5X16 SCREW, 5X16	SCHRAUBE P/H 5X16 HFC 9041 VIS	1	1
40	06080223	GEVINDBØSNING, M4 THREAD BUSHING, M4	GEWINDEBUCHSE INSERT	5	5
41	06230317	BLÆSERHUS UNDERPART BURNER HOUSING UNDER PART	BRENNERGEHAUSES BODENKASTEN CORPS DE VENTILATION PARTIE INFÉRIEURE	1	1
42	06070385	SKRUE, 4,2X8 SCREW, 4,2X8	SELBSTSCHNEIDENDE SCHRAUBE VIS CONIQUE	3	3
43	06070840	UNBRACO SKRUE, M8X12 ALLEN SCREW, M8X12	REITSTOCKSCHRAUBE VIS M8 X 12	1	1
44	06230338	BLÆSERHJUL, Ø.200X62 IMPELLER WHEEL, Ø.200X62	GEBLÆSERAD ROUE SOUFFLEUSE	1	1
45	06230334	INDSATS FOR BLÆSERHUS, 4000 INSERT FOR IMPELLER HOUSING, 4000	EINSATZ F. GEBLÆSEGEHÄUSE VOLET DE VENTILATIONFFLANFLANTE	1	1
46	06230316	BLÆSERHUS OVERPART BURNER HOUSING UPPER PART	BRENNERGEHÄUSE OBERKASTEN CORPS DE VENTILATION PARTIE SUPÉRIEURE	1	1
47	06070342	SKRUE, 4X30 SCREW, 4X30	SCHRAUBE VIS	5	5
48	06230339	SPJÆLD FOR BLÆSERHUS DAMPER FOR IMPELLER HOUSING	SCHIEBER F. GEBLÆSEGEHÄUSE HELICETE	1	1
49	06080224	GEVIND CLIPS THREAD CLIP	PLATTEBUEGEL ARRÊT DU RESSORT	1	1
50	06280168	TRÆKFJEDER FOR LUFTSPJÆLD, Ø1,5X4 INDV.X10 SPRING FOR DAMPER, Ø1,5X4 INDV.X10	ZUGFEDER RESSORT	1	1
51	06080014	SPÆNDESKIVE, M4 TENSION DISC, M4	FEDERSKIBE, GALV. RONDELLE DE SERRAGE	2	2
52	06070816	SKRUE, 5X30 SCREW, 5X30	SKRUE VIS DANS LE RESSORT	1	1
53	06230349	AFDÆKNINGSPLADE COVER PLATE	ABDECKPLATTE PLAQUE DE COUVERTURE	1	1
54	06120454	VIBRATIONSPLADE, 144X38X6 VIBRATION PLATE, 144X38X6	SCHWINGUNGSTAFEL PLAQUE DE VIBRATIONS G-410/350/460	2	2

Motor / Motor / Moteur

Pos.	Ref. no.	Betegnelse Description	Bezeichnung Description	4100 C	4500 C
55	06120111	PAKDASE, C 5-7 STUFFING BOX, C 5-7	STOPFBUCHSE PRESSE-ETOUPE CAOUTCHOUC	1	1
56	06181240	FORSKRUNING FOR MANOMETER, 27X82 SCREWER CONNECTION FOR PRESSURE GAUGE,	VERSCHRAUBUNG FÜR ÖLGLAS RACCORD POUR MANOMETRE	1	1
57	06120466	O-RING, 18,72X2,62 O-RING, 18,72X2,62	O-RING JOINT TORIQUE	1	1
58	06061313	BESLAG FOR KONDENSATOR, 130X25X3 FITTINGS FOR CONDENSATOR, 130X25X3	ARMATURE P. CONDENSATEUR, 130X25X3	1	
59	06270183	KONDENSATOR, 60 ÁF CAPASITOR, 60 µF	BETRIEBSKONDENSATOR G-1500 CONDENSATEUR1500 1500	1	
60	06261763	KONDENSATOR, 400 ÁF CAPACITOR, 400 µF	KONDENSATOR KPL. CONDENSATEUR, 400 ÁF	1	
60A	06070742	SKRUE, 6X16 SCREW, 6X16	SCHRAUBE VIS 6X16 GALV.	1	
60B	06080157	SPÆNDESKIVE, M6 TENSION DISC, M6	FEDERSKEIBE, GALV. RONDELLE DE SERRAGE	1	
60C	06080062	MØTRIK, M6 NUT, M6	SELBSTSCHLIESSENDE MUTTER, GALV. ECROU INDESSERRABLE LAITON	1	

Oliefyr/kedel / Oilburner/boiler / Ölbrenner/Kessel / Brulerur/chaudière



Oliefyr/kedel / Oilburner/boiler / Ölbrenner/Kessel / Brulerur/chaudière

Pos.	Ref. no.	Betegnelse Description	Bezeichnung Description	4100 C	4500 C
0	06120478	GUMMIHYLSTER	GUMMIHUELLE MANCHON EN CAOUTCHOUC	1	
0	06300793	TRANSFER FOR DOSERPUMPE TRANSFER FOR DOSING PUMP	KLEBSTREIFEN F. DOSIERPUMPE AUTO-COLLANT P. POMPE DEDDOSAGE	1	1
01	06261528	SVØMMERVERNTIL KPL. G4000 FLOAT VALVE CPL., G4000	SCHWIMMERVERNTIL KPL. VANNE A FLOTTEUR CPL. G30	1	1
01A	06100347	SVØMMER KPL. FLOAT VALVE CPL.	SCHWIMMERVERNTIL EINSCHL. MUTTER + DICHT. VANNE FLOTTEUR G-4000S ECS ECROU+JOINT	1	1
01B	06120475	SVAMP FOR SVØMMER SPONGE FOR FLOAT	SCHWAMM F. SCHWIMMER EPOGNE P. FLOTTEUR	1	1
01C	06120156	O-RING, 32X2 O-RING, 32X2	O-RING JOINT TORIQUE	2	2
01D	06200354	AFSTANDSRING FOR SVØMMER DISTANCE RING FOR FLOATER	DISTANZRING F. SCHWIMMER BAQUE ECARTEMENT POUR TTEUTTEUR	1	1
01E	06200355	PAKNING FOR SVØMMER GASKET FOR FLOAT VALVE	DICHTUNG F. SCHWIMMER JOINT POUR FLOTTEUR	1	1
02	06030681	VINKELSTUDS, 3/4" ANGLE SOCKET, 3/4"	WINKELSTUTZEN PLASTIK RACCORD EQUERRE PLASTIQUE	1	1
03	06110471	SPÆNDEBAND, 14-32 RETAINING RING, 14-32	SCHLAUCHSCHELLE HS12 FRETTE	1	1
04	06110467	TILGANGSSLANGE, 3/4" X 520 MM INLET HOSE, 3/4" X 520 MM	EINLASS-SCHLAUCH TUYAU ENTREE 4001	1	1
05	06061211	SKORSTENSØR	SCHORNSTEINROHR TUBE DE CHEMINÉE	1	1
06	06211589	THERMOFØLER - OVERKØG, 3/4000 THERMAL PROTECTOR - PRIMING, 3/4000	UEBERKØCHENKONTROLLE THERMOSTAT	1	1
07	06070801	UNBRACO SKRUE, M6X35 ALLEN SCREW, M6X35	IMBUSS TETE CYLINDRIQUE	2	2
08	06110520	SPÆNDEBESLAG, Ø110 FITTINGS, Ø110	BESCHLAG CERCLE D'ASSEMBLEUR GA	1	1
09	06110512	SPÆNDEBESLAG, Ø110 FITTINGS, Ø110	BESCHLAG CERCLE D'ASSEMBLEUR DR	1	1
10	06070809	SKRUE, 4X40 SCREW, 4X40	SCHRAUBE VIS	2	2
11	06261526	TÆNDTRANSFORMER, 230/400/415 IGNITION TRANSFORMER, 230/400/415	ZUENDTRANSFORMER TRANSFORMATEUR ALLUMAGE	1	1
11	06261527	TÆNDTRANSFORMER, 110/115V IGNITION TRANSFORMER, 110/115V	ZUENDTRANSFORMER TRANSFORMATEUR D'ALLUMAGE	1	
12	06080168	MØTRIK, M4 NUT, M4	SELBSTSCHLIESSENDE MUTTER ECROU INDESSENERABLE	2	2
13	06230314	BRÆNDERHUS BURNER HOUSING	BRENNERGEHAUSE CORPS DE COMBUSTIBLE	1	1
14	06200081	PLASTPROP PLASTIC PLUG	PLASTIKSTOPFEN PVC SCHWARZ CAPUCHON NOIR	1	1

Oliefyr/kedel / Oilburner/boiler / Ölbræner/Kessel / Brulerur/chaudière

Pos.	Ref. no.	Betegnelse Description	Bezeichnung Description	4100 C	4500 C
15	06120111	PAKDASE, C 5-7 STUFFING BOX, C 5-7	STOPFBUCHSE PRESSE-ETOUPE CAOUTCHOUC	2	2
16	06050969	OMLØBSRØR, Ø6X1X161 BY-PASS PIPE, Ø6X1X161	ROHR F. UMLAUF TUBE POUR BY-PASS G-4000	1	1
17	06110564	SPÆNDEBÅND RETAINING RING	SCHLAUCHSCHELLE ABA9 FRETTE	1	1
18	06110610	ARMERET PLASTSLANGE, Ø6X9X780 ARMORED PLASTIC HOSE, Ø6X9X780	SCHLAUCH F. UMLAUF TUYAU P. BY-PASS G-4000C	1	1
19	06200388	AFDJKNINGSPROP, Ø16 COVERING PLUG, Ø16	PFROPEN SCHWARZ Ø16 CAPUCHON ACOUTCROUCNOIR Ø16	1	1
20	06200334	BLÆSERRØR BLOWER PIPE	LOETROHR TUBE VENTILATION	1	1
21	06181129	MØTRIK, 36X8 NUT, 36X8	GEGENMUTTER ECROU G-3000	1	1
22	06120051	O-RING, 25.3X2.4 O-RING, 25.3X2.4	O-RING JOINT TORIQUE	1	1
23	06030736	VINKELSTUDS PLASTIK, 3/4X3/4 ANGLE SOCKET PLASTIC, 3/4X3/4	WINKELSTUTZEN RACCORD EQUERRE	1	1
24	06110459	ARMERET PLASTSLANGE, 700 MM ARMORED PLASTIC HOSE, 700 MM	ARMERTER PLASTIKSCHLAUCH SCHWARZ TUYAU EN PLASTIQUE ARME NNOIR	1	1
25	06080132	SKIVE, 6X30 WASHER, 6X30	SCHEIBE, GALV. RONDELLE	1	1
26	06080114	SKIVE, M6 WASHER, M6	STERNSCHEIBE RONDELLE A DENTS	1	1
27	06070447	UNBRACO SKRUE, M6X40 ALLEN SCREW, M6X40	IMBUSSCHRAUBE, GALV. VIS A TETE CYLINDRIQUE GALV.	1	1
28	06061223	SPÆNDEBESLAG, 30X662X1,5 FITTINGS, 30X662X1,5	KESSELSpanNBUEGEL ARMATURE	1	1
29	06080014	SPÆNDESKIVE, M4 TENSION DISC, M4	FEDERSCHEIBE, GALV. RONDELLE DE SERRAGE	2	2
30	06070511	TAP TITE P/H, M4X8 TAP TITE P/H, M4X8	SCHRAUBE VIS 4X8 HFC 266	4	4
31	06061285	BESLAG FOR AFKALKNINGSPUMPE FITTINGS FOR DECALCIFICATION PUMP	BESCHLAG F. ENTKALKUNG PUMPE ARMATURE P.DECALCIFICATION POMPE	1	1
32	06170131	DOSERINGSPUMPE, 24V/50 HZ DOSING PUMP, 24V/50 HZ	DOSIERPUMPE F. ENTKALKUNGSANLAGE POMPE DOSAGE ANTI TARTRE	1	1
33	06110354	PLASTSLANGE, Ø3X900 PLASTIC HOSE, Ø3X900	PLASTIKSCHLAUCH F. ENTKALKUNG BRIDE EN PLASTIQUE	1	1
34	06261644	BRÆNDSTOFSLANGE TILGANG, KPL. FUELHOSE INLET, CPL.	OELSCHLAUCH EINLASS TUYAU ENTREE FUEL	1	1
34B	06110494	SPÆNDEBÅND, 10-12 RETAINING RING, 10-12	SCHLAUCHSCHELLE 8- FRETTE	1	1
35	06120325	KOBBERPAKNING, 10/13.5 COPPER GASKET, 10/13.5	KUPFERDICHTUNG JOINT	1	1

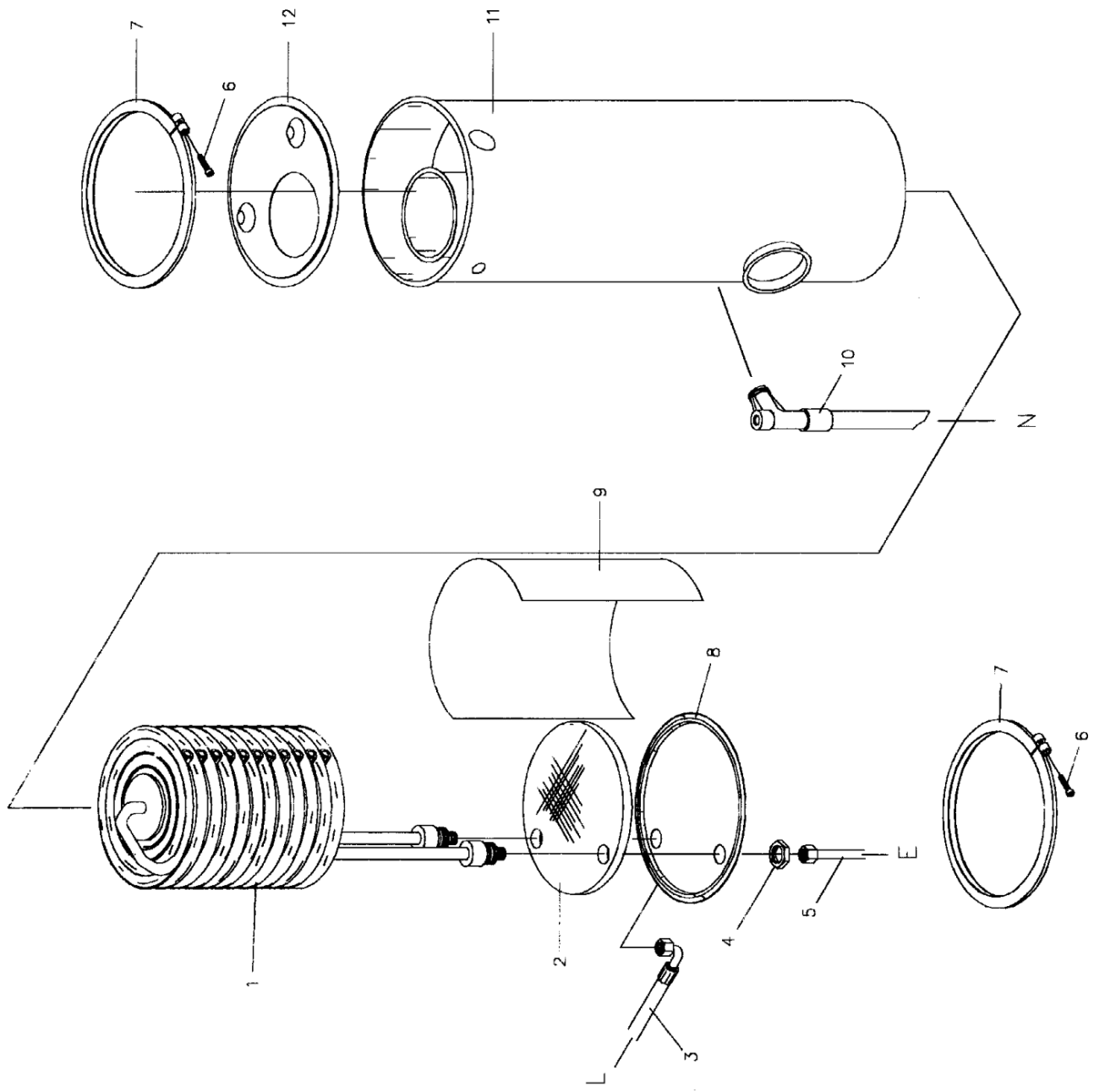
Oliefyr/kedel / Oilburner/boiler / Ölbrænnar/Kessel / Brulerur/chaudière

Pos.	Ref. no.	Betegnelse Description	Bezeichnung Description	4100 C	4500 C
36	06181108	DYSERØR, 15X15X95 NOZZLE PIPE, 15X15X95	DUESERØR TUBE INJECTEUR FUEL	1	1
37	06200357	GUMMIGENNEMFØRING RUBBER GROMMET	GUMMIDURCHFUEHRUNG JOINT	1	1
38	06181061	PROP, 1/8"RGX8 PLUG, 1/8"RGX8	PFROPFEN F. OELMESSTAB CAPUCHON	1	1
39	06120087	O-RING, 5.28X1.78 O-RING, 5.28X1.78	O-RING JOINT TORIQUE	1	1
40	06261645	BRÆNDSTOFSLANGE RETUR, KPL. FUEL HOSE RETURN, CPL.	OELSCHLAUCH ZURUECK TUYAU FUEL RETOUR CPLT	1	1
40B	06110564	SPÆNDEBÅND RETAINING RING	SCHLAUCHSCHELLE ABA9 FRETTE	1	1
41	06080056	MØTRIK, M4 NUT, M4	MUTTER, GALV. ECROU	1	1
42	06070810	SKRUE, 4,8X19 SCREW, 4,8X19	SCHRAUBE VIS POUR BUTEE G-4500	2	2
43	06200335	DÆKSEL FOR BRÆNDERHUS, 3000/4000 COVER FOR BURNER HOUSING, 3000/4000	DECKEL F. BRENNERGEHAEUSE COUVERCLE P.CORPS DEBUSTIBUSTIBLE	1	1
44	06200360	LÅSEPAL FOR DÆKSEL LOCKING PAWL	SCHLIESSSCHALTKLINKE F. DECKEL BUTEE DE CANNE DE BRULEURCILE	2	2
45	06070341	SKRUE, 4X16 SCREW, 4X16	SCHRAUBE P/K, GALV. VIS	1	1
46	06261552	DYSEFILTER, KPL. NOZZLE FILTER, CPL.	DUESEFILTER KPL. FILTRE GICLEUR CPL. G-300-4000	1	1
47	06230352	FOTOCELLE PHOTOCELL	PHOTOZELLE CELLULE PHOTOELECTRIQUE	1	1
48	06230330	SPÆNDERING RETAINING RING	SCHLAUCHSCHELLE F. PHOTOZELLE ANNEAU DE SERRAGE	1	1
49	06261655	MAGNETVENTIL, KPL., 230-415V SOLENOID VALVE, CPL., 230-415V	MAGNETVENTIL VANNE MAGNETIQUE G3000-45	1	1
49	06261657	MAGNETVENTIL, KPL., 110V SOLENOID VALVE, CPL., 110V	MAGNETVENTIL VANNE MAGNETIQUE, CPL., 110V	1	1
50	06120265	O-RING, 7X1.5 O-RING, 7X1.5	O-RING JOINT	1	1
51	06181107	DYSEHOLDER, 19X30 NOZZLE HOLDER, 19X30	DUESEHALTER SUPPORT GICLEUR	1	1
52	06230291	OLIEDYSE 1,10 GALL OIL NOZZLE, 1,10 GALL 3,6 KG 80GR-H	OELDYESE GICLEUR D'HUILE 1,10 G G1.	1	1
53	06070047	UNBRACO PINOLSKRUE, M6X6 ALLEN POINTED SCREW, M6X6	IMBUSSREITSTOCKSCHRAUBE VISQUE QUE	1	1
54	06230331	BLANDESKIVE MIXING DISC	LUFTMISCHSCHEIBE DISQUE D'EMULSION G-3000/	1	1
55	06080212	UNDERLAGSSKIVE, Ø20XØ5X0,5 WASHER, Ø20XØ5X0,5	BOLZENSCHIBE RONDELLE	1	1

Oliefyr/kedel / Oilburner/boiler / Ölbrenner/Kessel / Brulerur/chaudière

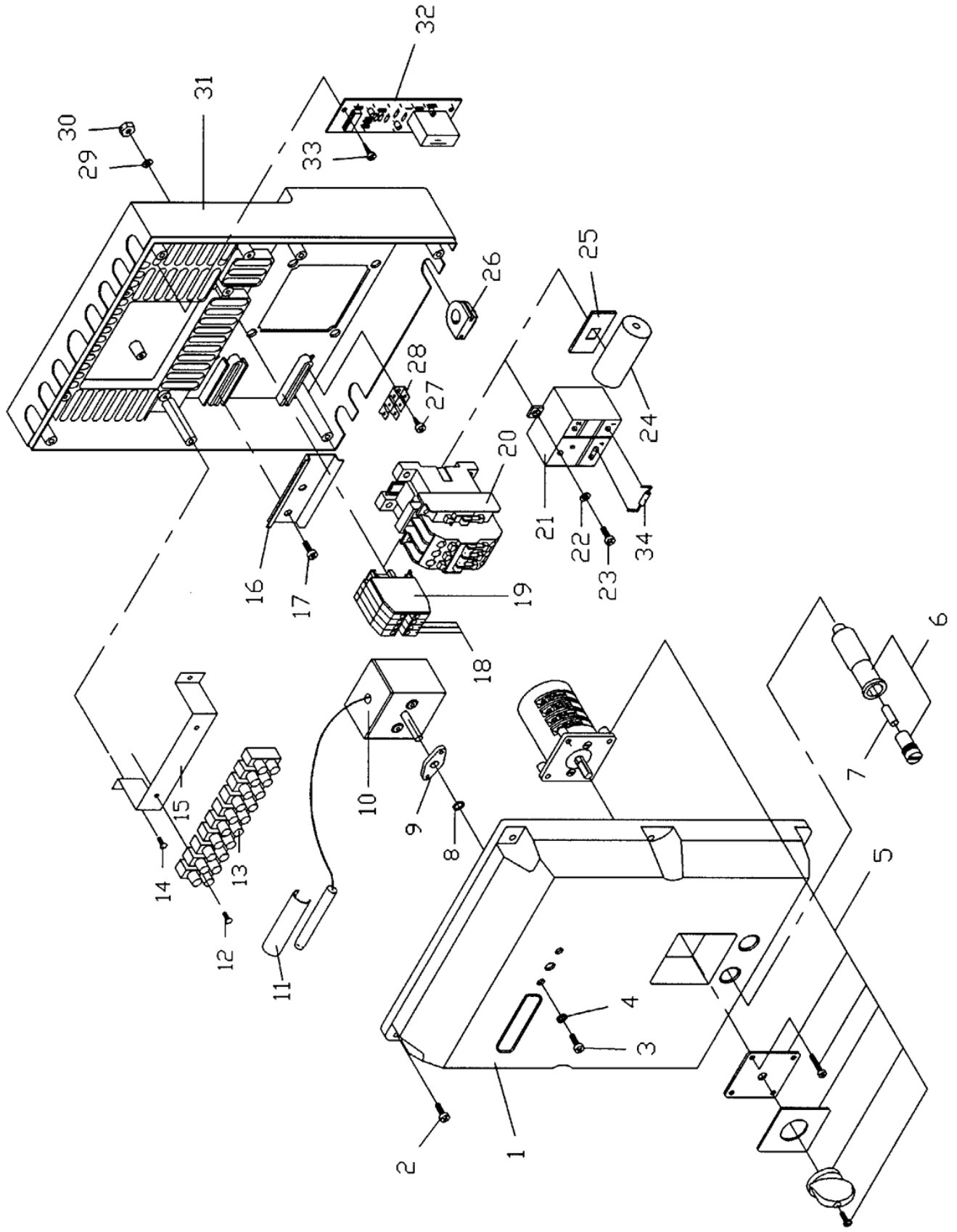
Pos.	Ref. no.	Betegnelse Description	Bezeichnung Description	4100 C	4500 C
56	06230336	TÆNDELEKTRODE IGNITION ELECTRODE	ZUENDELEKTRODE ELECTRODE D'ALLUMAGE	1	1
57	06080087	SPÆNDESKIVE, M8 TENSION DISC., M8	SCHEIBE, GALV. DISQUE	1	1
58	06080162	FJEDERSKIVE, M5 SPRING WASHER, M5	FEDERSCHEIBE DISQUE	1	1
59	06070491	SKRUE, 5X12 SCREW, 5X12	TAP TITE P/K VIS	1	1
60	06230243	TÆNDRØRSHÆTTE IGNITION PIPE	ZUENDROHRKAPPE M. WIEDERSTAND PROTECTION DU TUBE D'ALLUMATION A/RESIS.	2	2
61	06261705	KIT FOR OMLØBSRETNING KIT FOR DIRECTION OFOR ROTATION	KIT F. UMLAUFRICHTUNG KIT POUR SENS DE ROTATION	1	1

Kedel/spiral / Boiler/heating coil / Kessel/Spirale / Chaudière/serpentin



Kedel/spiral / Boiler/heating coil / Kessel/Spirale / Chaudière/serpentin

Pos.	Ref. no.	Betegnelse Description	Bezeichnung Description	4100 C	4500 C
01	06211559	SPIRAL, 7-L 41/4500 HEATING COIL, 7-L 41/4500	SPIRALE 7 SCHICHTEN SERPENTIN 11 COUCHES G-41	1	1
02	06120423	FIBERRONDEL, Ø252X16 INSULATION, Ø252X16	RUNDTEIL ISOLATION CHAUDIERE G-300	1	1
03	06110523	SLANGE HOSE	HOCHDRUCKSCHLAUCH TUYAU HP POMPE/CHAUDIERE	1	1
04	06181129	MØTRIK, 36X8 NUT, 36X8	GEGENMUTTER ECROU G-3000	2	2
05	06261530	AFGANGSRØR KOMPLET OUTLET PIPE CPL.	AUSLASSROHR KPL. TUYAU DE DEPART CPL.	1	1
06	06070801	UNBRACO SKRUE, M6X35 ALLEN SCREW, M6X35	IMBUSS TETE CYLINDRIQUE	2	2
07	06110511	SPÆNDEBESLAG, Ø 270 FITTINGS, Ø 270	BESCHLAG CERCLE D'ASSEMBL. CHAUDIER	2	2
08	06061212	BUND FOR KEDEL, Ø280X1,0 BOTTOM FOR BOILER, Ø280X1,0	BODEN F. KESSEL FOND DE CHAUDIERE G-4000	1	1
09	06061328	VARMEPLADE	HEIZUNGSPLATTE PLAQUE CHAUFF = 061329	1	1
10	06110516	AFGANGSSLANGE KPL. OUTLET HOSE, CPL.	AUSLASSSCHLAUCH KPL. TUYAU	1	1
11	06211403	KEDEL KPL., G-4000 BOILER CPL., G-4000	KESSEL KPL. CHAUDIERE CPL. G-4000	1	1
12	06211547	LÅG FOR KEDEL COVER FOR BOILER	DECKEL F. KESSEL COUVERCLE	1	1

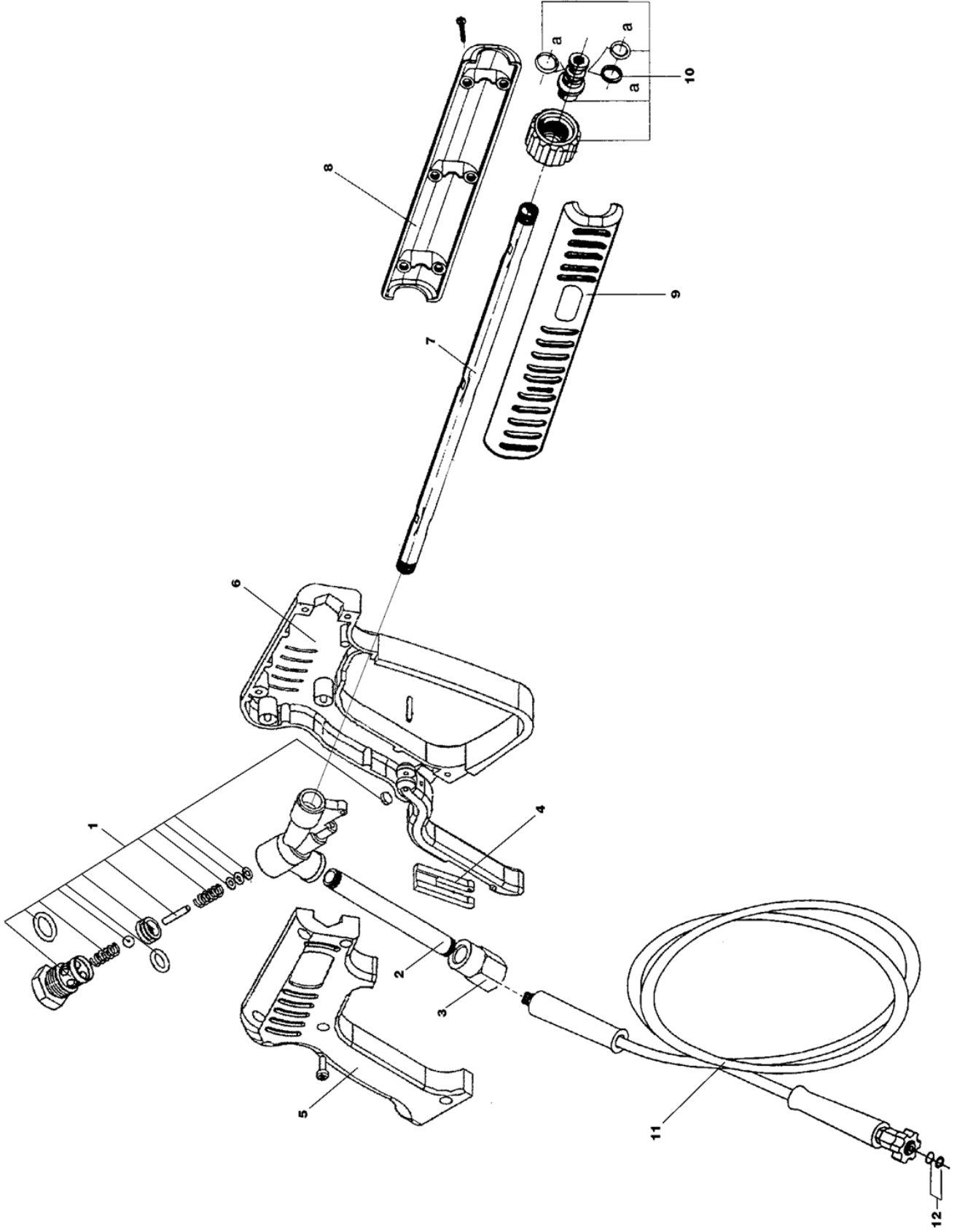


El-komponenter / Electric components / Elektrische komponente / Composantes électrique

Pos.	Ref. no.	Betegnelse Description	Bezeichnung Description	4100 C	4500 C
0	06301615	TRANSFER FOR THERMOSTAT TRANSFERS FOR THERMOSTAT	TRANSFERS FÜR THERMOSTAT AUTOCOLLANT TEMPERATURE	1	1
01	06200322	ELKASLÅG PLAST COVER FOR ELECTRIC BOX	DECKEL F. ELEKTROKASTEN - PLASTIK COUVERC=262470AU-262471CL	1	1
02	06070828	SKÆRESKRUE, SORTZINK, 4X12 SCREW, BLACK ZINC, 4X12	PLASTIKTITE VIS 4X12MM = 070505	6	6
03	06070355	SELVSKÆRENDE SKRUE, 3,5X9,5 SELF-TAPPING SCREW, 3,5X9,5	SELBSTSCHR. SCHRAUBE VIS CONIQUE	1	1
04	06080110	UNDERLAGSSKIVE, GALV., 1/8" WASHER, GALV., 1/8"	UNTERLAGSSCHEIBE, GALV. RONDELLE GALVANISEE	1	1
05	06160883	OMSKIFTER, 220V380V SWITCH, 220V380V	UMSCHALTER SALZER INVERSEUR SALZER	1	1
06	06160840	SIKRINGSHOLDER HOLDER FOR FUSE	SICHERUNGHALTER M. VORSATZGERAET/KAPPE PORTE-FUSIBLE A/ADAPTEUR+COLLIER	1	1
07	06160896	FINSIKRING , 0,25 AMP. 5X20 FUSE , 0,25 AMP. 5X20	SICHERUNG 0.25 AMP. 5X20 MM FUSIBLE MINIATURE	1	1
08	06120087	O-RING, 5,28X1,78 O-RING, 5,28X1,78	O-RING JOINT TORIQUE	1	1
09	06200072	AFSTANDSSTYKKE DISTANCE PIECE	ZWISCHENSTUECK F. THERMOSTAT PIECE INTERM. P. THERMOSTAT	1	1
10	06170211	THERMOSTAT, 30-75°C THERMOSTAT, 30-75°C	THERMOSTAT THERMOSTAT POUR G-4500 CL	1	1
11	06060843	CLIPS FOR THERMOSTATFØLER; 50X40X0,7 CLIP FOR THERMAL PROTECTOR, 50X40X0,7	KLEMMER F. TEMPERATURWAECHTER CLIP P. THERMOSTAT	1	1
12	06070356	SKRUE, M3X16 SCREW, M3X16	SCHRAUBE P/K, GALV. VIS GALVANISEE	2	2
13	06160838	KRONEMUFFE, 4,2X12 CROWN SOCKET, 4,2X12	KRONENMUFFE MANCHON A CRENEAUX 1631UFSP-12.Ø4.5 MM	1	1
14	06070803	SKRUE, 3,5X8 SCREW, 3,5X8	SCHRAUBE VIS	2	2
15	06061331	BØJLE FOR KLEMRÆKKE, 195X23X1 CLAMP FOR TERMINAL STRIP, 195X23X1	ANNEAU P. BARETTE DE JONCTION, 195X23X1	1	1
16	06160905	SKINNE, 7,5X80 MM PLATE, 7,5X80 MM	GELEISE DIN CERCLE	1	1
17	06070511	TAP TITE P/H, M4X8 TAP TITE P/H, M4X8	SCHRAUBE VIS 4X8 HFC 266	2	2
18	06160906	KLEMRÆKKE TERMINAL STRIP	KLEMMREICHE GRAU PLAQUE A BORNES	3	3
19	06160907	JORDKLEMMME EARTH TERMINAL	KELMREIHE GELB/GRUEN PLAQUE A BORNES	1	1
20	06160076	KONTAKTOR, CI 9 3X400-415V CONTACTOR , CI 9 3X400-415V	SCHUETZ CONTACTEUR DANFOSS	1	1
20	06160174	KONTAKTOR, 1X230-240V 50-60 HZ CONTACTOR , 1X230-240V 50-60 HZ	SCHUETZ DANFOSS CONTACTEUR CI 15 1 X 220V	1	1

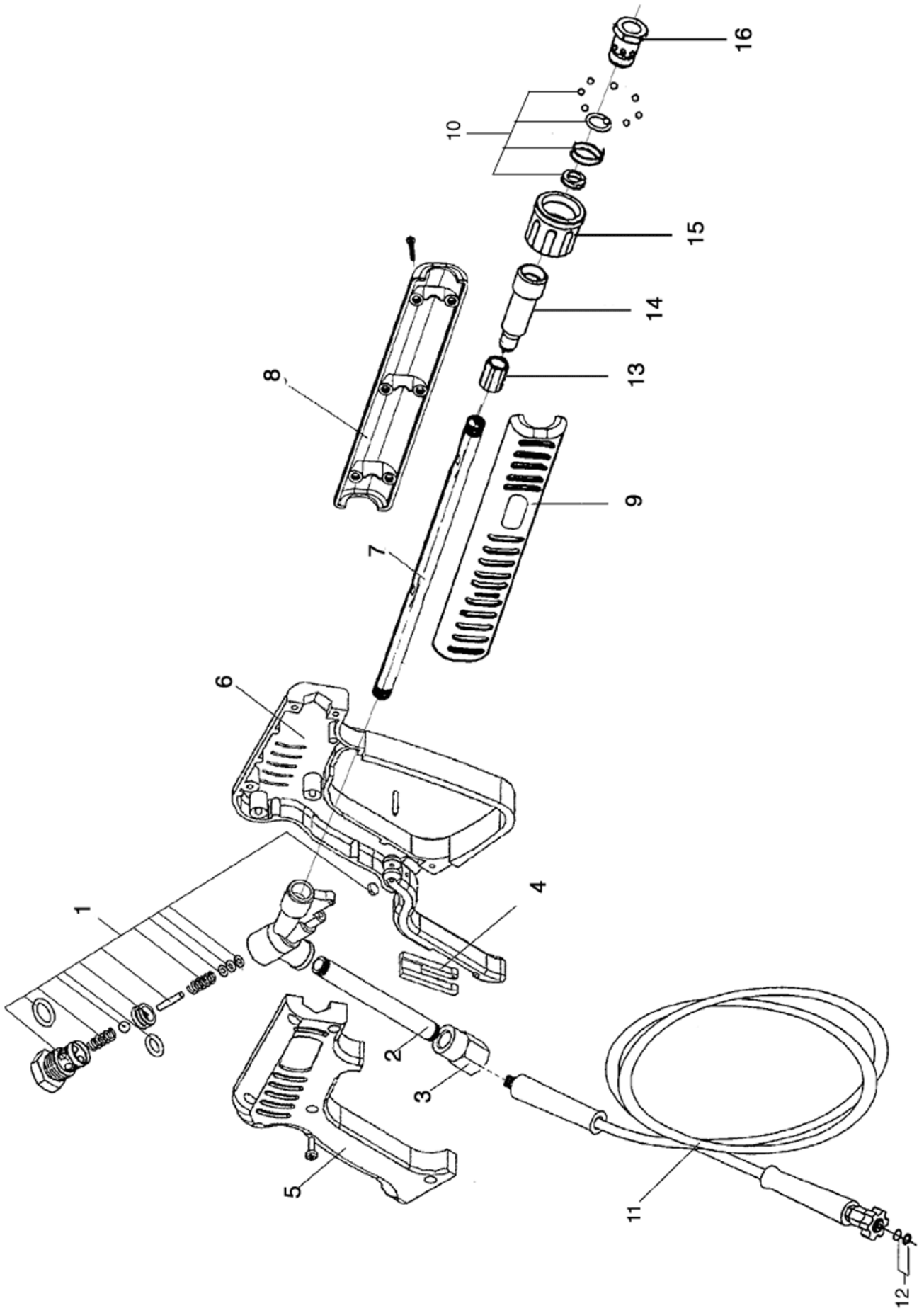
El-komponenter / Electric components / Elektrische komponente / Composantes électrique

Pos.	Ref. no.	Betegnelse Description	Bezeichnung Description	4100 C	4500 C
20	06160508	KONTAKTOR 12A 24V/50-60HZ CONTACTOR , 12A 24V/50-60HZ 230V	SCHUETZ CONTACTEUR CI12 220V/50-6	1	1
20	06160721	KONTAKTOR, 25A 1X110V CONTACTOR , 25A 1X110V	SCHUETZ CONTACTEUR	1	1
21	06270296	STARTRELÆ, 1X230V STARTING RELAY, 1X230V	ANLASSRELAIS RELAIS DE DEMARRAGE, 1X230V	1	1
21	06270322	STARTRELÆ, 110V STARTING RELAY, 110V	RELAIS DE DEMARRAGE	1	1
22	06080183	SKIVE, M3 WASHER, M3	SCHEIBE DISQUE INOX	1	1
23	06070518	SKRUE, M3X16 SCREW, M3X16	SCHRAUBEN ROSTFREI VIS INOX	1	1
24	06160936	DRIFTSKONDENSATOR WORKING CAPACITOR	KONDENSATOR CONDENSATEUR DE MARCHE	1	1
25	06160454	KLÆBEPLADE GLUE PLATE	KLEBEPLATTE PANDUIT ABMS-A PLAQUE COLLANTE PANDUIT ABMS-A	1	1
26	06120320	KABELGJENNEMFØRING, Ø25X11 CABLE GROMMET, Ø25X11	KABELDURCHFUEHRUNG F. ELEKTRO-SCHALTK. TRAVERSEE DE CABLETE ELECTE ELECTRIQUE	10	10
27	06070803	SKRUE, 3,5X8 SCREW, 3,5X8	SCHRAUBE VIS	10	10
28	06160822	FLADSTIKFORDELER, 6,3 MM G6000 FLAT PLUG DISTRIBUTOR, 6,3 MM G6000	FLACHSTICHERVERTEILER DISTRIBUTEUR DE PRISE DE COURANT	1	1
29	06080158	STJERNESKIVE, M3 TOOTH LOCK WASHER, M3	STERNSCHEIBE TYP I M3 RONDELLE A DENTS TYPE I M3	1	1
30	06080055	MØTRIK, M3 NUT, M3	MUTTER GALV. ECROU GALVANISE	1	1
31	06200321	ELKASSEBUND BOTTOM FOR ELECTRIC BOX	BODEN F. ELEKTROKASTEN - PLASTIK FOND DE COFFRET ELECTR.(R- PLASTIQUE	1	1
32	06170212	PRINT FLAMMEKONTROL, 400V 50HZ 4500C PRINT FLAME CONTROL, 400V 50HZ 4500C	PRINT F. FLAMMENKONTROLLE CONTROLLE DE LA FLAMME	1	1
32	06170213	FLAMMEKONTROL, 230V 50HZ FLAME CONTROL, 230V 50HZ	FLAMMEKONTROLLE G3000/4100/4500C CONTROLE DE LA FLAMME	1	1
32	06170216	PRINT FLAMMEKONTROL, 440V 4500C PRINT FLAME CONTROL, 440V 4500C	FLAMMENKONTROLLE CONTROLE DE LA FLAMME 4500C 44050	1	1
33	06070803	SKRUE, 3,5X8 SCREW, 3,5X8	SCHRAUBE VIS	2	2
34	06211553	MODSTAND RESISTANCE	RÉSISTANCE	1	1



Pistol 98 / Pistol 98 / Pistole 98 / Pistolet 98

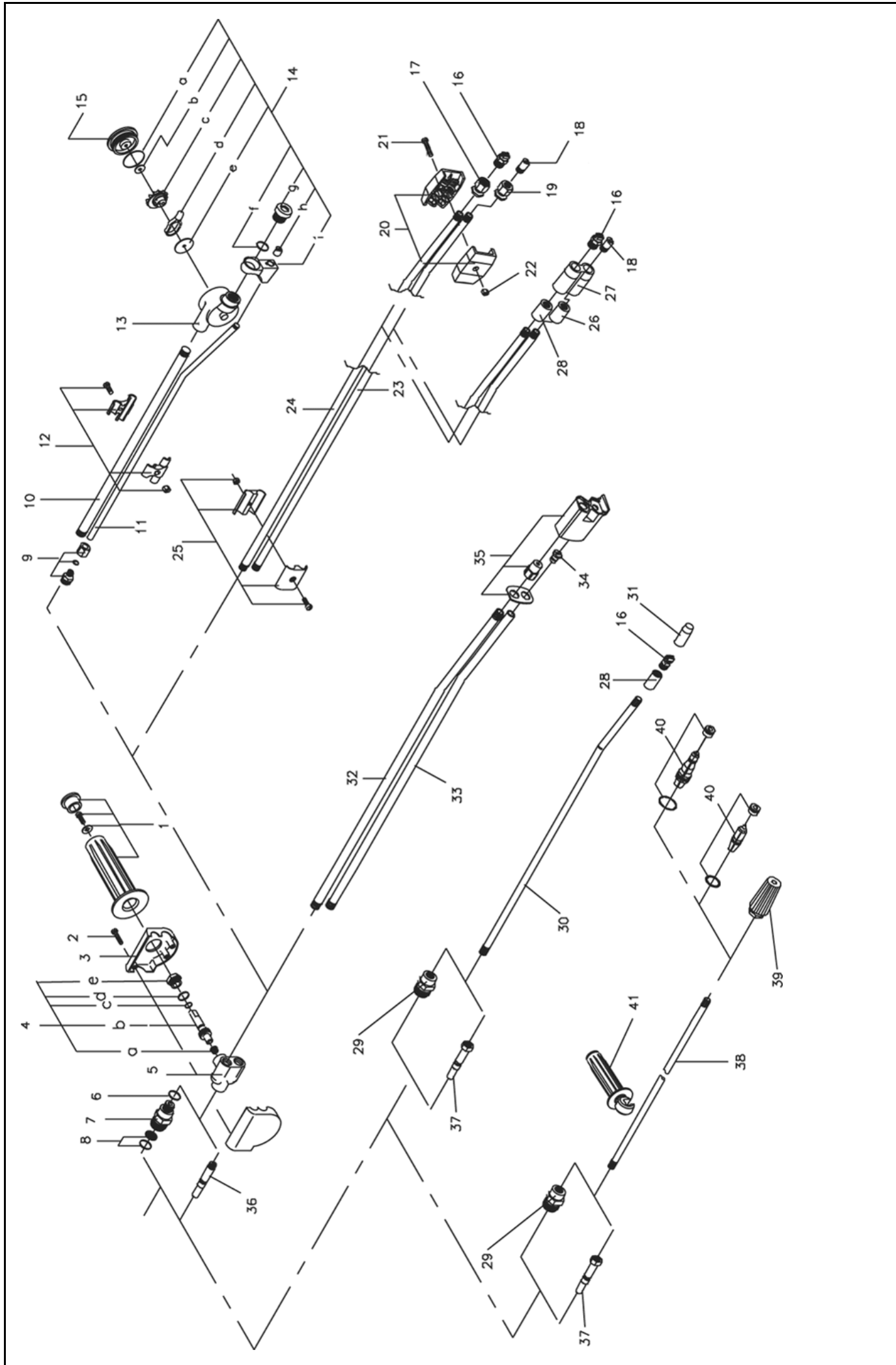
Pos.	Ref. no.	Beegnelse Description	Bezeichnung Description	4100 C	4500 C
0	06290028	PISTOL ASTRA 320 3/8 PISTOL, 98	PISTOLE ASTRA 320 PISTOLET MRM320=290113	1	1
01	06261543	SERVICEKIT F. PISTOL MTM SERVICE KIT FOR PISTOL , MTM	KIT F. PISTOLE MTM KIT DE SERVICE P.PISTOLET	1	1
02	06050981	TILGANGSRØR INLET PIPE	EINLASSROHR F. PISTOL TUBE D'ENTREE PISTOLET	1	1
04	06200384	SIKKERHEDSPAL SAFETY LOCK	SPERRVORRICHTUNG ARRET DE SURETE MTM	1	1
05	06200420	PISTOLKROP PISTOL HOUSING	PISTOLKÖRPER RECHTS CORPS DE PISTOLET	1	1
06	06200421	PISTOLKROP PISTOL HOUSING	PISTOLKÖRPER LINKS CORPS DE PISTOLET	1	1
07	06050980	FØRRØR FOR PISTOL FRONT PIPE FOR PISTOL	VORDERROHR F. PISTOLE TUBE	1	1
08	06200423	KAPPE VENSTRE CAP LEFT	KAPPE FÜR FOHRROHR LINKS CARTER DE PISTOLET GAUCHE	1	1
09	06200422	KAPPE - HØJRE CAP, RIGHT	KAPPE FÜR VORROHR RECHTS CARTER DE PISTOLET DROIT	1	1
10	06261588	SKRUEKOBLING FOR PISTOL SCREW COUPLING FOR PISTOL	SCHRAUBENKUPPLUNG F. PISTOLE RACCORD D'ACCOUPLMENT P.OLETS	1	1
10A	06261547	PAKNINGSKIT F. SKRUEKOBL. GASKET KIT FOR SCREW COUPLING	SCHRAUBKUPPLUNG KIT P. JOINTS TORIQUES RACC.A.VIS	1	1
11	06110476	HØJTRYKSSLANGE, DN8X8M HIGH PRESSURE HOSE, DN8X8M	HOCHDRUCKSCHLAUCH M. SCHRAUBENKUPPLUNGEN TUYAU H.P. A/RAC.A VIS/R.ER A/RAC. A VIS	1	1
12	06260936	PAKNINGSKIT F. SKRUEKOB. GASKET KIT FOR SCREW COUPLING	DICHTUNGSKIT F. SCHRAUBENKUPPLUNG KIT JOINT RACCORD VIS VIS	1	1



Pistol / Pistol / Pistole / Pistolet

Pos.	Ref. no.	Betegnelse Description	Bezeichnung Description	4100 C	4500 C
0	06290080	PISTOL LANG M. QUICK PISTOL WITH QUICK COUPLING	PISTOLET 3/8 EME	1	1
01	06261543	SERVICEKIT F. PISTOL MTM SERVICE KIT FOR PISTOL , MTM	KIT F. PISTOLE MTM KIT DE SERVICE P.PISTOLET	1	1
02	06050981	TILGANGSRØR INLET PIPE	EINLASSROHR F. PISTOL TUBE D'ENTREE PISTOLET	1	1
04	06200384	SIKKERHEDSPAL SAFETY LOCK	SPERRVORRICHTUNG ARRET DE SURETE MTM	1	1
05	06200420	PISTOLKROP PISTOL HOUSING	PISTOLKÖRPER RECHTS CORPS DE PISTOLET	1	1
06	06200421	PISTOLKROP PISTOL HOUSING	PISTOLKÖRPER LINKS CORPS DE PISTOLET	1	1
07	06051045	FORRØR FOR PISTOL FRONT PIPE FOR PISTOL	TUBE AVANT PISTOLET290080	1	1
08	06200525	KAPPE CAP	CACHE TUBE PISTOLET290080	1	1
09	06200524	KAPPE CAP	CACHE TUBE PISTOLET290080	1	1
10	06262246	KIT FOR LYNKOBLING KIT FOR QUICK COUPLING	KIT JOINTS RACCORD RAPIDE	1	1
11	06110476	HØJTRYKSSLANGE, DN8X8M HIGH PRESSURE HOSE, DN8X8M	HOCHDRUCKSCHLAUCH M. SCHRAUBENKUPPLUNGEN TUYAU H.P. A/RAC.A VIS/ER A/RAC. A VIS	1	1
12	06260936	PAKNINGSKIT F. SKRUEKOB. GASKET KIT FOR SCREW COUPLING	DICHTUNGSKIT F. SCHRAUBENKUPPLUNG KIT JOINT RACCORD VIS VIS	1	1
13	06262287	MUFFE, 1/4"-1/4" SOCKET, 1/4"-1/4"	MANCHON P/PISTOLET 290080	1	1
14	06262286	KOBLING COUPLING	RACCORD VIS P/PISTOLET	1	1
15	06262284	OMLØBER COUPLING NUT	ECROU D/RACCORD P/PISTOLE	1	1
16	06262285	KOBLING COUPLING	RACCORD P/PISTOLET 290080	1	1

Spulerør / Lances / Lanzen / Lance



Spulerør / Lances / Lanzen / Lance

Pos.	Ref. no.	Betegnelse Description	Bezeichnung Description	4100 C	4500 C
01	06260232	HANDTAGSKIT F. SPULERØR HANDLE KIT	HANDGRIFFKIT F. DOPPELLANZE KIT SERVICE AVEC POIGNEENNE DOUBLE	1	1
02	06070479	SKRUE, 4X20 SCREW, 4X20	SCHNEIDSCHRAUBE, SCHWARZZINK VIS	3	3
03	06200097	PYNTEDÆKSEL F. VENTILHUS COVER F. VALVE HOUSING	STaubKAPPE F. VENTILGEHAE COUVERCLEOR. D. VAN OR. D. VAN	1	1
04	06260860	VENTILSPINDEL KIT VALVE SPINDLE KIT	VENTILSPINDELKIT F. DRUCKREGELUNG KIT REGLAGE PRESSION DOUBLE. PRES.	1	1
04C	06120006	O-RING, 6,75X1,78 O-RING, 6,75X1,78	O-RING JOINT TORIQUE MAT 4470	1	1
04D	06120010	O-RING, 13,1X1,6 O-RING, 13,1X1,6	O-RING JOINT TORIQUE MAT 4470	1	1
04E	06190245	MØTRIK NUT	MUTTER F. VENTIL ECROU POUR VANNE DOUB.LAN	1	1
05	06211078	VENTILHUS VALVE HOUSING	VENTILGEHAEUSE, KPL. CULASSE LANCE DOUBLE ET	1	1
06	06120188	O-RING, 10X2 O-RING, 10X2	O-RING JOINT TORIQUE	1	1
07	06030484	SKRUEKOBLING 1/4 UDV. SCREW COUPLING ROTATABLE, 1/4"	SCHR.KUPPLUNG DREHBAR F.DOPPELLANZE ACCOUPL. VIS TOURNANT DBL LANCE DOUBLE	1	1
08	06100332	FILTER FOR TURBO LASER FILTER FOR TURBO LASER	FILTER F. TURBO LASER M. O-RING FILTRE TURBO LASER	1	1
08A	06120139	O-RING, 10X1 O-RING, 10X1	O-RING JOINT SPY JET	1	1
09	06030527	BRYSTNIPPEL, 8X1/4" BREAST NIPPLE, 8X1/4"	GEWINDESTUECK RACCORD	1	1
0A	06261373	TURBO-LASER 600 MM TURBO LASER W. PRES. REG. - SCREW - 600 MM, 4.0	TURBO LASER 600 MM TURBO LASER 600MM		1
0A	06261461	TURBO LASER M/ TRYKREG. - SKRUE - 600 MM, 4.5+ TURBO LASER W. PRES. REG. - SCREW - 600 MM, 4.5+	TURBO LASER 600 MM TURBO LASER 600MM G-310/4	1	
0A	06262075	TURBO LASER M/ TRYKREG. - LYN - 600 MM, 4.0 TURBO LASER W. PRES. REG. - SCREW - 600 MM, 4.0	TURBO-LASER 600MM RAPIDE		1
0A	06262077	TURBO-LASER 600MM QUICK TURBO LASER W. PRES. REG. - QUICK - 600 MM, 4.5+	TURBO-LASER 600MM RAPIDE	1	
0B	06260758	DOBBLT SPULERØR 600MM EXCL.TRYKDYSE DOUBLE LANCE - PRES. REG.- SCREW -600 MM,	DOPPELLANZE DOUBLE LANCE 600MM	1	1
0B	06262063	DOBBL SPULERØR 600MM QUICK DOUBLE LANCE - PRES. REG.- QUICK -600 MM,	LANCE DOUBLE RAPIDE, 600M	1	1
0C	06260382	ENKELT SPULERØR 600 MM SINGLE LANCE - SCREW - 600 MM, EXCL.NOZ	EINZELLANZE LANCE SIMPLE 600 MM	1	1
0C	06262059	ENK.SPULERØR 600MM QUICK SINGLE LANCE - QUICK - 600 MM, EXCL.NOZ	LANCE SIMPLE RAPIDE, 600M	1	1
0D	06261957	SPECTRUM 600MM U/TRYKDYSE SPECTRUM W. PRES. REG. - SCREW - 600 MM,	SPECTRUM OHNE DÜSE - 600 MM SPECTRUM SANS GICLEUR - 600 MM	1	1

Spulerør / Lances / Lanzen / Lance

Pos.	Ref. no.	Betegnelse Description	Bezeichnung Description	4100 C	4500 C
0D	06261988	SPECTRUM M/ TRYKREG. - SKRUE - 600 MM, 140+ SPECTRUM W. PRES. REG. - SCREW - 650 MM, 140+	SPECTRUM DÛSE LANCE SPECTRUM POUR	1	
0D	06261989	SPECTRUM M/ TRYKREG. - SKRUE - 600 MM, 145 SPECTRUM W. PRES. REG. - SCREW - 650 MM, 145	SPECTRUM DÛSE LANCE SPECTRUM	1	
0D	06262091	SPECTRUM M/ TRYKREG. - LYN - 600 MM, 140 SPECTRUM W. PRES. REG. - QUICK - 600 MM, 140	SPECTRUM - REG. DE PRES - RAC. RAP - 600 MM-140	1	
0D	06262092	SPECTRUM M/ TRYKREG. - LYN - 600 MM, 145 SPECTRUM W. PRES. REG. - QUICK - 600 MM, 145	LANCE SPECTRUM 600/44.5MM	1	
0D	06262253	SPECTRUM 600 U.DYSE QUICK SPECTRUM W. PRES. REG. - QUICK - 600 MM,	LANCE SPECTRUM R. R-S/GICL	1	1
0E	06262111	ROTO JET LANCE 040 600MM ROTO JET - SCREW - 600 MM, 4.0	LANCE ROTO JET 040	1	
0E	06262112	ROTO JET LANCE 045 600MM ROTO JET - SCREW - 600 MM, 4.5	LANCE ROTO JET 045	1	
0E	06262122	ROTO JET M/ LYN - 600 MM, 4.0 ROTO JET - QUICK - 600 MM, 4.0	LANCE ROTO JET RAPIDE 040	1	
0E	06262123	ROTO JET M/ LYN - 600 MM, 4.5 ROTO JET - QUICK - 600 MM, 4.5	LANCE ROTO JET RAPIDE 045	1	
10	06050841	SPULERØR LIGE, Ø13X1,5X586 LANCE STRAIGHT, Ø13X1,5X586	LANZE GERADE TURBO LASER LANCE DROITE TURBO LASER	1	1
11	06050842	KEMIRØR 15 GR. BUK , Ø8X1X622 DETERGENT PIPE 15 DEG., Ø8X1X622	RELMITTLEROHR 15 GR. VERB. F. T. L. TUYAU POUR LANCESER, 15 DSER, 15 DEGRES	1	1
12	06261130	BESLAG FOR TURBO LASER FITTINGS FOR TURBO LASER	BESCHLAG F. TURBO LASER ROHR ARMATURE POUR TURBO LASER TUYAU	1	1
13	06261289	TURBO LASER HUS , Ø2,7 MAX 720 L TURBO LASER HOUSING, Ø2,7 MAX 720 L	GEHAUSE F. TURBO-LASER CORPS DE TURBO LASER CPL. CPL.	1	1
14	06261371	TURBO LASER KIT, 4.0 TURBO LASER KIT, 4.0	SERVICE KIT F. TURBO LASER KIT SERV.T.L. G-350/3000/ LASER	1	1
14	06261459	TURBO LASER KIT, 4.5+ TURBO LASER KIT, 4.5+	SERVICEKIT F. TURBO LASER KIT POUR TURBO LASER LASE LASER	1	
14A	06120544	O-RING, 36.0X1,78 O-RING, 36.0X1,78	JOINT TORIQUE	1	1
14F	06120282	O-RING, 14X1,78 O-RING, 14X1,78	O-RING JOINT TORIQUE 14 X 1,78	1	1
14H	06180533	DYSE, Ø10X12 NOZZLE, Ø10X12	DUESE GICLEUR DIA. 10X12	1	1
15	06180936	LÅG FOR TURBO LASER COVER FOR TURBO LASER	DECKEL F. TURBO LASER, BEARBEITET COUVER.P.TURBO LASER FACOR, FACONNE	1	1
16	06090202	DYSE HÆRDET 1/4-1504,5 FLAT JET NOZZLE 15°, 4.5	FLACHSTRAHLDUESE 15° GICLEUR DURCI 1/4MEG15045	1	
16	06090233	DYSE HÆRDET 1/4-1504 FLAT JET NOZZLE 15°, 4	DUESE ABGEHAERTET GICLEUR DURCI 1/4MEG 1504	1	
17	06180780	DYSEHOLDER, 17X20 NOZZLE HOLDER, 17X20	DUESENHALTER F/HOCHDRUCKDUESE SUPPORT DE GICLEUR H.P.EUEUR H.P.	1	1

Spulerør / Lances / Lanzen / Lance

Pos.	Ref. no.	Betegnelse Description	Bezeichnung Description	4100 C	4500 C
18	06180779	KEMIDYSE, Ø10X22 DETERGENT NOZZLE, Ø10X22	REINIGUNGSMITTELDUESE GICLEUR DETERGENT	1	1
19	06180781	DYSEHOLDER FOR KEMI, 17X20 NOZZLE HOLDER FOR DETERGENTS, 17X20	DUESENHALTER F/REINIGUNGSMITTEL SUPPORT DE GICLEUR DETERGRGENT	1	1
20	06200226	DYSEBESKYTTER NOZZLE PROTECTION, PLASTIC	DUESENSCHUTZ KUNSTSTOFF PROTECTION GICLEUR PLASTI PLASTIQUE	2	2
21	06070497	SKRUE, 5X22 SCREW, 5X22	SCHRAUBE, ROSTFREI, Z/K VIS C/H INOX	1	1
22	06080123	MØTRIK, M5 NUT, M5	MUTTER, ROSTFREI RONDELLE	1	1
23	06050941	KEMI-RØR, RUSTFRI, Ø13X1,5X591 DETERGENT PIPE, STAINLESS, Ø13X1,5X591	DOPPELLANZE TUBE DE LANCE BP	1	1
24	06050940	SPULERØR, RUSTFRI, Ø13X1,5X596 LANCE, STAINLESS, Ø13X1,5X596	DOPPELLANZE TUBE DE LANCE HP	1	1
25	06260537	BESLAG F. DOBB. SPULERØR FITTINGS FOR DOUBLE LANCE	BESCHLAG F/DOPPELLANZE TURBO ENTRETOISE LANCE TURBOE TE TURBO	1	1
26	06181232	DYSEHOLDER FOR KEMI, Ø18X26 NOZZLE HOLDER FOR DETERGENTS, Ø18X26	DUESENHALTER F. REINIGUNGSMITTELDUESE SUPPORT GICLEUR POUR DETER DE DETERGENT	1	1
27	06200374	DYSEBESKYTTER DOBBELT NOZZLE PROTECTION, PLASTIC, DOBBLE	DUESCHUTZ - DOBBELT PROTECT.PLAST.GICLEUR LAN	1	1
28	06030643	MUFFE FOR SPULERØR, Ø10 SOCKET FOR LANCE, Ø10	MUFFE F. LANZE MANCHON POUR LANCE INOX	1	1
28	06181233	DYSEHOLDER , Ø18X26 NOZZLE HOLDER , Ø18X26	DUESENHALTER F. HOCHDRUCKSDUESE SUPPORT GICLEUR HAUTE PRE	1	1
29	06030485	SKRUEKOBLING, 1/4" INDV. SCREW COUPLING, 1/4"	SCHRAUBENKUPPLUNG, NICHT DREHBAR ACCOUPL. VIS 1/4 INT.NT NT	1	1
30	06050116	SPULERØR, RUSTFRI, Ø13X586 LANCE, STAINLESS, Ø13X586	LANZE, ROSTFREI LANCE INOX DIAM. 13X596	1	1
31	06200375	DYSEBESKYTTER ENKELT NOZZLE PROTECTION, PLASTIC, SINGLE	DUESENSCHUTZ PROTECT.PLAST.GICLEUR LAN	1	1
35	06261966	SPECTRUM KIT, 140 SPECTRUM KIT, 140	SPECTRUM KIT KIT DE REPARATION	1	1
35	06261967	SPECTRUM KIT, 145 SPECTRUM KIT, 145	SPECTRUM KIT KIT SPECTRUM 401/	1	1
36	06030649	LYNKOBLING 1/4 UDV. QUICK COUPLING, 1/4"	SCHNELLKUPPLUNG RACCORD RAPIDE	1	1
37	06030827	NIPPEL QUICK-1/4" INDV. NIPPLE, 1/4"	RACCORD RAPIDE 1/4" INTER	1	1
38	06050841	SPULERØR LIGE, Ø13X1,5X586 LANCE STRAIGHT, Ø13X1,5X586	LANZE GERADE TURBO LASER LANCE DROITE TURBO LASER	1	1
39	06262133	ROTO JET DYSE KPL., 4.0 ROTO JET NOZZLE CPL., 4.0	GICLEUR ROTO CPL. 4.0		1
39	06262134	ROTO JET DYSE KPL., 4.5 ROTO JET NOZZLE CPL., 4.5	GICLEUR ROTO CPL. 4.5	1	

Spulerør / Lances / Lanzen / Lance

Pos.	Ref. no.	Betegnelse Description	Bezeichnung Description	4100 C	4500 C
40	06262222	ROTO DYSE KIT, 4.0 ROTO JET NOZZLE KIT, 4.0	KIT POUR GICLEUR ROTO 040		1
40	06262223	ROTO DYSE KIT, 4.5 ROTO JET NOZZLE KIT, 4.5	KIT POUR GICLEUR ROTO 045	1	
41	06260365	HANDGREB TIL ROT. BØRSTER OG ENKELT LANSERØR, HANDLE FOR ROTATING BRUSHES AND SINGLE	HANDGRIFF POIGNEE DE MAINTIEN LANCE	1	1