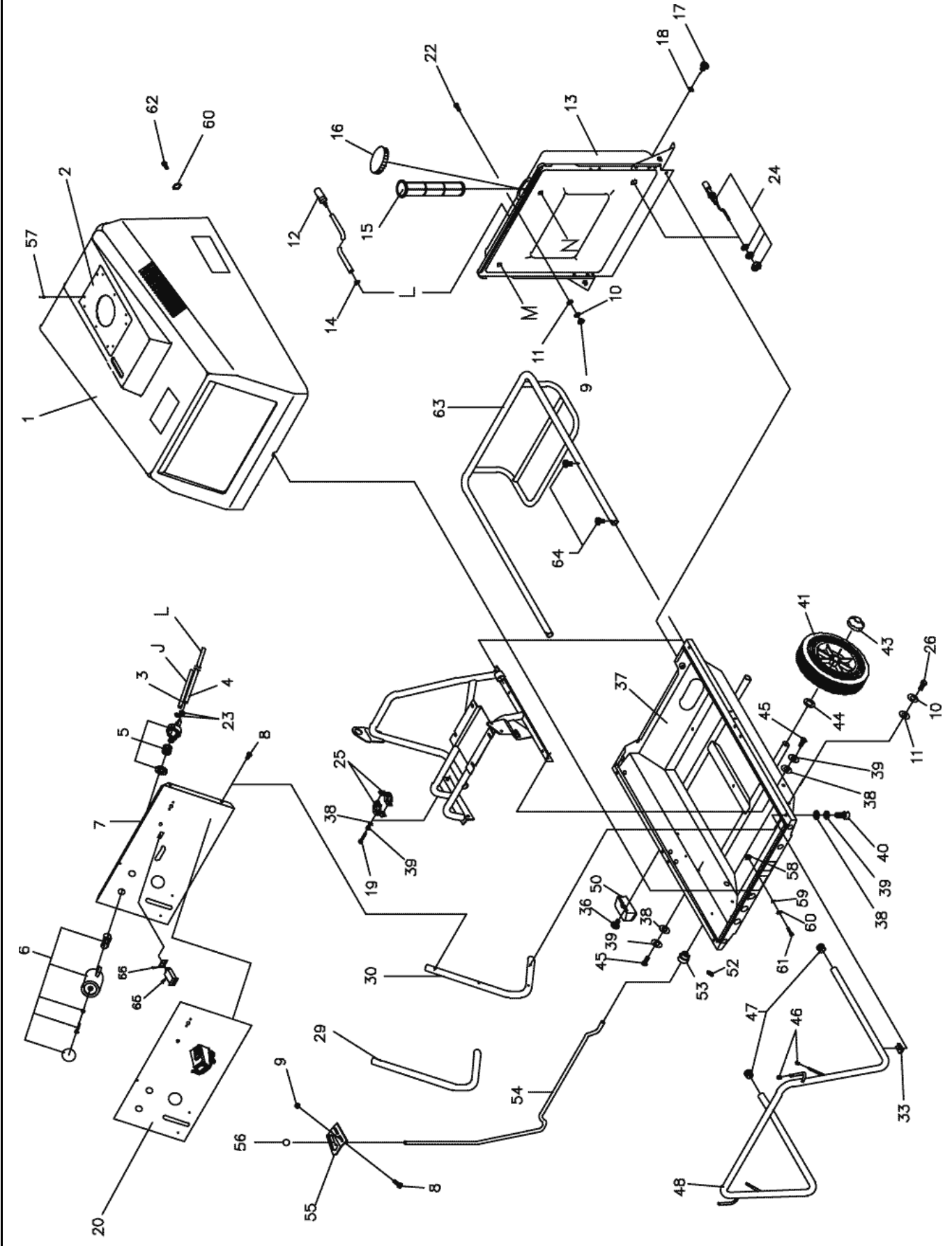

N/G- 6902A

Reservedelsliste
Spare parts list
Ersatzteilliste
Liste de pièces détachées

| | |
|--|----|
| Karosse / Body / Karosserie / Carrosserie | 2 |
| Supertrin / Steam block / Dampfstrufe / Etage vapeur | 6 |
| Kedel / Boiler / Kessel / Chaudière | 8 |
| Olifyr / Oliburner / Ölbrenner / Bruleur | 11 |
| Pumpe / Pump / Pumpe / Pomp | 15 |
| Flowstryring / Water tank- Flowstryring / Stroemungskontrolle / Conduite de folw | 18 |
| Motor / Motor / Motor / Moteur | 21 |
| EI-komponenter / Electric components / Elektrische Komponente / Composantes électrique | 24 |
| Pistol / Pistol / Pistole / Pistolet | 28 |
| Lanser / Lances / Lanzen / Lances | 30 |

Karosserie / Body / Carrosserie / Carrosserie



Karosserie / Body / Carrosserie / Carrosserie

| Pos. | Ref. no. | Betegnelse Description | Bezeichnung Description | 6902A |
|-------|----------|---|---|-------|
| 0 | 06301762 | TRANSFER -ADVARSEL-HÅND TRANSFERS - WARNING-HAND | ETIKETT DREIECK HAND AUTOCOLLANT | 1 |
| 0 | 06301923 | TRANSFERS GERNI TRANSFERS GERNI | KLEBESTREIFEN GERNI AUTOCOLLANT GERNI | 2 |
| 0 | 06302019 | TRANSFERS G6902A TRANSFERS G6902A | KLEBESTREIFEN G6902A AUTOCOLLANT, 6902A | 2 |
| 0 | 06302022 | TRANSFERS N6902A TRANSFERS N6902A | KLEBESTREIFEN N6902A AUTOCOLLANT, N6902A | 2 |
| 01 | 06240218 | KAROSSE GRÅ, N-6000 BODY GREY, N-6000 | KAROSSERIE N-6000 CARROSSERIE N 6000 GRISE | 1 |
| 01 | 06240286 | KAROSSE GRØN, G-6000 BODY GREEN, G-6000 | CARROSSERIE G 6000 VERTE | 1 |
| 02 | 06061397 | DÆKPLADE FOR SKORSTEN , 208X308X1,5 COVER PLATE FOR CHIMNEY, 208X308X1,5 | COUVERTURE P. CHEMINEE | 1 |
| 03 | 06261147 | KEMISLANGE KPL., 1100 MM DETERGENT HOSE CPL., 1100 MM | REINIGUNGSMITTELSCHLAUCH 1100 MM KPL. TUYAU DE DETERGENT 1100 MM CPL. | 1 |
| 04 | 06261146 | KEMISLANGEKIT KPL, 2900 MM G6000 DETERGENT HOSE KIT CPL., 2900 MM G6000 | REINIGUNGSMITTELSCHLAUCHKIT 2900 MM KPL. KIT TUYAU DETERGENT 2900 2900 MM CPL. | 1 |
| 05 | 06211201 | PLASTVENTIL KOMPLET PLASTIC DETERGENT VALVE CPL. | PLASTIK REINIGUNGSMITTELVENTIL KPL VANNE DETERGENT PLASTIQUE | 1 |
| 06 | 06260724 | PLASTKNAPKIT BUTTON KIT, PLASTIC | KNOPFKIT, PLASTIK KIT BOUCHON PLASTIC (R.06 | 1 |
| 07 | 06211137 | INSTRUMENTPANEL INSTRUMENT PANEL | INSTRUMENTENPANEEL KPL. TABLEAU DE CONTROLE CPL | 1 |
| 08 | 06070346 | SKRUE, 6X10 SCREW, 6X10 | SCHRAUBE, P/K, GALV. VIS | 4 |
| 09 | 06080058 | MØTRIK, M6 NUT, M6 | MUTTER, GALV. ECROU | 3 |
| 10 | 06080114 | SKIVE, M6 WASHER, M6 | STERNSCHEIBE RONDELLE A DENTS | 5 |
| 11 | 06080016 | SPÆNDESKIVE, 6 MM TENSION DISC, 6 MM | FEDERSCHEIBE, GALV. RONDELLE DE SERRAGE | 5 |
| 12 | 06100316 | FILTER FOR KEMI DETERGENT FILTER | REINIGUNGSMITTELFILTER ASPIRATION DETERGENT | 1 |
| 13-18 | 06262018 | BRÆNDSTOFTANK, KPL. FUEL TANK, CPL. | RESERVOIR D"COMBUSTIBLE FUEL TANK, CPL. | 1 |
| 14 | 06120295 | KABELGENNEMFØRING, 10X13X18 CABLE GROMMET, 10X13X18 | KABELDURCHFUEHRUNG TRAVERSEE DE CABLE | 1 |
| 15 | 06100317 | BRÆNDSTOFFILTER FUEL FILTER | BRENNSTOFFILTER FILTRE GAS OIL | 1 |
| 16 | 06150093 | LÅG FOR BRÆNDSTOFTANK COVER FOR FUEL TANK | DECKEL F. BRENNSTOFFTANK COUVERCLECOMBUSTIB. COMBUSTIB. | 1 |
| 17 | 06180579 | BUNDPROP, Ø24X20 BOTTOM CAP, Ø24X20 | BODENPFROPFEN F. OELTANK PRISE SUPERIEURE DE RESERA FUEL | 1 |

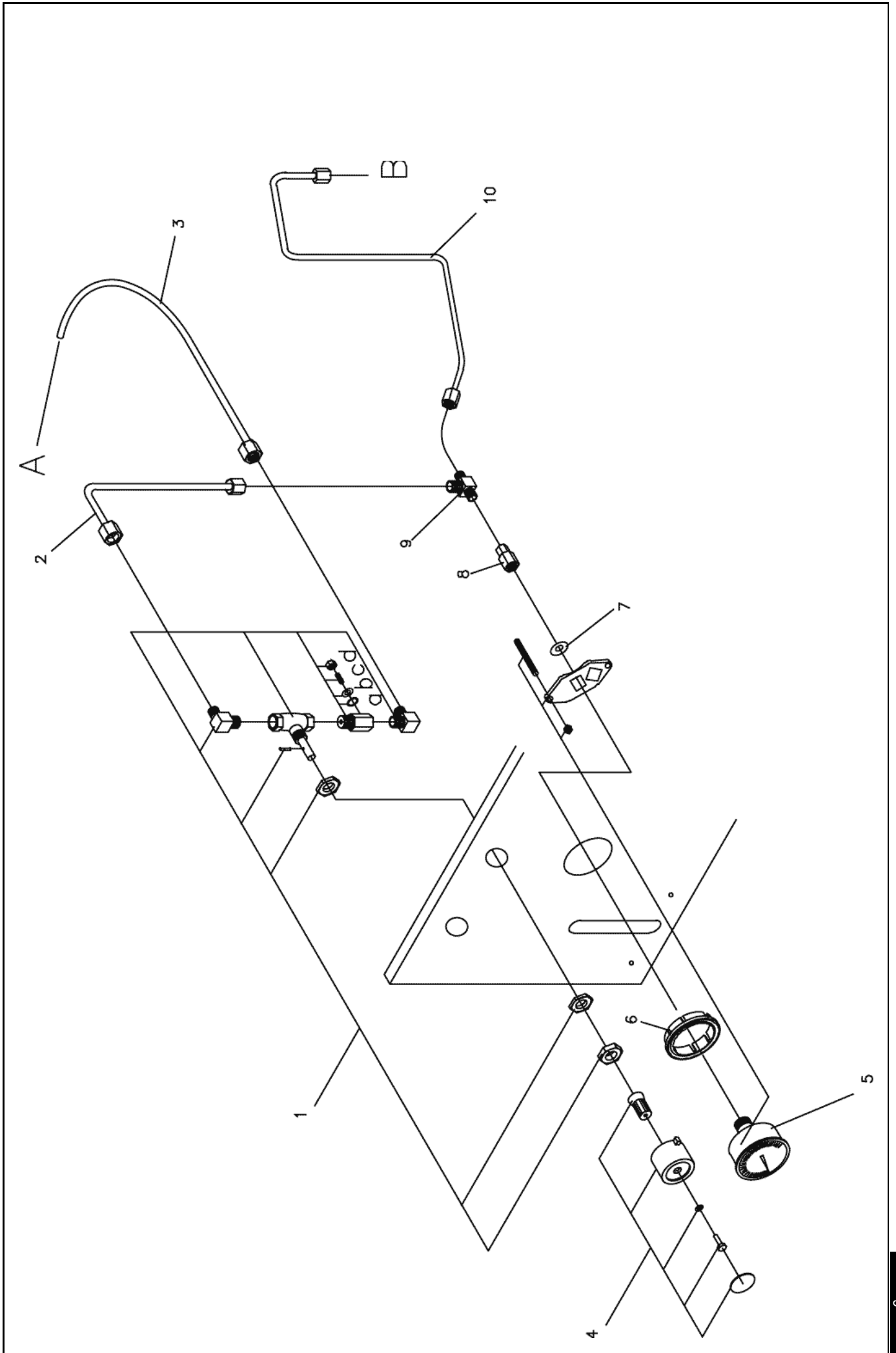
Karosser / Body / Karosserie / Carrosserie

6902A

| Pos. | Ref. no. | Belegelse Description | Belegelse Description | 6902A |
|------|----------|--|---|-------|
| 18 | 06120232 | O-RING, 15X3 O-RING, 15X3 | O-RING JOINT | 1 |
| 19 | 06070003 | SÆTSKRUE, M8X20 SET SCREW, M8X20 | SETZSCHRAUBE, GALV VIS D'ARRRET, GALVANISEE | 1 |
| 20 | 06301859 | TRANSFER, INSTRUMENTPANEL, 10-12 TRANSFER, INSTRUMENT PANEL, 10-12 | AUTOCOLLANT, TABLEAU DE CONTROLE, 10-12 | 1 |
| 22 | 06070742 | SKRUE, 6X16 SCREW, 6X16 | SCHRAUBE VIS 6X16 GALV. | 1 |
| 23 | 06110472 | SPÆNDEBAND, Ø10-Ø12 RETAINING RING, Ø10-Ø12 | SCHLAUCHSCHELLE HERBIE FRETTE NR4011-C | 2 |
| 24 | 06262028 | NIVEAUFØLER LEVEL CONTROL | ÖLNIVEAUKONTROLLE NIVEAU G6900 | 1 |
| 25 | 06080262 | RØRBØJLE, 1/2 20-25MM PIPE HOLDER, 1/2 20-25MM | PORTE-TUYAU, 1/2 20-25MM | 2 |
| 26 | 06070427 | SELVSKÆRENDE SKRUE, 6X16 SELF-TAPPING SCREW, 6X16 | SCHRAUBE P/K, GALV. VIS 6 X 16 TETE RONDE | 4 |
| 29 | 06050801 | RØR FOR INSTRUMENTPANEL, HØJRE, Ø25X2X631 PIPE FOR INSTRUMENT PANEL, RIGHT, Ø25X2X631 | ROHR F. INSTRUMENTENPANEEL RECHT TUYAU POUR TABLEAU DE CONTROLE DROITE | 1 |
| 30 | 06050797 | RØR FOR INSTRUMENTPANEL, VENSTRE, 25X2X631 PIPE FOR INSTRUMENT PANEL, LEFT, 25X2X631 | ROHR F. INSTRUMENTENPANEEL LINKS TUYAU POUR TABLEAU DE CONTROLE GAUCHE | 1 |
| 33 | 06200103 | AFSTANDSSTYKKE DISTANCE PIECE | ZWISCHENSTUECK ENTRETOISE | 4 |
| 36 | 06070393 | SKRUE, 6X10 SCREW, 6X10 | TAP TITE P/K, GALV. VIS ROBINET P/H GALV. | 2 |
| 37 | 06262020 | BUNDRAMME, KPL, G 6900 BOTTOM FRAME, CPL., G 6900 | CADRE DE FOND | 1 |
| 38 | 06080004 | SPÆNDESKIVE, 8,4X17X1,6 TENSION DISC., 8,4X17X1,6 | FEDERSKIBE, GALV. RONDELLE | 4 |
| 39 | 06080018 | STJERNESKIVE, M8 TOOTH LOCK WASHER, M8 | FEDERTELLERSKIBE, GALV. RONDELLE D'ETOILE | 9 |
| 40 | 06070452 | UNBRACO SKRUE, M8X20 ALLEN SCREW, M8X20 | IMBUSSBOLZEN, GALV. INTRAVIS 8X20 GALV. GALV. | 4 |
| 41 | 06130222 | HJUL, 25/65-275/70 WHEEL, 25/65-275/70 | ROUE PLEINE DURE | 4 |
| 43 | 06280200 | LÅSESKIVE, Ø25 LOCK WASHER, Ø25 | ENJOLIVEUR ROUE | 4 |
| 44 | 06080075 | SPÆNDESKIVE, 45X25,5X1,5 TENSION DISC., 45X25,5X1,5 | FEDERSKIBE F. RAD, GALV. RONDELLE DE SERRAGE POURUUE | 4 |
| 45 | 06070287 | SÆTSKRUE, M8X20 SET SCREW, M8X20 | VIS D'ARRRET, M8X20 | 4 |
| 46 | 06200020 | DUPSKO, 8 CAP, 8 | ZWINGE BOUT | 4 |
| 47 | 06200064 | DUPSKO, 25 CAP, 25 | KAPPE BOUT | 2 |

Karosseri / Body / Carrosserie

| Pos. | Ref. no. | Bezeichnung Description | 6902A |
|------|----------|---|-------|
| 48 | 06211140 | FAHRHANDGRIFF KPL. BRANCARD | 1 |
| 50 | 06060947 | LANZENHALTER SUPPORT DE LANCE | 1 |
| 52 | 06070047 | IMBUSSREITSTOCKSCHRAUBE VISQUE QUE | 2 |
| 53 | 06181005 | BUCHSE F. BREMSE G-6000 MANCHON POUR FREINS G-6000 | 2 |
| 55 | 06061132 | SCHLIESSBESCHLAG F. BREMSE LOCK FITTINGS FOR BRAKE, *D | 1 |
| 56 | 06200288 | KUGEL, SCHWARZ BOULETTE(NTE) NTE) | 1 |
| 57 | 06070818 | POPNUMMER RIVET G-4000/ACIER /ACIER | 10 |
| 58 | 06080062 | SELBSTSCHLIESSENDE MUTTER, GALV. ECROU INDESERRABLE LAITON | 1 |
| 59 | 06120087 | O-RING O-RING, 5,28X1,78 | 1 |
| 60 | 06080157 | FEDERSCHEIBE, GALV. TENSION DISC, M6 | 3 |
| 61 | 06080132 | SCHEIBE, GALV. RONDELLE | 1 |
| 62 | 06070767 | SCHRAUBE 6X30 VIS M6X30 HFC | 2 |
| 63 | 06211136 | REINIGUNGSMITTELHALTER KPL. DETERGENT CARRIER CPL. | 1 |
| 64 | 06070393 | TAP TITE P/K, GALV. VIS ROBINET P/H GALV. | 6 |
| 65 | 06220054 | TIMETÄLLER, 24V HOUR METRE, 24V | 1 |
| 66 | 06120566 | PAKNING GASKET | 1 |

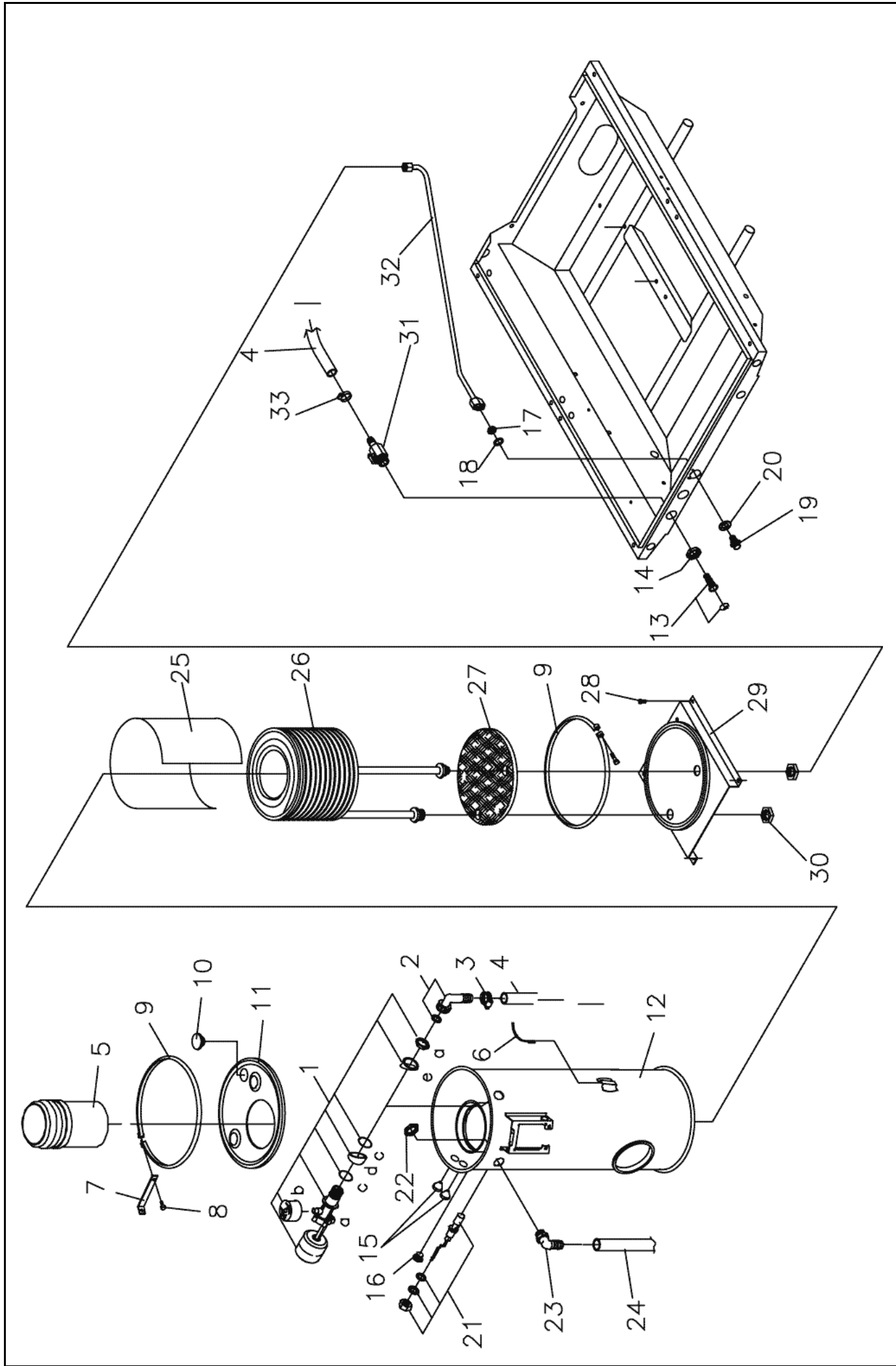


Supertrin / Steam block / Dampfstrufe / Etage vapeur

6902A

| Pos. | Ref. no. | Betegnelse Description | Bezeichnung Description | |
|-------|----------|--|--|---|
| 01 | 06262007 | DAMPTRINSHANE KIT STEAM DEVICE COCK KIT | VANNE PHASE VAPEUR | 1 |
| 01A | 06120087 | O-RING, 5,28X1,78 O-RING, 5,28X1,78 | O-RING JOINT TORIQUE | 1 |
| 01B | 06080022 | SPÆNDESKIVE, M5 TENSION DISC, M5 | FEDERSKIBE MESSING RONDELLE DE SERRAGE LAITO | 1 |
| 01C | 06070138 | UNBRACO PINOLSKRUE, M5X16 ALLEN POINTED SCREW, M5X16 | IMBUSSREITSTOCKSCHRAUBE, ROSTFREI VIS PIVOTQUE, INOX QUE, INOX | 1 |
| 01D | 06080057 | MØTRIK, M5 NUT, M5 | MUTTER MESS ECROU LAITON | 1 |
| 02 | 06261167 | RØR FOR SUPERTRIN KPL., TILGANG, 6000 PIPE FOR STEAM BLOCK CPL., INLET, 6000 | ROHR F. DAMPFSTUFE KPL. TUYAU POUR ETAGE SUPER CPL. | 1 |
| 03 | 06261169 | SERVICEKIT FOR SUPRTRINSSLANGE, AFGANG, G6000 SERVICE KIT FOR STEAM BLOCK HOSE, OUTLET, G6000 | SERVICEKIT F. DAMPFSTUFESCHLAUCH KIT SERVICE P. TUYAU ETAGE ETAGE SUPER | 1 |
| 04 | 06260724 | PLASTKNAPKIT BUTTON KIT, PLASTIC | KNOPFKIT, PLASTIK KIT BOUCHON PLASTIC (R.06) | 1 |
| 05 | 06220046 | TURBO MANOMETER PRESSURE GAUGE W/HOLDER, 250/ 3600 BAR/PSI/ETP | TURBO MANOMETER MANOMETRE | 1 |
| 06 | 06200401 | RING FOR MANOMETER RING FOR PRESSURE GAUGE | RING FÜR MANOMETER ANNEAU (PLUS FOURNI) | 1 |
| 07 | 06080138 | SPÆNDESKIVE, M5 TENSION DISC, M5 | FEDERSKIBE, KUPFER RONDELLE DE SERRAGE CU CUIVRE | 1 |
| 10 | 06261171 | RØR FOR MANOMETER KPL. PIPE FOR PRESSURE GAUGE CPL. | ROHR F. MANOMETER KPL. TUYAU POUR MANOMETRE COMP | 1 |
| 7+8+9 | 06262035 | KIT FOR MANOM. FORSKRUNING KIT PRES. GAUGE SCREW | KIT DE RACCORD DE MANOMETRE | 1 |

Kedel / Boiler / Kessel / Chaudière



Kedel / Boiler / Kessel / Chaudière

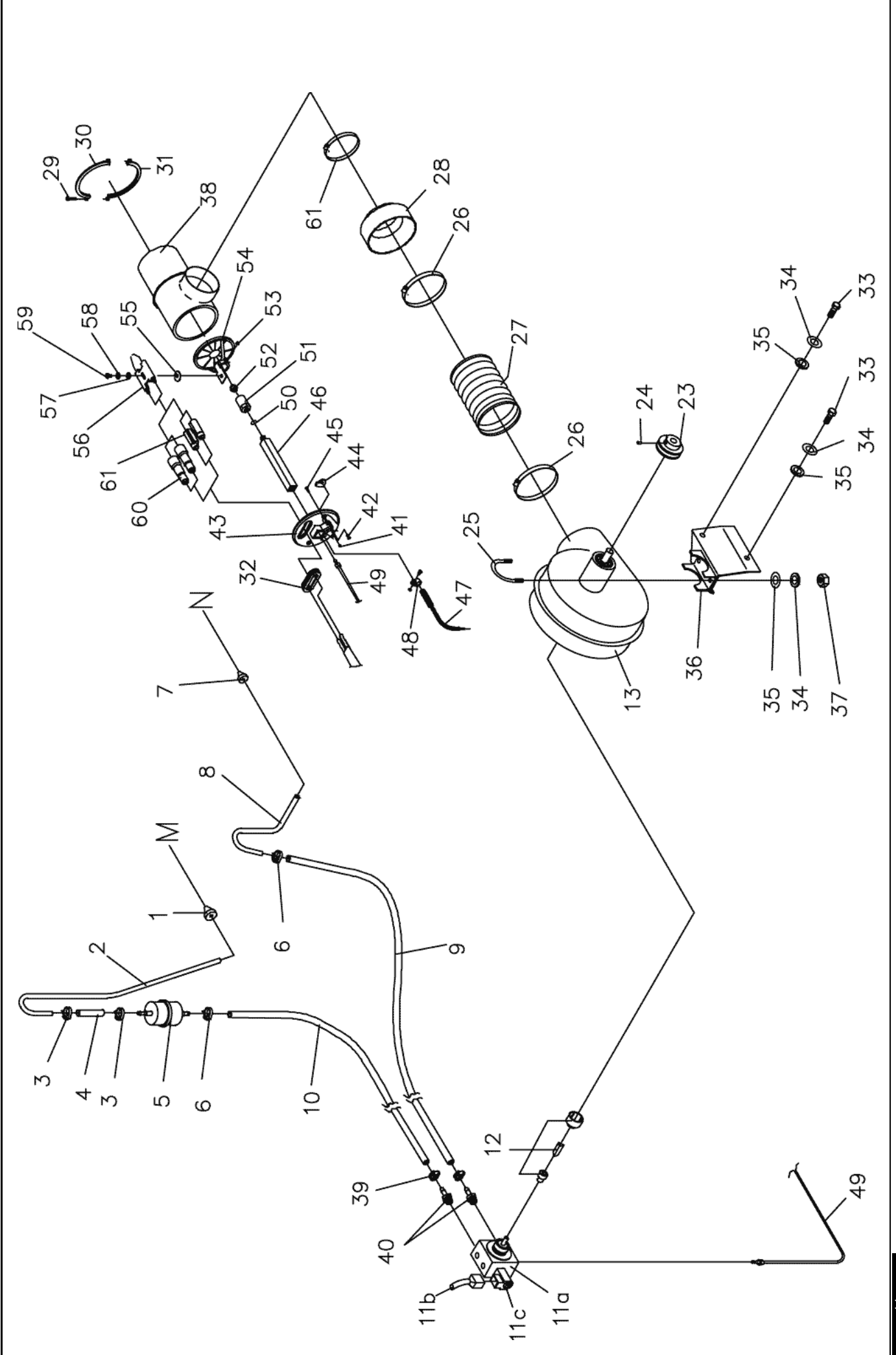
| Pos. | Ref. no. | Betegnelse Description | Bezeichnung Description | 6902A |
|------|----------|--|--|-------|
| 01 | 06261528 | SVØMMERVENTIL KPL. G4000 FLOAT VALVE CPL., G4000 | SCHWIMMerventil KPL. VANNE A FLOTTEUR CPL. G30 | 1 |
| 01A | 06100347 | SVØMMER KPL. FLOAT VALVE CPL. | SCHWIMMerventil EINSCHL. MUTTER + DICHT. VANNE FLOTTEUR G-4000S ECS ECROU+JOINT | 1 |
| 01B | 06120475 | SVAMP FOR SVØMMER SPONGE FOR FLOAT | SCHWAMM F. SCHWIMMER EPONGE P. FLOTTEUR | 1 |
| 01C | 06120156 | O-RING, 32X2 O-RING, 32X2 | O-RING JOINT TORIQUE | 2 |
| 01D | 06200354 | AFSTANDSRING FOR SVØMMER DISTANCE RING FOR FLOATER | DISTANZRING F. SCHWIMMER BAQUE ECARTEMENT POUR FLOTTEUR | 1 |
| 01E | 06200355 | PAKNING FOR SVØMMER GASKET FOR FLOAT VALVE | DICHTUNG F. SCHWIMMER JOINT POUR FLOTTEUR | 1 |
| 02 | 06030681 | VINKELSTUDS, 3/4" ANGLE SOCKET, 3/4" | WINKELSTUTZEN PLASTIK RACCORD EQUERRE PLASTIQUE | 1 |
| 03 | 06110471 | SPÆNDEBAND, 14-32 RETAINING RING, 14-32 | SCHLAUCHSCHELLE HS12 FRETTE | 1 |
| 04 | 06110638 | TILGANGSSLANGE, 3/4X1000 INLET HOSE, 3/4X1000 | TUYAU D'ENTREE, 3/4X1000 | 1 |
| 05 | 06211676 | SKORSTENSRØR CHIMNEY PIPE | TUBE DE CHEMINEE | 1 |
| 06 | 06262019 | THERMOFØLER - OVERKOG, G6900A/C THERMAL PROTECTOR - PRIMING, G6900A/C | AUFWALLENKONTROLLE THERMOSTAT DE PRIMAGE | 1 |
| 07 | 06061395 | BESLAG, 2X20X106.5 FITTINGS, 2X20X106.5 | ARMATURE, 2X20X106.5 | 1 |
| 08 | 06070801 | UNBRACO SKRUE, M6X35 ALLEN SCREW, M6X35 | IMBUSS TETE CYLINDRIQUE | 2 |
| 09 | 06110511 | SPÆNDEBESLAG, Ø 270 FITTINGS, Ø 270 | BESCHLAG CERCLE D'ASSEMBL. CHAUDIER | 2 |
| 10 | 06120543 | PROP PLUG | CAPUCHON EN CAOUTCHOUC DIA. 25 | 1 |
| 11 | 06211547 | LÅG FOR KEDEL COVER FOR BOILER | DECKEL F. KESSEL COUVERCLE | 1 |
| 12 | 06211680 | KEDEL, G6900 BOILER, G6900 | CHAUDIÈRE CPL. G6900 CHAUDIÈRE 6900 | 1 |
| 13 | 06260825 | VANDFILTERKIT, 3/4" WATER FILTER KIT, 3/4" | WASSERFILTERKIT FILTRE EAU, 3/4" | 1 |
| 14 | 06180384 | KONTRAMØTRIK, 3/4" COUNTER NUT, 3/4" | GEGENMUTTER CONTRE ECROU NV 32 X 8 | 1 |
| 15 | 06120111 | PAKDASE, C 5-7 STUFFING BOX, C 5-7 | STOPFBUCHSE PRESSE-ETOUPE CAOUTCHOUC | 2 |
| 16 | 06200388 | AFDÆKNINGSPROP, Ø16 COVERING PLUG, Ø16 | PFROPFEN SCHWARZ Ø16 CAPUCHON ACOUTCHOUX NOIR Ø16 | 1 |
| 17 | 06080201 | SPÆNDESKIVE, M8 TENSION DISC, M8 | FEDERSKIBE, GALV. DISQUE | 1 |

Kedel / Boiler / Kessel / Chaudière

6902A

| Pos. | Ref. no. | Betegnelse Description | Bezeichnung Description | |
|------|----------|---|--|---|
| 18 | 06120184 | PAKNING GASKET | DICHTUNG JOINT DIAM 28,5 X 22 X 2, | 1 |
| 19 | 06180468 | AFGANGSTUDS, 24X62 OUTLET SOCKET, 24X62 | AUSSLASSTUTZEN RACCORD DE SORTIE NV 27 X | 1 |
| 20 | 06120183 | PAKNING GASKET | DICHTUNG JOINT DIAM 38,5 X 27 X 2, | 1 |
| 21 | 06262027 | VANDNIVEAUFØLER KOMPLET WATER LEVEL PROTECTOR CPL., 6900A | WASSERNIVEAUKONTROLLE JAUGE DE NIVEAU DE L'EAU, CPL., 6900A | 1 |
| 22 | 06181129 | MØTRIK, 36X8 NUT, 36X8 | GEGENMUTTER ECROU G-3000 | 1 |
| 23 | 06030736 | VINKELSTUDS PLASTIK, 3/4X3/4 ANGLE SOCKET PLASTIC, 3/4X3/4 | WINKELSTUTZEN RACCORD EQUERRE | 1 |
| 24 | 06110324 | TILGANGSSLANGE, 3/4X700 INLET HOSE, 3/4X700 | EINLASSSCHLAUCH TUYAU D'ENTREE | 1 |
| 25 | 06061432 | VARMEPLADE, 625X300X0.5 HEATING PLATE, 625X300X0.5 | PLAQUE DE CHAUFFAGE | 1 |
| 26 | 06211682 | SPIRAL, 9-L 6900 HEATING COIL, 9-L 6900 | SERPENTIN 9-COUCHES G6900 | 1 |
| 27 | 06120423 | FIBERRONDEL, Ø252X16 INSULATION, Ø252X16 | RUNDTEIL ISOLATION CHAUDIERE G-300 | 1 |
| 28 | 06070393 | SKRUE, 6X10 SCREW, 6X10 | TAP TITE P/K, GALV. VIS ROBINET P/H GALV. | 4 |
| 29 | 06211681 | BUNDPLADE FOR KEDEL BOTTOM FOR BOILER | GICLEUR | 1 |
| 30 | 06181129 | MØTRIK, 36X8 NUT, 36X8 | GEGENMUTTER ECROU G-3000 | 2 |
| 31 | 06262022 | TILSLUTNING, VAND, 6900A INLET, WATER, 6900A | ENTRÉE, L'EAU, 6900A | 1 |
| 32 | 06262008 | AFGANGSRØR KOMPLET OUTLET PIPE CPL. | TUYAU DE DEPART CPL. | 1 |
| 33 | 06110471 | SPÆNDEBAND, 14-32 RETAINING RING, 14-32 | SCHLAUCHSCHELLE HS12 FRETTE | 1 |

Oliefyr / Oilburner / Ölbrenner / Bruleur



Oliefyr / Oilburner / Ölbrenner / Bruleur

| Pos. | Ref. no. | Betegnelse Description | Bezeichnung Description | 6902A |
|------|----------|---|---|-------|
| 01 | 06120106 | PAKDASE, C 7-10 STUFFING BOX, C 7-10 | STOPFBUCHSE PRESSE-ETOUPE | 1 |
| 02 | 06051031 | TILGANGSRØR FOR OLIEFILTER, Ø8X1X480 INLET PIPE FOR OIL FILTER, Ø8X1X480 | TUYAU D'ENTREE P. FILTRE A HUILE, □8X1X480 | 1 |
| 03 | 06110487 | SPÆNDEBÅND, Ø12,0 - Ø14,0 RETAINING RING, Ø12,0 - Ø14,0 | SCHLAUCHSCHELLE ANNEAU | 2 |
| 04 | 06110535 | PLASTSLANGE, 5/16X60 PLASTIC HOSE, 5/16X60 | PLASTIK SCHLAUCH F. SAUGROHR TUYAU D'ASP. 4000 E D'ASP. 4000 | 1 |
| 05 | 06230327 | BRÆNDSTOFFFILTER FUEL FILTER | BRENNSTOFFFILTER FILTRE A GASOIL G-3000 | 1 |
| 06 | 06110494 | SPÆNDEBÅND, 10-12 RETAINING RING, 10-12 | SCHLAUCHSCHELLE 8- FRETTE | 2 |
| 07 | 06120111 | PAKDASE, C 5-7 STUFFING BOX, C 5-7 | STOPFBUCHSE PRESSE-ETOUPE CAOUTCHOUC | 1 |
| 08 | 06051032 | RETURRØR, OLIE, Ø8X1X210 RETURN PIPE, OIL, Ø8X1X210 | TUYAU DE RETOUR, HUILE, □8X1X210 | 1 |
| 09 | 06110630 | RETURSLANGE, 1/4"X1300 RETURN HOSE, 1/4"X1300 | TUYAU DE RETOUR, 1/4"X1300 | 1 |
| 10 | 06110629 | SUGESLANGE, 1/4" X 1100 SUCTION HOSE, 1/4" X 1100 | TUYAU D'ASPIRATION, 1/4" X 1100 | 1 |
| 11 | 06261040 | BRÆNDSTOFFPUMPE KPL., 24 V FUEL PUMP CPL., 24 V | SERVICEKIT F. OELPUMPE KIT DE SERVICE POMPE HUIL D'HUILE | 1 |
| 11A | 06230303 | OLIEPUMPE 24V 50/60HZ FUEL PUMP WITH COIL, 24V 50/60HZ | OELPUMPE POMPE HUILE G-5000 | 1 |
| 11B | 06160771 | LEDNING FOR BRÆNDSTOFFPUMPE CABLE FOR FUEL PUMP | KABEL F. OELPUMPE CABLE ELECTROVANNE | 1 |
| 11C | 06230306 | SPOLE F. MAGNETVENTIL 24V COIL FOR MAGNET VALVE, 24V | SPULE F. OELPUMPE BOBINE P. POMPE D'HUILE G- | 1 |
| 12 | 06260861 | KIT F. KOBLING OLIEPUMPE FUEL PUMP COUPLING KIT | OELPUMPE KUPPLUNGSKIT KIT ACCOUPLEM. POMP. GASOIL | 1 |
| 13 | 06230301 | BLÆSERHUS M. AKSEL, KPL. BLOWER HOUSING W. AXLE, CPL. | GEBLÆSEGEHÆUSE M. WELLE KPL. CORPS SOUFFLANT G-6000E CE CPL. | 1 |
| 23 | 06130189 | KILLEREMSKIVE | KEILRIEMENSCHIBE POULIE COUR. ARBR. POMPEEZOZOIDAILE | 1 |
| 24 | 06070047 | UNBRACO PINOLSKRUE, M6X6 ALLEN POINTED SCREW, M6X6 | IMBUSSREITSTOCKSCHRAUBE VISQUE QUE | 2 |
| 25 | 06040151 | BØJLE FOR BLÆSERHUS, Ø8X190 CLAMP FOR IMPELLER HOUSING, Ø8X190 | BUEGEL F. GEBLÆSEGEHÆUSE BRIDEFFLEUR FFLEUR | 1 |
| 26 | 06110162 | SPÆNDEBÅND, Ø10X170 RETAINING RING, Ø10X170 | SCHLAUCHSCHELLE FRETTE | 2 |
| 27 | 06110632 | SUPERFLEX FOR OLIEFYR SUPER TUBING FOR OIL BURNER, Ø102X650 | SUPERFLEX POUR BRULEUR, □102X650 | 1 |
| 28 | 06181447 | BØSNING, Ø100X7X37,5 SLEEVE, Ø100X7X37,5 | DOUILLE, □100X7X37,5 | 1 |

Oliefyr / Ölbrænder / Ölbrænder / Brænder

6902A

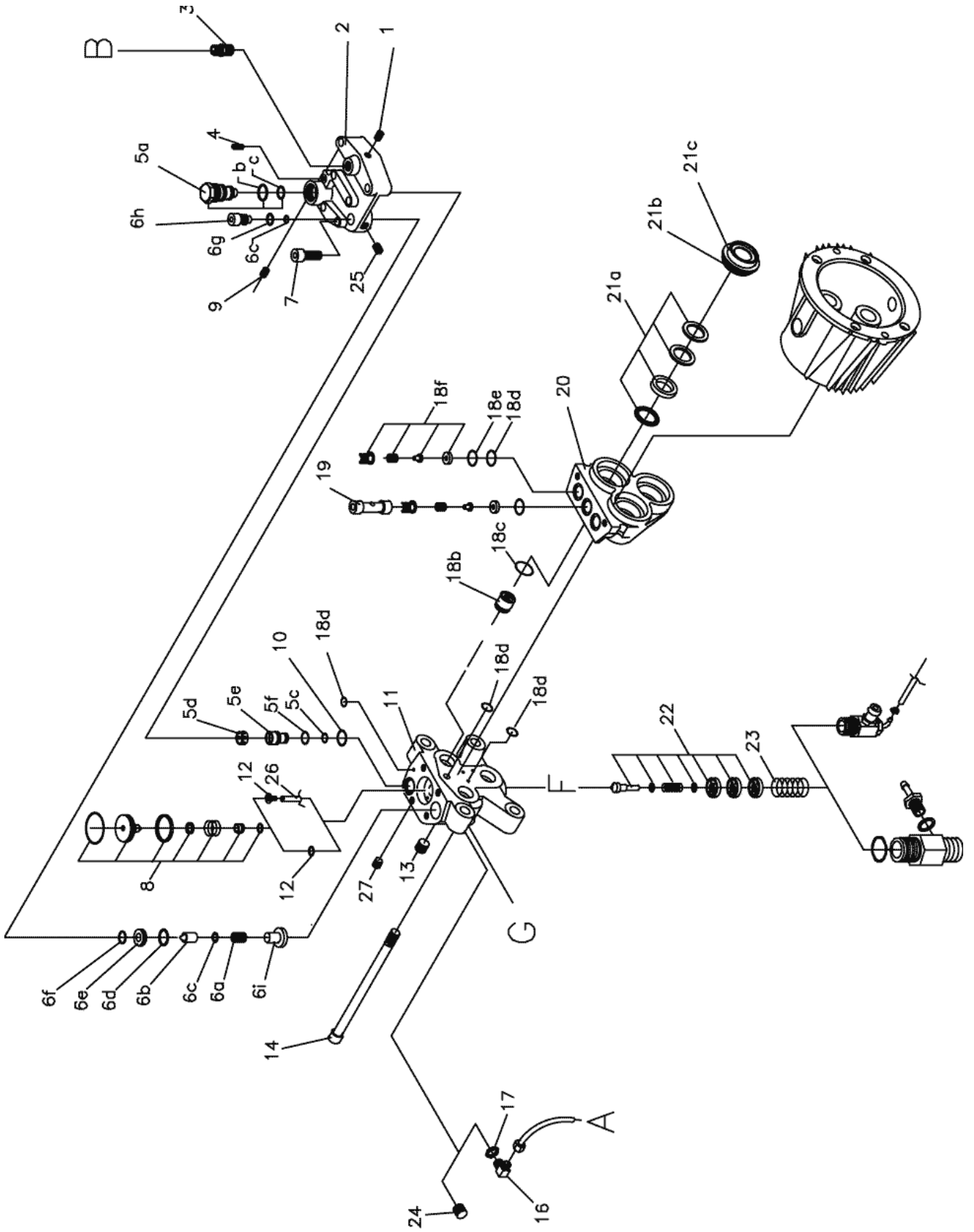
| Pos. | Ref. no. | Betegnelse Description | Bezeichnung Description | |
|------|----------|---|--|---|
| 29 | 06070801 | UNBRACO SKRUE, M6X35 ALLEN SCREW, M6X35 | IMBUSS TETE CYLINDRIQUE | 2 |
| 30 | 06110520 | SPÆNDEBESLAG, Ø110 FITTINGS, Ø110 | BESCHLAG CERCLE D'ASSEMBLEUR GA | 1 |
| 31 | 06110512 | SPÆNDEBESLAG, Ø110 FITTINGS, Ø110 | BESCHLAG CERCLE D'ASSEMBLEUR DR | 1 |
| 32 | 06200489 | GENNEMFØRING, 60SH GROMMET, 60SH | TRVERSE, 60SH | 1 |
| 33 | 06070003 | SÆTSKRUE, M8X20 SET SCREW, M8X20 | SETZSCHRAUBE, GALV. VIS D'ARRRET, GALVANISEE | 2 |
| 34 | 06080018 | STJERNESKIVE, M8 TOOTH LOCK WASHER, M8 | FEDERTELLERSKIVE, GALV. RONDELLE D'ETOILE | 4 |
| 35 | 06080004 | SPÆNDESKIVE, 8,4X17X1,6 TENSION DISC, 8,4X17X1,6 | FEDERSKIVE, GALV. RONDELLE | 4 |
| 36 | 06211139 | KONSOL FOR BLÆSERHUS BRACKET FOR BLOWER HOUSING | WAND F. GEBLÆSEGEHÆUSE KPL. CONSOLE POUR CORPS SOUFFLANT CPL. | 1 |
| 37 | 06080002 | MØTRIK, M8 NUT, M8 | MUTTER, GALV. ECROU | 2 |
| 38 | 06230314 | BRÆNDERHUS BURNER HOUSING | BRENNERGEHÆUSE CORPS DE COMBUSTIBLE | 1 |
| 39 | 06110564 | SPÆNDEBAND RETAINING RING | SCHLAUCHSCHELLE ABA9 FRETTE | 2 |
| 40 | 06030342 | SLANGENIPPEL, 6 X 1/4" HOSE NIPPLE, 6 X 1/4" | SCHLAUCHNIPPEL RACCORD DE TUYAU | 2 |
| 41 | 06080056 | MØTRIK, M4 NUT, M4 | MUTTER, GALV. ECROU | 1 |
| 42 | 06070810 | SKRUE, 4,8X19 SCREW, 4,8X19 | SCHRAUBE VIS POUR BUTEE G-4500 | 2 |
| 43 | 06200335 | DÆKSEL FOR BRÆNDERHUS, 3000/4000 COVER FOR BURNER HOUSING, 3000/4000 | DECKEL F. BRENNERGEHÆUSE COUVERCLE P.CORPS DEBUSTIBUSTIBLE | 1 |
| 44 | 06200360 | LÅSEPAL FOR DÆKSEL LOCKING PAWL | SCHLIESSCHALTKLINKE F. DECKEL BUTEE DE CANNE DE BRULEURCILE | 2 |
| 45 | 06070341 | SKRUE, 4X16 SCREW, 4X16 | SCHRAUBE P/K, GALV. VIS | 1 |
| 46 | 06181448 | DYSESTOK, 15X15X127 NOZZLE TUBE, 15X15X127 | GICLÉUR TUBE, 15X15X127 | 1 |
| 47 | 06262032 | FOTOCELLE, G6900A PHOTOCELL, G6900A | PHOTOZELLE MIT WIDERSTAND PHOTO CELLULE POUR G6900A | 1 |
| 48 | 06230330 | SPÆNDERING RETAINING RING | SCHLAUCHSCHELLE F. PHOTOZELLE ANNEAU DE SERRAGE | 1 |
| 49 | 06262023 | TRYKRØR FOR OLIEPUMPE, 6900 PRESSURE PIPE FOR OIL BURNER, 6900 | TUYAU DE PRESSIONS POUR BRULEUR, 6900 | 1 |
| 50 | 06120265 | O-RING, 7X1.5 O-RING, 7X1.5 | O-RING JOINT | 1 |

Oliefyr / Oilburner / Ölbrenner / Bruleur

6902A

| Pos. | Ref. no. | Betegnelse Description | Bezeichnung Description | |
|------|----------|---|--|---|
| 51 | 06181107 | DYSEHOLDER, 19X30 NOZZLE HOLDER, 19X30 | DUESEHALTER SUPPORT GICLEUR | 1 |
| 52 | 06230347 | OLIJDYSE, 1,75 GALL OIL NOZZLE, 1,75 GALL 80GR-H | OELDUJESE GICLEUR A GAS-OIL G-4000 | 1 |
| 53 | 06070047 | UNBRACO PINOLSKRUE, M6X6 ALLEN POINTED SCREW, M6X6 | IMBUSSREITSTOCKSCHRAUBE VISQUE | 1 |
| 54 | 06230331 | BLANDESKIVE MIXING DISC | LUFTMISCHSCHEIBE DISQUE D'EMULSION G-3000/ | 1 |
| 55 | 06080212 | UNDERLAGSSKIVE, Ø20XØ5X0,5 WASHER, Ø20XØ5X0,5 | BOLZENSCHIBE RONDELLE | 1 |
| 56 | 06230336 | TÆNDELEKTRODE IGNITION ELECTRODE | ZUENDELEKTRODE ELECTRODE D'ALLUMAGE | 1 |
| 57 | 06080087 | SPÆNDESKIVE, M8 TENSION DISC, M8 | SCHEIBE, GALV. DISQUE | 1 |
| 58 | 06080162 | FJEDERSKIVE, M5 SPRING WASHER, M5 | FEDERSCHIBE DISQUE | 1 |
| 59 | 06070491 | SKRUE, 5X12 SCREW, 5X12 | TAP TITE P/K VIS | 1 |
| 60 | 06230243 | TÆNDRØRSHÆTTE IGNITION PIPE | ZUENDRØRSHÆTTE PROTECTION DU TUBE D'ALLUMATION A/RESIS. | 2 |
| 61 | 06120557 | GUMMIHÆTTE RUBBER CAP | CAPUCHON CAOUT.SERIE 4002 | 1 |

Pumpe / Pump / Pumpe / Pomp



Pumpe / Pump / Pumpe / Pomp

6902A

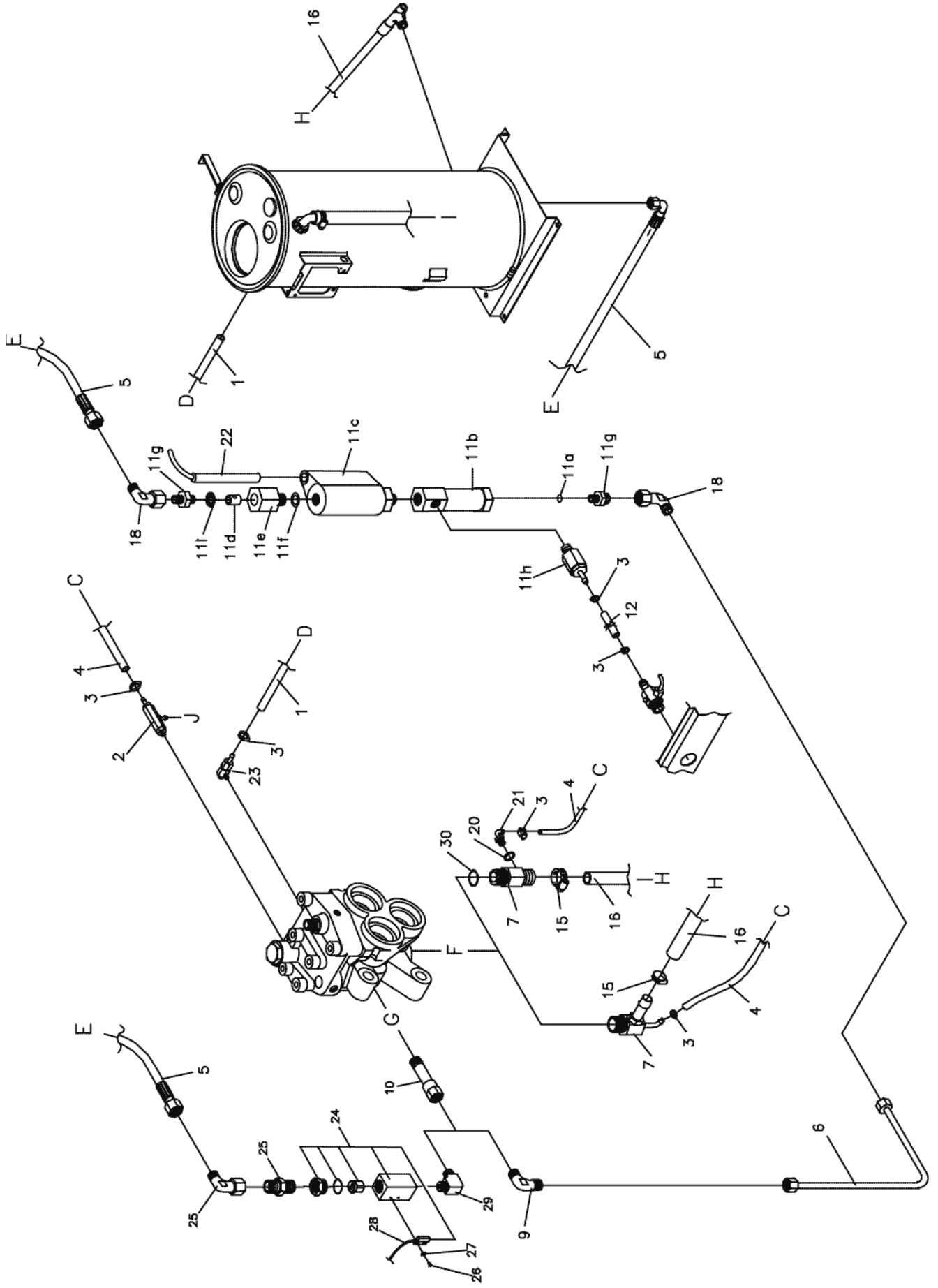
| Pos. | Ref. no. | Betegnels Description | Bezeichnung Description |
|------|----------|---|---|
| 0 | 06261445 | O-RINGSKIT FOR PUMPE, 600/660/5/6000 O-RING KIT FOR PUMP, 600/660/5/6000 | KIT O-RINGE F. PUMPE KIT JOINT TORIQUE P.POMPE |
| 0 | 06262261 | TOPSTYKKE, KPL., G6900A CYLINDER HEAD, CPL., G6900A | CULASSE DE CYLINDRE, CPL., G6900A |
| 01 | 06030554 | RØRPROP, 1/8" PLUG FOR PIPE, 1/8" | ROHRSTOPFEN RACCORD |
| 02 | 06180755 | TRYKMANIFOLD, 600 PRESSURE MANIFOLD, 600 | DRUCKMANIFOLD COLLECTEUR PRESSION G 600 |
| 03 | 06030468 | HYDRAULIKFORSKRUNING, 1/4" HYDRAULIC SCREWED CONNECTION, 1/4" | HYDRAULIKVERSCHRAUBUNG GALV. JOINT TUYAU + RACCORD 1/4. |
| 04 | 06070755 | UNBRACO PINOLSKRUE, M5X16 ALLEN POINTED SCREW, M5X16 | REITSTOCKSCHRAUBE INWENDIG 6 KT VIS PIVOT INTERIEURE 6KTTDDIN915 |
| 05 | 06261951 | SERVICEKIT INJECTORDYSE SERVICE KIT INJECTOR NOZZLE | SERVICEKIT F. INJEKTORDÜSE KIT GICLEUR INJECTEUR |
| 05B | 06120270 | O-RING, 15.6X1,78 O-RING, 15.6X1,78 | O-RING JOINT TORIQUE 15.6X1.78 |
| 05C | 06120182 | O-RING, 16X2 O-RING, 16X2 | O-RING JOINT TORIQUE |
| 05F | 06120042 | O-RING, 9,1X1,6 O-RING, 9,1X1,6 | O-RING JOINT TORIQUE |
| 06 | 06260899 | SIKKERHEDSVENTILKIT SAFETY VALVE KIT, G 600 | SICHERHEITSVENTILKIT KIT VANNE BY PASS G-600- |
| 06C | 06120182 | O-RING, 16X2 O-RING, 16X2 | O-RING JOINT TORIQUE |
| 06D | 06120308 | O-RING, 17,17X1,78 O-RING, 17,17X1,78 | O-RING JOINT TORIQUE G 600 |
| 06F | 06120267 | O-RING, Ø10,82X1,78 O-RING, Ø10,82X1,78 | O-RING JOINT |
| 06G | 06120337 | O-RING, 6,07X1,78 O-RING, 6,07X1,78 | O-RING JOINT TORIQUE |
| 07 | 06070510 | UNBRACO SKRUE, M10X40 ALLEN SCREW, M10X40 | IMBUSSBOLZEN, GALV. BOULON G 600 |
| 08 | 06120024 | O-RING, 9,25X1,78 O-RING, 9,25X1,78 | O-RING JOINT TORIQUE MAT 4470 |
| 08 | 06120042 | O-RING, 9,1X1,6 O-RING, 9,1X1,6 | O-RING JOINT TORIQUE |
| 08 | 06120047 | O-RING, 28,3X1,78 O-RING, 28,3X1,78 | O-RING JOINT TORIQUE 28,3 X 1,78 |
| 08 | 06120271 | O-RING, 37,82X1,78 O-RING, 37,82X1,78 | O-RING JOINT TORIQUE 37,82X1,78 |
| 08 | 06260900 | OMLØBSVENTILKIT BY-PASS VALVE KIT | UMLAUFVENTILKIT KIT VANNE BY-PASS G600 |
| 09 | 06070456 | UNBRACO PINOLSKRUE, M6X6 ALLEN POINTED SCREW, M6X6 | IMBUSS-REITSTOCKSCHRAUBE ROSTFREI VIS INOX INOX |

Pumpe / Pump / Pumpe / Pomp

6902A

| Pos. | Ref. no. | Beegnelse Description | Bezeichnung Description |
|------|----------|--|---|
| 10 | 06120415 | O-RING, 17,17X1,78 O-RING, 17,17X1,78 | O-RING JOINT TORIQUE 17,17X1,78 |
| 11 | 06180749 | PUMPEHOVED, G600 PUMP HEAD, G600 | PUMPENKOPF CULASSE G 600 |
| 12 | 06181438 | FORMINDSKERSKIVE REDUCER DISC | DISQUE DIMINUTIVE |
| 13 | 06030642 | RØRPROP, 3/8" PLUG FOR PIPE, 3/8" | ROHRPFROPFEN BOUCHON DE TUBE |
| 14 | 06070492 | UNBRACO SKRUE, M12X200 ALLEN SCREW, M12X200 | IMBUSSBOLZEN BOULON 12X200 G 600 |
| 16 | 06030503 | VINKELNIPPEL, 6X1/4" ANGLE NIPPLE, 6X1/4" | WINKELNIPPEL RACCORD COUDE |
| 17 | 06180515 | MØTRIK, 17X2,5 NUT, 17X2,5 | MUTTER ECROU BRONZE |
| 18 | 06260894 | VENTILKIT VALVE KIT | VENTILKIT KIT POMPE A EAU CLAPETS |
| 18A | 06120175 | O-RING, 16X2 O-RING, 16X2 | O-RING, 90 SHORE JOINT |
| 18C | 06120323 | O-RING, 21,95X1,78 O-RING, 21,95X1,78 | O-RING JOINT TORIQUE G 600 |
| 18D | 06120308 | O-RING, 17,17X1,78 O-RING, 17,17X1,78 | O-RING JOINT TORIQUE G 600 |
| 18E | 06120267 | O-RING, Ø10,82X1,78 O-RING, Ø10,82X1,78 | O-RING JOINT |
| 19 | 06180753 | AFSTANDSSTYKKE, Ø16X55 DISTANCE PIECE, Ø16X55 | ZWISCHENSTUECK ENTRETOISE G 600 |
| 20 | 06180750 | CYLINDERSTYKKE CYLINDER PIECE | ZYLINDERSTUECK CULASSE G 600 |
| 21 | 06261444 | MANCHET KIT FOR KERAMIKSTEMPEL CUP KIT FOR CERAMIC PISTON | KIT F. MANSCHETTE G-660/5000 KIT POMPE A EAU COUPELLES |
| 21B | 06120070 | O-RING, 40X2 O-RING, 40X2 | O-RING JOINT TORIQUE |
| 22 | 06261005 | KONTRAVENTILKIT, G-600 NON-RETURN VALVE KIT, G-600 | RUECKSCHLAGVENTILKIT KIT VANNE ANTI RETOURG600 |
| 23 | 06280115 | FJEDER, 2X23,75X40X4 SPRING, 2X23,75X40X4 | FEDER RESSORT |
| 25 | 06180998 | RØRPROP, 1/8" PLUG FOR PIPE, 1/8" | ROHRPFROPFEN BOUCHON DE TUBENE EXTERIENE EXTERIEUR |
| 27 | 06030661 | RØRSTOPFEN, 1/8" PLUG FOR PIPE, 1/8" | ROHRSTOPFEN BOUCHON |

Flowstrying / Water tank- Flowstrying / Stroemungskontrolle / Conduite de folw



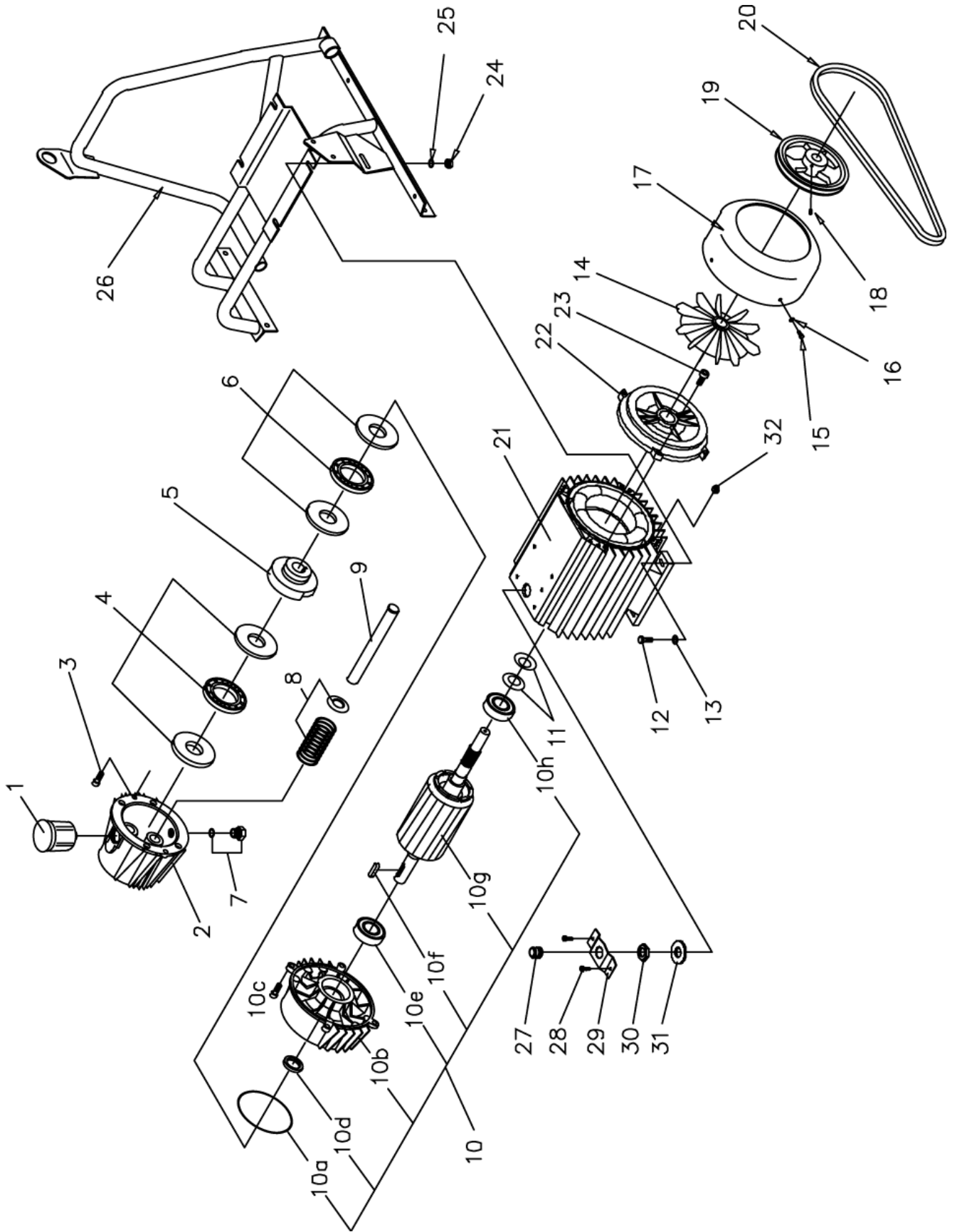
Flowstrying / Water tank- Flowstrying / Stroemungskontrolle / Conduite de folw

| Pos. | Ref. no. | Beegnelse Description | Bezeichnung Description | 6902A |
|-------|----------|--|--|-------|
| 0 | 06120381 | O-RING, 18,00X2,00 N70 O-RING, 18,00X2,00 N70 | O-RING #18X2 | 2 |
| 0 | 06261302 | O-RINGSKIT FOR TILGANGSSTUDS O-RING KIT FOR INLET SOCKET | KIT O-RING F. EINLASSSTUTZEN KIT JOINTSCCORD D'ENTREE CCORD D'ENTREE | 1 |
| 01 | 06110610 | ARMERET PLASTSLANGE, Ø6X9X780 ARMURED PLASTIC HOSE, Ø6X9X780 | SCHLAUCH F. UMLAUF TUYAU P. BY-PASS G-4000C | 1 |
| 02 | 06211278 | KEMIVENTIL HØJTRYK KPL. DETERGENT VALVE HIGH PRESS.CPL. | REINIGUNGSMITTELVENTIL HOCHDRUCK KPL. VANNE DETERGENT HP CPL.PRPRESS. COMPLETE | 1 |
| 03 | 06110494 | SPÆNDEBAND, 10-12 RETAINING RING, 10-12 | SCHLAUCHSCHELLE 8- FRETTE | 5 |
| 04 | 06110493 | KEMISLANGE, 1/4"X350 MM DETERGENT HOSE, 1/4"X350 MM | REINIGUNGSM.SCHLAUCH F. HOCHD.RM. G-6000 TUYAU DETERGENTPRESSION GPRESSION G6000 | 1 |
| 05 | 06110540 | HØJTRYKSSLANGE, 750 HIGH PRESSURE HOSE, 750 | TUYAU AU HAUTE PRESSION | 1 |
| 06 | 06262009 | TILGANGSRØR, 6900 INLET PIPE, 6900 | TUYAU D'ENTRE, 6900 | 1 |
| 07 | 06181623 | | | 1 |
| 09 | 06030533 | HYDRAULISK VINKELFORSKRUNING, 3/8"X12 HYDR.SCREWED CONNECTION, ANGLE, 3/8"X12 | HYDR.VERSCHRAUBUNG,WINKEL 15-02/L12 TUYAU EN CUIVRE | 1 |
| 10 | 06180970 | AFSTANDSSTYKKE F.TOPSTYK DISTANCE NIPPLE, 22X65 | DISTANZSNIPPEL RACCORD SORTIE POMPE HP | 1 |
| 11A | 06120385 | USITRING, 24X16,7X1,5 USIT RING, 24X16,7X1,5 | USITRING JOINT D'ETANCHEITE G-4000 | 1 |
| 11A- | 06262026 | FLOWSTRYING KPL., 6900 FLOW CONTROL CPL., 6900 | GUIDE DE FLOW CPL., 6900 | 1 |
| 11B | 06261301 | KIT FOR TILGANGSSTUDS KIT FOR INLET SOCKET | KIT F. EINLASS-STUTZEN - HOCHDRUCK KIT RACCORD D'ENTREE HP | 1 |
| 11C+2 | 06260869 | FLOWSWITCH KOMPLET FLOW SWITCH CPL., 2000/6000/3000/MINIHOT | STROEMUNGSWAECHTER, KPL., G-2000/6000 CONTROLEUR DEBIT EAU (FLO | 1 |
| 11D | 06180960 | DRØVELVENTIL FOR FLOWST. THROTTLE VALVE FOR FLOW CONTROL, 11X11X18,8 | DROSSELVENTIL F. STROEMUNGSKONTROLLE SOUPAPE RENIFL.P.COND.FLO | 1 |
| 11E | 06180959 | HUS FOR DRØVLEVENTIL, FLOWST., 27X35 HOUSING FOR THROTTLE VALVE, FLOW, 27X35 | GEHAEUSE F. DROSSELVENTIL - STROEM.KONT. CORPS P.SOUP.RENIF.CON.FLTE CON. DE FLOW | 1 |
| 11F | 06120382 | O-RING, 20,00X2,00 N70 O-RING, 20,00X2,00 N70 | O-RING JOINT TORIQUE 20X2 G-5000 | 1 |
| 11G | 06030757 | FORSKRUNING, 3/8" SCREWED CONNECTION, 3/8" | HYDRAULIKVERSCHRAUBUNG KIT JOINT TUYAU CUIVRE + | 1 |
| 11H | 06211316 | TILGANGSSTUDS, KPL. INLET SOCKET, CPL. | RÜCKSCHLAGVENTIL KPL. SE 2615 CONTRE-VANNE=261538 | 1 |
| 11I | 06120385 | USITRING, 24X16,7X1,5 USIT RING, 24X16,7X1,5 | USITRING JOINT D'ETANCHEITE G-4000 | 1 |
| 12 | 06110432 | KEMISLANGE, 1/4"X1000 MM DETERGENT HOSE, 1/4"X1000 MM | REINIGUNGSMITTELSCHLAUCH, INNEN TUYAU 800MM P/G6000 | 1 |

Flowstrying / Water tank- Flowstrying / Stroemungskontrolle / Conduite de folw

6902A

| Pos. | Ref. no. | Betegnelse Description | Bezeichnung Description |
|------|----------|---|--|
| 15 | 06110471 | SPÆNDEBAND, 14-32 RETAINING RING, 14-32 | SCHLAUCHSCHELLE HS12 FRETTE |
| 16 | 06110631 | SLANGE, 3/4"X700 HOSE, 3/4"X700 | TUYAU |
| 22 | 06170121 | REED-KONTAKT REED-SWITCH | REED-SCHALTER CONTACT REED |
| 23 | 06261449 | UDLFTNINGSVENTIL KPL. BLEEDER VALVE CPL. | KIT F. ENTLUEFTUNGSZYLLINDERKOPF CLAPET DECHARGE P.AMORCAG-5000 |



Motor / Motor / Moteur

6902A

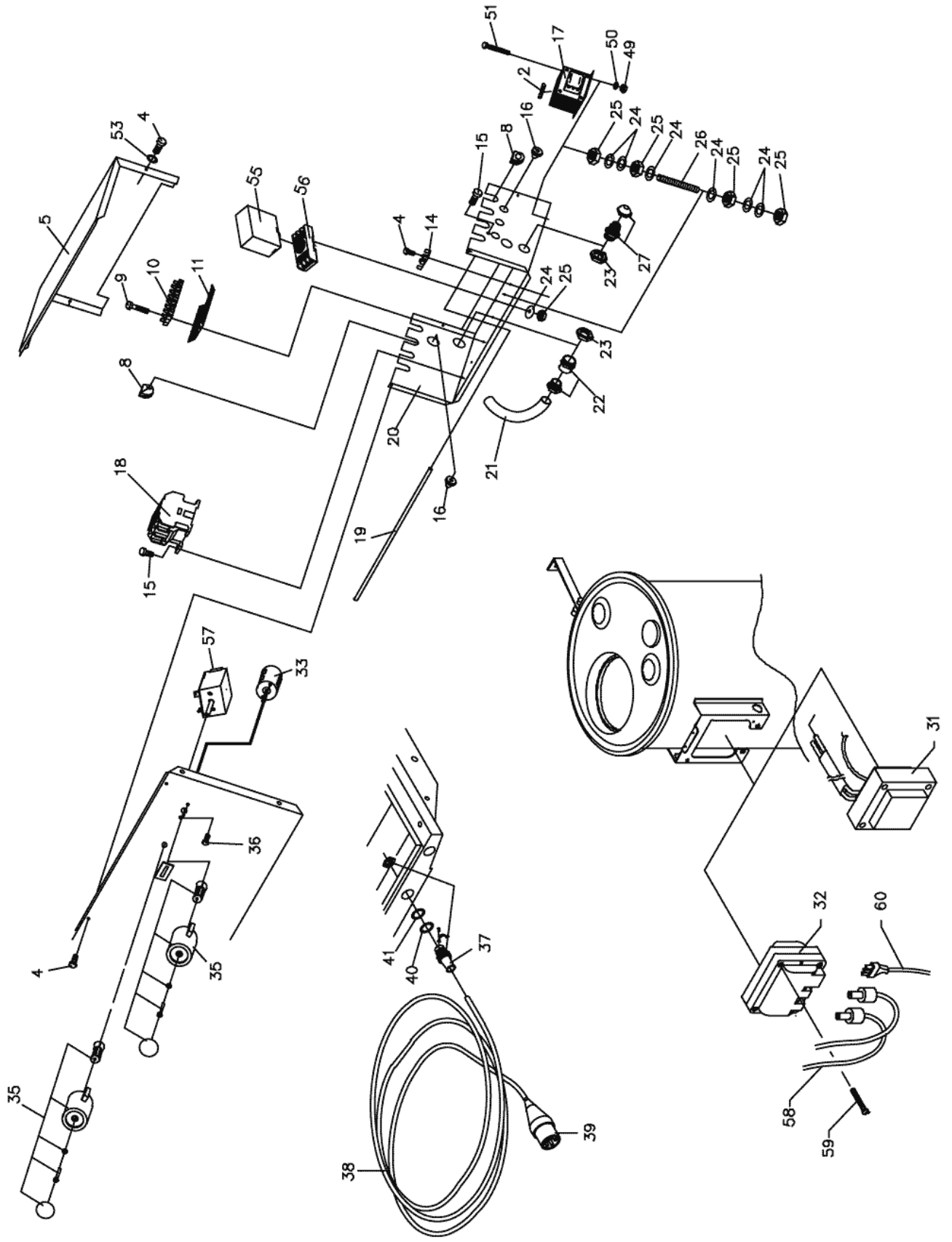
| Pos. | Ref. no. | Bezeichnung Description | 6902A |
|------|----------|--|-------|
| 0 | 06270422 | MOTOR KPL HEDT 3X400V50HZ MOTOR CPL., 3X230-415V 50HZ | 1 |
| 0 | 06270424 | | 1 |
| 01 | 06150142 | OLIEFÄYLDNINGSGLAS OIL FILLING GLASS | 1 |
| 02 | 06180757 | STEMPELSTYR, 600 PISTON GUIDE, 600 | 1 |
| 03 | 06070455 | UNBRACO SKRUE, M8X25 ALLEN SCREW, M8X25 | 2 |
| 04 | 06260897 | TRYKLEJEKIT PRESSURE BEARING KIT, G600 | 1 |
| 05 | 06180743 | SKRÅSKIVE, 7,11 CAM DISC, 7,11 | 1 |
| 05 | 06180746 | SKRÅSKIVE, 8,24 CAM DISC, 8,24 | 1 |
| 06 | 06260898 | SKRÅSKIVELEJEKIT CAM DISC BEARING KIT | 1 |
| 07 | 06260959 | OLIEFÄPNINGSPROP KPL., G100/G2000 DRAIN PLUG CPL., G100/G2000 | 1 |
| 08 | 06261037 | FJEDERKIT SPRING KIT | 1 |
| 09 | 06261430 | STEMPELKIT, KERAMIK 1 STK. PISTON KIT, CERAMIC 1 PCS. | 3 |
| 10 | 06270433 | ROTORAKSEL ROTOR AXLE | 1 |
| 10A | 06120310 | O-RING, 117X3 O-RING, 117X3 | 1 |
| 10B | 06181564 | LEJEFLANGE BERARING FLANGE | 1 |
| 10C | 06070746 | UNBRACO SKRUE, M8X35 ALLEN SCREW, M8X35 | 4 |
| 10D | 06120307 | SIMMERRING, 30X47X7 SEALING RING, 30X47X7 | 1 |
| 10E | 06140040 | KUGLELEJE, 8X7X35 BALL BEARING, 8X7X35 | 1 |
| 10F | 06280100 | FEDER, 8X7X35 KEY, 8X7X35 | 1 |
| 10G | 06270426 | | 1 |
| 10H | 06140008 | LEJE F. EL-MOTOR ROULEMENT P.MOTEUR EL. | 1 |
| 11 | 06280206 | | 2 |

Motor / Motor / Moteur

6902A

| Pos. | Ref. no. | Beegnelse Description | Bezeichnung Description | |
|------|----------|--|---|---|
| 12 | 06070011 | SKRUE, M8X30 SCREW, M8X30 | SETZSCHRAUBE, GALV. VISE E | 4 |
| 13 | 06080201 | SPÆNDESKIVE, M8 TENSION DISC. M8 | FEDERSKIBE, GALV. DISQUE | 4 |
| 14 | 06270432 | VENTILATOR M. LÅS FAN | AILETTE DE VENTILATEUR | 1 |
| 15 | 06070903 | UNBRACO SKRUE, M8X16 ALLEN SCREW, M8X16 | VIS A TETE CYLINDRIQUE, M8X16 | 4 |
| 16 | 06080004 | SPÆNDESKIVE, 8,4X17X1,6 TENSION DISC. 8,4X17X1,6 | FEDERSKIBE, GALV. RONDELLE | 4 |
| 17 | 06270430 | VENTILATORSKÆRM FAN COVER | PROTECTION DE VENTILATEUR | 1 |
| 18 | 06070167 | UNBRAKO-PINOLSKRUE, M8X10 ALLEN POINTED SCREW, M8X10 | IMBUSSREITSTOCKSCHRAUBE VIS PIVOT A TETE CYLINDRIQUE | 1 |
| 19 | 06130188 | KILEREMSKIVE, 140-1 V-BELT DISC. 140-1 | KEILRIEHMENSCHIBE POULIE | 1 |
| 20 | 06130193 | KILEREM V-BELT | KEILRIEMEN COURROIE TRAPEZOIDALE G 6 | 1 |
| 22 | 06270415 | MOTORFLANGE, B100 MOTOR FLANGE, B100 | BRIDE DE MOTEUR 4802 | 1 |
| 23 | 06070746 | UNBRACO SKRUE, M8X35 ALLEN SCREW, M8X35 | IMBUSSBOLZEN, GALV. BOULON A TETE CYLINDRIQUE | 4 |
| 24 | 06080038 | MØTRIK, M8 NUT, M8 | SELBSTSCHLIESSENDE MUTTER, GALV. ECROU | 4 |
| 25 | 06080004 | SPÆNDESKIVE, 8,4X17X1,6 TENSION DISC. 8,4X17X1,6 | FEDERSKIBE, GALV. RONDELLE | 4 |
| 26 | 06211724 | | | 1 |
| 27 | 06160765 | KABELGENNEMFØRING, 3X1,5 MM2 CABLE GROMMET, 3X1,5 MM2 | KABELDURCHFUEHRUNG PRESSE ETOUPE MOTEUR 6000 | 1 |
| 28 | 06070491 | SKRUE, 5X12 SCREW, 5X12 | TAP TITE P/K VIS | 2 |
| 29 | 06061511 | | | 1 |
| 30 | 06160117 | KONTRAMØTRIK, M16 COUNTER NUT, M16 | GEGENMUTTER CONTRE-ECROU | 1 |
| 31 | 06120585 | PAKNING FOR MOTOR G602A GASKET FOR MOTOR | DICHTUNG F. MOTOR JOINT DE MOTEUR | 1 |

El-komponenter / Electric components / Elektrische Komponente / Composantes électrique



El-komponenter / Electric components / Elektrische Komponente / Composantes électrique

6902A

| Pos. | Ref. no. | Betegnelse Description | Bezeichnung Description |
|------|----------|--|---|
| 02 | 06160067 | FINSIKRING, 2 AMP. FUSE, 2 AMP. | SICHERUNG 2 AMP. 4792120207 FUSIBLE |
| 04 | 06070355 | SELVSKÆRENDE SKRUE, 3,5X9,5 SELF-TAPPING SCREW, 3,5X9,5 | SELBSTSCHR. SCHRAUBE VIS CONIQUE |
| 05 | 06061005 | LAG FOR EL-BOX, 1X294X329 COVER FOR ELECTRIC BOX, 1X294X329 | DECKEL F. ELEKTRO-SCHALTKASTEN, GALV. COUVERC. P. BOITE ELECTRIQ. TRIQUE GALV. |
| 08 | 06120320 | KABELGENNEMFØRING, Ø25X11 CABLE GROMMET, Ø25X11 | KABELDURCHFUEHRUNG F. ELEKTRO-SCHALTK. TRAVERSEE DE CABLETE ELECTE ELECTRIQUE |
| 09 | 06070757 | SKRUE, M3,5X16 SCREW, M3,5X16 | SELFSCHNEIDENDE SCHRAUBE, P/K VIS INDESSERABLE |
| 10 | 06160755 | KRONEMUFFE, Ø4,2X12 CROWN SOCKET, Ø4,2X12 | KRONENMUFFE MANCHON A CRENEAUX |
| 11 | 06160764 | UNDERLAGSPLADE WASHER | UNTERLAGSSCHEIBE PLAQUE DE SUPPORT |
| 14 | 06160822 | FLADSTIKFORDELER, 6,3 MM G6000 FLAT PLUG DISTRIBUTOR, 6,3 MM G6000 | FLACHSTECHEVERTEILER DISTRIBUTEUR DE PRISE DE COURANT |
| 15 | 06070508 | SELVSKÆRENDE SKRUE, 3,9X13 SELF-TAPPING SCREW, 3,9X13 | SELBSTSCHNEIDENDE SCHRAUBE VIS |
| 16 | 06120111 | PAKDASE, C 5-7 STUFFING BOX, C 5-7 | STOPFBUCHESE PRESSE-ETOUPE CAOUCHOUC |
| 17 | 06160065 | TRANSFORMER, 400V/24V TRANSFORMER, 400V/24V | TRANSFORMATOR LUEBCKE TRANSFORMATEUR |
| 17 | 06160697 | TRANSFORMER, 415V/24/15V 50HZ TRANSFORMER, 415V/24/15V 50HZ | TRANSFORMATOR ELEKTRODYN M/SICHER. TRANSFORMATEUR ELECTRODY. A/FUSIBLE |
| 17 | 06170033 | TRANSFORMER MED SIKRING, 230V/24V 50HZ TRANSFORMER W. FUSE, 230V/24V 50HZ | TRANSFORMATOR M. SICHERUNG TRANSFORMATEUR |
| 18 | 06160265 | KONTAKTOR, 3X200-230V 50 HZ CONTACTOR, 3X200-230V 50 HZ | SCHUETZ DANFOSS CONTACTEUR = REF 06161077 |
| 18 | 06160853 | KONTAKTOR CI15 400V-50HZ CONTACTOR, 15/16A 3X400-440V 50 HZ | SCHUETZ CONTACTEUR 380V-CI15-50HZ |
| 19 | 06050821 | RØR FOR LEDNINGER, Ø6X1X325 PIPE FOR CABLES, Ø6X1X325 | ROHR F. LEITUNGEN TUYAU POUR CABLES |
| 20 | 06061004 | ELKASSE, 1X198X605 ELECTRIC BOX, 1X198X605 | ELEKTRO-SCHALTKASTEN, GALV. BOITE ELECTRIQUE GALV. |
| 21 | 06160766 | FLEX FOR LEDNINGER, 14X18X310 PLASTIC TUBING FOR CABLES, 14X18X310 | PLASTIKFLEX F. LEITUNGEN FLEX POUR CABLES |
| 22 | 06160765 | KABELGENNEMFØRING, 3X1,5 MM2 CABLE GROMMET, 3X1,5 MM2 | KABELDURCHFUEHRUNG PRESSE ETOUPE MOTEUR 6000 |
| 23 | 06160117 | KONTRAMØTRIK, M16 COUNTER NUT, M16 | GEGENMUTTER CONTRE-ECROU |
| 24 | 06080046 | STJERNESKIVE, M4 TOOTH LOCK WASHER, M4 | STERNSCHEIBE, GALV. RONDELLE |
| 25 | 06080056 | MØTRIK, M4 NUT, M4 | MUTTER, GALV. ECROU |

El-komponenter / Electric components / Elektrische Komponente / Composantes électrique

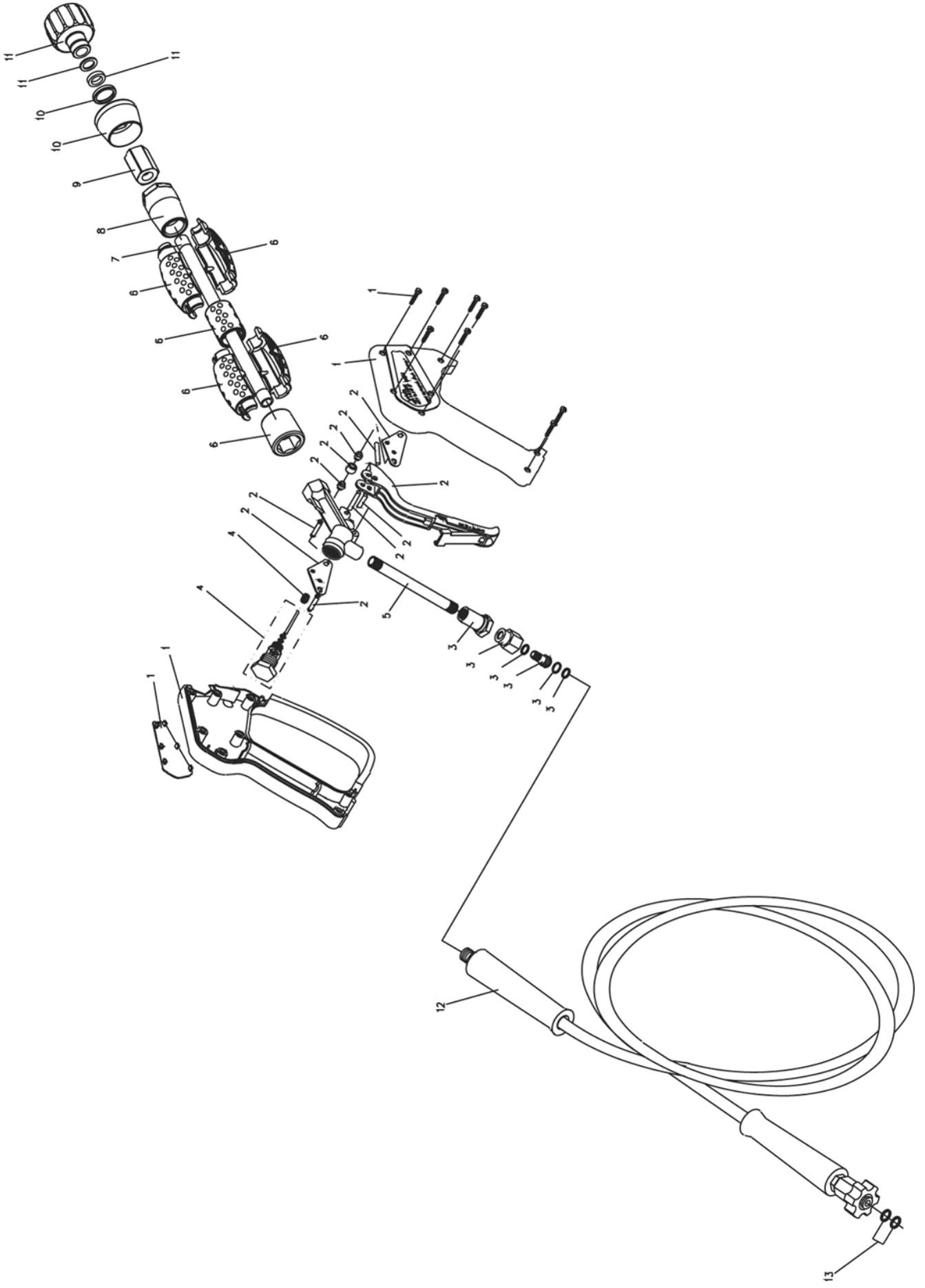
6902A

| Pos. | Ref. no. | Betegnelse Description | Bezeichnung Description | |
|------|----------|---|---|---|
| 26 | 06070758 | PINOLSKRUE, RUSTFRI | REITSTOCKSCHRAUBE, ROSTFREI VIS PIVOT | 1 |
| 27 | 06160112 | KABELGENNEMFØRING CABLE GROMMET | KABELDURCHFUEHRUNG TRAVERSEE DE CABLE | 1 |
| 31 | 06230366 | TÆNDTRANSFORMER, 230/400V IGNITION TRANSFORMER, 230/400V | TRANSFORMATEUR ALLUM.230V | 1 |
| 31 | 06230374 | TÆNDTRANSFORMER, 200V IGNITION TRANSFORMER, 200V | TRANSFORMATEUR ALLUMAGE, 200V | 1 |
| 31 | 06261526 | TÆNDTRANSFORMER, 230/400/415 IGNITION TRANSFORMER, 230/400/415 | ZUENDTRANSFORMER TRANSFORMATEUR ALLUMAGE | 1 |
| 31 | 06261605 | TÆNDTRANSFORMER, 200V IGNITION TRANSFORMER, 200V | ZÜNDTRANSFORMER TRANSFORMATEUR D'ALLUMAGE | 1 |
| 32 | 06230376 | TÆNDTRAFØ 2X5KV 200V IGNITION TRANF. 2X5KV 200V | ZUENDTRANSFORM.2X5KV 200V TRANSFORM.DIALLUMAGE 200V | 1 |
| 32 | 06230377 | TÆNDTRAFØ 2X5KV 230V IGNITION TRANF. 2X5KV 230V | ZUENDTRANSFORM.2X5KV 230V TRANSFORM.DIALLUMAGE 230V | 1 |
| 32 | 06230378 | TÆNDTRAFØ 2X5KV 400V IGNITION TRANF. 2X5KV 400V | ZUENDTRANSFORM.2X5KV 400V TRANSFORM.ALLUMAGE 400V | 1 |
| 32 | 06230379 | TÆNDTRAFØ 2X5KV 415V IGNITION TRANF. 2X5KV 415V | ZUENDTRANSFORM.2X5KV 415V TRANSFORM.DIALLUMAGE 415V | 1 |
| 33 | 06160468 | OMSKIFTER KOMPLET, SE 16-0675 SWITCH CPL., SE 16-0675 | SCHALTER INTER REMPL.P/1 ETAG OU 2 | 1 |
| 35 | 06260724 | PLASTKNAPKIT BUTTON KIT, PLASTIC | KNOPFKIT, PLASTIK KIT BOUCHON PLASTIC (R.06) | 2 |
| 36 | 06070471 | SELVSKÆRENDE SKRUE, 3.5X13 SELF-TAPPING SCREW, 3.5X13 | SELBSTSCHNEIDENDE SCHRAUBE, P/K VIS CONIQUE TL | 1 |
| 37 | 06261857 | KABELGENNEMFØRINGSKIT, 3/4X1.5 CABLE GROMMET KIT, 3/4X1.5 | KABELDURCHFØHRUNGSKIT KIT DE TRAVERSEE DE CABLE | 1 |
| 37 | 06261858 | KABELGENNEMFØRINGSKIT, 3/4X2.5 CABLE GROMMET KIT, 3/4X2.5 | KABELDURCHFØHRUNG KIT KIT DE TRAVERSEE DE CABLE, 3/4X2,5 | 1 |
| 37 | 06261859 | KABELGENNEMFØRINGSKIT, 3/4X4.0 CABLE GROMMET KIT, 3/4X4.0 | KIT DE TRAVERSEE DE CABLE, 3/4X4,0 | 1 |
| 38 | 06160708 | TILGANGSKABEL GUMMI, 4X1.5X10000 INLET CABLE RUBBER, 4X1.5X10000 | HAUPTKABEL GUMMI CABLE ALIMENTATION 10M | 1 |
| 38 | 06160709 | TILGANGSKABEL GUMMI, 4X2.5X10000 INLET CABLE RUBBER, 4X2.5X10000 | HAUPTKABEL GUMMI CABLE PRINCIPAL EN CAOUTCHOUC | 1 |
| 38 | 06160841 | TILGANGSKABEL GUMMI, 4X4.0X8000 INLET CABLE RUBBER, 4X4.0X8000 | EINLASSKABEL GUMMI CABLE ELECTRIQUE PR G 880HOU | 1 |
| 39 | 06160399 | CEE INDUSTRISTRISTIK 5POL.16A "AUS" PLUG, 10 A | ELEKTROSTECKER CT 516/6H 5-POLIG *N*S*SF PRISE ELECTRIQUE CT 516/6H 5 POLAI. | 1 |
| 40 | 06080208 | STJERNESKIVE, M20 TOOTH LOCK WASHER, M20 | STERNSCHEIBE GALV. RONDELLE A DENTS GALV. TYPE I M20 | 1 |
| 41 | 06080181 | SKIVE, 26X21X.08 WASHER, 26X21X.08 | SCHIBE 52010220 DISQUE | 1 |

EI-komponenter / Electric components / Elektrische Komponente / Composantes électrique

6902A

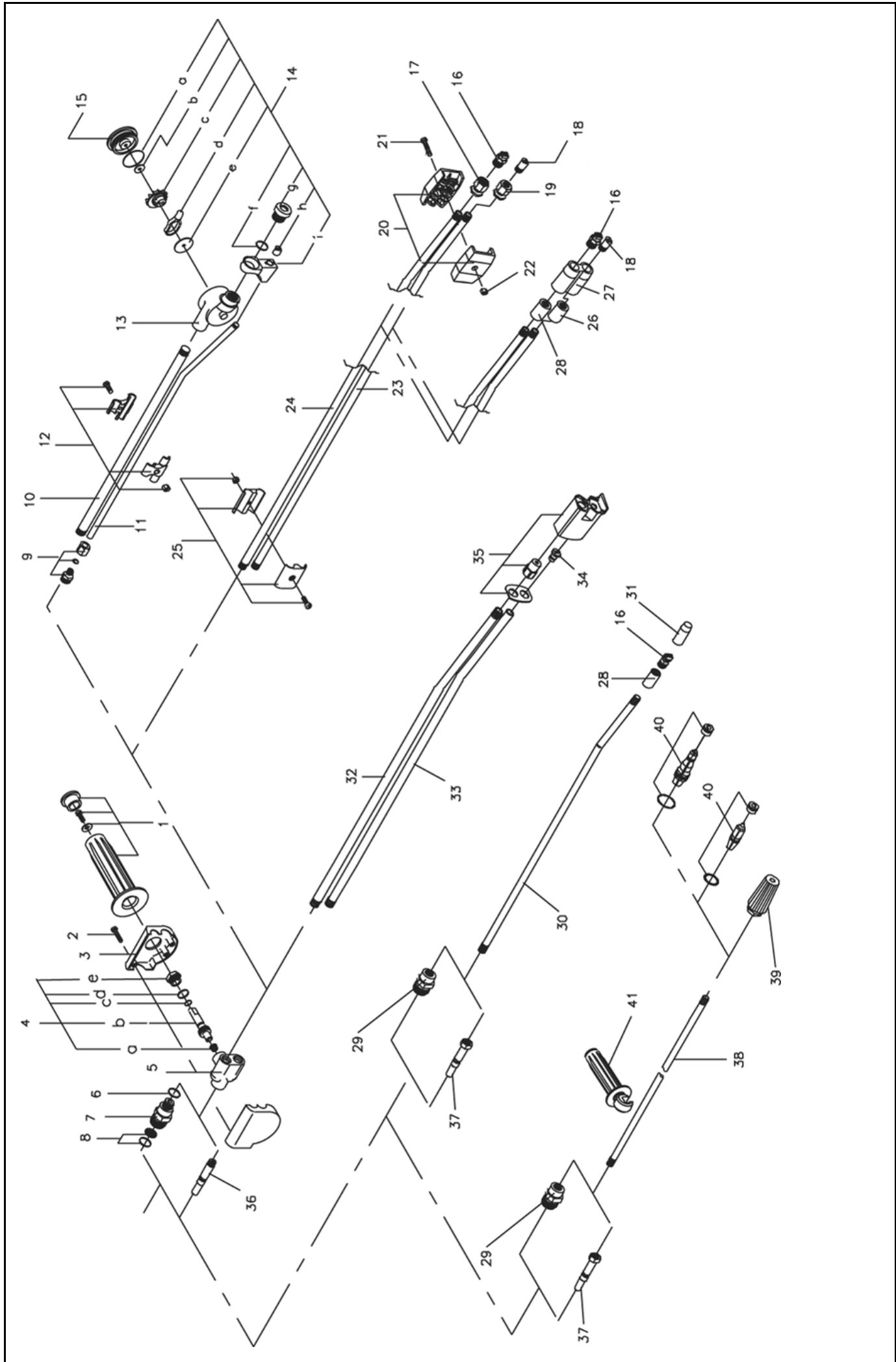
| Pos. | Ref. no. | Betegnelse Description | Bezeichnung Description | |
|------|----------|---|---|---|
| 49 | 06080055 | MØTRIK, M3 NUT, M3 | MUTTER GALV. ECROU GALVANISE | 1 |
| 50 | 06080158 | STJERNESKIVE, M3 TOOTH LOCK WASHER, M3 | STERNSCHEIBE TYP I M3 RONDELLE A DENTS TYPE I M3 | 1 |
| 51 | 06070760 | SKRUE P/H M3X55 | SCHRAUBE P/H M3X55 VIS | 1 |
| 52 | 06160840 | SIKRINGSHOLDER HOLDER FOR FUSE | SICHERUNGSHALTER M. VORSATZGERAET/KAPPE PORTE-FUSIBLE A/ADAPTEUR+COLLIER | 1 |
| 53 | 06080108 | SKIVE, M4 WASHER, M4 | SCHEIBE, GALV. DISQUE GALV. | 1 |
| 55 | 06170173 | EL-STYRING FOR FLAMMEKONTROL , G25/2800 ELECTRIC CONTROL FOR FLAME CONTROL, G25/2800 | ELEKTRISCHE STEUERUNG STROEMUNG+FLAMMKT. CONTROLE ELECTRIQUEMME MME | 1 |
| 56 | 06160691 | SOKKEL, 11 P BASE, 11 P | SOCKEL F/RADIOEMPFAENGER SOCLE POUR RECEPTEUR | 1 |
| 57 | 06170207 | TERMOSTAT, 30-130°C THERMOSTAT, 30-130°C | THERMOSTAT ATEA TC3034 THERMOSTAT | 1 |
| 58 | 06161037 | TÆNDKABEL, 700 MM IGNITION CABLE, 700 MM | CABLE D ALLUMAGE 2300/250 | 2 |
| 59 | 06070809 | SKRUE, 4X40 SCREW, 4X40 | SCHRAUBE VIS | 2 |
| 60 | 06161078 | LEDNING M/STIK 950MM CABLE F. IGNITION, 950 MM | KABEL F.ZUNDETRAFO 950MM CABLE D'ENTREE 950MM | 1 |



Pistol / Pistol / Pistole / Pistolet

6902A

| Pos. | Ref. no. | Betegnels Description | Bezeichnung Description | |
|------|----------|--|---|---|
| 0 | 06290111 | PISTOL - EGT 2600 - LANG MED SWIVEL, LYNKOBLING PISTOL - EGT 2600 - LONG W. SWIVEL, QUICK COUP. | PISTOLET EGT2600 RAC.RAPI | 1 |
| 0 | 06290121 | O-RINGSKIT FOR PISTOL O-RING KIT FOR PISTOL | JOINT A LEVRE .P/290111 | 1 |
| 01 | 06290119 | PISTOLKROP KPL. PISTOL HOUSING CPL. | CORPS PISTOLET 290111 | 1 |
| 02 | 06290120 | AFTRÆKKER KIT PULLER KIT | KIT DETENTE P/PIST.290111 | 1 |
| 03 | 06290122 | DREJELED, KPL. SWIVEL, CPL. | JOINT TOURN.P/PIST.290111 | 1 |
| 04 | 06290123 | VENTIL KPL. VALVE CPL. | VANNE P/PISTOLET 290111 | 1 |
| 05 | 06290124 | TILGANGSRØR INLET PIPE | TUYAU D'ENTREE P/290111 | 1 |
| 06 | 06290125 | KAPPEKIT CAP KIT | PROTECTION P/290111 | 1 |
| 07 | 06290126 | FØRRØR FOR PISTOL FRONT PIPE FOR PISTOL | TUBE AVANT P/PISTOL.290111 | 1 |
| 08 | 06290127 | AFSTANDSSTYKKE DISTANCE PIECE | ENTRETOISE P/PISTOL290111 | 1 |
| 09 | 06290128 | MUFFE SOCKET | MANCHON P/PISTOL 290111 | 1 |
| 10 | 06290129 | AFSTANDSSTYKKE DISTANCE PIECE | ENTRETOISE P/PISTOL290111 | 1 |
| 11 | 06290130 | LYNKOBLING KPL. QUICK COUPLING CPL. | RACCORD RAPID.PIST.290111 | 1 |
| 12 | 06110476 | HØJTRYKSSLANGE, DN8X8M HIGH PRESSURE HOSE, DN8X8M | HØCHDRUCKSCHLAUCH M. SCHRAUBENKUPPLUNGEN FLEXIBLE HP 8 M AVEC RV | 1 |
| 13 | 06260936 | PAKNINGSKIT F. SKRUEKOB. GASKET KIT FOR SCREW COUPLING | DICHTUNGSKIT F. SCHRAUBENKUPPLUNG KIT JOINT RACCORD VIS | 1 |



Lanser / Lances / Lanzen / Lances

| Pos. | Ref. no. | Betegnelse Description | Bezeichnung Description | 6902A |
|------|----------|--|---|-------|
| 01 | 06260232 | HANDTAGSKIT F. SPULERØR HANDLE KIT | HANDGRIFFKIT F. DOPPELLANZE KIT REPAR./POIGNÉE LANCE | 1 |
| 02 | 06070479 | SKRUE, 4X20 SCREW, 4X20 | SCHNEIDSCHRAUBE, SCHWARZZINK VIS | 3 |
| 03 | 06200097 | PYNTEDÆKSEL F. VENTILHUS COVER F. VALVE HOUSING | STaubKAPPE F. VENTILGEHAE COUVERCLEOR. D. VAN OR. D. VAN | 1 |
| 04 | 06260860 | VENTILSPINDEL KIT VALVE SPINDLE KIT | VENTILSPINDELKIT F. DRUCKREGELUNG KIT REGLAGE PRESSION DOUB | 1 |
| 04C | 06120006 | O-RING, 6.75X1.78 O-RING, 6.75X1.78 | O-RING JOINT TORIQUE MAT 4470 | 1 |
| 04D | 06120010 | O-RING, 13.1X1.6 O-RING, 13.1X1.6 | O-RING JOINT TORIQUE MAT 4470 | 1 |
| 04E | 06190245 | MØTRIK NUT | MUTTER F. VENTIL ECROU POUR VANNE DOUB.LAN | 1 |
| 05 | 06211078 | VENTILHUS VALVE HOUSING | VENTILGEHAEUSE, KPL. CULASSE LANCE DOUBLE ET | 1 |
| 06 | 06120188 | O-RING, 10X2 O-RING, 10X2 | O-RING JOINT TORIQUE | 1 |
| 07 | 06030484 | SKRUEKOBLING 1/4 UD.V. SCREW COUPLING ROTATABLE, 1/4" | SCHR.KUPPLUNG DREHBAR F.DOPPELLANZE ACCOUPL. VIS TOURNANT DBL LANCE DOUBLE | 1 |
| 08 | 06100332 | FILTER FOR TURBO LASER FILTER FOR TURBO LASER | FILTER F. TURBO LASER M. O-RING FILTRE TURBO LASER | 1 |
| 08A | 06120139 | O-RING, 10X1 O-RING, 10X1 | O-RING JOINT SPY JET | 1 |
| 09 | 06030527 | BRYSTNIPPEL, 8X1/4" BREAST NIPPLE, 8X1/4" | GEWINDESTUECK RACCORD | 1 |
| 0A | 06261413 | TURBO LASER, 600 MM TURBO LASER, 600 MM | TURBO LASER 600 MM TURBO LASER 600 MM | 1 |
| 0A | 06262076 | TURBO-LASER 600MM QUICK TURBO LASER W. QUICK COUPLING, CPL., 600 MM | TURBO-LASER 600MM RAPIDE | 1 |
| 0B | 06260758 | DOBBELT SPULERØR 600MM EXCL.TRYKDYSE DOUBLE LANCE - PRES. REG.- SCREW -600 MM, | DOPPELLANZE DOUBLE LANCE 600MM | 1 |
| 0B | 06262063 | DOBB.SPULERØR 600MM QUICK DOUBLE LANCE - PRES. REG.- QUICK -600 MM, | LANCE DOUBLE RAPIDE, 600M | 1 |
| 0C | 06260382 | ENKELT SPULERØR 600 MM SINGLE LANCE - SCREW - 600 MM, EXCL.NOZ | EINZELLANZE LANCE SIMPLE 600 MM | 1 |
| 0C | 06262059 | ENK.SPULERØR 600MM QUICK SINGLE LANCE - QUICK - 600 MM, EXCL.NOZ | LANCE SIMPLE RAPIDE, 600M | 1 |
| 0D | 06261957 | SPECTRUM 600MM U/TRYKDYSE SPECTRUM W. PRES. REG. - SCREW - 600 MM, | SPECTRUM OHNE DÜSE - 600 MM SPECTRUM SANS GICLEUR - 600 MM | 1 |
| 0D | 06261990 | SPECTRUM M/ TRYKREG. - SKRUE - 600 MM, 150 SPECTRUM W. PRES. REG. - SCREW - 650 MM, 150 | SPECTRUM DÜSE LANCE SPECTRUM | 1 |
| 0D | 06262093 | SPECTRUM M/ TRYKREG. - LYN - 600 MM, 150 SPECTRUM W. PRES. REG. - QUICK - 600 MM, 150 | LANCE SPECTRUM 600/150MM | 1 |

Lanser / Lances / Lanzen / Lances

6902A

| Pos. | Ref. no. | Betegnelse Description | Bezeichnung Description |
|------|----------|--|---|
| 0D | 06262253 | SPECTRUM 600 U.DYSE QUICK SPECTRUM W. PRES. REG. - QUICK - 600 MM, | LANCE SPECTRUM R.R-S/GICL |
| 0E | 06262113 | ROTO JET W/ SKRUE - 600 MM, 5.0 ROTO JET - SCREW - 600 MM, 5.0 | LANCE ROTO JET 050 |
| 0E | 06262124 | ROTO JET W/ LYN - 600 MM, 5.0 ROTO JET - QUICK - 600 MM, 5.0 | LANCE ROTO JET RAPIDE 050 |
| 10 | 06050841 | SPULERØR LIGE, Ø13X1,5X586 LANCE STRAIGHT, Ø13X1,5X586 | LANZE GERADE TURBO LASER LANCE DROITE TURBO LASER |
| 11 | 06050842 | KEMIRØR 15 GR. BUK , Ø8X1X622 DETERGENT PIPE 15 DEG., Ø8X1X622 | REI.MITTLERØHR 15 GR. VERB. F. T. L. TUYAU POUR LANCESER, 15 DSER, 15 DEGRES |
| 12 | 06261130 | BESLAG FOR TURBO LASER FITTINGS FOR TURBO LASER | BESCHLAG F. TURBO LASER ROHR ARMATURE POUR TURBO LASER TUYAU |
| 13 | 06261288 | TURBO LASER HUS , Ø3,6 MIN 720 L TURBO LASER HOUSING, Ø3,6 MIN 720 L | GEHAEUSE F. TURBO LASER CORPS P.TURBO LASER 3.6 |
| 14 | 06261151 | TURBO LASER KIT, 6.5 TURBO LASER KIT, 6.5 | SERVICEKIT F. TURBO LASER KIT REPARAT.TURBO LASER |
| 14A | 06120544 | O-RING, 36.0X1,78 O-RING, 36.0X1,78 | JOINT TORIQUE |
| 14F | 06120282 | O-RING, 14X1,78 O-RING, 14X1,78 | O-RING JOINT TORIQUE 14 X 1,78 |
| 14H | 06180533 | DYSE, Ø10X12 NOZZLE, Ø10X12 | DUESE GICLEUR DIA. 10X12 |
| 15 | 06180936 | LÅG FOR TURBO LASER COVER FOR TURBO LASER | DECKEL F. TURBO LASER, BEARBEITET COUVER.P.TURBO LASER |
| 16 | 06090140 | DYSE HÆRDET 1/4-1505 FLAT JET NOZZLE 15°, 5 | FLACHSTRAHLDUESE 15° GICLEUR DURCI 1/4MEG 1505 |
| 17 | 06180780 | DYSEHOLDER, 17X20 NOZZLE HOLDER, 17X20 | DUESENHALTER F/HOCHDRUCKDUESE SUPPORT DE GICLEUR H.P.EUEUR H.P. |
| 18 | 06180779 | KEMIDYSE, Ø10X22 DETERGENT NOZZLE, Ø10X22 | REINIGUNGSMITTELDUESE GICLEUR DETERGENT |
| 19 | 06180781 | DYSEHOLDER FOR KEMI, 17X20 NOZZLE HOLDER FOR DETERGENTS, 17X20 | DUESENHALTER F/REINIGUNGSMITTEL SUPPORT DE GICLEUR DETERGENT |
| 20 | 06200226 | DYSEBESKYTTER NOZZLE PROTECTION, PLASTIC | DUESENSCHUTZ KUNSTSTOFF PROTECTION GICLEUR PLASTI PLASTIQUE |
| 21 | 06070497 | SKRUE, 5X22 SCREW, 5X22 | SCHRAUBE, ROSTFREI, Z/K VIS C/H INOX |
| 22 | 06080123 | MØTRIK, M5 NUT, M5 | MUTTER, ROSTFREI RONDELLE |
| 23 | 06050941 | KEMI-RØR, RUSTFRI, Ø13X1,5X591 DETERGENT PIPE, STAINLESS, Ø13X1,5X591 | DOPPELLANZE TUBE DE LANCE BP |
| 24 | 06050940 | SPULERØR, RUSTFRI, Ø13X1,5X596 LANCE, STAINLESS, Ø13X1,5X596 | DOPPELLANZE TUBE DE LANCE HP |
| 25 | 06260537 | BESLAG F. DOBB. SPULERØR FITTINGS FOR DOUBLE LANCE | BESCHLAG F/DOPPELLANZE TURBO ENTRETOISE LANCE TURBOE TE TURBO |

Lanser / Lances / Lanzen / Lances

| Pos. | Ref. no. | Betegnelse Description | Bezeichnung Description | 6902A |
|------|----------|--|---|-------|
| 26 | 06181232 | DYSEHOLDER FOR KEMI, Ø18X26 NOZZLE HOLDER FOR DETERGENTS, Ø18X26 | DUESEHALTER F. REINIGUNGSMITTELDUESE SUPPORT GICLEUR POUR DETER DE DETERGENT | 1 |
| 27 | 06200374 | DYSESKYTTER DOBBELT NOZZLE PROTECTION, PLASTIC, DOBBLE | DUESESCHUTZ - DOBBELT PROTECT.PLAST.GICLEUR LAN | 1 |
| 28 | 06030643 | MUFFE FOR SPULERØR, Ø10 SOCKET FOR LANCE, Ø10 | MUFFE F. LANZE MANCHON POUR LANCE INOX | 1 |
| 28 | 06181233 | DYSEHOLDER , Ø18X26 NOZZLE HOLDER , Ø18X26 | DUESEHALTER F. HOCHDRUCKSDUESE SUPPORT GICLEUR HAUTE PRE | 1 |
| 29 | 06030485 | SKRUEKOBLING, 1/4" INDV. SCREW COUPLING, 1/4" | SCHRAUBENKUPPLUNG, NICHT DREHBAR ACCOUPL. VIS 1/4 INT.NT NT | 1 |
| 30 | 06050116 | SPULERØR, RUSTFRI, Ø13X586 LANCE, STAINLESS, Ø13X586 | LANZE, ROSTFREI LANCE INOX DIAM. 13X586 | 1 |
| 31 | 06200375 | DYSESKYTTER ENKELT NOZZLE PROTECTION, PLASTIC, SINGLE | DUESESCHUTZ PROTECT.PLAST.GICLEUR LAN | 1 |
| 35 | 06261968 | SPECTRUM KIT, 150 SPECTRUM KIT, 150 | SPECTRUM KIT KIT SPECTRUM 690/6900 | 1 |
| 36 | 06030649 | LYNKOBLING 1/4 UDV. QUICK COUPLING, 1/4" | SCHNELLKUPPLUNG RACCORD RAPIDE | 1 |
| 37 | 06030827 | NIPPEL QUICK-1/4" INDV. NIPPLE, 1/4" | RACCORD RAPIDE 1/4" INTER | 1 |
| 38 | 06050841 | SPULERØR LIGE, Ø13X1,5X586 LANCE STRAIGHT, Ø13X1,5X586 | LANZE GERADE TURBO LASER LANCE DROITE TURBO LASER | 1 |
| 39 | 06262139 | ROTO JET DYSE KPL., 7.0 ROTO JET NOZZLE CPL., 7.0 | GICLEUR ROTO CPL. 7.0 | 1 |
| 40 | 06262224 | ROTO DYSE KIT, 5.0 ROTO JET NOZZLE KIT, 5.0 | KIT POUR GICLEUR ROTO 050 | 1 |
| 41 | 06260365 | HANDGREB TIL ROT. BØRSTER OG ENKELT LANSEØR, HANDLE FOR ROTATING BRUSHES AND SINGLE | HANDGRIFF POIGNEE DE MAINTIEN LANCE | 1 |