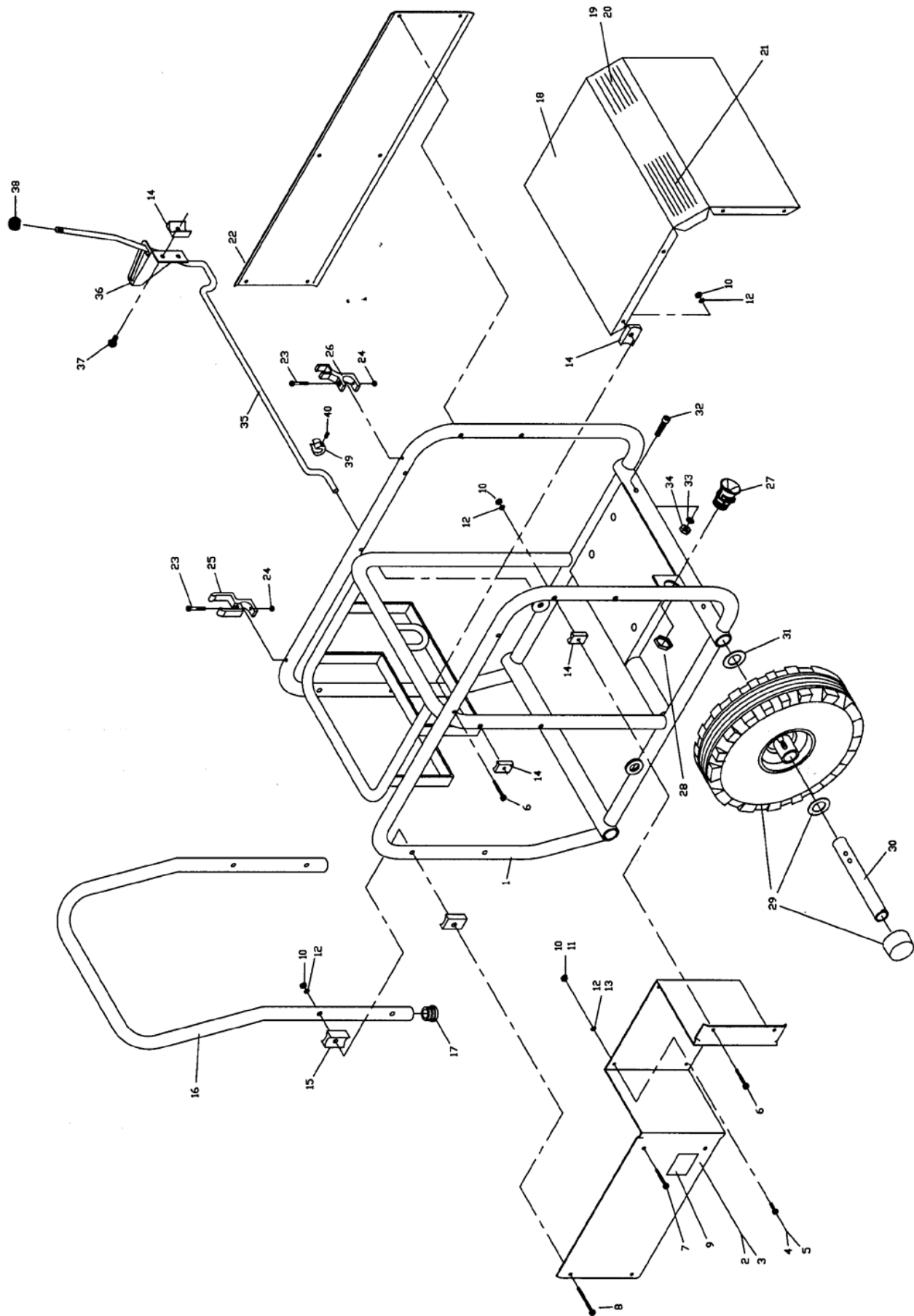

N/G-830 A

Reservedelsliste
Spare parts list
Ersatzteilliste
Liste de pièces détachées

Ramme mask. no. >100405003398 / Frame machin no. >100405003614 / Rahmen / Cadre mach. i	2
Ramme mask. no. <100405003397 / Frame machin no. <100405003613 / Rahmen / Cadre mach. i	5
Motor / Motor / Motor / Moteur	8
Pumpe / Pump / Pumpe / Pomp	11
EI-komponenter mask. no <100405003397 / Electric components machin no. <100405003614 / Ele	14
EI-komponenter mask. no. >100405003398 / Electric components machin no. >100405003613 / E	17
Pistol / Pistol / Pistole / Pistolet	19
Pistol / Pistol / Pistole / Pistolet	21
Spulerør / Lances / Lanzen / Lance	23



Ramme mask. no. >100405003398 / Frame machin no. >100405003614 / Rahmen / Cadre mach. no. <100405003398

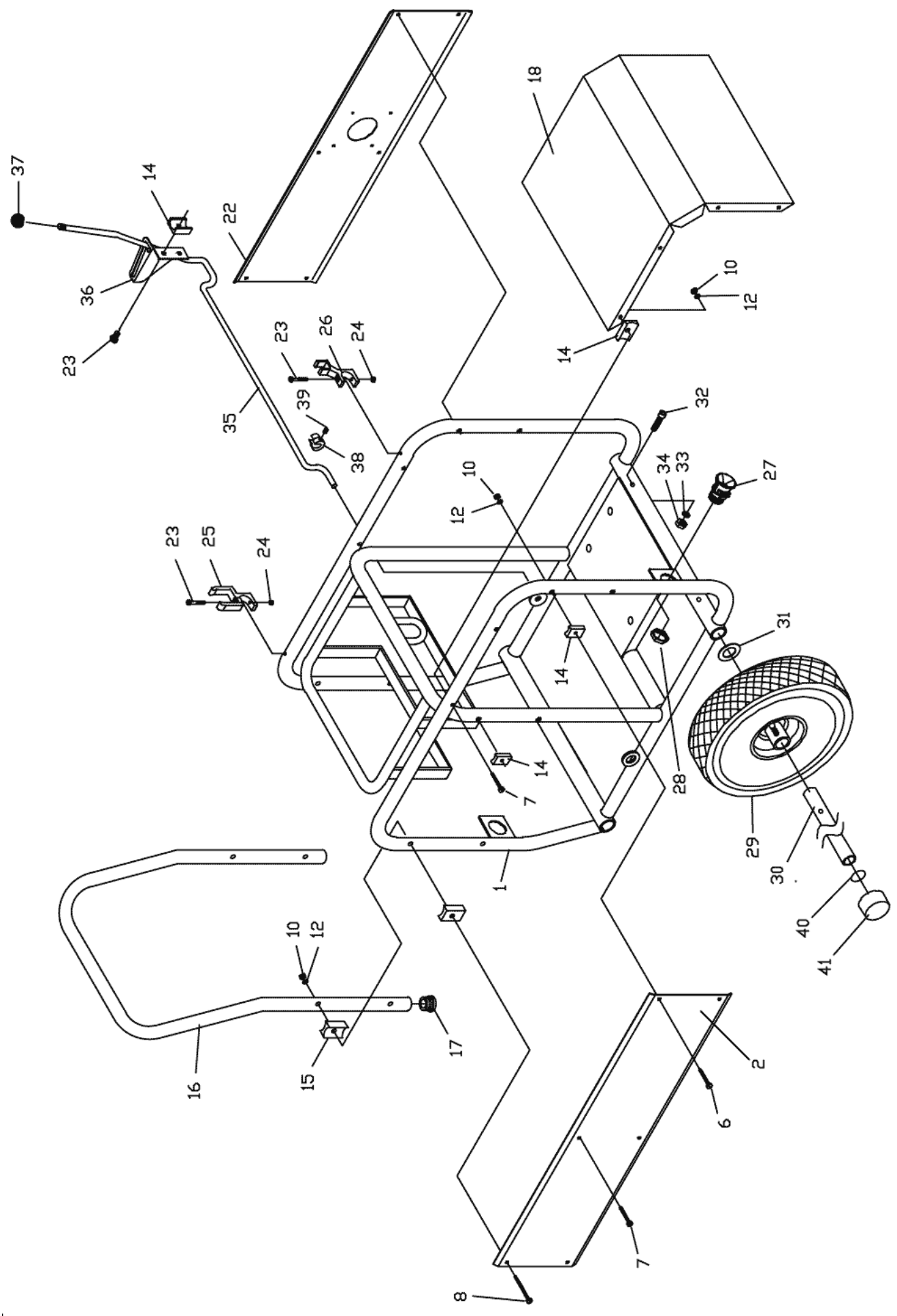
830 A

Pos.	Ref. no.	Betegnelse Description	Bezeichnung Description	
01	06211704	RAMME, G800 FRAME, G800	RAHMEN G800 CADRE, G800	1
02	06061439	SIDEPLADE GRØN SIDE PLATE GREEN	PLAQUE DE COTE VERT	1
04	06070093	SKRUE, M6X16 SCREW, M6X16	IMBUSSCHRAUBE BOULON A TETE CYLINDRIQUE	4
06	06070882	SKRUE, M6X45 SCREW, M6X45	VIS, M6X45	8
07	06070884	SKRUE, M4X40 SCREW, M4X40	VIS, M4X40	4
08	06070881	SKRUE, M6X70 SCREW, M6X70	VIS, M6X70	4
09	06301619	TRANSFER "ADVARSEL" TRANSFERS "WARNING"	TRANSFERS WAHRNUNG AUTOCOL."AVERTISSEMENT"	1
10	06080062	MØTRIK, M6 NUT, M6	SELBSTSCHLIESSENDE MUTTER, GALV. ECROU INDESERRABLE LAITON	16
11	06080168	MØTRIK, M4 NUT, M4	SELBSTSCHLIESSENDE MUTTER ECROU INDESERRABLE	2
12	06080016	SPÆNDESKIVE, 6 MM TENSION DISC, 6 MM	FEDERSKEIBE, GALV. RONDELLE DE SERRAGE	4
13	06080108	SKIVE, M4 WASHER, M4	SCHEIBE, GALV. DISQUE GALV.	2
14	06200103	AFSTANDSSTYKKE DISTANCE PIECE	ZWISCHENSTUECK ENTRETOISE	20
15	06200142	AFSTANDSSTYKKE, Ø25 DISTANCE PIECE, Ø25	DISTANZSCHEIBE ENTRETOISE TYPE D TYPE D	4
16	06050971	KØREHÅNDTAG, Ø25X21290 OPERATION HANDLE, Ø25X21290	FAHRHANDGRIFF POIGNEE G600P	1
17	06200064	DUPSKO, 25 CAP, 25	KAPPE BOUT	2
18	06061437	DÆKPLADE, GRØN COVER PLATE, GREEN	COUVERCLE, VERTE	1
18	06061456	DÆKPLADE, GRÅ, N830 COVER PLATE, GREY, N830	COUVERCLE, GRIS, N830	1
19	06301903	TRANSFER, 830A TRANSFER, 830A	AUTOCOLLANT, 830A	1
21	06301923	TRANSFERS GERNI TRANSFERS GERNI	KLEBSTREIFEN GERNI AUTOCOLLANT GERNI	1
22	06061438	SIDEPLADE GRØN SIDE PLATE GREEN	SEITENPLATTE, GRÜN PLAQUE DE COTE VERT, 800	1
22	06061457	SIDEPLADE GRÅ, G830 SIDE PALTE GREY, G830	PLAQUE DE COTE GRIS, G830	1
23	06070345	SKRUE, 5X35 SCREW, 5X35	SCHRAUBE, P/K, GALV. VIS T/L GALV.	2

Ramme mask. no. >100405003398 / Frame machin no. >100405003614 / Rahmen / Cadre mach. no. <100405003398

830 A

Pos.	Ref. no.	Betegnelse Description	Bezeichnung Description
24	06080084	MØTRIK, M5 NUT, M5	MUTTER, GALV. ECROU GALVANISE
25	06200442	HOLDER FOR PISTOL , R.D.:150598 HOLDER FOR PISTOL , R.D.:150598	SUPPORT POUR PISTOLET
26	06200052	SPULERØRSHOLDER LANCE HOLDER	LANZENHALTER PLASTIK SUPPORT LANCE 600P
27	06161001	KABELAFLASTNING CABLE RELIEF	DECHARGEMENT DE CABLE
28	06160954	KONTRAMØTRIK, 420/21 COUNTER NUT, 420/21	CONTRE-ECROU, 420/21
29	06130094	LUFTGUMMIHJUL, 12"x4" AIR RUBBER WHEEL, 12"x4"	LUFTGUMMIRAD ROUE CAOUTC.AIR 600P-PX
30	06051037	HJULAKSEL, Ø25X2197 WHEEL AXLE, Ø25X2197	ARBRE DE ROUE
31	06080075	SPÆNDESKIVE, 45X25,5X1,5 TENSION DISC, 45X25,5X1,5	FEDERSCHEIBE F. RAD, GALV. RONDELLE DE SERRAGE POURUUE
32	06070401	UNBRACO SKRUE, M8X40 ALLEN SCREW, M8X40	IMBUSSBOLZEN, GALV. BOULON A TETE CYLINDRIQUE GALV.
33	06080004	SPÆNDESKIVE, 8,4X17X1,6 TENSION DISC, 8,4X17X1,6	FEDERSCHEIBE, GALV. RONDELLE
34	06080038	MØTRIK, M8 NUT, M8	SELBSTSCHLIESSENDE MUTTER, GALV. ECROU
35	06040201	BREMSESTANG, Ø10X1000 G830 BRAKE LEVER , Ø10X1000 G830	LEVIER DE FREIN, □10X1000 G830
36	06061447	LÅSEBESLAG FOR BREMSER LOCK FITTINGS FOR BRAKE	GARNITURE DE SERRURE P. FREINS
37	06070435	SKRUE, M6X16 SCREW, M6X16	TAP TITE P/K, GALV. VIS M6X16 2300/2500/2700
38	06200288	KUGLE, M10 Ø32 BALL, M10 Ø32	KUGEL, SCHWARZ BOULET(TENTE) NTE)
39	06181005	BØSNING, Ø25X22 SLEEVE, Ø25X22	BUCHSE F. BREMSE G-6000 MANCHON POUR FREINS G-6000
40	06070478	PINOLSKRUE, M6X8 POINTED SCREW, M6X8	REITSTOCKSCHRAUBE, ROSTFREI VIS



Ramme mask. no. <100405003397 / Frame machin no. <100405003613 / Rahmen / Cadre mach. no. <100405003397

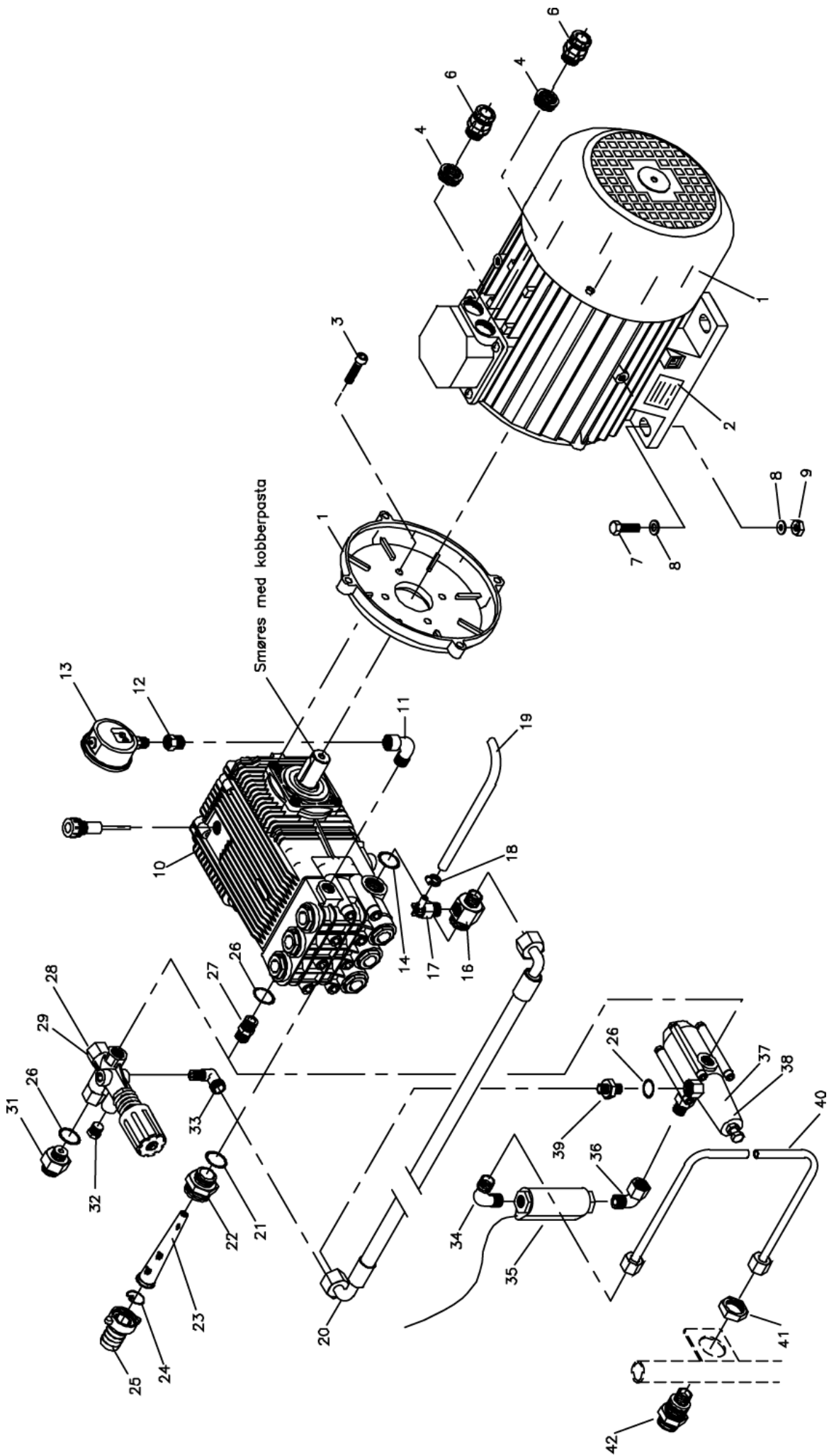
830 A

Pos.	Ref. no.	Betegnelse Description	Bezeichnung Description
0	06301903	TRANSFER, 830A TRANSFER, 830A	AUTOCOLLANT, 830A
0	06301923	TRANSFERS GERNI TRANSFERS GERNI	KLEBSTREIFEN GERNI AUTOCOLLANT GERNI
01	06211704	RAMME, G800 FRAME, G800	RAHMEN G800 CADRE, G800
02	06061438	SIDEPLADE GRØN SIDE PLATE GREEN	SEITENPLATTE, GRÜN PLAQUE DE COTE VERT, 800
02	06061457	SIDEPLADE GRÅ, G830 SIDE PALTE GREY, G830	PLAQUE DE COTE GRIS, G830
06	06070882	SKRUE, M6X45 SCREW, M6X45	VIS, M6X45
07	06070884	SKRUE, M4X40 SCREW, M4X40	VIS, M4X40
08	06070881	SKRUE, M6X70 SCREW, M6X70	VIS, M6X70
10	06080062	MØTRIK, M6 NUT, M6	SELBSTSCHLIESSENDE MUTTER, GALV. ECROU INDESERRABLE LAITON
12	06080016	SPÆNDESKIVE, 6 MM TENSION DISC, 6 MM	FEDERSCHEIBE, GALV. RONDELLE DE SERRAGE
14	06200103	AFSTANDSSTYKKE DISTANCE PIECE	ZWISCHENSTUECK ENTRETOISE
15	06200142	AFSTANDSSTYKKE, Ø25 DISTANCE PIECE, Ø25	DISTANZSCHEIBE ENTRETOISE TYPE D TYPE D
16	06050971	KØREHANDTAG, Ø25X21290 OPERATION HANDLE, Ø25X21290	FAHRHANDGRIFF POIGNEE G600P
17	06200064	DUPSKO, 25 CAP, 25	KAPPE BOUT
18	06061437	DÆKPLADE, GRØN COVER PLATE, GREEN	COUVERCLE, VERTE
22	06061524	SIDEPLADE FOR STYREBOX SIDE PLATE GREEN	SEITENPLATTE GRÜN PLAQUE DE COTE VERTE
22	06061528	SIDEPANEL F STYREBOX GRA SIDE PANEL GREY	SEITENPLATTE PLAQUE DE COTE GRIS
23	06070345	SKRUE, 5X35 SCREW, 5X35	SCHRAUBE, P/K, GALV. VIS T/L GALV.
24	06080084	MØTRIK, M5 NUT, M5	MUTTER, GALV. ECROU GALVANISE
25	06200442	HOLDER FOR PISTOL, R.D.:150598 HOLDER FOR PISTOL, R.D.:150598	SUPPORT POUR PISTOLET
26	06200052	SPULERØRSHOLDER LANCE HOLDER	LANZENHALTER PLASTIK SUPPORT LANCE 600P
27	06161001	KABELAFLASTNING CABLE RELIEF	DECHARGEMENT DE CABLE

Ramme mask. no. <100405003397 / Frame machin no. <100405003613 / Rahmen / Cadre mach. no. <100405003397

830 A

Pos.	Ref. no.	Betegnelse Description	Bezeichnung Description
28	06160954	KONTRAMØTRIK, 420/21 COUNTER NUT, 420/21	CONTR-ECROU, 420/21
29	06130094	LUFTGUMMIHJUL, 12"x4" AIR RUBBER WHEEL, 12"x4"	LUFTGUMMIRAD ROUE CAOUTC.AIR 600P-PX
30	06051051	HJULAKSEL, Ø25X2686 WHEEL AXLE, Ø25X2686	RADWELLE Ø25X2686 ARBRE DE ROUE, □25X2686
31	06080075	SPÆNDESKIVE, 45X25.5X1.5 TENSION DISC, 45X25.5X1.5	FEDERSCHEIBE F. RAD, GALV. RONDELLE DE SERRAGE POURROUE
32	06070746	UNBRACO SKRUE, M8X35 ALLEN SCREW, M8X35	IMBUSSBOLZEN, GALV. BOULON A TETE CYLINDRIQUE
33	06080004	SPÆNDESKIVE, 8.4X17X1.6 TENSION DISC, 8.4X17X1.6	FEDERSCHEIBE, GALV. RONDELLE
34	06080038	MØTRIK, M8 NUT, M8	SELBSTSCHLIESSENDE MUTTER, GALV. ECROU
35	06040201	BREMSESTANG, Ø10X1000 G830 BRAKE LEVER, Ø10X1000 G830	LEVIER DE FREIN, □10X1000 G830
36	06061447	LÅSEBESLAG FOR BREMSER LOCK FITTINGS FOR BRAKE	GARNITURE DE SERRURE P. FREINS
37	06200288	KUGLE, M10 Ø32 BALL, M10 Ø32	KUGEL, SCHWARZ BOULETTE(NTE) NTE)
38	06181005	BØSNING, Ø25X22 SLEEVE, Ø25X22	BUCHSE F. BREMSE G-6000 MANCHON POUR FREINS G-6000
39	06070478	PINOLSKRUE, M6X8 POINTED SCREW, M6X8	REITSTOCKSCHRAUBE, ROSTFREI VIS
40	06120572	O-RING, 23.4X3.5 O-RING, 23.4X3.5	JOINT 23,4 X 3,5
41	06280200	LÅSESKIVE Ø25 LOCK WASHER, Ø25	ENJOLIVEUR ROUE



Motor / Motor / Moteur

830 A

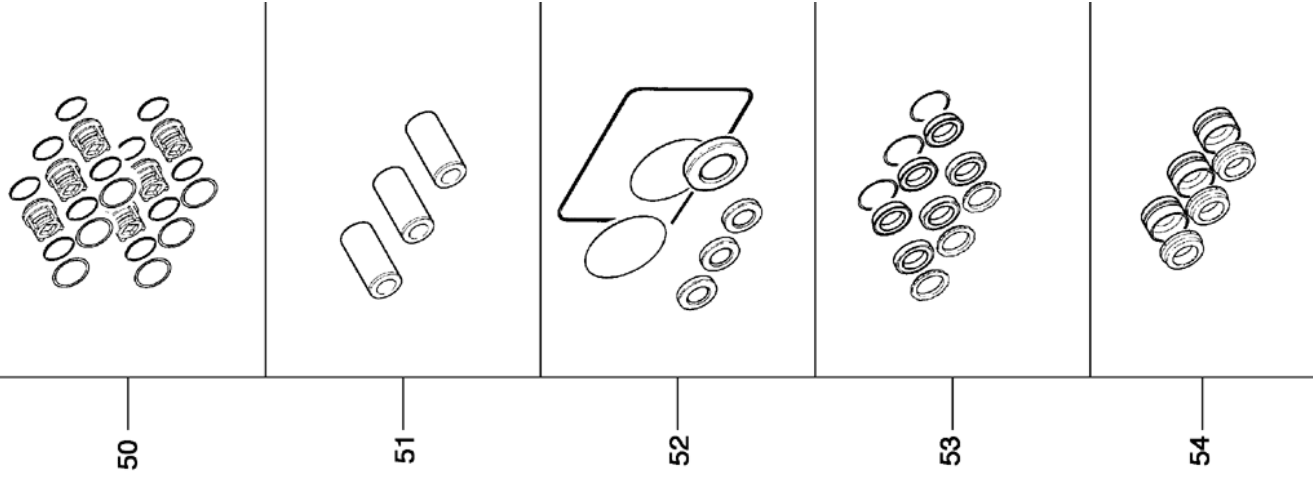
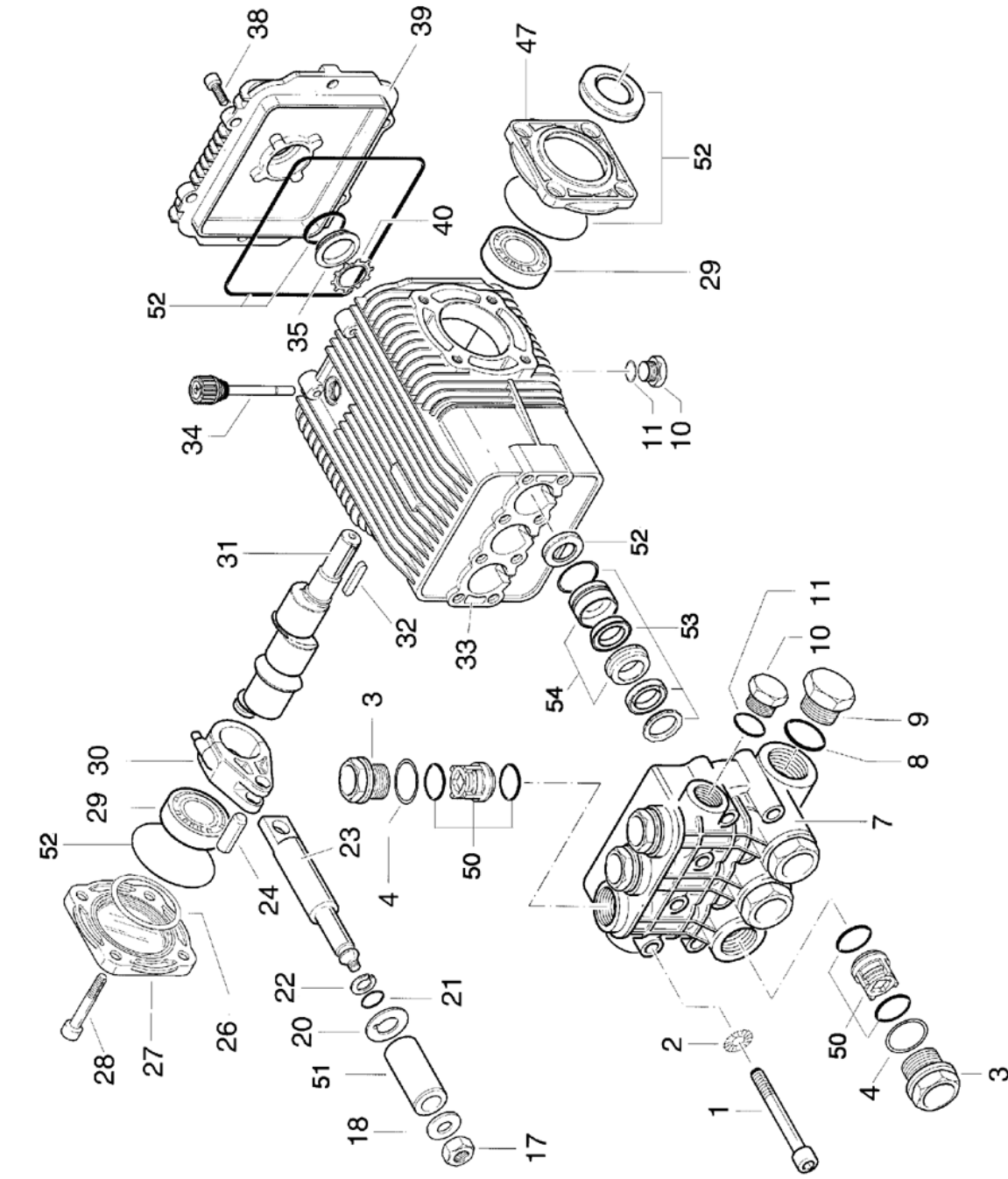
Pos.	Ref. no.	Betegnelse Description	Bezeichnung Description
01	06270372	EL-MOTOR, 3X400V-50HZ, 11KW ELECTRIC MOTOR, 3X400V-50HZ, 11KW	MOTEUR ELECTRIQUE, 3X400V-50HZ, 11KW
02	06301097	TYPESKILT, 45X65 MM TYPE PLATE, 45X65 MM	TYPESCHILD GRAU AUTOCOLLANT G-480
03	06070746	UNBRACO SKRUE, M8X35 ALLEN SCREW, M8X35	IMBUSSBOLZEN, GALV. BOULON A TETE CYLINDRIQUE
04	06161052	REDUKTION, 21/16 REDUCTION, 21/16	REDUCTION, 21/16
06	06160112	KABELGENNEMFØRING CABLE GROMMET	KABELDURCHFUEHRUNG TRAVERSEE DE CABLE
07	06070080	SÆTSKRUE, M10X40 SET SCREW, M10X40	SETZSCHRAUBE GALV. VIS D'ARRET, GALVANISEE
08	06080008	SPÆNDESKIVE, 10X19X1,5 TENSION DISC, 10X19X1,5	FEDERSCHEIBE, GALV. RONDELLE DE SERRAGE GALVA
09	06080043	MØTRIK, M 10 NUT, M 10	SELBSTSCHLIESSENDE MUTTER, GALV. ECROU INDESERRABLE
10	06360597	PUMPE KOMPLET, 1.1KW PUMP CPL., 1.1KW 30L X 200BAR	POMPE 30 LITRES -210 BARS
11	06030830	VINKELSTUDS, 3/8" X 3/8" ANGLE SOCKET, 3/8" X 3/8"	RACCORD EQUERRE, 3/8" X 3/8"
12	06030548	REDUKTIONSNIPPEL, 1/4"X3/8" REDUCING NIPPLE, 1/4"X3/8"	REDUZIERNIPPEL RACCORD DE REDUCTION
13	06220053	MANOMETER, 0 - 300 BAR PRESSURE GAUGE, 0 - 300 BAR	MANOMETRE G830
14	06120563	O-RING, 24 X 2,5 O-RING, 24 X 2,5	JOINT TORIQUE, 24 X 2,5
16	06181491	FORSKRUNING, 32X50 SCREWED CONNECTION, 32X50	RACCORD A VIS -NV32X50
17	06100389	TERMOVENTIL, VT6 G3/8" M THERMAL VALVE, VT6 G3/8" M	THERMOVANNE
18	06110494	SPÆNDEBAND, 10-12 RETAINING RING, 10-12	SCHLAUCHSCHELLE 8- FRETTE
19	06110408	RETURSLANGE, 1/4"X230 RETURN HOSE, 1/4"X230	RUECKSCHLAUCH MULTIFLEX TUYAU DE RETOUR MULTIFLEX
20	06110523	SLANGE HOSE	HOCHDRUCKSCHLAUCH TUYAU HP POMPE/CHAUDIÈRE
21	06120563	O-RING, 24 X 2,5 O-RING, 24 X 2,5	JOINT TORIQUE, 24 X 2,5
22	06181490	TILGANGSNIPPEL 3/4"-1" INLET NIPPLE 3/4"/1"	EINLASSNIPPEL 3/4"-1" RACCORD DE ENTREE, 3/4"-1"
23	06100364	VANDFILTER WATER FILTER	FILTER F. WASSEREINLASS FILTRE A EAU
24	06080253	LÅSERING LOCKING RING	JOINT D'ARRET

Motor / Motor / Motor / Moteur

830 A

Pos.	Ref. no.	Betegnelse Description	Bezeichnung Description
25	06030829	VANDSLANGEFORSKRUNING, F/VANDTILGANG, 1" X WATER HOSE COUPLING, FOR WATER CON., 1" X 3/4"	1
26	06120385	USITRING, 24X16,7X1,5 USITRING, 24X16,7X1,5	2 RACCORD DE TUYAU USITRING JOINT D'ETANCHEITE G-4000
27	06030147	BTR-NIPPEL, GALV 3/8"Æ BTR NIPPLE, GALV 3/8"	1 BTR-NIPPEL, GALV. BTR RACCORD
28	06100393	TRYKAFLASTNINGSVENTIL, 4000CM/CI VALVE FOR PRESSURE RELIEF, 4000CM/CI	1 VANNE P. DECHARGEMENT DE PRES., 4000CM/CI
29	06262212	TRYKAFLASTNINGSVENTILSKIT KIT FOR VALVE FOR PRESSURE RELIEF	1 KIT P. VANNE P. DECHARG. DE PRES.
31	06180441	SKRUEKOBLING HAN, 22X35 SCREW COUPLING MALE, 22X35	1 SCHRAUBENKUPPLUNG MAENNLICH RACCORD SORTIE HP
32	06030472	PROP MESSING, 1/4" BRASS PLUG, 1/4"	1 PFROPFEN MESSING BOUCHON
33	06030828	FORSKRUNING, 12-1/4" SCREWED CONNECTION, 12-1/4"	1 RACCORD A VIS, 12-1/4"
34-42	06262252	KIT FOR FLOWSTYRING G830A KIT FOR FLOW CONTROL, UPGR.	1 KIT P. CONDUITE DE FLOW. UPGR.
35	06170166	FLOWSWITCH FLOW SWITCH	1 STROEMUNGSWAECHTER F STROEMUNGSKONTROLLE FLOW-SWITCH
36	06030834	VINKELNIPPEL, 3/8" ANGLE NIPPLE, 3/8"	1 RACCORD D'EQUERRE, 3/8"
37	06100397	BY-PASS VENTIL, KPL. BY-PASS VALVE, CPL.	1 VANNE BY PASS COMPL.G830A
39	06030757	FORSKRUNING, 3/8" SCREWED CONNECTION, 3/8"	1 HYDRAULIKVERSCHRAUBUNG KIT JOINT TUYAU CUIVRE +
40	06262248	AFGANGSRØR, KPL. OULET PIPE, CPL.	1 TUYAU DE DEPART CPL.
41	06190062	MØTRIK, 27X10 NUT, 27X10	1 GEGENMUTTER CONTRE-ECROU LAITON M22 X
42	06180468	AFGANGSSTUDES, 24X52 OUTLET SOCKET, 24X52	1 AUSLASSSTUTZEN RACCORD DE SORTIE NV 27 X

Pumpe / Pump / Pumpe / Pomp



Pumpe / Pump / Pumpe / Pomp

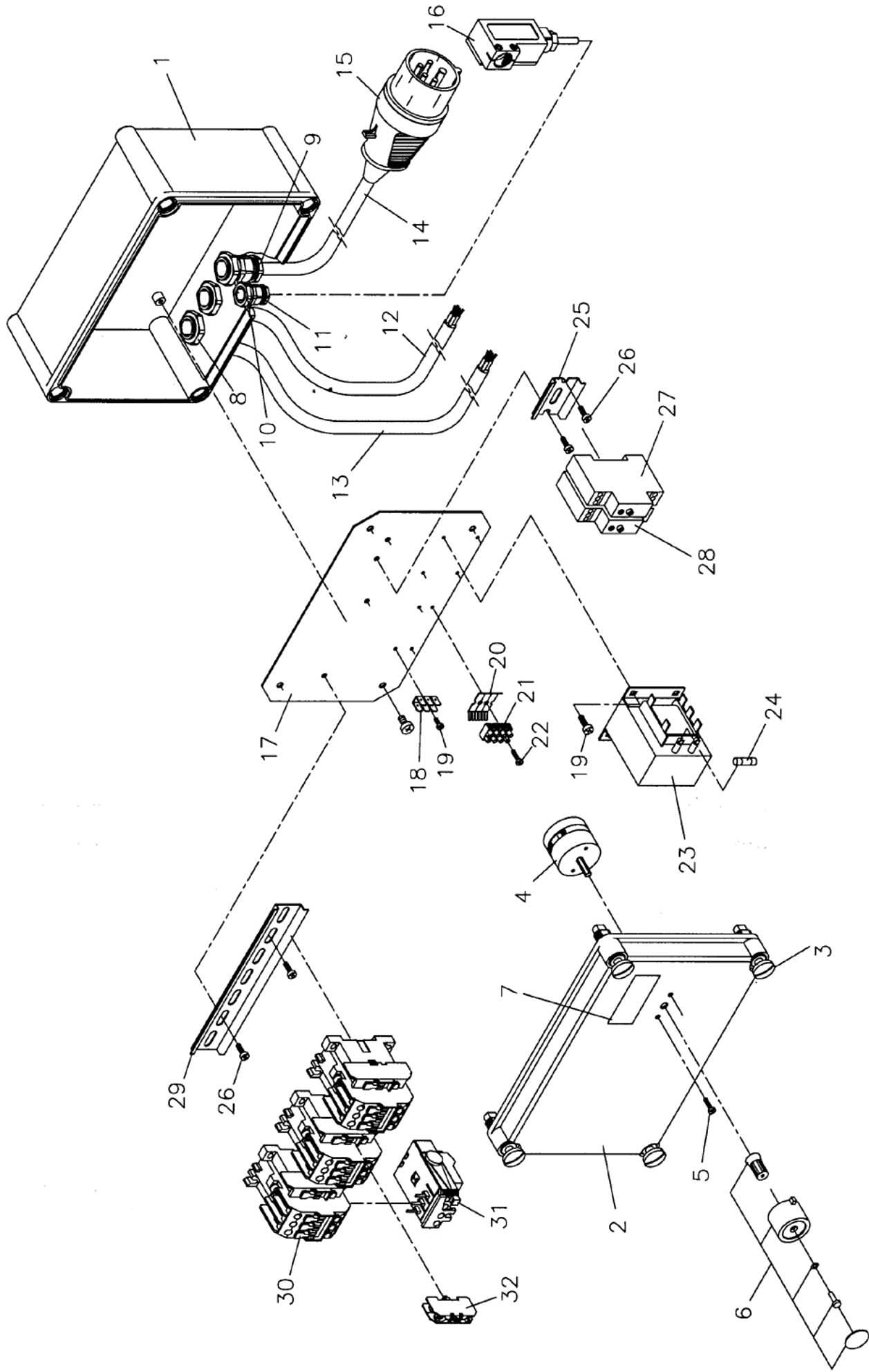
830 A

Pos.	Ref. no.	Betegnelse Description	Bezeichnung Description	
01	06401206	SKRUE SCREW	VIS	8
02	06401207	SKIVE WASHER	RONDELLE	8
03	06401208	PROP PLUG	BOUCHON POUR G 830	6
04	06401209	TÆTNINGSSKIVE SEALING RING	RONDELLE	6
07	06401210	PUMPEHUS PUMP HOUSING	CULASSE G 830	1
08	06401211	O-RING O-RING	JOINT TORIQUE	1
09	06401212	PROP PLUG	CAPUCHON	1
10	06401213	PROP PLUG	CAPUCHON	2
11	06401214	O-RING O-RING	JOINT TORIQUE	2
17	06401215	MØTRIK NUT	ECROU G830	3
18	06401216	SKIVE WASHER	RONDELLE	3
20	06401217	AFSTANDSSKIVE SPACER	DISQUE DE SEPARATION G830	3
21	06401218	O-RING O-RING	JOINT TORIQUE	3
22	06401219	TÆTNINGSSKIVE SEALING RING	BAGUE POUR 830	3
23	06401220	STEMPELARM GUIDING PISTON	GUIDE PISTON G830	3
24	06401221	STEMPELSTIFT PISTON PIN	GOUJON	2
26	06401222	SCHIMS, 0,10 MM SHIM, 0,10 MM	EPAISSEUR, 0,10 MM	1
26	06401223	SCHIMS, 0,19 MM SHIM, 0,19 MM	JOINT EPAISSEUR 0,19MM	1
26	06401224	SCHIMS, 0,25 MM SHIM, 0,25 MM	EPAISSEUR, 0,25 MM	1
27	06401225	SIDE DÆKSEL CLOSED SIDE COVER	COUVERCLE LAT. FERME	1
28	06070746	UNBRACO SKRUE, M8X35 ALLEN SCREW, M8X35	IMBUSSBOLZEN, GALV. BOULON A TETE CYLINDRIQUE	4
29	06401226	LEJE BEARING	ROULEMENT	2

Pumpe / Pump / Pumpe / Pomp

830 A

Pos.	Ref. no.	Betegnelse Description	Bezeichnung Description	
30	06401227	MEDBRINGER CON ROD	BIELLE	3
31	06401228	KRUMTAP CRANK	VILEBREQUIN	1
32	06401229	NOT KEY	LANGUETTE	1
33	06401230	PUMPE HUS PUMP HOUSING	CORPS POMPE G830	1
34	06401231	OLIE PIND OIL CAP	BOUCHON CHARGE HUIIL	1
35	06401232	OLIE INDIKATOR OIL INDICATOR	NIVEAU HUIILE	1
38	06070093	SKRUE, M6X16 SCREW, M6X16	IMBUSSCHRAUBE BOULON A TETE CYLINDRIQUE	6
39	06401233	ENDE DÆKSEL REAR COVER	COUVERCLE POSTERIEUR	1
40	06401234	LÅSERING LOCKING RING	JOINT D'ARRET	1
47	06401235	ÅBEN SIDE DÆKSEL OPEN SIDE COVER	COUVERCLE LAT. OUVERT	1
51	06401202	STEMPELKIT 3 STK., 830 Ø22 PISTON KIT 3 PCS., 830 Ø22	KIT PISTONS G 830(QT 3)	1
52	06401203	OLJETÆTNINGSKIT, Ø22 KIT FOR OIL SEALS, Ø22	KIT BAGUES G 830	1
53	06401204	VAND TÆTNINGSKIT, Ø22 KIT FOR WATER SEALS, Ø22	KIT COUPELLES G 830	1
54	06401205	STEMPELFOREINGSKIT, Ø22 KIT FOR PISTONS GIUDE, Ø22	KIT GUIDE PISTONS G 830	1



EI-komponenter mask. no <100405003397 / Electric components machin no. <100405003614 / Elektrische komponente / Composantes électriques

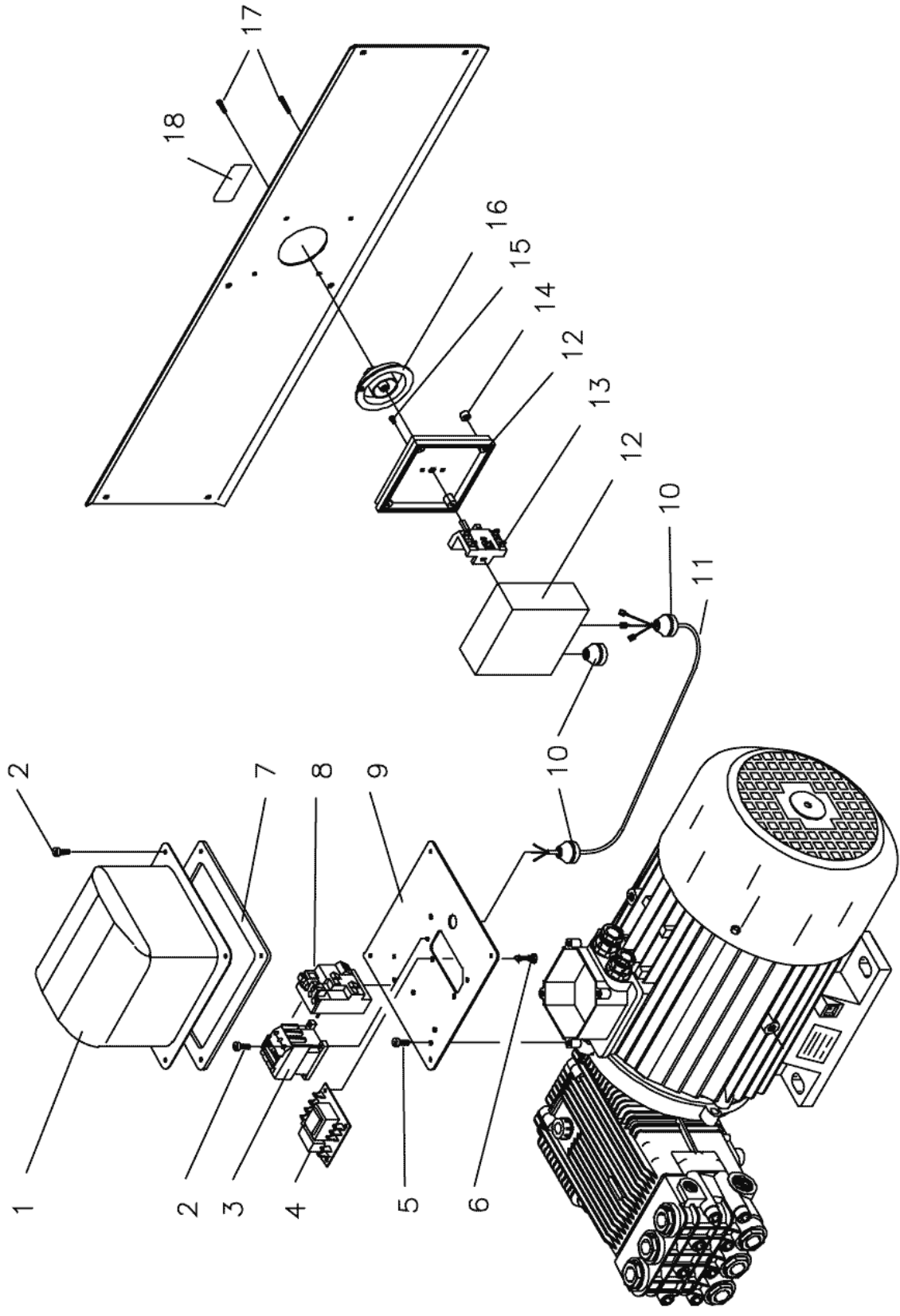
830 A

Pos.	Ref. no.	Betegnelse Description	Bezeichnung Description
01	06200513	ELKASSEBUND, 830 BOTTOM FOR ELECTRIC BOX, 830	FOND DE BOITE ELECTRIQUE, 830
02	06200514	ELKASSELÖG COVER FOR ELECTRIC BOX	COUVERCLE DE BOITE ELECTRIQUE
03	06200432	SKRUE SCREW	VIS
04	06160468	OMSKIFTER KOMPLET, SE 16-0675 SWITCH CPL., SE 16-0675	SCHALTER INTER REMPL.P/1 ETAG OU 2
05	06070341	SKRUE, 4X16 SCREW, 4X16	SCHRAUBE P/K, GALV. VIS
06	06261769	PLASTKNAPKIT BUTTON KIT, PLASTIC	KIT F. PLASTIK KNOF KIT POUR BOUTON EN
07	06301450	TRANSFERS ON-OFF TRANSFERS ON-OFF	TRANSFERS START/STOPP G-660 AUTOCOLLANT MARCHE/ARRETHHE/ARRET G-660
08	06160117	KONTRAMØTRIK, M16 COUNTER NUT, M16	GEGENMUTTER CONTRE-ECROU
09	06160112	KABELGENNEMFØRING CABLE GROMMET	KABELDURCHFUEHRUNG TRAVERSEE DE CABLE
10	06161054	KONTRAMØTRIK, 9 COUNTER NUT, 9	CONTRE-ECROU, 9
11	06161053	FORSKRUNING SCREWED CONNECTION	RACCORD A VIS
12	06637516		
13	06637515		
14	06637606	KABEL 4X4,0 G 8M U STIK INLET CABLE 4X4X8000	EINLASSKABEL 4X4X8000 CABLE D'ENTREE 4X4X8M
15	06160946	EL-STIK, 400V CEE5 32 ELECTRIC PLUG, 400V CEE5 32	STECKER PRISE ELECTRIQUE CEE
16	06100394	MICROSWITCH MICRO SWITCH	MICRO-RUPTEUR
17	06061444	MONTERINGSPLADE, 1,5 X 160 X 255 MOUNTING PLATE, 1,5 X 160 X 255	PLAQUE DE MONTAGE, 1,5 X 160 X 255
18	06160822	FLADSTIKFORDELER, 6,3 MM G6000 FLAT PLUG DISTRIBUTOR, 6,3 MM G6000	FLACHSTECHEVERTERILER DISTRIBUTEUR DE PRISE DE COURANT
19	06070763	SKRUE, 3,5X6 SCREW 3,5X6,5	SCHRAUBE 3,5X6,5 VIS 3,5X6,5
20	06160764	UNDERLAGSPLADE WASHER	UNTERLAGSSCHEIBE PLAQUE DE SUPPORT
21	06160985	KRONEMUFFE, Ø4,2 3PCS CROWN SOCKET, Ø4,2 3PCS	KRONENMUFFE MANCHON A CRENEAU3 PCS./3 PCS./DIA. 4,2
22	06070757	SKRUE, M3,5X16 SCREW, M3,5X16	SELFSCHNEIDENDE SCHRAUBE, P/K VIS INDESSESSABLE

EI-komponenter mask. no <100405003397 / Electric components machin no. <100405003614 / Elektrische komponente / Composantes électriques

830 A

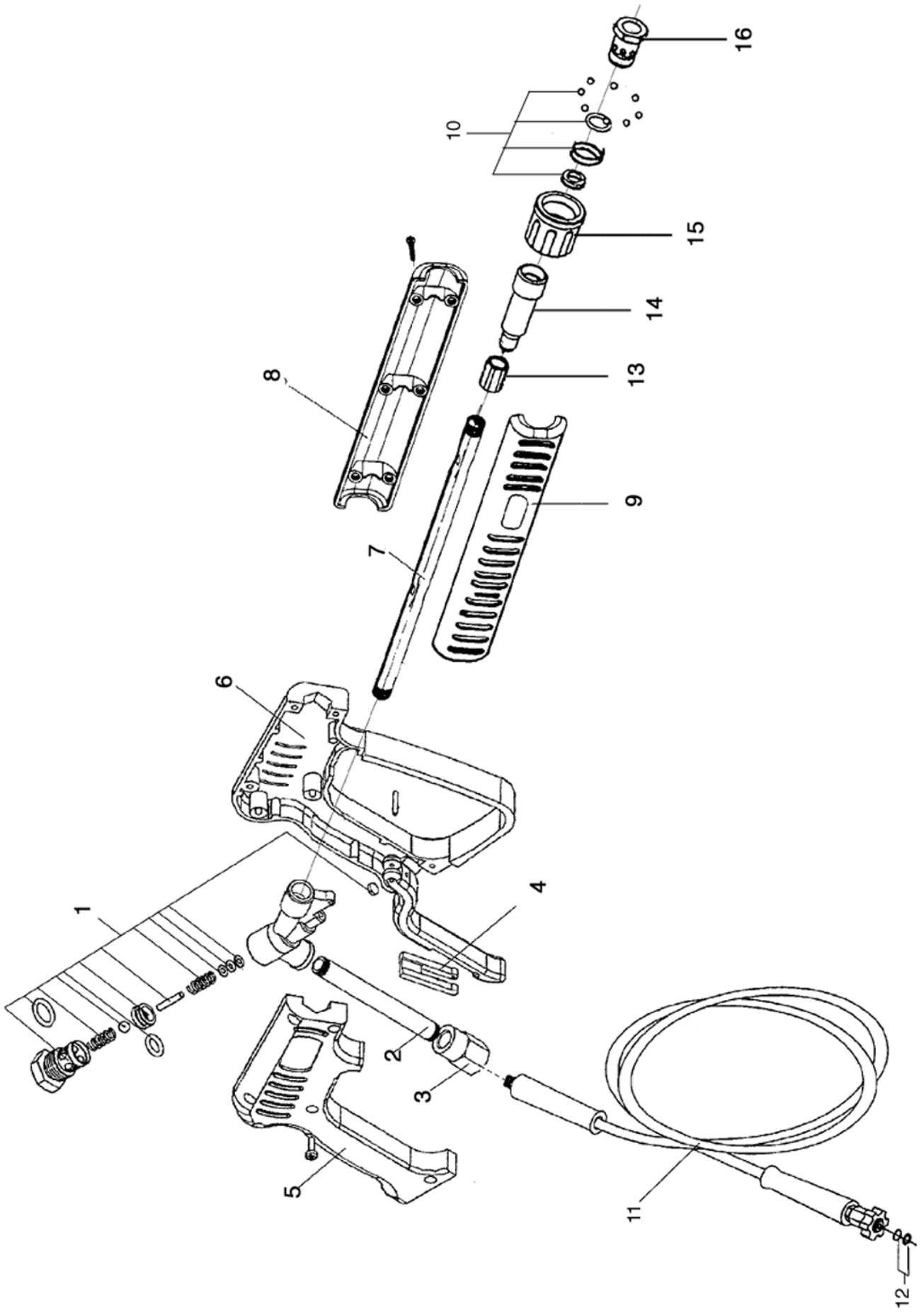
Pos.	Ref. no.	Betegnelse Description	Bezeichnung Description
23	06160884	TRANSFORMER, 220/380V - 24V TRANSFORMER, 220/380V - 24V	TRANSFORMATOR TRANSFORMATEUR
24	06160067	FINSIKRING, 2 AMP. FUSE, 2 AMP.	SICHERUNG 2 AMP. 4792120207 FUSIBLE
25	06160909	DIN-SKINNE, 7.5X45 MM DIN RAIL, 7.5X45 MM	DIN GLEIS DIN CERCLE
26	06070362	SKRUE, 5X8 SCREW, 5X8	SCHRAUBE P/K, GALV. VIS T/L GALV.
27	06161064	TIMER FOR UDKOBLING TIMER RELAY DELAY OFF	TIMER AUSKUPPLUNG TIMER DECOUPLER=161082
28	06161062	TIMER FOR UDKOBLING TIMER RELAY DELAY OFF	TIMER AUSKUPPLUNG TIMER D'ENCLACHEMENT
29	06160910	DIN-SKINNE, 7.5X175 MM DIN RAIL, 7.5X175 MM	DIN CERCLE, 7.5X175 MM
30	06160463	KONTAKTOR, 25A 24V/50-60HZ CONTACTOR, 25A 24V/50-60HZ	SCHUETZ C125 24 V 50/60 HZ CONTACTEUR C125 24V 50HZ
31	06160722	TERMORELÆ, 19 - 25 AMP. THERMAL RELAY, 19 - 25 AMP.	THERMORELAIS
32	06161061	HJÆLPEKONTAKTOR, C16 - C150 AUXILIARY CONTACTOR, C16 - C150	CONTACTEUR AUXILIAIRE



El-komponenter mask. no. >100405003398 / Electric components machin no. >100405003613 / Elektrische komponente / Composantes électriques

830 A

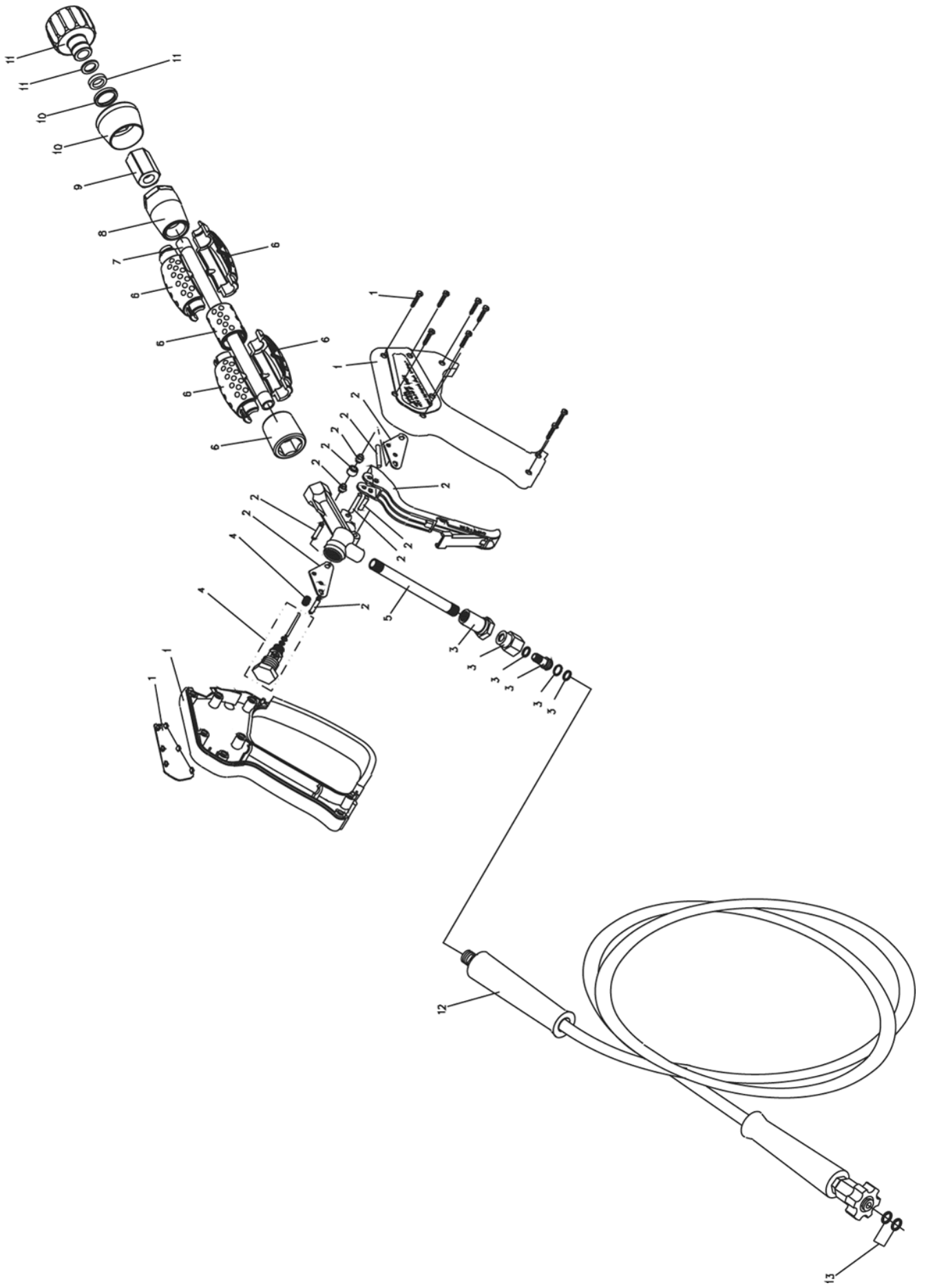
Pos.	Ref. no.	Betegnelse Description	Bezeichnung Description
01	06061526	EL-BOX G840A ELECTRIC BOX	EL-KASTEN BOITE ELECTRIQUE
02	06070805	SKRUE, 4,8X9,5 SCREW, 4,8X9,5	SCHRAUBE VIS INDESSERABLE 4,8X9,5
03	06161095	KONTAKTOR CI 30 400V CONTACTOR CI30 400V	SCHÜTZ CI30 400V CONTACTEUR CI30 400V
04	06170291	PRINT PRINT, 400-415V50-60	UNITE DE CONTROLE,
05	06070344	SKRUE, 5X12 SCREW, 5X12	SCHRAUBE, PIK, GALV. VIS T/L GALV.
06	06170293	CLIPS CLIPS	CLIPS CLIPS
07	06120584	PAKING FOR EL-BOX G602A GASKET FOR ELEC. BOX	DICHTUNG F. EL-BOX JOINT DE BOITE ELECTRIQUE
08	06161094	TERMORELÆ TI 30 24-32A THERMAL RELAY 24-32A 24V	THERMORELAYS 24-32A 24V RELAIS THERMIQUE 24-32A
09	06061525	EL-PLADE G840A ELEC. PLATE	EL-PLATTE PLAQUE ELECTRIQUE
10	06120111	PAKDASE, C 5-7 STUFFING BOX, C 5-7	STOPFBUCHE PRESSE-ETOUPE CAOUCCHOUC
11	06161099	KABEL CABLE	KABEL CABLE
12	06200570	EL-KASSE BEARBEJDET G840A ELECTRIC BOX	ELEKTROKASTEN BOITE ELECTRIQUE
13	06161084	DREJEFBRYDER, 0-1-AUTO SWITCH, 0-1-AUTO	INTERRUPTEUR 412/452/482
14	06200571	AFSTANDBØSNING SPACER	DISTANZBUCHSE DOUILLE
15	06070327	SKRUE, M4X8 SCREW, M4X8	SCHRAUBE, VERSENKT X Z VIS UHJ X Z
16	06200538	START/STOP KONTAKT START/STOP SWITCH	BOUTON MISE EN MARCHÉ
17	06070911	PLASTTITE 3,5X30 SCREW, 3,5X30	SCHRAUBE 3,5X30 VIS, 3,5X30
18	06302036	TRANSFERS START/STOP , 0-1-AUTO TRANSFERS START/STOP , 0-1-AUTO	KLEBSTREIFEN 1-0-AUT AUTOCOLLANTS MISE EN MARCHÉ/ARRET , 0-1-AUTO



Pistol / Pistol / Pistole / Pistolet

830 A

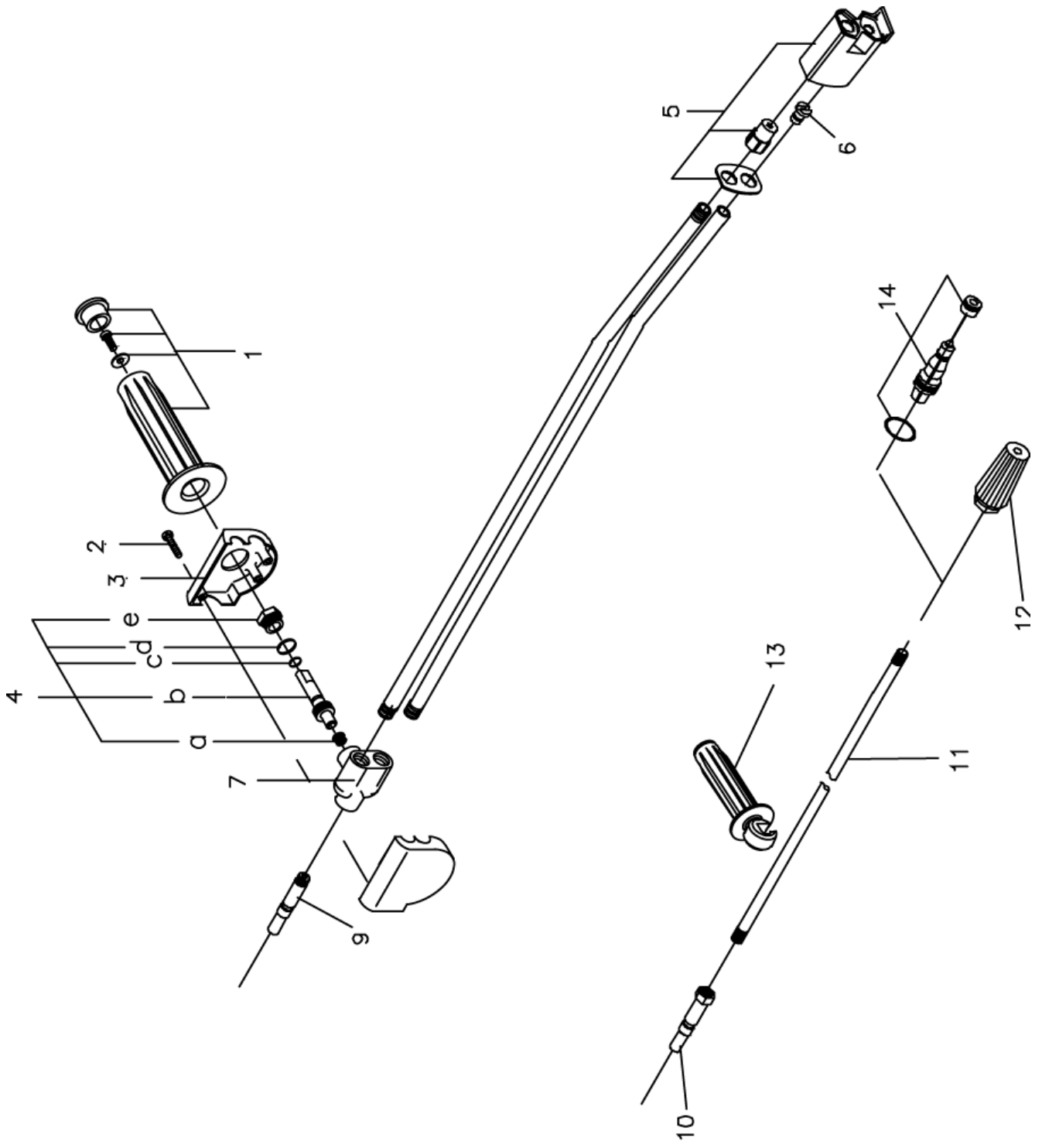
Pos.	Ref. no.	Betegnelse Description	Bezeichnung Description	
0	06290080	PISTOL LANG M. QUICK PISTOL WITH QUICK COUPLING	PISTOLET 3/8 EME	1
01	06261543	SERVICEKIT F. PISTOL MTM SERVICE KIT FOR PISTOL , MTM	KIT F. PISTOLE MTM KIT DE SERVICE P.PISTOLET	1
02	06050981	TILGANGSRØR INLET PIPE	EINLASSROHR F. PISTOL TUBE D'ENTREE PISTOLET	1
04	06200384	SIKKERHEDSPAL SAFETY LOCK	SPERRVORRICHTUNG ARRET DE SURETE MTM	1
05	06200420	PISTOLKROP PISTOL HOUSING	PISTOLKÖRPER RECHTS CORPS DE PISTOLET	1
06	06200421	PISTOLKROP PISTOL HOUSING	PISTOLKÖRPER LINKS CORPS DE PISTOLET	1
07	06051045	FORRØR FOR PISTOL FRONT PIPE FOR PISTOL	TUBE AVANT PISTOLET290080	1
08	06200525	KAPPE CAP	CACHE TUBE PISTOLET290080	1
09	06200524	KAPPE CAP	CACHE TUBE PISTOLET290080	1
10	06262246	KIT FOR LYNKOBLING KIT FOR QUICK COUPLING	KIT JOINTS RACCORD RAPIDE	1
11	06110200	HØJTRYKSSLANG DN10X10M HIGH PRESSURE HOSE, 3/8"X3/8" NIPPLE, Ø10 MM 10 M	HOCHDRUCKSCHLAUCH FLEXIB.HP 10M-DIAMETRE 10	1
12	06260936	PAKNINGSKIT F. SKRUEKOB. GASKET KIT FOR SCREW COUPLING	DICHTUNGSKIT F. SCHRAUBENKUPPLUNG KIT JOINT RACCORD VIS	1
13	06262287	MUFFE, 1/4"-1/4" SOCKET, 1/4"-1/4"	MANCHON P/PISTOLET 290080	1
14	06262286	KOBLING COUPLING	RACCORD VIS P/PISTOLET	1
15	06262284	OMLØBER COUPLING NUT	ECROU D/RACCORD P/PISTOLE	1
16	06262285	KOBLING COUPLING	RACCORD P/PISTOLET 290080	1



Pistol / Pistol / Pistole / Pistolet

830 A

Pos.	Ref. no.	Betegnelse Description	Bezeichnung Description	
0	06290111	PISTOL - EGT 2600 - LANG MED SWIVEL, LYNKOBLING PISTOL - EGT 2600 - LONG W. SWIVEL, QUICK COUP.	PISTOLET EGT2600 RAC.RAPI	1
0	06290121	O-RINGSKIT FOR PISTOL O-RING KIT FOR PISTOL	JOINT A LEVRE .P/290111	1
01	06290119	PISTOLKROP KPL. PISTOL HOUSING CPL.	CORPS PISTOLET 290111	1
02	06290120	AFTRÆKKER KIT PULLER KIT	KIT DETENTE P/PIST.290111	1
03	06290122	DREJELED, KPL. SWIVEL, CPL.	JOINT TOURN.P/PIST.290111	1
04	06290123	VENTIL KPL. VALVE CPL.	VANNE P/PISTOLET 290111	1
05	06290124	TILGANGSRØR INLET PIPE	TUYAU D'ENTREE P/290111	1
06	06290125	KAPPEKIT CAP KIT	PROTECTION P/290111	1
07	06290126	FØRRØR FOR PISTOL FRONT PIPE FOR PISTOL	TUBE AVANT P/PISTOL.290111	1
08	06290127	AFSTANDSSTYKKE DISTANCE PIECE	ENTRETOISE P/PISTOL290111	1
09	06290128	MUFFE SOCKET	MANCHON P/PISTOL 290111	1
10	06290129	AFSTANDSSTYKKE DISTANCE PIECE	ENTRETOISE P/PISTOL290111	1
11	06290130	LYNKOBLING KPL. QUICK COUPLING CPL.	RACCORD RAPID.PIST.290111	1
12	06110200	HØJTRYKSSLANG DN10X10M HIGH PRESSURE HOSE, 3/8"X3/8" NIPPLE, Ø10 MM 10 M	HØCHDRUCKSCHLAUCH FLEXIB.HP 10M-DIAMETRE 10	1
13	06260936	PAKNINGSKIT F. SKRUEKOB. GASKET KIT FOR SCREW COUPLING	DICHTUNGSKIT F. SCHRAUBENKUPPLUNG KIT JOINT RACCORD VIS	1



Spulerør / Lances / Lanzen / Lance

830 A

Pos.	Ref. no.	Betegnelse Description	Bezeichnung Description
01	06260232	HANDTAGSKIT F. SPULERØR HANDLE KIT	HANDGRIFFKIT F. DOPPELLANZE KIT REPAR./POIGNEE LANCE
02	06070772	SKRUE, 3,5X20 SCREW, 3,5X20	SCHRAUBE VIS 3,5X20
03	06200097	PYNTEDÆKSEL F. VENTILHUS COVER F. VALVE HOUSING	STaubKAPPE F. VENTILGEHAE COUVERCLEOR. D. VAN OR. D. VAN
04	06260860	VENTILSPINDEL KIT VALVE SPINDLE KIT	VENTILSPINDELKIT F. DRUCKREGELUNG KIT REGLAGE PRESSION DOUB
04A	06120006	O-RING, 6,75X1,78 O-RING, 6,75X1,78	O-RING JOINT TORIQUE MAT 4470
04B	06120010	O-RING, 13,1X1,6 O-RING, 13,1X1,6	O-RING JOINT TORIQUE MAT 4470
04C	06190245	MØTRIK NUT	MUTTER F. VENTIL ECROU POUR VANNE DOUB.LAN
05	06262201	SPECTRUM KIT, 200 SPECTRUM KIT, 200	KIT SPECTRUM 10.00
09	06030649	LYNKOBLING 1/4 UDV. QUICK COUPLING, 1/4"	SCHNELLKUPPLUNG RACCORD RAPIDE
0A	06261957	SPECTRUM 600MM U/TRYKDYSE SPECTRUM W. PRES. REG. - SCREW - 600 MM,	SPECTRUM OHNE DÜSE - 600 MM SPECTRUM SANS GICLEUR - 600 MM
0A	06262198	SPECTRUM W/ TRYKREG. - LYN - 600 MM, 200 SPECTRUM W. PRES. REG. - QUICK - 600 MM, 200	SPECTRUM 600/GICLEUR 10,0
0B	06262130	ROTO JET W/ LYN - 600 MM, 10,0 ROTO JET - QUICK - 600 MM, 10,0	LANCE ROTO JET RAPIDE 100
10	06030827	NIPPEL QUICK-1/4" INDV. NIPPLE, 1/4"	RACCORD RAPIDE 1/4" INTER
11	06050841	SPULERØR LIGE, Ø13X1,5X586 LANCE STRAIGHT, Ø13X1,5X586	LANZE GERADE TURBO LASER LANCE DROITE TURBO LASER
12	06262141	ROTO JET DYSE KPL., 10,0 ROTO JET NOZZLE CPL., 10,0	GICLEURROTOCPL10=262477
13	06260365	HANDGRIEB TIL ROT. BØRSTER OG ENKELT LANSERØR, HANDLE FOR ROTATING BRUSHES AND SINGLE	HANDGRIFF POIGNEE DE MAINTIEN LANCE
14	06262228	ROTO DYSE KIT, 10,0 ROTO JET NOZZLE KIT, 10,0	KIT POUR GICLEUR ROTO 100