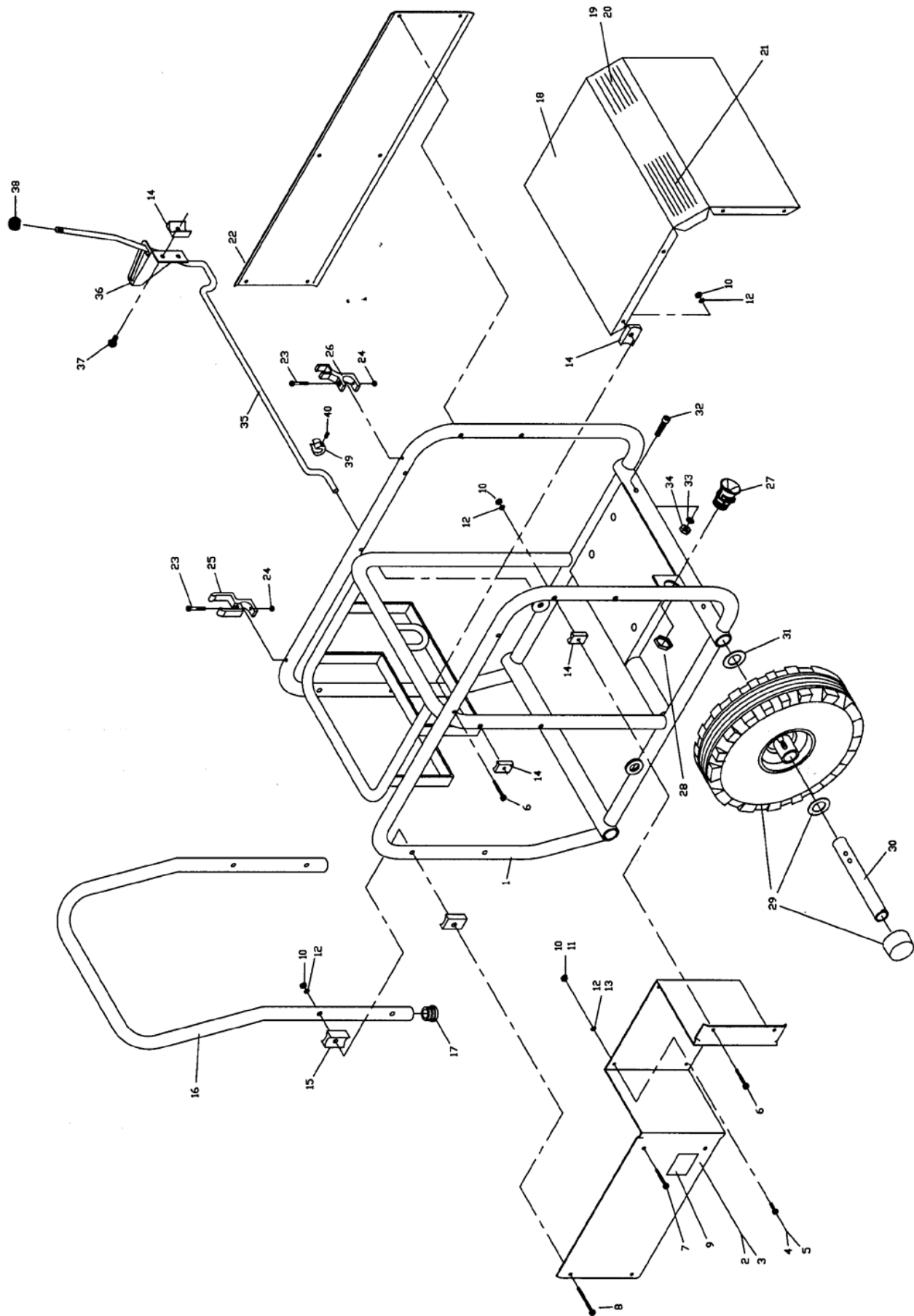

N/G 830 C

Reservedelsliste
Spare parts list
Ersatzteilliste
Liste de pièces détachées

Ramme / Frame / Rahmen / Cadre	2
Motor / Motor / Motor / Moteur	5
Pumpe / Pump / Pumpe / Pomp	8
EI-komponenter / Electric components 830C MkI / Elektrische komponente / Composantes électrique	11
EI-komponenter / Electric components 830C MkII / Elektrische komponente / Composantes électrique	13
Pistol / Pistol / Pistole / Pistolet	15
Pistol / Pistol / Pistole / Pistolet	17
Spulerør / Lances / Lanzen / Lance	19



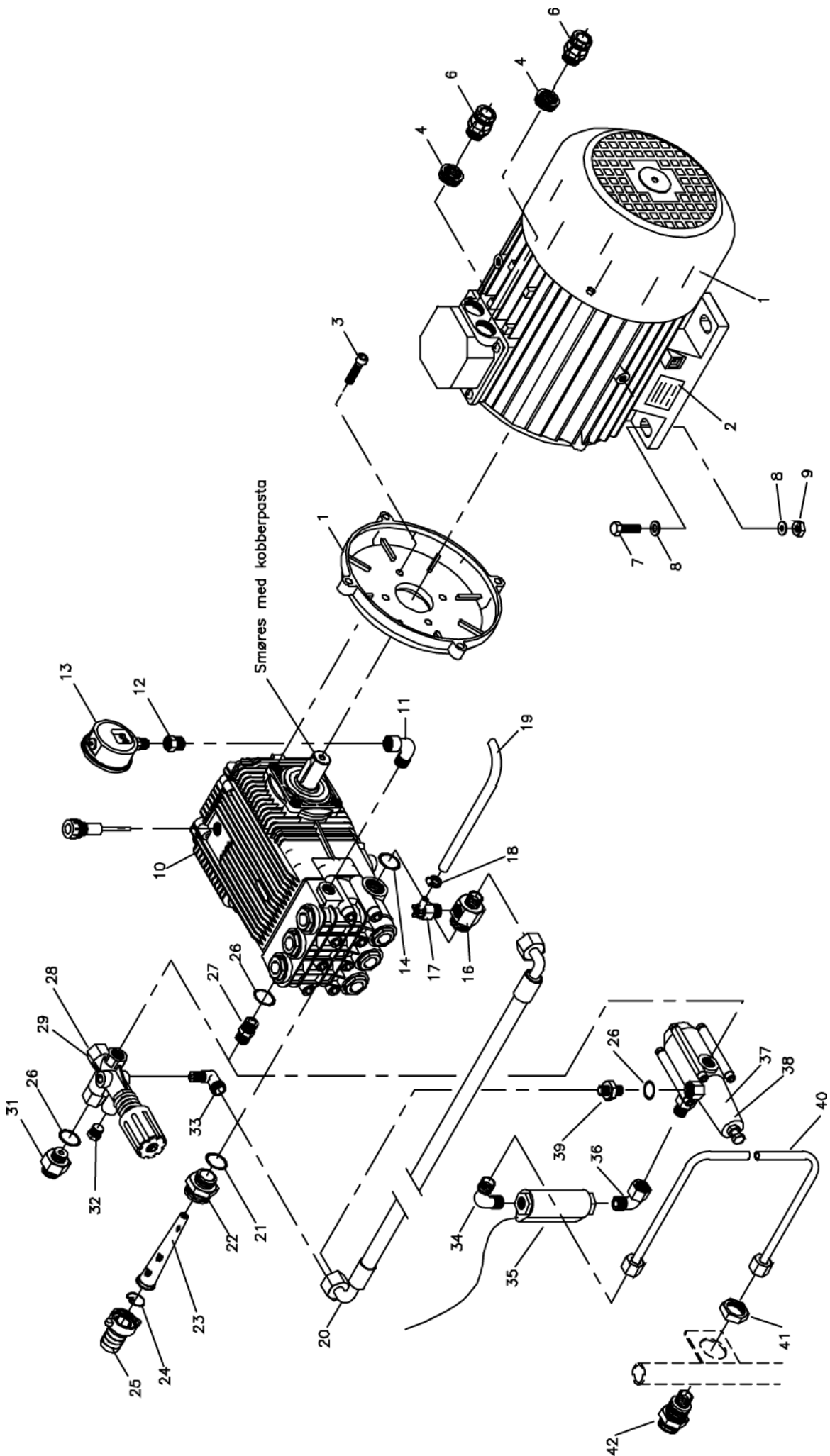
Ramme / Frame / Rahmen / Cadre

Pos.	Ref. no.	Betegnelse Description	Bezeichnung Description	830 C
01	06211704	RAMME, G800 FRAME, G800	RAHMEN G800 CADRE, G800	1
03	06061440	SIDEPLADE GRØN SIDE PLATE GREEN	PLAQUE DE COTE VERT	1
03	06061458	SIDEPLADE GRÅ, 830 SIDE PALTE GREY, 830	PLAQUE DE COTE GRIS, 830	1
05	06070350	SKRUE, M4X25 SCREW, M4X25	VIS, M4X25	2
06	06070882	SKRUE, M6X45 SCREW, M6X45	VIS, M6X45	8
07	06070884	SKRUE, M4X40 SCREW, M4X40	VIS, M4X40	4
08	06070881	SKRUE, M6X70 SCREW, M6X70	VIS, M6X70	4
09	06301619	TRANSFER "ADVARSEL" TRANSFERS "WARNING"	TRANSFERS WAHRNUNG G-880 AUTOCOL."AVERTISSEMENT"	1
10	06080062	MØTRIK, M6 NUT, M6	SELBSTSCHLIESSENDE MUTTER, GALV. ECROU INDESSERRABLE LAITON	16
11	06080168	MØTRIK, M4 NUT, M4	SELBSTSCHLIESSENDE MUTTER ECROU INDESSERRABLE	2
12	06080016	SPÆNDESKIVE, 6 MM TENSION DISC, 6 MM	FEDERSCHEIBE, GALV. RONDELLE DE SERRAGE	4
13	06080108	SKIVE, M4 WASHER, M4	SCHEIBE, GALV. DISQUE GALV.	2
14	06200103	AFSTANDSSTYKKE DISTANCE PIECE	ZWISCHENSTUECK ENTRETOISE	20
15	06200142	AFSTANDSSTYKKE, Ø25 DISTANCE PIECE, Ø25	DISTANZSCHEIBE ENTRETOISE TYPE D TYPE D	4
16	06050971	KØREHANDTAG, Ø25X2X1290 OPERATION HANDLE, Ø25X2X1290	FAHRHANDGRIFF POIGNEE G600P	1
17	06200064	DUPSKO, 25 CAP, 25	KAPPE BOUT	2
18	06061437	DÆKPLADE, GRØN COVER PLATE, GREEN	COUVERCLE, VERTE	1
18	06061456	DÆKPLADE, GRÅ, N830 COVER PLATE, GREY, N830	COUVERCLE, GRIS, N830	1
20	06301904	TRANSFER, 830C TRANSFER, 830C	AUTOCOLLANT, 830C	1
21	06301923	TRANSFERS GERNI TRANSFERS GERNI	KLEBSTREIFEN GERNI AUTOCOLLANT GERNI	1
22	06061438	SIDEPLADE GRØN SIDE PLATE GREEN	SEITENPLATTE, GRÜN PLAQUE DE COTE VERT, 800	1
22	06061457	SIDEPLADE GRÅ, G830 SIDE PALTE GREY, G830	PLAQUE DE COTE GRIS, G830	1

Ramme / Frame / Rahmen / Cadre

830 C

Pos.	Ref. no.	Betegnelse Description	Bezeichnung Description	
23	06070345	SKRUE, 5X35 SCREW, 5X35	SCHRAUBE, P/K, GALV. VIS T/L GALV.	2
24	06080084	MØTRIK, M6 NUT, M6	MUTTER, GALV. ECROU GALVANISE	2
25	06200442	HOLDER FOR PISTOL , R.D.:150598 HOLDER FOR PISTOL , R.D.:150598	SUPPORT POUR PISTOLET	1
26	06200052	SPULERØRSHOLDER LANCE HOLDER	LANZENHALTER PLASTIK SUPPORT LANCE 600P	1
27	06161001	KABELAFLASTNING CABLE RELIEF	DECHARGEMENT DE CABLE	1
28	06160954	KONTRAMØTRIK, 420/21 COUNTER NUT, 420/21	CONTRE-ECROU, 420/21	1
29	06130094	LUFTGUMMIHJUL, 12"X4" AIR RUBBER WHEEL, 12"X4"	LUFTGUMMIRAD ROUE CAOUTC.AIR 600P-PX	4
30	06051037	HJULAKSEL, Ø25X2X197 WHEEL AXLE, Ø25X2X197	ARBRE DE ROUE	4
31	06080075	SPÆNDESKIVE, 45X25.5X1.5 TENSION DISC, 45X25.5X1.5	FEDERSCHEIBE F. RAD, GALV. RONDELLE DE SERRAGE POURUUE	4
32	06070401	UNBRACO SKRUE, M8X40 ALLEN SCREW, M8X40	IMBUSBOLZEN, GALV. BOULON A TETE CYLINDRIQUE GALV.	4
33	06080004	SPÆNDESKIVE, 8.4X17X1,6 TENSION DISC, 8.4X17X1,6	FEDERSCHEIBE, GALV. RONDELLE	4
34	06080038	MØTRIK, M8 NUT, M8	SELBSTSCHLIESSENDE MUTTER, GALV. ECROU	4
35	06040201	BREMSESTANG, Ø10X1000 G830 BRAKE LEVER , Ø10X1000 G830	LEVIER DE FREIN, □ 10X1000 G830	1
36	06061447	LÅSEBESLAG FOR BREMSER LOCK FITTINGS FOR BRAKE	GARNITURE DE SERRURE P. FREINS	1
37	06070435	SKRUE, M6X16 SCREW, M6X16	TAP TITE P/K, GALV. VIS M6X16 2300/2500/2700	2
38	06200288	KUGLE, M10 Ø32 BALL, M10 Ø32	KUGEL, SCHWARZ BOULETTE(NTE) NTE)	1
39	06181005	BØSNING, Ø25X22 SLEEVE, Ø25X22	BUCHSE F. BREMSE G-6000 MANCHON POUR FREINS G-6000	1
40	06070478	PINOLSKRUE, M6X8 POINTED SCREW, M6X8	REITSTOCKSCHRAUBE, ROSTFREI VIS	1



Motor / Motor / Moteur

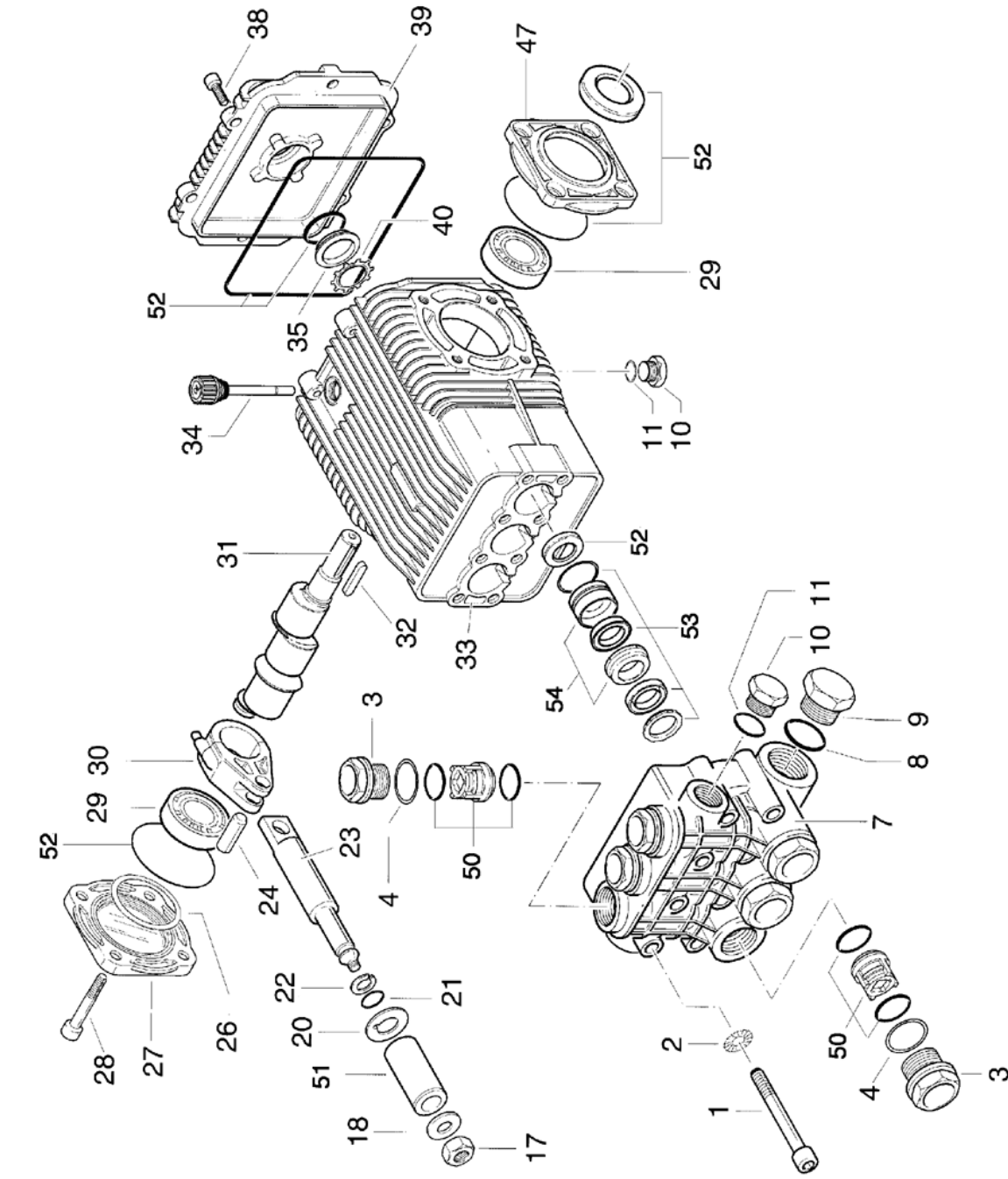
830 C

Pos.	Ref. no.	Betegnelse Description	Bezeichnung Description	
01	06270372	EL-MOTOR, 3X400V-50HZ, 11KW ELECTRIC MOTOR, 3X400V-50HZ, 11KW	MOTEUR ELECTRIQUE, 3X400V-50HZ, 11KW	1
02	06301097	TYPESKILT, 45X65 MM TYPE PLATE, 45X65 MM	TYPESCHILD GRAU AUTOCOLLANT G-480	1
03	06070746	UNBRACO SKRUE, M8X35 ALLEN SCREW, M8X35	IMBUSSBOLZEN, GALV. BOULON A TETE CYLINDRIQUE	4
04	06161052	REDUKTION, 21/16 REDUCTION, 21/16	REDUCTION, 21/16	1
06	06160112	KABELGENNEMFØRING CABLE GROMMET	KABELDURCHFUEHRUNG TRAVERSEE DE CABLE	1
07	06070080	SÆTSKRUE, M10X40 SET SCREW, M10X40	SETZSCHRAUBE GALV. VIS D'ARRET, GALVANISEE	4
08	06080008	SPÆNDESKIVE, 10X19X1,5 TENSION DISC, 10X19X1,5	FEDERSKEIBE, GALV. RONDELLE DE SERRAGE GALVA	8
09	06080043	MØTRIK, M 10 NUT, M 10	SELBSTSCHLIESSENDE MUTTER, GALV. ECROU INDESERRABLE	4
10	06360597	PUMPE KOMPLET, 1.1KW PUMP CPL., 1.1KW 30L X 200BAR	POMPE 30 LITRES -210 BARS	1
11	06030830	VINKELSTUDS, 3/8" X 3/8" ANGLE SOCKET, 3/8" X 3/8"	RACCORD EQUERRE, 3/8" X 3/8"	1
12	06030548	REDUKTIONSNIPPEL, 1/4"X3/8" REDUCING NIPPLE, 1/4"X3/8"	REDUZIERNIPPEL RACCORD DE REDUCTION	1
13	06220053	MANOMETER, 0 - 300 BAR PRESSURE GAUGE, 0 - 300 BAR	MANOMETRE G830	1
20	06110523	SLANGE HOSE	HOCHDRUCKSCHLAUCH TUYAU HP POMPE/CHAUDIERE	1
21	06120563	O-RING, 24 X 2.5 O-RING, 24 X 2.5	JOINT TORIQUE, 24 X 2.5	1
22	06181490	TILGANGSNIPPEL 3/4"-1" INLET NIPPLE 3/4"/1"	EINLASSNIPPEL 3/4"-1" RACCORD DE ENTREE, 3/4"-1"	1
23	06100364	VANDFILTER WATER FILTER	FILTER F. WASSEREINLASS FILTRE A EAU	1
24	06080253	LASERING LOCKING RING	JOINT D'ARRET	1
25	06030829	VANDSLANGEFORSKRUNING, F/VANDTILGANG, 1" X WATER HOSE COUPLING, FOR WATER CON., 1" X 3/4"	RACCORD DE TUYAU	1
26	06120385	USITRING, 24X16,7X1,5 USIT RING, 24X16,7X1,5	USITRING JOINT D'ETANCHEITE G-4000	2
27	06030147	BTR-NIPPEL, GALV 3/8"E BTR NIPPLE, GALV 3/8"	BTR-NIPPEL, GALV. BTR RACCORD	1
28	06100392	TRYKAFLASTNINGSVENTIL, 4000C/M VALVE FOR PRESSURE RELIEF, 4000C/M	VANNE P. DECHARGEMENT DE PRES., 4000C/M	1
29	06262213	TRYKAFLASTNINGSVENTILSKIT, 830A KIT FOR VALVE FOR PRESSURE RELIEF, 830A	KIT P. VANNE P. DECHARG. DE PRES., 830A	1

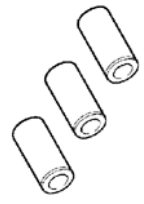
Motor / Motor / Motor / Moteur

Pos.	Ref. no.	Betegnelse Description	Bezeichnung Description	830 C
31	06180441	SKRUEKOBLING HAN, 22X35 SCREW COUPLING MALE, 22X35	SCHRAUBENKUPPLUNG MAENNLICH RACCORD SORTIE HP	1
32	06030472	PROP MESSING, 1/4" BRASS PLUG, 1/4"	PFROPFEN MESSING BOUCHON	1
33	06030828	FORSKRUNING, 12-1/4" SCREWED CONNECTION, 12-1/4"	RACCORD A VIS, 12-1/4"	1

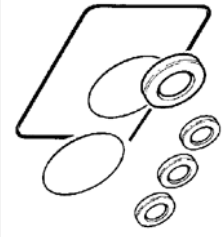
Pumpe / Pump / Pumpe / Pomp



50



51



52



53



54

Pumpe / Pump / Pumpe / Pomp

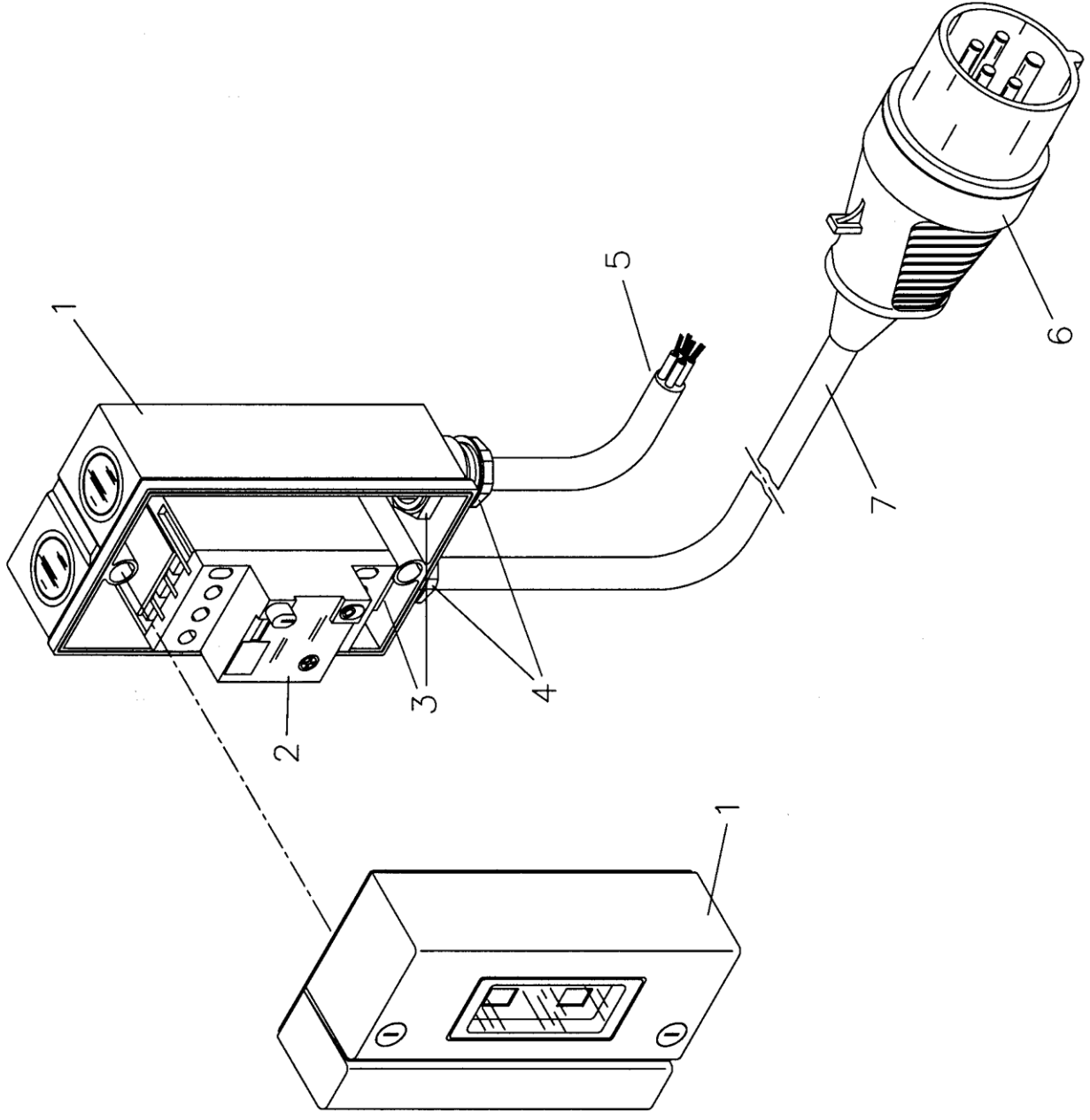
830 C

Pos.	Ref. no.	Bezeichnung Description	830 C
01	06401206	SKRUE SCREW	8
02	06401207	SKIVE WASHER	8
03	06401208	PROP PLUG	6
04	06401209	TÆTNINGSSKIVE SEALING RING	6
07	06401210	PUMPEHUS PUMP HOUSING	1
08	06401211	O-RING O-RING	1
09	06401212	PROP PLUG	1
10	06401213	PROP PLUG	2
11	06401214	O-RING O-RING	2
17	06401215	MØTRIK NUT	3
18	06401216	SKIVE WASHER	3
20	06401217	AFSTANDSSKIVE SPACER	3
21	06401218	O-RING O-RING	3
22	06401219	TÆTNINGSSKIVE SEALING RING	3
23	06401220	STEMPELARM GUIDING PISTON	3
24	06401221	STEMPELSTIFT PISTON PIN	2
26	06401222	SCHIMS, 0,10 MM SHIM, 0,10 MM	1
26	06401223	SCHIMS, 0,19 MM SHIM, 0,19 MM	1
26	06401224	SCHIMS, 0,25 MM SHIM, 0,25 MM	1
27	06401225	SIDE D/EKSEL CLOSED SIDE COVER	1
28	06070746	UNBRACO SKRUE, M8X35 ALLEN SCREW, M8X35	4
29	06401226	LEJE BEARING	2

Pumpe / Pump / Pumpe / Pomp

830 C

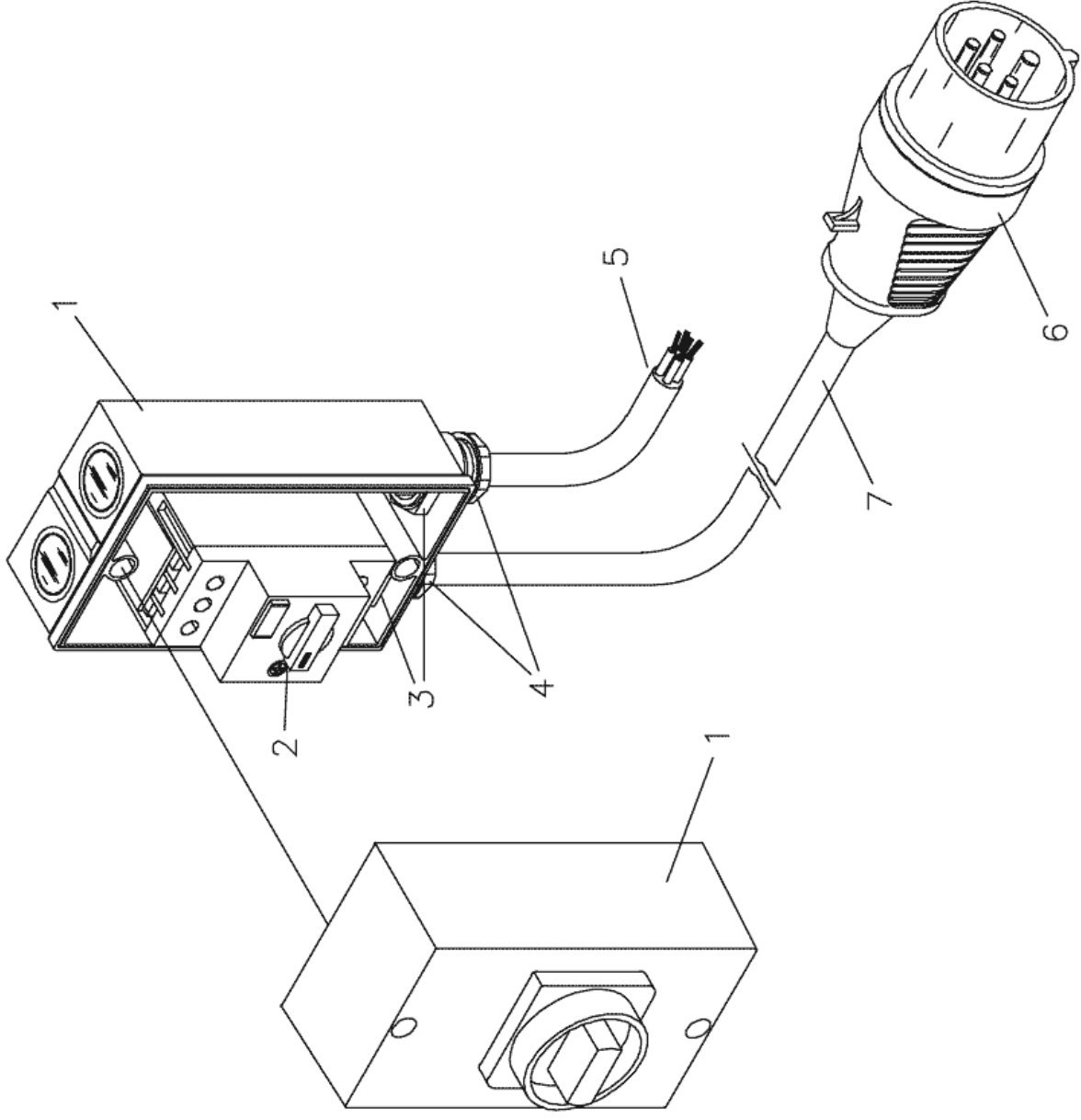
Pos.	Ref. no.	Betegnelse Description	Bezeichnung Description
30	06401227	MEDBRINGER CON ROD	BIELLE
31	06401228	KRUMTAP CRANK	VILEBREQUIN
32	06401229	NOT KEY	LANGUETTE
33	06401230	PUMPE HUS PUMP HOUSING	CORPS POMPE G830
34	06401231	OLIE PIND OIL CAP	BOUCHON CHARGE HUILE
35	06401232	OLIE INDIKATOR OIL INDICATOR	NIVEAU HUILE
38	06070093	SKRUE, M6X16 SCREW, M6X16	IMBUSSCHRAUBE BOULON A TETE CYLINDRIQUE
39	06401233	ENDE DÆKSEL REAR COVER	COUVERCLE POSTERIEUR
40	06401234	LÅSERING LOCKING RING	JOINT D'ARRET
47	06401235	ÅBEN SIDE DÆKSEL OPEN SIDE COVER	COUVERCLE LAT. OUVERT
51	06401202	STEMPELKIT 3 STK., 830 Ø22 PISTON KIT 3 PCS., 830 Ø22	KIT PISTONS G 830(QT 3)
52	06401203	OLIETÆTNINGSKIT, Ø22 KIT FOR OIL SEALS, Ø22	KIT BAGUES G 830
53	06401204	VAND TÆTNINGSKIT, Ø22 KIT FOR WATER SEALS, Ø22	KIT COUPELLES G 830
54	06401205	STEMPELFOREINGSKIT, Ø22 KIT FOR PISTONS GIUDE, Ø22	KIT GUIDE PISTONS G 830



EI-komponenter / Electric components 830C MkI / Elektrische komponente / Composantes électrique

830 C

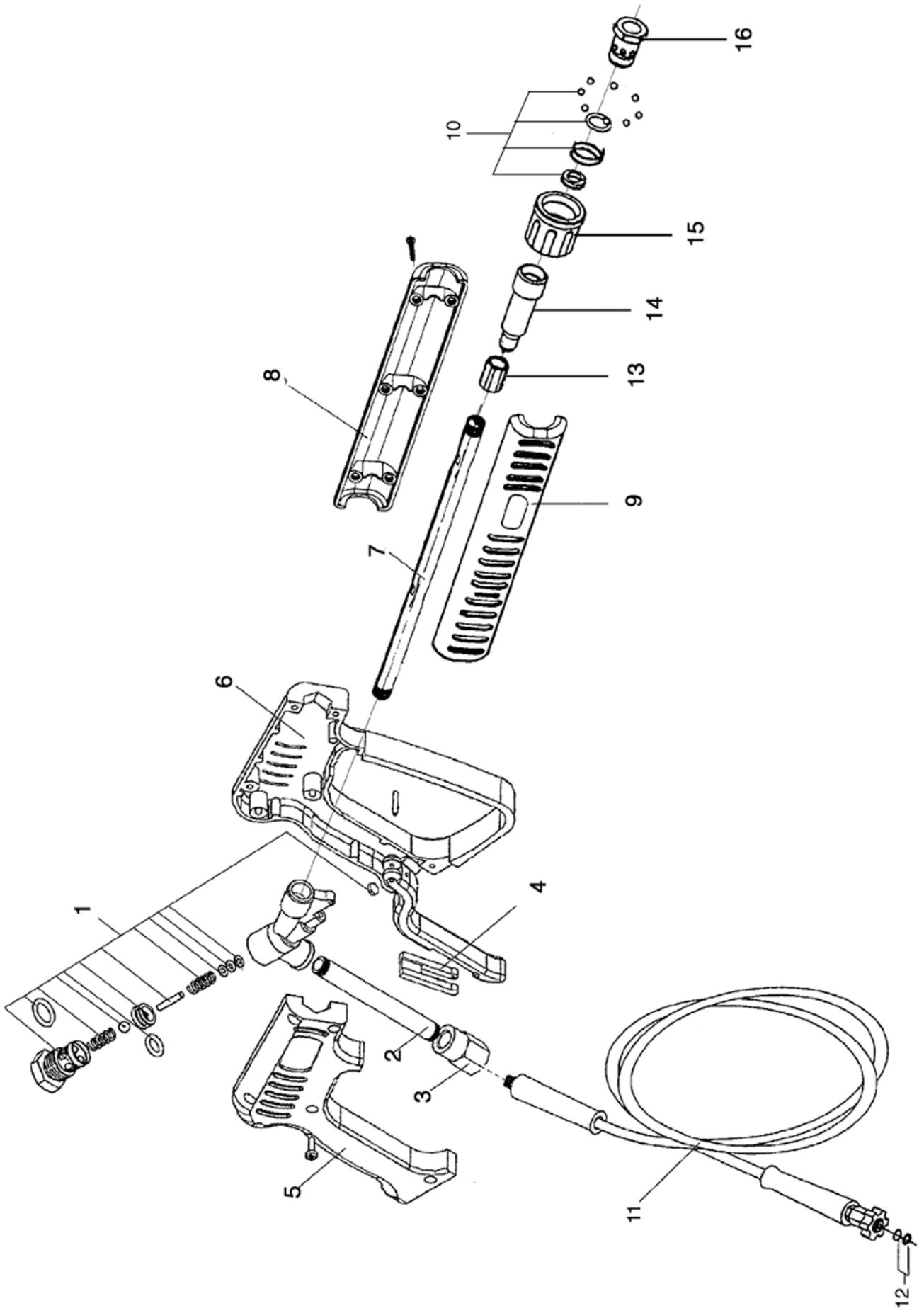
Pos.	Ref. no.	Betegnelse Description	Bezeichnung Description	
01+02	06262513	MOTOR/VÆRN INCL. KASSE MAN MOTOR PROTECT. W. BOX	MOTORSCHÜTZ MIT KASTEN PROTECT.MOTEUR AVEC BOITE	1
03	06160117	KONTRAMØTRIK, M16 COUNTER NUT, M16	GEGENMUTTER CONTRE-ECROU	2
04	06160112	KABELGENNEMFØRING CABLE GROMMET	KABELDURCHFUEHRUNG TRAVERSEE DE CABLE	2
06	06160946	EL-STIK, 400V CEE5 32 ELECTRIC PLUG, 400V CEE5 32	STECKER PRISE ELECTRIQUE CEE	1



EI-komponenter / Electric components 830C MkII / Elektrische komponente / Composantes électrique

830 C

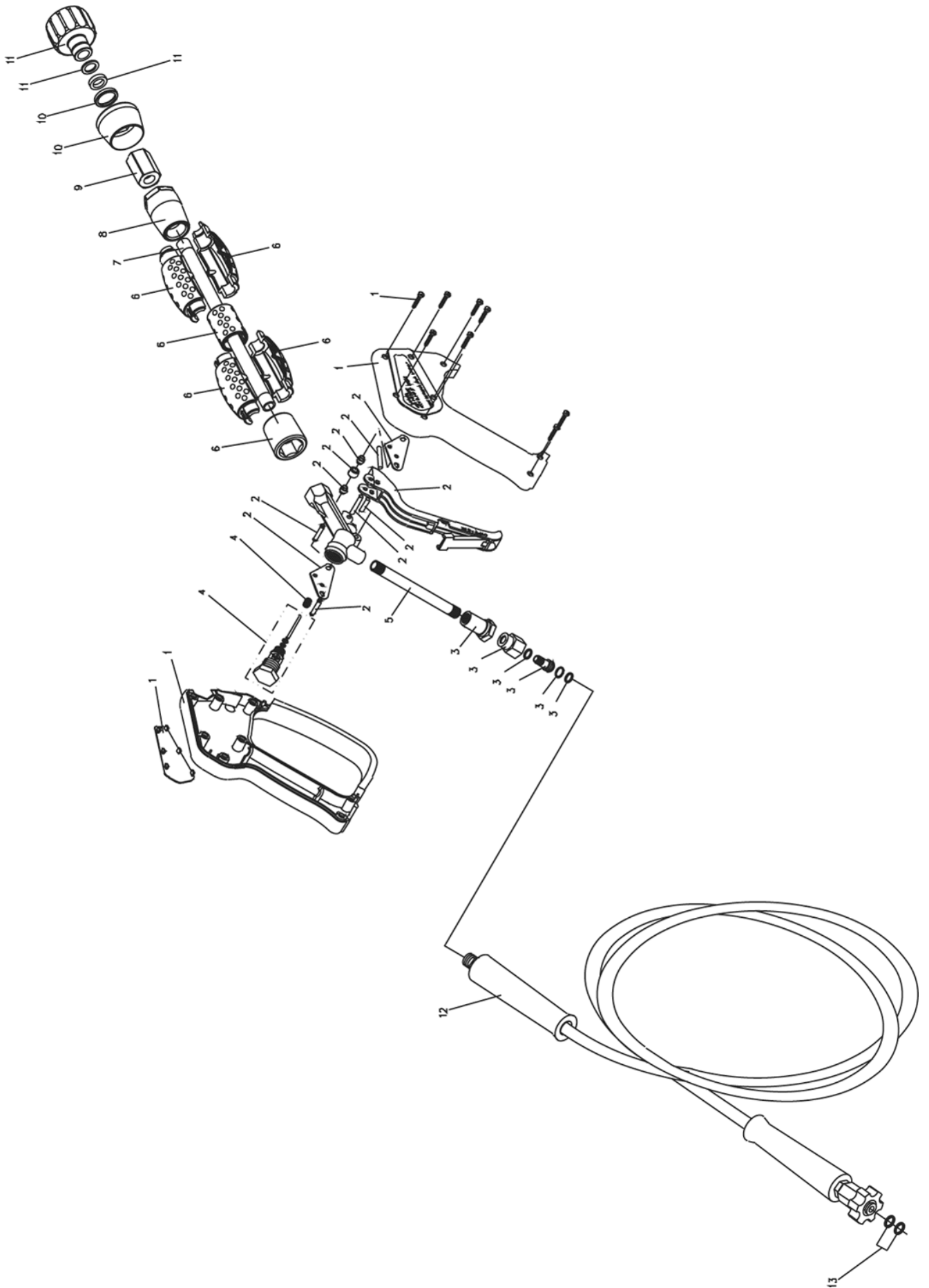
Pos.	Ref. no.	Betegnelse Description	Bezeichnung Description	
01	06200575	ELKASSE ELECTRIC BOX	BOITE ELECTRIQUE	1
02	06161101	MOTORVÆRN MANUAL MOTOR PROTECTION,	MOTORSCHÜTS HANDBEDIENTER PROTECTION MOTEUR OPE. MA	1
03	06160117	KONTRAMØTRIK, M16 COUNTER NUT, M16	GEGENMUTTER CONTRE-ECROU	1
04	06160112	KABELGENNEMFØRING CABLE GROMMET	KABELDURCHFUEHRUNG TRAVERSEE DE CABLE	1
06	06160946	EL-STIK, 400V CEE5 32 ELECTRIC PLUG, 400V CEE5 32	STECKER PRISE ELECTRIQUE CEE	1



Pistol / Pistol / Pistole / Pistolet

830 C

Pos.	Ref. no.	Betegnelse Description	Bezeichnung Description
0	06290080	PISTOL LANG M. QUICK PISTOL WITH QUICK COUPLING	PISTOLET 3/8 EME
01	06261543	SERVICEKIT F. PISTOL MTM SERVICE KIT FOR PISTOL , MTM	KIT F. PISTOLE MTM KIT DE SERVICE P.PISTOLET
02	06050981	TILGANGSRØR INLET PIPE	EINLASSROHR F. PISTOL TUBE D'ENTREE PISTOLET
04	06200384	SIKKERHEDSPAL SAFETY LOCK	SPERRVORRICHTUNG ARRET DE SURETE MTM
05	06200420	PISTOLKROP PISTOL HOUSING	PISTOLKÖRPER RECHTS CORPS DE PISTOLET
06	06200421	PISTOLKROP PISTOL HOUSING	PISTOLKÖRPER LINKS CORPS DE PISTOLET
07	06051045	FORRØR FOR PISTOL FRONT PIPE FOR PISTOL	TUBE AVANT PISTOLET290080
08	06200525	KAPPE CAP	CACHE TUBE PISTOLET290080
09	06200524	KAPPE CAP	CACHE TUBE PISTOLET290080
10	06262246	KIT FOR LYNKOBLING KIT FOR QUICK COUPLING	KIT JOINTS RACCORD RAPIDE
11	06110200	HØJTRYKSSLANG DN10X10M HIGH PRESSURE HOSE, 3/8"X3/8" NIPPLE, Ø10 MM 10 M	HOCHDRUCKSCHLAUCH FLEXIB.HP 10M-DIAMETRE 10
12	06260936	PAKINGSKIT F. SKRUEKOB. GASKET KIT FOR SCREW COUPLING	DICHTUNGSKIT F. SCHRAUBENKUPPLUNG KIT JOINT RACCORD VIS
13	06262287	MUFFE, 1/4"-1/4" SOCKET, 1/4"-1/4"	MANCHON P/PISTOLET 290080
14	06262286	KOBLING COUPLING	RACCORD VIS P/PISTOLET
15	06262284	OMLØBER COUPLING NUT	ECROU D/RACCORD P/PISTOLE
16	06262285	KOBLING COUPLING	RACCORD P/PISTOLET 290080

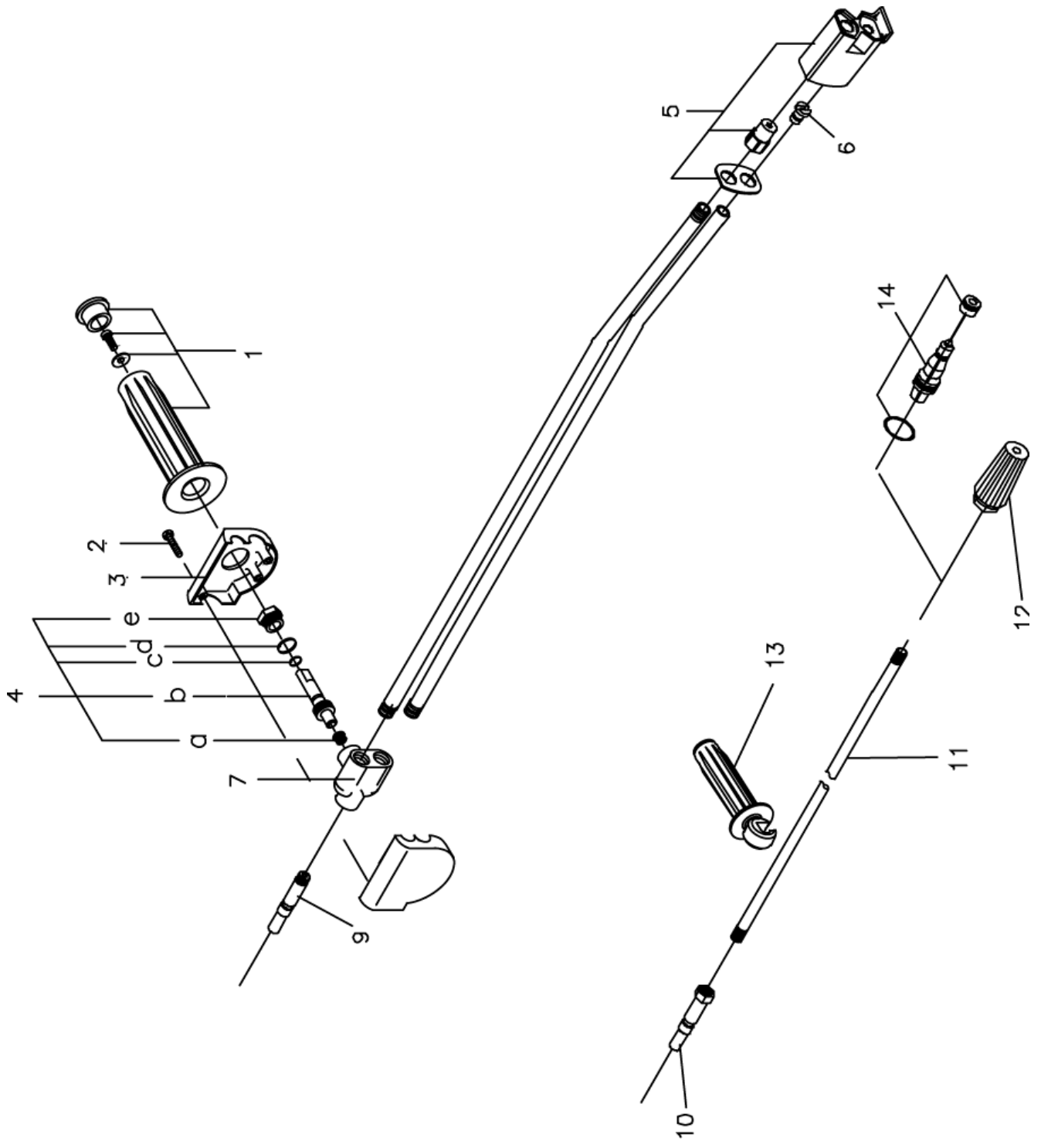


Pistol / Pistol / Pistole / Pistolet

830 C

Pos.	Ref. no.	Betegnels Description	Bezeichnung Description	
0	06290111	PISTOL - EGT 2600 - LANG MED SWIVEL, LYNKOBLING PISTOL - EGT 2600 - LONG W. SWIVEL, QUICK COUP.	PISTOLET EGT2600 RAC.RAPI	1
0	06290121	O-RINGSKIT FOR PISTOL O-RING KIT FOR PISTOL	JOINT A LEVRE .P/290111	1
01	06290119	PISTOLKROP KPL. PISTOL HOUSING CPL.	CORPS PISTOLET 290111	1
02	06290120	AFTRÆKKER KIT PULLER KIT	KIT DETENTE P/PIST.290111	1
03	06290122	DREJELED, KPL. SWIVEL, CPL.	JOINT TOURN.P/PIST.290111	1
04	06290123	VENTIL KPL. VALVE CPL.	VANNE P/PISTOLET 290111	1
05	06290124	TILGANGSRØR INLET PIPE	TUYAU D'ENTREE P/290111	1
06	06290125	KAPPEKIT CAP KIT	PROTECTION P/290111	1
07	06290126	FORRØR FOR PISTOL FRONT PIPE FOR PISTOL	TUBE AVANT P/PISTOL.290111	1
08	06290127	AFSTANDSSTYKKE DISTANCE PIECE	ENTRETOISE P/PISTOL290111	1
09	06290128	MUFFE SOCKET	MANCHON P/PISTOL 290111	1
10	06290129	AFSTANDSSTYKKE DISTANCE PIECE	ENTRETOISE P/PISTOL290111	1
11	06290130	LYNKOBLING KPL. QUICK COUPLING CPL.	RACCORD RAPID.PIST.290111	1
12	06110200	HØJTRYKSSLANG DN10X10M HIGH PRESSURE HOSE, 3/8"X3/8" NIPPLE, Ø10 MM 10 M	HØHDRUCKSCHLAUCH FLEXIB.HP 10M-DIAMETRE 10	1
13	06260936	PAKNINGSKIT F. SKRUEKOB. GASKET KIT FOR SCREW COUPLING	DICHTUNGSKIT F. SCHRAUBENKUPPLUNG KIT JOINT RACCORD VIS	1

Spulerør / Lances / Lanzen / Lance



Spulerør / Lances / Lanzen / Lance

830 C

Pos.	Ref. no.	Betegnelse Description	Bezeichnung Description
01	06260232	HANDTAGSKIT F. SPULERØR HANDLE KIT	HANDGRIFFKIT F. DOPPELLANZE KIT REPAR./POIGNEE LANCE
02	06070772	SKRUE, 3,5X20 SCREW, 3,5X20	SCHRAUBE VIS 3,5X20
03	06200097	PYNTEDÆKSEL F. VENTILHUS COVER F. VALVE HOUSING	STaubKAPPE F. VENTILGEHAE COUVERCLEOR. D. VAN OR. D. VAN
04	06260860	VENTILSPINDEL KIT VALVE SPINDLE KIT	VENTILSPINDELKIT F. DRUCKREGELUNG KIT REGLAGE PRESSION DOUB
04A	06120006	O-RING, 6,75X1,78 O-RING, 6,75X1,78	O-RING JOINT TORIQUE MAT 4470
04B	06120010	O-RING, 13,1X1,6 O-RING, 13,1X1,6	O-RING JOINT TORIQUE MAT 4470
04C	06190245	MØTRIK NUT	MUTTER F. VENTIL ECROU POUR VANNE DOUB.LAN
05	06262201	SPECTRUM KIT, 200 SPECTRUM KIT, 200	KIT SPECTRUM 10.00
09	06030649	LYNKOBLING 1/4 UDV. QUICK COUPLING, 1/4"	SCHNELLKUPPLUNG RACCORD RAPIDE
0A	06261957	SPECTRUM 600MM U/TRYKDYSE SPECTRUM W. PRES. REG. - SCREW - 600 MM,	SPECTRUM OHNE DÜSE - 600 MM SPECTRUM SANS GICLEUR - 600 MM
0A	06262198	SPECTRUM M/ TRYKREG. - LYN - 600 MM, 200 SPECTRUM W. PRES. REG. - QUICK - 600 MM, 200	SPECTRUM 600/GICLEUR 10,0
0B	06262130	ROTO JET M/ LYN - 600 MM, 10,0 ROTO JET - QUICK - 600 MM, 10,0	LANCE ROTO JET RAPIDE 100
10	06030827	NIPPEL QUICK-1/4" INDV. NIPPLE, 1/4"	RACCORD RAPIDE 1/4" INTER
11	06050841	SPULERØR LIGE, Ø13X1,5X586 LANCE STRAIGHT, Ø13X1,5X586	LANZE GERADE TURBO LASER LANCE DROITE TURBO LASER
12	06262141	ROTO JET DYSE KPL., 10,0 ROTO JET NOZZLE CPL., 10,0	GICLEURROTOCPL10=262477
13	06260365	HANDGRIEB TIL ROT. BØRSTER OG ENKELT LANSERØR, HANDLE FOR ROTATING BRUSHES AND SINGLE	HANDGRIFF POIGNEE DE MAINTIEN LANCE
14	06262228	ROTO DYSE KIT, 10,0 ROTO JET NOZZLE KIT, 10,0	KIT POUR GICLEUR ROTO 100