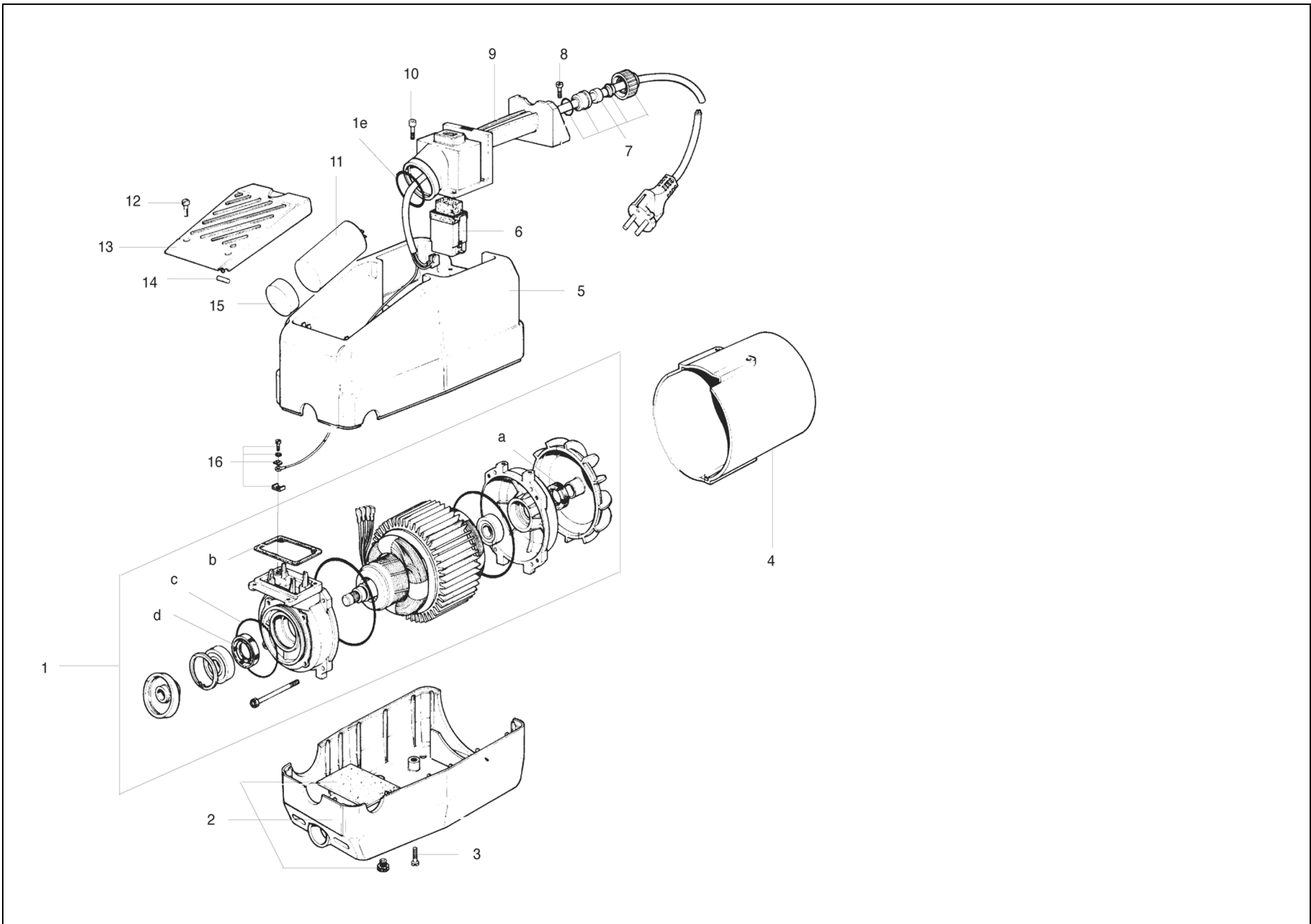

N/G-Compact

Reservedelssliste
Spare parts list
Ersatzteilliste
Liste de pièces détachées

Karosse / Motor / Body/motor / Karosserie / Motor / Carrosserie / Moteur	2
Pumpe / Pump / Pumpe / Pomp	5
Pistol/Spulerør/Slange / Pistol/lance/Hose / Pistole/Lanze/Schlauch / Pistolet/Lance/Tuyau	8

Karosse / Motor / Body/motor / Karosserie / Motor / Carrosserie / Moteur



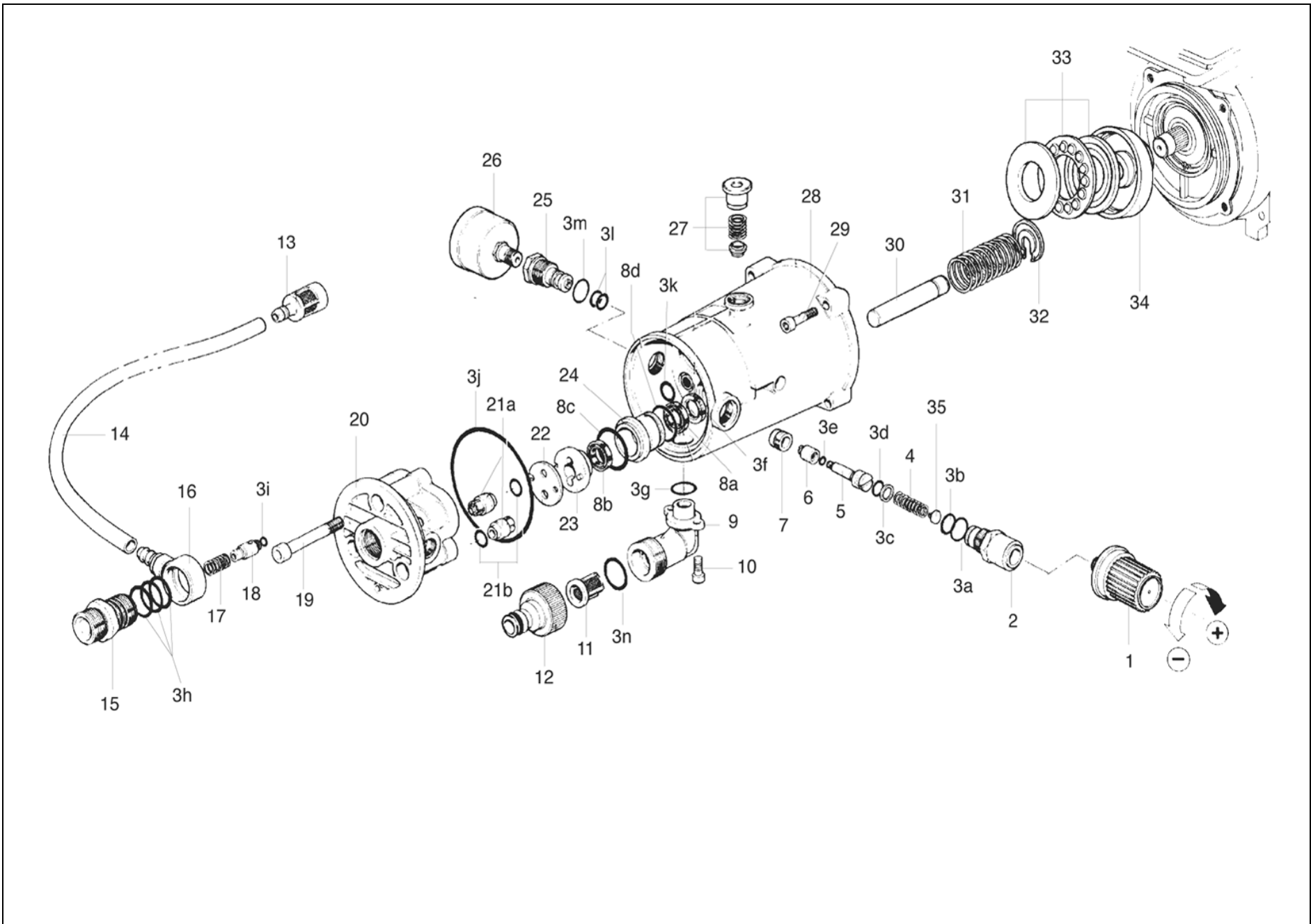
Karosse / Motor / Body/motor / Karosserie / Motor / Carrosserie / Moteur

Pos.	Ref. no.	Beteanelse Description	Bezeichnung Description	Compact Classic
0	06301646	TRANSFER "NILFISK COMPACT" TRANSFERS "NILFISK COMPACT"	TRANSFERNES N-COMPACT AUTOCOLLANT "NILFISK COMPACT"	1
01	06400231	MOTOR, KPL., 220-240V 50HZ MOTOR, CPL., 220-240V 50HZ	MOTOR KPL. MOTEUR, CPL., 220-240V 50HZ	1
01	06400233	MOTOR, KPL., 115V 60HZ MOTOR, CPL., 115V 60HZ	MOTEUR, CPL., 115V 60HZ	1
01	06400236	MOTOR, KPL., 100V 50/60HZ MOTOR, CPL., 100V 50/60HZ	MOTOR KPL. 100V 60 HZ MOTEUR, CPL., 100V 50/60HZ	1
02	06401071	KAROSSE UNDERPART, KPL. BODY UNDER PART, CPL.	KAROSSERIE UNTERTEIL CARROSSE PARTIE INFERIEURE, CPL.	1
03	06401069	SKRUE, 5X16 SCREW, 5X16	SCHRAUBE COMPACT VIS, 5X16	8
04	06401068	SKJOLD FOR MOTOR, COMPACT BODY FOR MOTOR, COMPACT	KAROSSERIE F. MOTOR BOUCLIER POUR MOTEUR, COMPACT	1
05	06400242	KAROSSE OVERPART GRÅ, N COMPACT BODY UPPER PART GREY, N COMPACT	KAROSSERIE N-COMPACT CARROSSE, PARTIE SUPERIEURE GRIS, N COMPACT	1
05	06401075	KAROSSE OVERPART, COMPACT BODY UPPER PART, COMPACT	KAROSSERIE OBERTEIL CARROSSE, PARTIE SUPERIEURE, COMPACT	1
06	06400235	START/STOP KONTAKT, 60 HZ START/STOP SWITCH , 60 HZ	START/STOPPSCHALTER 60HZ CONTACTEUR MISE EN MARCHE, 60 HZ	1
06	06401079	START/STOP KONTAKT 50HZ START/STOP SWITCH , 50 HZ	START/STOP SCHALTER CONTACTEUR MISE EN MARCHE, 50 HZ	1
07	06400237	ELKABEL INCL. STIK , *DK ELECTRIC CABLE INCL. PLUG, *DK	CABLE ELEC. PRISE INCLUSE , *DK	1
07	06400238	ELKABEL INCL. STIK , *GB ELECTRIC CABLE INCL. PLUG, *GB	CABLE ELEC. PRISE INCLUSE , *GB	1
07	06400239	ELKABEL INCL. STIK , SCHUCO ELECTRIC CABLE INCL. PLUG, SCHUCO	CABLE ELEC. PRISE INCLUSE , SCHUCO	1
08	06401062	SKRUER SELVSKÆRENDE, 4X16 SELF-CUTTING SCREWS, 4X16	SCHRAUBEN SELBSTSCHNEIDENE COMPACT VIS INDESSERABLE, 4X16	2
09	06401061	BÆREHÅNDTAG CARRIER HANDLE	TRAGHANDGRIFF POIGNEE DE SUPPORT	1
10	06401034	UNBRACO SKRUE, M5X16 ALLEN SCREW, M5X16	IMBUSS-SCHRAUBE COMPACT VIS A TETE CYLINDRIQUE, M5X16	4
11	06400234	KONDENSATOR, 80 ÅF CAPASITOR, 80 µF	KONDENSATOR 80 MF CONDENSATEUR, 80 ÅF	1
11	06401077	KONDENSATOR, 25 ÅF CAPASITOR, 25 µF	KONDENSATOR CONDENSATEUR, 25 ÅF	1
12	06401073	SKRUE, 4X22 SCREW, 4X22	SCHRAUBE COMPACT VIS, 4X22	2
13	06401059	PLADE FOR FODKONTAKT, COMPACT PLATE FOR PEDAL SWITCH, COMPACT	PLATTE F. FUSSHEBEL PLAQUE P. CONTACT A PIED, COMPACT	1
14	06401058	STIFT FOR FODKONTAKT PIN FOR PEDAL SWITCH	STIFT F. TIPPSCHALTER CHEVILLE P. CONTACT A PIED	1

Karosse / Motor / Body/motor / Karosserie / Motor / Carrosserie / Moteur

Pos.	Ref. no.	Beteanelse Description	Bezeichnung Description	Compact Classic
15	06401076	AFSTANDSSTYKKE KONDENSATOR DISTANCE PIECE CAPACITOR	ZWISCHENSTUECK KONDENSATOR ENTRETOISE, CONDENSATEUR	1
16	06160935	MONTERINGSSÆT JORDLEDNING	MONTIERUNGSSATZ ERDLEITUNG JEU DE MONTAGE FIL TERRE NG-208	1
1A - E	06261671	KIT O-RINGE+PAKNING, COMPACT KIT O-RINGS+GASKET, COMPACT	O-RING KIT COMPACT MOTOR KIT JOINTS TORIQUES+JOINTS , COMPACT	1

Pumpe / Pump / Pumpe / Pomp



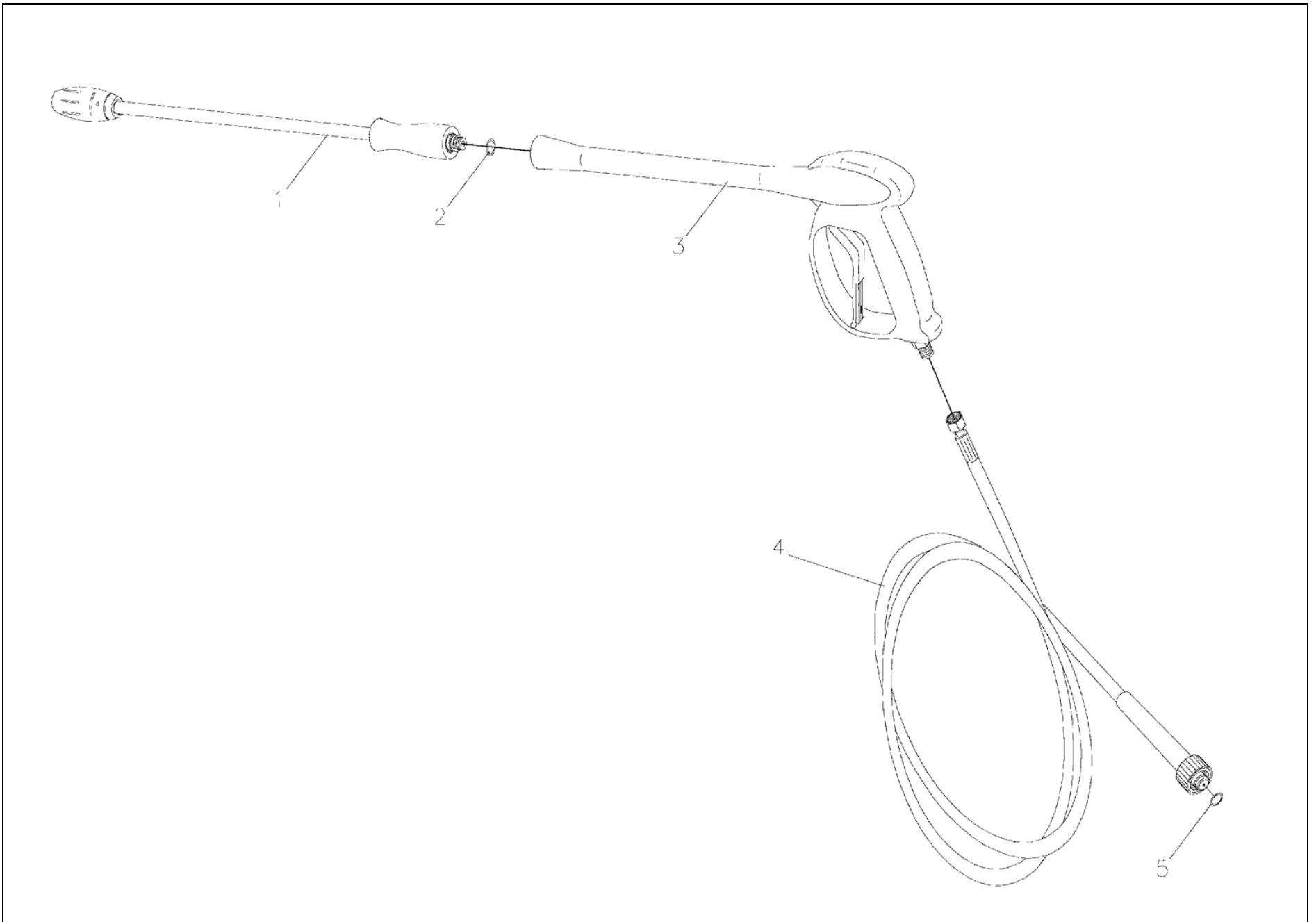
Pumpe / Pump / Pumpe / Pomp

Pos.	Ref. no.	Beteenelse Description	Bezeichnung Description	Compact Classic
01	06401028	REGULERINGSHÅNDTAG REGULATING HANDLE	REGULIERHANDGRIFF POIGNÉE DE REGLAGE	1
02	06401029	NIPPEL NIPPLE	NIPPEL RACCORD	1
04	06280158	FJEDER SPRING	FEDER RESSORT	1
05	06181185	SKRUE SCREW	KOLBEN F. UMLAUFVENTIL VIS	1
06	06181195	KEGLE FOR OMLØBSVENTIL CONE FOR BY-PASS VALVE	KEGEL F. UMLAUFVENTIL CÔNE P. VANNE BY-PASS	1
07	06261730	SÆDE FOR OMLØBSVENTIL, TYPE I+II SEAT FOR BY-PASS VALVE, TYPE I+II	SITZKIT FÜR UMLAUFVENTIL SIEGE, VANNE BY-PASS, TYPE I+II	1
09	06401035	SUGEMANIFOLD, COMPACT SUCTION MANIFOLD, COMPACT	SAUGMANIFOLD COLLECTEUR D'ASPIRATION, COMPACT	1
10	06401034	UNBRACO SKRUE, M5X16 ALLEN SCREW, M5X16	IMBUSS-SCHRAUBE COMPACT VIS A TÊTE CYLINDRIQUE, M5X16	2
11	06100368	FILTER FILTER	WASSERFILTER FILTRE	1
12	06401292	LYNKOBLING HAN, 3/4" QUICK COUPLING MALE, 3/4"	RACCORD RAPIDE MALE , 3/4"	1
13	06100348	KEMIFILTER, G208 DETERGENT FILTER, G208	REINIGUNGSMITTELFILTER KPL. G-208 FILTRE DE DETERGENT , G208	1
14	06401004	KEMISLANGE DETERGENT HOSE	REINIGUNGSMITTELSCHLAUCH TUYAU DE DETERGENT	1
15	06401003	AFGANGSSTUDS, COMPACT OUTLET SOCKET, COMPACT	AUSLASSTUTZEN RACCORD DE DEPART, COMPACT	1
16	06401006	KEMIFLANGE, COMPACT DETERGENT FLANGE, COMPACT	REINIGUNGSMITTELFANSCH BRIDE DE DETERGENT, COMPACT	1
17	06401007	FJEDER SPRING	KOLBEN RESSORT	1
18	06181196	KONTRAVENTIL NON-RETURN VALVE	KEGEL F. INJEKTORUESE VANNE ANTI-RETOUR	1
19	06401009	UNBRACO SKRUE ALLEN SCREW	IMBUSS-BOLZEN VIS A TÊTE CYLINDRIQUE	3
20	06401010	TOPSTYKKE, COMPACT CYLINDER HEAD, COMPACT	ZYLINDERKOPF CULASSE DE CYLINDRE , COMPACT	1
21	06261403	KIT VENTILER KIT VALVES	KITT F. VENTILE G-208 KIT VANNES	1
22	06401040	VENTILSKIVER VALVE DISCS	VENTILSCHEIBEN DISQUES POUR VANNE	3
23	06401015	AFSTANDSSTYKKE DISTANCE PIECE	ZWISCHENSTUECK ENTRETOISE	3
24	06401016	MANCHETHOLDER CUP HOLDER	MANSCHETTENHALTER SUPPORT DE COUPELLE	3

Pumpe / Pump / Pumpe / Pomp

Pos.	Ref. no.	Beteenelse Description	Bezeichnung Description	Compact Classic
25	06401018	MANOMETERNIPPEL PRESSURE GAUGE NIPPLE	MANOMETERNIPPEL RACCORD DE MANOMETRE	1
26	06401017	MANOMETER, COMPACT PRESSURE GAUGE, COMPACT	MANOMETER MANOMETRE, COMPACT	1
27	06401046	OVERTRYKSVENTIL POSITIVE PRESSURE VALVE	UEBERDRUCKVENTIL VANNE DE SURPRESSION	1
28	06401019	STEMPELSTYR, COMPACT PISTON GUIDE, COMPACT	KOLBENFUEHRUNG GUIDE PISTON, COMPACT	1
29	06401044	UNBRACO SKRUE, M6X22 ALLEN SCREW, M6X22	IMBUSS-BOLZEN COMPACT VIS A TETE CYLINDRIQUE, M6X22	4
30	06401020	STEMPEL, COMPACT PISTON, COMPACT	KOLBEN PISTON, COMPACT	3
31	06401021	TILHOLDERFJEDER, COMPACT PRESSURE SPRING, COMPACT	DRUCKFEDER RESSORT DE PRESSION, COMPACT	3
32	06401025	FJEDERHOLDER SPRING HOLDER	KOLBENHALTER SUPPORT DE RESSORT	3
33	06401022	SKRÅSKIVELEJE INCLINED DISC BEARING	BOGENSCHEIBELAGER BUTEE P. DISQUE INCLINE	1
34	06400241	SKRÅSKIVE CAM DISC 115V 60HZ	BOGENSCHEIBE 115V 60HZ	1
34	06401047	SKRÅSKIVE, 2230/240V 50 HZ CAM DISC, 2230/240V 50 HZ	BOGENSCHEIBE DISQUE INCLINÉ, 2230/240V 50 HZ	1
35	06401026	AFSTANSSKIVE M/STYR ADJUSTING WASHER WITH GUIDE	DISTANZSCHEIBE MIT STEUER RONDELLE DE REGLAGE A. GUIDE	1
36	06120182	O-RING, 16X2 O-RING, 16X2	O-RING JOINT TORIQUE, 16X2	1
3A - N	06261652	KIT O-RINGE , COMPACT KIT O-RINGS , COMPACT	O-RING KIT KIT JOINTS TORIQUE , COMPACT	1
8A - D	06261670	MANCHETKIT, COMP. CUP KIT, COMP.	MANSCHETTE KIT COMPACT KIT DE COUPELLE, COMP.	1

Pistol/Spulerør/Slange / Pistol/lance/Hose / Pistole/Lanze/Schlauch / Pistolet/Lance/Tuyau



Pistol/Spulerør/Slange / Pistol/lance/Hose / Pistole/Lanze/Schlauch / Pistolet/Lance/Tuyau

Pos.	Ref. no.	Beteegnelse Description	Bezeichnung Description	Compact Classic
01	06400270	LANSE COMPACT LANCE	LANCE	1
03	06400269	PISTOL, COMPACT AR 970 PISTOL, COMPACT AR 970	PISTOLET, COMPACT AR 970	1
04	06401111	HØJTRYKSSLANGE, COMP. HIGH PRESSURE HOSE, COMP.	HOCHDRUCKSCHLAUCH TUYAU HAUTE PRESSION, COMP.	1
05	06120188	O-RING, 10X2 O-RING, 10X2	O-RING JOINT TORIQUE, 10X2	1
1-3	06261583	PISTOL M. LANSE OG ADAPTER, AR 301 PISTOL W. LANCE AND ADAPTER, AR 301	PISTOLE EINSCHL. LANZE/ZWISCHENSOCKEL PISTOLET A. LANCE ET ADAPTEUR, AR 301	1