

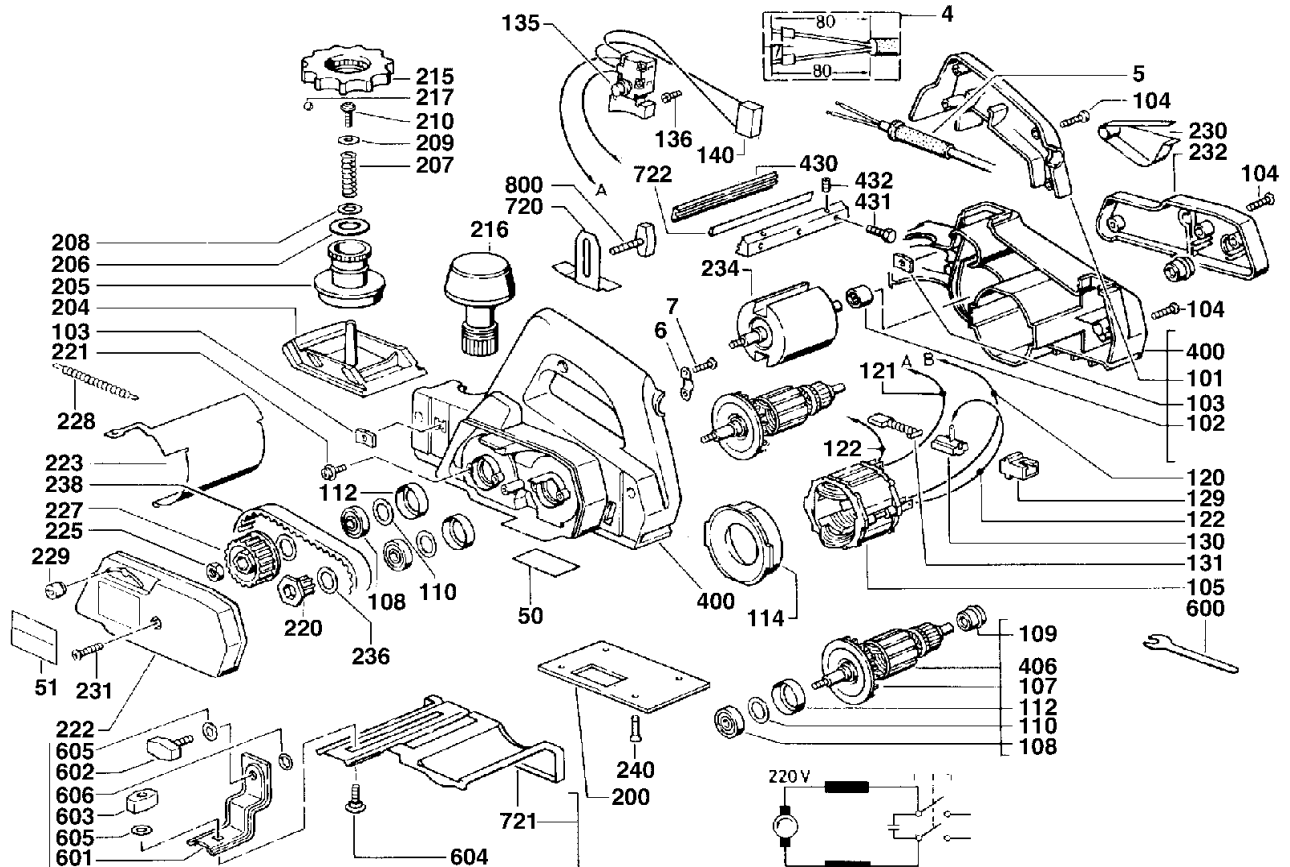
A & M Electric Tools

Ind	Product No.	Type	Voltage	Country
a	4000383826	PR2.5-102	220-240V	IN2
b	4000383826	PR2.5-102	220-240V	IN2

Planers

Milwaukee
PR2.5-102

Exp.view No. Version Date Page
4926 3838 29 0001 11.07.02 1/2



Pos	Index	Quanti	Article No.	Designation	Pos	Index	Quanti	Article No.	Designation
0004	ab.....	1	4931622543	CONNECTION CABLE	0131	ab.....	1	4931392577	CARBON BRUSH SET
0005	ab.....	1	4931206687	CABLE ENTRY SLEEVE	0135	ab.....	1	4931383777	SWITCH
0006	ab.....	1	4931256500	CABLE COLLAR	0136	ab.....	2	4931621772	SCREW
0007	ab.....	2	4931624538	SCREW	0140	ab.....	1	4931622364	CAPACITOR
0050	ab.....	1	4931383834	RATING PLATE	0200	ab.....	1	4931323939	SUPPORTING PLATE
0051	ab.....	1	4931378806	TYPE PLATE	0204	ab.....	1	4931300939	PLATE
0101	ab.....	1	4931383775	HANDLE COVER	0205	ab.....	1	4931300987	CAM PLATE
0102	ab.....	1	4931316297	SLEEVE	0206	ab.....	1	4931622563	DISC
0103	ab.....	2	4931300619	NUT	0207	ab.....	1	4931300995	PRESSURE SPRING
0104	ab.....	1	4931618253	SCREW	0208	ab.....	1	4931939634	DISC
0105	ab.....	1	4931316600	ELECTRIC FIELD	0209	ab.....	1	4931622042	SEALING WASHER
0107	ab.....	1	4931303334	FAN	0210	ab.....	1	4931618253	SCREW
0108	ab.....	1	4931341740	GROOVED BALL BEAR.	0215	ab.....	1	4931330171	SET WHEEL
0109	ab.....	1	4931308595	RUBBER SLEEVE	0216	ab.....	1	4931300941	HANDLE
0110	ab.....	1	4931941067	DISC	0217	ab.....	1	4931805413	BALL
0112	ab.....	1	4931301483	RUBBER SLEEVE	0220	ab.....	1	4931316881	WASHER
0114	ab.....	1	4931300986	AIR DEFLECTOR RING	0221	ab.....	4	4931622332	SCREW
0120	ab.....	1	4931622352	WIRE	0222	ab.....	1	4931300985	LID
0121	ab.....	1	4931622353	WIRE	0223	ab.....	1	4931300932	GUARD CAP
0122	ab.....	2	4931253744	WIRE	0225	ab.....	1	4931330505	NUT
0129	ab.....	2	4931317543	BRUSH HOLDER INSUL	0227	ab.....	1	4931300971	WASHER
0130	ab.....	2	4931317547	BRUSH HOLDER	0228	ab.....	1	4931300996	SPRING

Repairs/modification and testing of electric power tools are to be carried out by specialists. The safety regulations according to DIN/VDE/CEE/AFNOR and other regulations valid in the different countries are to be observed.

A & M Electric Tools

Planers

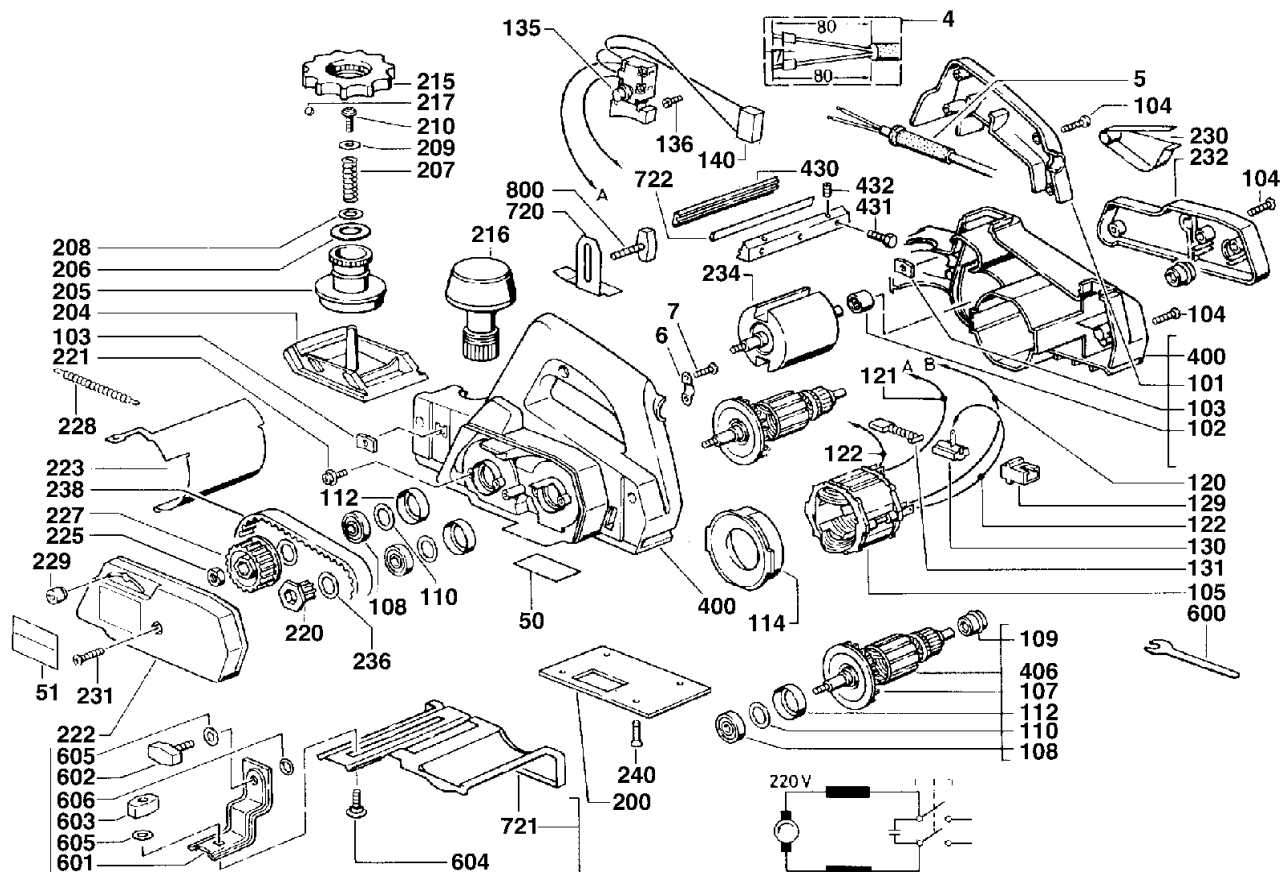
Milwaukee

PR2.5-102

Ind	Product No.	Type	Voltage	Country
a	4000383826	PR2.5-102	220-240V	IN2
b	4000383826	PR2.5-102	220-240V	IN2

Ind	Product No.	Type	Voltage	Country

Exp.view No. Version Date Page
4926 3838 29 0001 11.07.02 2/2



Pos	Index	Quanti	Article No.	Designation
0229	ab.....	1	4931330173	BUTTON
0230	ab.....	1	4931300934	COVER
0231	ab.....	12	4931618253	SCREW
0232	ab.....	1	4931300984	PROTECTIVE CAP
0234	ab.....	1	4931330511	REPAIR KIT
0236	ab.....	1	4931886465	DISC
0238	ab.....	1	4931300967	TOOTHED BELT
0240	ab.....	4	4931620093	SCREW
0400	ab.....	1	4931383836	BODY
0406	ab.....	1	4931316345	ARMATURE
0430	ab.....	1	4931316153	PAIR OF CLAMP.JAW
0431	ab.....	6	4931272618	SCREW
0432	ab.....	4	4931316206	THREADED PIN
0600	ab.....	1	4931606512	KEY
0601	ab.....	1	4931274052	HOLDER
0602	ab.....	1	4931274068	SCREW
0603	ab.....	1	4931276423	KNURLED NUT
0604	ab.....	1	4931617010	SCREW
0605	ab.....	2	4931615511	SEALING WASHER
0606	ab.....	1	4931941082	O-RING
0720	ab.....	1	4932274069	REBATE DEPTH GAUG
0721	ab.....	1	4932274071	PARALLEL GUIDE

Pos	Index	Quanti	Article No.	Designation
0722	ab.....	1	4932316245	REVERSIBLE BLADES
0800	ab.....	1	4931274068	SCREW

Repairs/modification and testing of electric power tools are to be carried out by specialists. The safety regulations according to DIN/VDE/CEE/AFNOR and other regulations valid in the different countries are to be observed.